

# GD54/74HC58, GD54/74HCT58

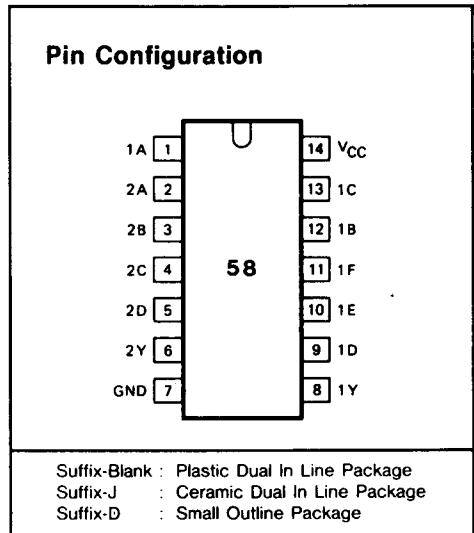
## DUAL AND-OR GATES

### General Description

These devices are identical in pinout to the 54/74LS58. They contain one 2-wide 2-input & one 2-wide 3-input AND-OR gates. These devices are characterized for operation over wide temperature ranges to meet industry and military specifications.

### Features

- Low Power consumption characteristic of CMOS devices
- Output drive capability: 10 LS TTL Loads Min.
- Operating speed superior to LS TTL
- Wide operating voltage range: for HC 2 to 6 volts  
for HCT 4.5 to 5.5 volts
- Low input current:  $1\mu\text{A}$  Max.
- Low quiescent current:  $20\mu\text{A}$  Max. (74HC)
- High noise immunity characteristic of CMOS
- Diode protection on all inputs.



### Logic Symbol

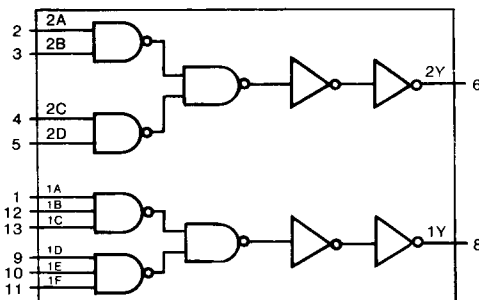


Fig. 1 Logic Symbol

### Function Table

INPUTS		OUTPUT
N*	M*	nY
L	L	L
H	L	H
L	H	H
H	H	H

$N^* = 1A \cdot 1B \cdot 1C$  or  $2A \cdot 2B$   
 $M^* = 1D \cdot 1E \cdot 1F$  or  $2C \cdot 2D$   
 $1Y = 1A \cdot 1B \cdot 1C + 1D \cdot 1E \cdot 1F$   
 $2Y = 2A \cdot 2B + 2C \cdot 2D$

**Absolute Maximum Ratings**

SYMBOL	PARAMETER	CONDITIONS	MIN.	MAX.	UNIT
$V_{CC}$	DC Supply voltage		-0.5	+7	V
$I_{IK}, I_{OK}$	DC input or output diode current	for $V_I < -0.5$ or $V_I > V_{CC} + 0.5V$		20	mA
$I_O$	DC output source or sink current	for $-0.5V < V_O < V_{CC} + 0.5V$		25	mA
$I_{CC}$	DC $V_{CC}$ or GND current			50	mA
$T_{stg}$	Storage temperature range		-65	150	°C
$P_D$	Power dissipation per package	above +70°C: derate linearly with 8mW/K		500	mW
$T_L$	Lead temperature	At distance 1/16 ± 1/32 in. from case for 60 sec(CERAMIC) 10 sec(PLASTIC)		300 260	°C

**Recommended Operating Conditions**

CHARACTERISTIC	LIMITS		UNITS
	MIN.	MAX.	
Supply-Voltage Range $V_{CC}$ : GD54/74HC Types GD54/74HCT Types	2 4.5	6 5.5	V
DC Input or Output Voltage $V_I, V_O$	0	$V_{CC}$	V
Operating Temperature $T_A$ : GD74 Types GD54 Types	-40 -55	+85 +125	°C
Input Rise and Fall times $t_r, t_f$ : GD54/74HC Types at 2V at 4.5V at 6V GD54/74HCT Types at 4.5V		1000 500 400 500	ns

DC Electrical Characteristics for HC

SYMBOL	PARAMETER	TEST CONDITION	V <sub>CC</sub> (V)	T <sub>A</sub> =25°C			GD74HC58		GD54HC58		UNIT	
				MIN.	TYP.	MAX.	MIN.	MAX.	MIN.	MAX.		
V <sub>IH</sub>	HIGH level input Voltage		2.0	1.5			1.5		1.5		V	
			4.5	3.15		3.15		3.15				
			6.0	4.2		4.2		4.2				
V <sub>IL</sub>	LOW level input voltage		2.0							0.3	V	
			4.5			0.3		0.3		0.9		
			6.0			0.9		1.2		1.2		
V <sub>OH</sub>	HIGH level output voltage	V <sub>IN</sub> =V <sub>IH</sub>	I <sub>OH</sub> =-20μA	2.0	1.9	2.0		1.9		1.9		V
				4.5	4.4	4.5		4.4		4.4		
				6.0	5.9	6.0		5.9		5.9		
		or V <sub>IL</sub>	I <sub>OH</sub> =-4mA I <sub>OH</sub> =-5.2mA	4.5	3.98	4.3		3.84		3.7		
				6.0	5.48	5.2		5.34		5.2		
V <sub>OL</sub>	LOW level output voltage	V <sub>IN</sub> =V <sub>IH</sub>	I <sub>OL</sub> =20μA	2.0			0.1		0.1		0.1	V
				4.5			0.1		0.1		0.1	
				6.0			0.1		0.1		0.1	
		or V <sub>IL</sub>	I <sub>OL</sub> =4mA I <sub>OL</sub> =5.2mA	4.5		0.17	0.26		0.33		0.4	
				6.0		0.15	0.26		0.33		0.4	
I <sub>IN</sub>	Input leakage Current	V <sub>IN</sub> =V <sub>CC</sub> or GND	6.0			0.1		1.0		1.0	μA	
I <sub>CC</sub>	Quiescent Supply Current	V <sub>IN</sub> =V <sub>CC</sub> or GND I <sub>out</sub> =0μA	6.0			2		20		40	μA	

DC Electrical Characteristics for HCT

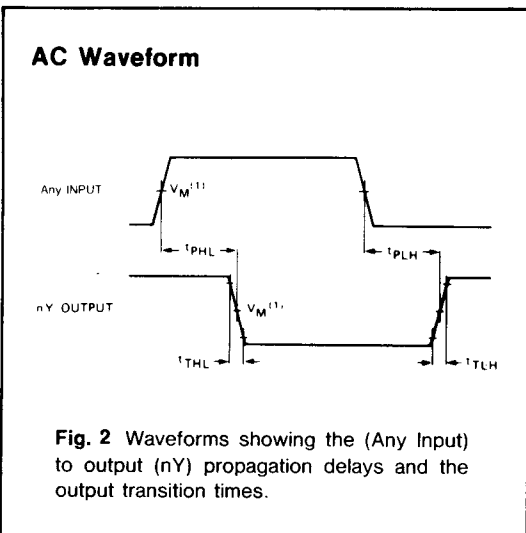
SYMBOL	PARAMETER	TEST CONDITION	V <sub>CC</sub> (V)	T <sub>A</sub> =25°C			GD74HCT58		GD54HCT58		UNIT	
				MIN.	TYP.	MAX.	MIN.	MAX.	MIN.	MAX.		
V <sub>IH</sub>	HIGH level input Voltage		4.5 to 5.5	2.0			2.0		2.0		V	
V <sub>IL</sub>	LOW level input voltage		4.5 to 5.5			0.8		0.8		0.8	V	
V <sub>OH</sub>	HIGH level output voltage	V <sub>IN</sub> =V <sub>IH</sub>	I <sub>OH</sub> =-20μA	4.5	4.4	4.5		4.4		4.4	V	
				4.5	3.98	4.3		3.84		3.7		
		or V <sub>IL</sub>	I <sub>OH</sub> =-4mA	4.5								
				4.5								
V <sub>OL</sub>	LOW level output voltage	V <sub>IN</sub> =V <sub>IH</sub>	I <sub>OL</sub> =20μA	4.5			0.1		0.1		V	
				4.5								
		or V <sub>IL</sub>	I <sub>OL</sub> =4mA	4.5		0.17	0.26		0.33			0.4
				4.5								
I <sub>IN</sub>	Input leakage Current	V <sub>IN</sub> =V <sub>CC</sub> or GND	5.5			0.1		1.0		1.0	μA	
I <sub>CC</sub>	Quiescent Supply Current	V <sub>IN</sub> =V <sub>CC</sub> or GND I <sub>out</sub> =0μA	5.5			2		20		40	μA	

**AC Characteristics for HC:**  $t_r=t_f=6\text{ns}$   $C_L=50\text{pF}$

SYMBOL	PARAMETER	V <sub>CC</sub> (V)	T <sub>A</sub> =25°C			GD74HC58		GD54HC58		UNIT
			MIN.	TYP.	MAX.	MIN.	MAX.	MIN.	MAX.	
t <sub>PLH</sub> / t <sub>PHL</sub>	Propagation delay time Any Input to nY	2.0	54	125		158		186	ns	
		4.5	13	25		32		37		
		6.0	11	21		27		32		
t <sub>TLH</sub> / t <sub>THL</sub>	Output transition time	2.0	28	75		95		110	ns	
		4.5	8	15		19		22		
		6.0	7	13		16		19		

**AC Characteristics for HCT:**  $t_r=t_f=6\text{ns}$   $C_L=50\text{pF}$

SYMBOL	PARAMETER	V <sub>CC</sub> (V)	T <sub>A</sub> =25°C			GD74HCT58		GD54HCT58		UNIT
			MIN.	TYP.	MAX.	MIN.	MAX.	MIN.	MAX.	
t <sub>PLH</sub> / t <sub>PHL</sub>	Propagation delay time Any Input to nY	4.5		17	29		36		41	ns
t <sub>TLH</sub> / t <sub>THL</sub>	Output transition time	4.5		8	15		19		22	ns



**Note to AC waveform**

- (1) HC : V<sub>M</sub>=50%. V<sub>i</sub>=GND to V<sub>CC</sub>
- HCT: V<sub>M</sub>=1.3V. V<sub>i</sub>=GND to 3V.

This datasheet has been downloaded from:

[www.DatasheetCatalog.com](http://www.DatasheetCatalog.com)

Datasheets for electronic components.



LittleDiode supplies new, hard to find or obsolete electronic components and semiconductors all over the world.

With over two million different components listed you are sure to find the part you need.

Feel free to visit us today at our online store:

[LittleDiode.com](http://LittleDiode.com)

Looking forward to providing you with the best possible service.