

# GD54/74HC00, GD54/74HCT00

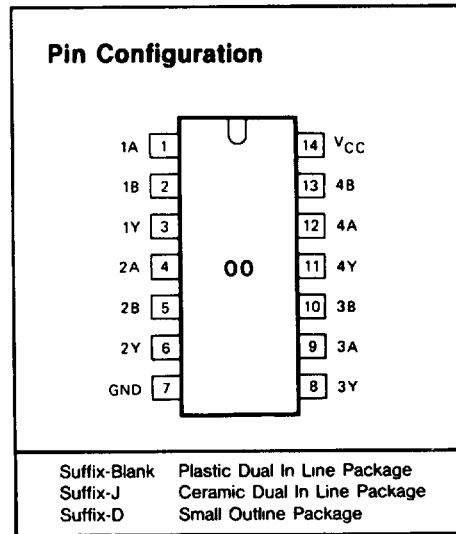
## QUAD 2-INPUT NAND GATES

### General Description

These devices are identical in pinout to the 54/74LS00. They contain four independent 2-input NAND gates. These devices are characterized for operation over wide temperature ranges to meet industry and military specifications.

### Features

- Low Power consumption characteristic of CMOS devices
- Output drive capability: 10 LS TTL Loads Min.
- Operating speed superior to LS TTL
- Wide operating voltage range: for HC 2 to 6 volts for HCT 4.5 to 5.5 volts
- Low input current: 1 $\mu$ A Max.
- Low quiescent current: 20 $\mu$ A Max. (74HC)
- High noise immunity characteristic of CMOS
- Diode protection on all inputs



### Logic Symbol and Logic Diagram

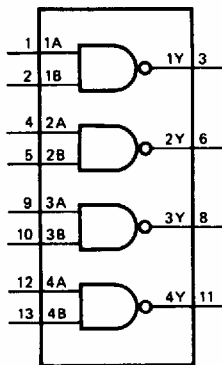


Fig. 1 Logic Symbol

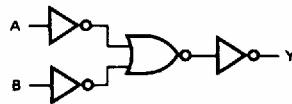


Fig. 2 Logic diagram (one gate)

### Function Table

INPUTS		OUTPUT
nA	nB	nY
L	L	H
L	H	H
H	L	H
H	H	L

H=HIGH voltage level  
L=LOW voltage level

## GD54/74HC00, GD54/74HCT00

### Absolute Maximum Ratings

SYMBOL	PARAMETER	CONDITIONS	MIN	MAX	UNIT
$V_{CC}$	DC Supply voltage		-0.5	+7	V
$I_{IK}, I_{OK}$	DC input or output diode current	for $V_I < -0.5$ or $V_I > V_{CC} + 0.5V$		20	mA
$I_O$	DC output source or sink current	for $-0.5V < V_O < V_{CC} + 0.5V$		25	mA
$I_{CC}$	DC $V_{CC}$ or GND current			50	mA
$T_{stg}$	Storage temperature range		-65	150	°C
$P_D$	Power dissipation per package	above +70°C derate linearly with 8mW/K		500	mW
$T_L$	Lead temperature	At distance $1/16 \pm 1/32$ in from case for 60 sec(CERAMIC) 10 sec(PLASTIC)		300 260	°C

### Recommended Operating Conditions

CHARACTERISTIC	LIMITS		UNITS
	MIN	MAX	
Supply-Voltage Range $V_{CC}$ . GD54/74HC Types GD54/74HCT Types	2 4.5	6 5.5	V
DC Input or Output Voltage $V_I, V_O$	0	$V_{CC}$	V
Operating Temperature $T_A$ GD74 Types GD54 Types	-40 -55	+85 +125	°C
Input Rise and Fall times $t_r, t_f$ GD54/74HC Types at 2V at 4.5V at 6V GD54/74HCT Types at 4.5V		1000 500 400 500	ns

**GD54/74HC00, GD54/74HCT00**

**DC Electrical Characteristics for HC**

SYMBOL	PARAMETER	TEST CONDITION	V <sub>CC</sub> (V)	T <sub>A</sub> =25°C			GD74HC00		GD54HC00		UNIT	
				MIN	TYP	MAX	MIN	MAX	MIN	MAX		
V <sub>IH</sub>	HIGH level input voltage		2.0 4.5 6.0	1.5 3.15 4.2			1.5 3.15 4.2		1.5 3.15 4.2		V	
V <sub>IL</sub>	LOW level input voltage		2.0 4.5 6.0			0.3 0.9 1.2		0.3 0.9 1.2		0.3 0.9 1.2	V	
V <sub>OH</sub>	HIGH level output voltage	V <sub>IN</sub> =V <sub>IH</sub> or V <sub>IL</sub>	I <sub>OH</sub> =-20μA I <sub>OH</sub> =-4mA I <sub>OH</sub> =-5.2mA	2.0 4.5 6.0	1.9 4.4 5.9	2.0 4.5 6.0		1.9 4.4 5.9		1.9 4.4 5.9		V
				4.5 6.0	3.98 5.48	4.3 5.2		3.84 5.34		3.7 5.2		
V <sub>OL</sub>	LOW level output voltage	V <sub>IN</sub> =V <sub>IH</sub> or V <sub>IL</sub>	I <sub>OL</sub> =20μA I <sub>OL</sub> =4mA I <sub>OL</sub> =5.2mA	2.0 4.5 6.0			0.1 0.1 0.1		0.1 0.1 0.1		0.1 0.1 0.1	V
				4.5 6.0	0.17 0.15	0.26 0.26		0.33 0.33		0.4 0.4		
I <sub>IN</sub>	Input leakage current	V <sub>IN</sub> =V <sub>CC</sub> or GND	6.0			0.1		1.0		1.0	μA	
I <sub>CC</sub>	Quiescent supply current	V <sub>IN</sub> =V <sub>CC</sub> or GND I <sub>out</sub> =0μA	6.0			2		20		40	μA	

**DC Electrical Characteristics for HCT**

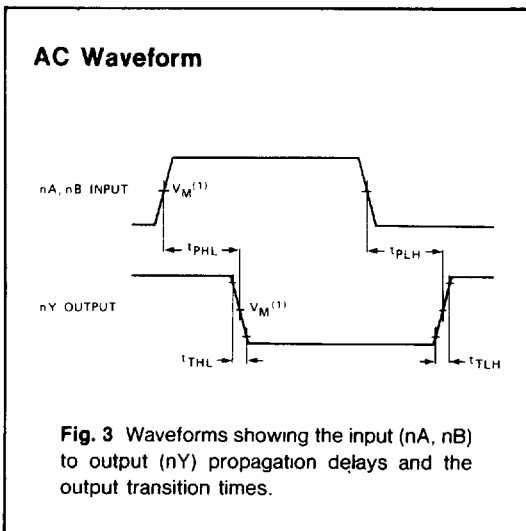
SYMBOL	PARAMETER	TEST CONDITION	V <sub>CC</sub> (V)	T <sub>A</sub> =25°C			GD74HCT00		GD54HCT00		UNIT	
				MIN	TYP	MAX	MIN	MAX	MIN	MAX		
V <sub>IH</sub>	HIGH level input voltage		4.5 to 5.5	2.0			2.0		2.0		V	
V <sub>IL</sub>	LOW level input voltage		4.5 to 5.5			0.8		0.8		0.8	V	
V <sub>OH</sub>	HIGH level output voltage	V <sub>IN</sub> =V <sub>IH</sub> or V <sub>IL</sub>	I <sub>OH</sub> =-20μA I <sub>OH</sub> =-4mA	4.5	4.4	4.5		4.4		4.4		V
				4.5	3.98	4.3		3.84		3.7		
V <sub>OL</sub>	LOW level output voltage	V <sub>IN</sub> =V <sub>IH</sub> or V <sub>IL</sub>	I <sub>OL</sub> =20μA I <sub>OL</sub> =4mA	4.5			0.1		0.1		0.1	V
				4.5	0.17	0.26		0.33		0.4		
I <sub>IN</sub>	Input leakage current	V <sub>IN</sub> =V <sub>CC</sub> or GND	5.5			0.1		1.0		1.0	μA	
I <sub>CC</sub>	Quiescent supply current	V <sub>IN</sub> =V <sub>CC</sub> or GND I <sub>out</sub> =0μA	5.5			2		20		40	μA	

**AC Characteristics for HC :  $t_r=t_f=6\text{ns}$   $C_L=50\text{pF}$**

SYMBOL	PARAMETER	$V_{CC}$ (V)	$T_A=25^\circ\text{C}$			GD74HC00		GD54HC00		UNIT
			MIN	TYP	MAX	MIN	MAX	MIN	MAX	
$t_{PLH}/$ $t_{PHL}$	Propagation delay time nA, nB to nY	2.0 4.5 6.0		25 9 7	90 18 15		115 23 20		135 27 23	ns
$t_{TLH}/$ $t_{THL}$	Output transition time	2.0 4.5 6.0		18 7 6	72 14 13		95 19 16		110 22 19	ns

**AC Characteristics for HCT :  $t_r=t_f=6\text{ns}$   $C_L=50\text{pF}$**

SYMBOL	PARAMETER	$V_{CC}$ (V)	$T_A=25^\circ\text{C}$			GD74HCT00		GD54HCT00		UNIT
			MIN	TYP	MAX	MIN	MAX	MIN	MAX	
$t_{PLH}/$ $t_{PHL}$	Propagation delay time nA, nB, to nY	4.5		10	19		24		29	ns
$t_{TLH}/$ $t_{THL}$	Output transition time	4.5		7	15		19		22	ns



**Note to AC waveform**  
 (1) HC  $V_M=50\%$   $V_i=GND$  to  $V_{CC}$   
 HCT  $V_M=1.3V$   $V_i=GND$  to  $3V$

This datasheet has been downloaded from:

[www.DatasheetCatalog.com](http://www.DatasheetCatalog.com)

Datasheets for electronic components.



LittleDiode supplies new, hard to find or obsolete electronic components and semiconductors all over the world.

With over two million different components listed you are sure to find the part you need.

Feel free to visit us today at our online store:

[LittleDiode.com](http://LittleDiode.com)

Looking forward to providing you with the best possible service.