

1.1 Scope.

This specification covers the detail requirements for a high-speed precision monolithic op amp with a high slew rate and wide bandwidth using feed forward circuitry.

1.2 Part Number.

The complete part number per Table 1 of this specification is as follows:

Device	Part Number
-1	AD518SH/883B

1.2.3 Case Outline.

See Appendix 1 of General Specification ADI-M-1000; package outline: HO8A

1.3 Absolute Maximum Ratings. ($T_A = +25^\circ\text{C}$ unless otherwise noted)

Supply Voltage	± 20V
Internal Power Dissipation ¹	500mW
Differential Input Voltage ²	± 11.5V
Input Common-Mode Voltage, Max Safe	± V_S
Output Short Circuit Duration	Indefinite
Storage Temperature Range	− 65°C to + 150°C
Operating Temperature Range (Ambient)	− 55°C to + 125°C
Lead Temperature Range (Soldering 60sec)	+ 300°C

NOTES

¹Maximum package power dissipation vs. ambient temperature.

Package Type	MAXIMUM AMBIENT Temperature for Rating	DERATE ABOVE MAXIMUM Ambient Temperature
TO-99	80°C	7.1mW/°C

²The inputs are shunted with back to back diodes; if the V_{DIFF} is greater than ± 1V, a resistor should be used in series with the inputs to limit the current to ± 10mA.

1.5 Thermal Characteristics.

Thermal Resistance $\theta_{jc} = 65^\circ\text{C/W}$
 $\theta_{ja} = 150^\circ\text{C/W}$

AD518 – SPECIFICATIONS

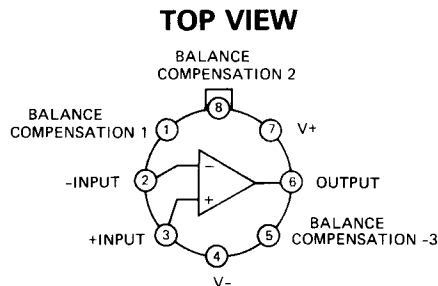
Test	Symbol	Device	Design Limit @ +25°C	Sub Group 1	Sub Group 2, 3	Sub Group 4	Test Condition ¹	Units
Gain Open Loop	A _{OL}	-1	50		25	50	R _L ≥ 2kΩ ΔV _O = 10V	V/mV min
Gain Bandwidth Product	GBW	-1	10					MHz min
Slew Rate, Unity Gain	t _{SR}	-1	50					V/μs min
Output Voltage Swing	V _{OUT}	-1	12	12	12		R _L = 2kΩ	± V min
Output Short Circuit Current	I _{SC}	-1	25	65				± mA max
Input Offset Voltage Drift	TCV _{IO}	-1	20		20		R _S = 100Ω	± μV/°C max
Input Offset Voltage	V _{IO}	-1	4	4	6		R _S = 100Ω	± mV max
Input Offset Current	I _{OS}	-1	50	50	100			± nA max
Input Bias Current	I _B	-1	250	250	400			± nA max
Common-Mode Rejection	CMRR	-1	80		80	80		dB min
Common-Mode Voltage Range	CMVR	-1	10	10				± V max
Power Supply Current	I _Q	-1	7	7				mA max
Power Supply Rejection Ratio	PSRR	-1	100		150	100		μV/V max

NOTE

¹T_A = +25°C and V_S = ±15V dc unless otherwise specified.

Table 1.

3.2.1 Functional Block Diagram and Terminal Assignments.

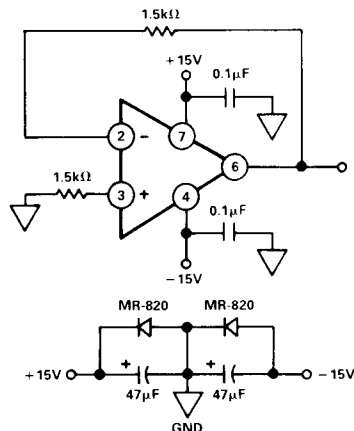


3.2.4 Microcircuit Technology Group.

This microcircuit is covered by technology group (49).

4.2.1 Life Test/Burn-In Circuit.

Steady state life test is per MIL-STD-883 Method 1005. Burn-in is per MIL-STD-883 Method 1015 test condition (B).



REV B.

This datasheet has been downloaded from:

www.DatasheetCatalog.com

Datasheets for electronic components.



LittleDiode supplies new, hard to find or obsolete electronic components and semiconductors all over the world.

With over two million different components listed you are sure to find the part you need.

Feel free to visit us today at our online store:

LittleDiode.com

Looking forward to providing you with the best possible service.