



CMOS Static RAM 64K (16K x 4-Bit)

IDT7188S
IDT7188L

Features

- ◆ High-speed (equal access and cycle times)
 - Military: 25/35/45/55/70/85ns (max.)
- ◆ Low power consumption
- ◆ Battery backup operation — 2V data retention (L version only)
- ◆ Available in high-density industry standard 22-pin, 300 mil ceramic DIP
- ◆ Produced with advanced CMOS technology
- ◆ Inputs/outputs TTL-compatible
- ◆ Military product compliant to MIL-STD-883, Class B

Description

The IDT7188 is a 65,536-bit high-speed static RAM organized as 16K x 4. It is fabricated using IDT's high-performance, high-reliability technology — CMOS. This state-of-the-art technology, combined with

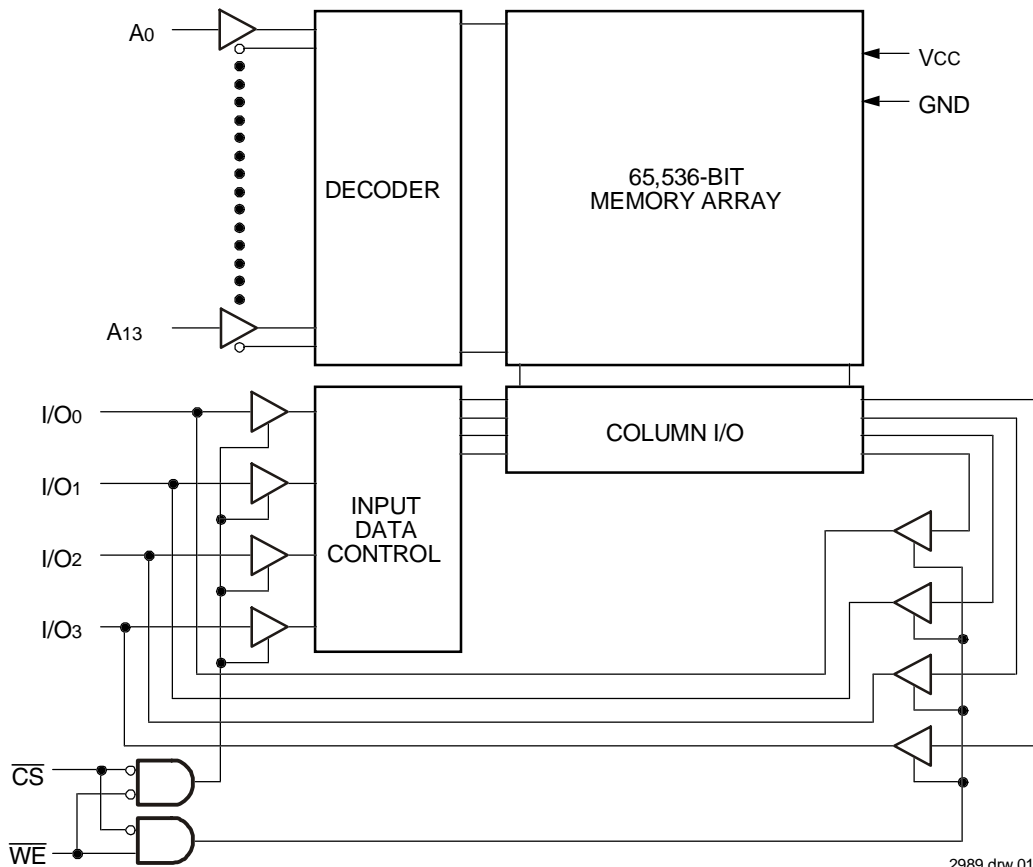
innovative circuit design techniques, provides a cost effective approach for memory intensive applications.

Access times as fast as 25ns are available. The IDT7188 offers a reduced power standby mode, ISB1, which is activated when \overline{CS} goes HIGH. This capability significantly decreases power while enhancing system reliability. The low-power version (L) version also offers a battery backup data retention capability where the circuit typically consumes only 30 μ W operating from a 2V battery.

All inputs and outputs are TTL-compatible and operate from a single 5V supply. The IDT7188 is packaged in a 22-pin, 300 mil ceramic DIP providing excellent board-level packing densities.

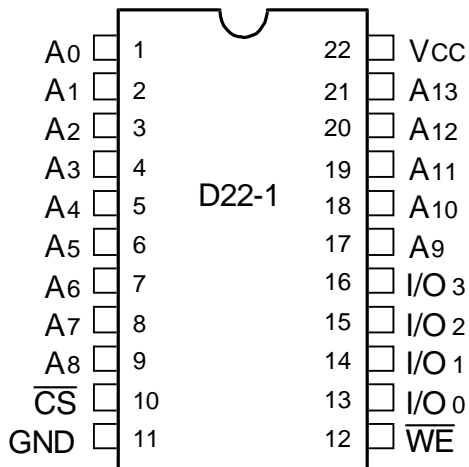
Military grade product is manufactured in compliance with the latest revision of MIL-STD-883, Class B, making it ideally suited to military temperature applications demanding the highest level of performance and reliability.

Functional Block Diagram



FEBRUARY 2001

Pin Configuration



2989 drw 02

DIP Top View

Pin Descriptions

Name	Description
A ₀ - A ₁₃	Address Inputs
\overline{CS}	Chip Select
\overline{WE}	Write Enable
I/O ₀ - I/O ₃	Data Input/Output
V _{CC}	Power
GND	Ground

2989 tbl 01

Truth Table⁽¹⁾

Mode	\overline{CS}	\overline{WE}	I/O	Power
Standby	H	X	High-Z	Standby
Read	L	H	DOUT	Active
Write	L	L	DIN	Active

2989 tbl 02

NOTE:

1. H = V_{IH}, L = V_{IL}, X = don't care.

Absolute Maximum Ratings⁽¹⁾

Symbol	Rating	Value	Unit
V _{TERM}	Terminal Voltage with Respect to GND	-0.5 to +7.0	V
T _A	Operating Temperature	-55 to +125	°C
T _{BIAS}	Temperature Under Bias	-65 to +135	°C
T _{STG}	Storage Temperature	-65 to +150	°C
P _T	Power Dissipation	1.0	W
I _{OUT}	DC Output Current	50	mA

2989 tbl 03

NOTE:

1. Stresses greater than those listed under ABSOLUTE MAXIMUM RATINGS may cause permanent damage to the device. This is a stress rating only and functional operation of the device at these or any other conditions above those indicated in the operational sections of this specification is not implied. Exposure to absolute maximum rating conditions for extended periods may affect reliability.

Capacitance

(T_A = +25°C, f = 1.0MHz, V_{CC} = 0V)

Symbol	Parameter ⁽¹⁾	Conditions	Max.	Unit
C _{IN}	Input Capacitance	V _{IN} = 0V	6	pF
C _{I/O}	I/O Capacitance	V _{OUT} = 0V	6	pF

2989 tbl 04

NOTE:

1. This parameter is determined by device characterization, but is not production tested.

Recommended DC Operating Conditions

Symbol	Parameter	Min.	Typ.	Max.	Unit
V _{CC}	Supply Voltage	4.5	5.0	5.5	V
GND	Ground	0	0	0	V
V _{IH}	Input High Voltage	2.2	—	6.0	V
V _{IL}	Input Low Voltage	-0.5 ⁽¹⁾	—	0.8	V

2989 tbl 05

NOTE:

1. V_{IL} (min.) = -3.0V for pulse width less than 20ns, once per cycle.

Recommended Operating Temperature and Supply Voltage

Grade	Temperature	GND	V _{CC}
Military	-55°C to +125°C	0V	5V ± 10%

2989 tbl 06

DC Electrical Characteristics

(V_{CC} = 5.0V ± 10%)

Symbol	Parameter	Test Conditions	IDT7188S		IDT7188L		Unit
			Min.	Max.	Min.	Max.	
I _I	Input Leakage Current	V _{CC} = Max., V _{IN} = GND to V _{CC}	—	10	—	5	μA
I _O	Output Leakage Current	V _{CC} = Max., \overline{CS} = V _{IH} , V _{OUT} = GND to V _{CC}	—	10	—	5	μA
V _{OL}	Output Low Voltage	I _{OL} = 10mA, V _{CC} = Min.	—	0.5	—	0.5	V
		I _{OL} = 8mA, V _{CC} = Min.	—	0.4	—	0.4	
V _{OH}	Output High Voltage	I _{OH} = -4mA, V _{CC} = Min.	2.4	—	2.4	—	V

2989 tbl 07

DC Electrical Characteristics⁽¹⁾

(V_{CC} = 5V ± 10%, V_{LC} = 0.2V, V_{HC} = V_{CC} - 0.2V)

Symbol	Parameter	Power	7188S25 7188L25	7188S35 7188L35	7188S45 7188L45	7188S55 7188L55	7188S70 7188L70	7188S85 7188L85	Unit
I _{CC1}	Operating Power Supply Current \overline{CS} = V _{IL} , Outputs Open V _{CC} = Max., f = 0 ⁽²⁾	S	105	105	105	105	105	105	mA
		L	80	80	80	80	80	80	
I _{CC2}	Dynamic Operating Current \overline{CS} = V _{IL} , Outputs Open V _{CC} = Max., f = f _{MAX} ⁽²⁾	S	155	140	140	140	140	140	mA
		L	120	115	110	110	110	105	
I _{SB}	Standby Power Supply Current (TTL Level) \overline{CS} ≥ V _{IH} , Outputs Open V _{CC} = Max., f = f _{MAX} ⁽²⁾	S	60	50	50	50	50	50	mA
		L	40	40	35	35	35	35	
I _{SB1}	Full Standby Power Supply Current (CMOS Level) \overline{CS} ≥ V _{HC} , V _{CC} = Max., V _{IN} ≥ V _{HC} or V _{IN} ≤ V _{LC} , f = 0 ⁽²⁾	S	20	20	20	20	20	20	mA
		L	1.5	1.5	1.5	1.5	1.5	1.5	

2989 tbl 08

NOTES:

- All values are maximum guaranteed values.
- At f = f_{MAX} address and data inputs are cycling at the maximum frequency of read cycles of 1/trc. f = 0 means no input lines change.

Data Retention Characteristics (L Version Only) (V_{HC} = V_{CC} - 0.2V)

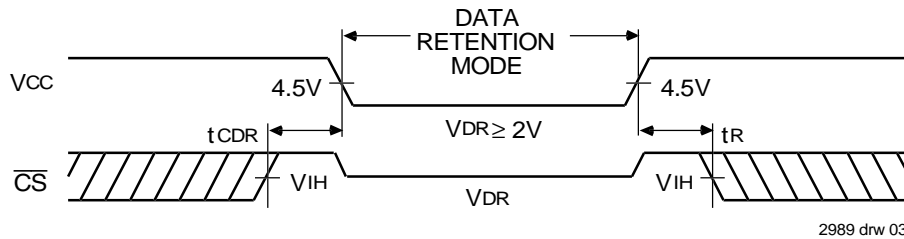
Symbol	Parameter	Test Condition	Min.	Typ. ⁽¹⁾ V _{CC} @		Max V _{CC} @		Unit
				2.0V	3.0V	2.0V	3.0V	
V _{DR}	V _{CC} for Data Retention	—	2.0	—	—	—	—	V
I _{CCDR}	Data Retention Current	$\overline{CS} \geq V_{HC}$ $V_{IN} \geq V_{HC}$ or $\leq V_{LC}$	—	10	15	600	900	μA
t _{CDR} ⁽³⁾	Chip Deselect to Data Retention Time		0	—	—	—	—	ns
t _R ⁽³⁾	Operation Recovery Time		t _{RC} ⁽²⁾	—	—	—	—	ns
I _{LIL} ⁽³⁾	Input Leakage Current		—	—	—	2	2	μA

2989 tbl 09

NOTES:

- TA = +25°C.
- t_{RC} = Read Cycle Time.
- This parameter is guaranteed by device characterization but is not production tested.

Low V_{CC} Data Retention Waveform



AC Test Conditions

Input Pulse Levels	GND to 3.0V
Input Rise/Fall Times	5ns
Input Timing Reference Levels	1.5V
Output Reference Levels	1.5V
AC Test Load	See Figures 1 and 2

2989 tbl 10

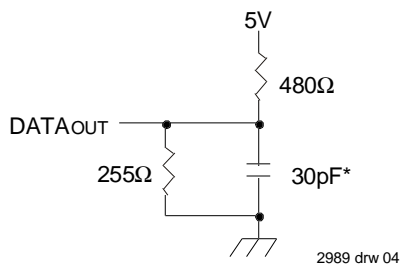


Figure 1. AC Test Load

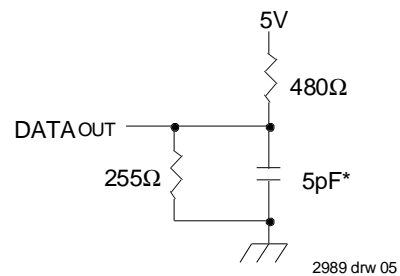


Figure 2. AC Test Load
(for t_{HZ}, t_{LZ}, t_{wz}, t_{oHZ} and t_{oLZ})

*Includes scope and jig capacitances

AC Electrical Characteristics (V_{CC} = 5.0V ± 10%)

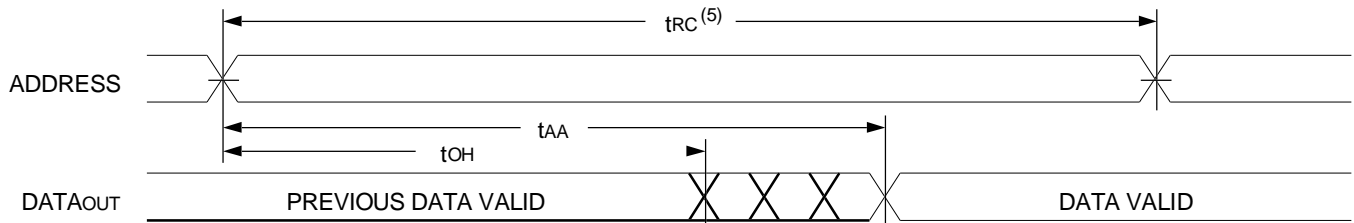
Symbol	Parameter	7188S25 7188L25		7188S35 7188L35		7188S45 7188L45		7188S55 7188L55		7188S70 7188L70		7188S85 7188L85		Unit
		Min.	Max.	Min.	Max.	Min.	Max.	Min.	Max.	Min.	Max.	Min.	Max.	
Read Cycle														
t _{RC}	Read Cycle Time	25	—	35	—	45	—	55	—	70	—	85	—	ns
t _{AA}	Address Access Time	—	25	—	35	—	45	—	55	—	70	—	85	ns
t _{ACS}	Chip Select Access Time	—	25	—	35	—	45	—	55	—	70	—	85	ns
t _{OH}	Output Hold from Address Change	5	—	5	—	5	—	5	—	5	—	5	—	ns
t _{LZ} ⁽¹⁾	Output Select to Output in Low-Z	5	—	5	—	5	—	5	—	5	—	5	—	ns
t _{HZ} ⁽¹⁾	Chip Deselect to Output in High-Z	—	10	—	14	—	14	—	20	—	25	—	30	ns
t _{PU} ⁽¹⁾	Chip Select to Power Up Time	0	—	0	—	0	—	0	—	0	—	0	—	ns
t _{PD} ⁽¹⁾	Chip Deselect to Power Down Time	—	25	—	35	—	45	—	55	—	70	—	85	ns

2989 tbl 11

NOTE:

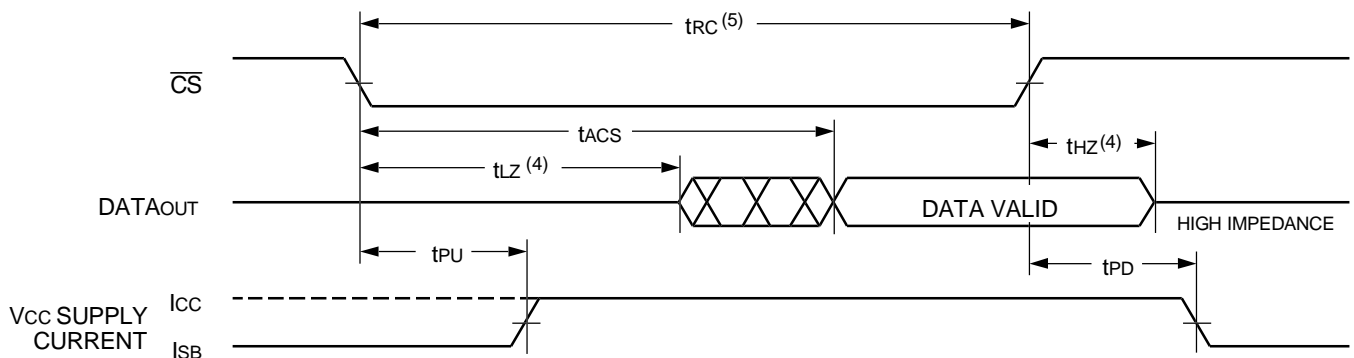
1. This parameter is guaranteed by device characterization but is not production tested.

Timing Waveform of Read Cycle No. 1^(1,2)



2989 drw 06

Timing Waveform of Read Cycle No. 2^(1,3)



2989 drw 07

NOTES:

1. WE is HIGH for Read cycle.
2. CS is LOW for Read cycle.
3. Address valid prior to or coincident with CS transition LOW.
4. Transition is measured ±200mV from steady state voltage.
5. All Read cycle timings are referenced from the last valid address to the first transitioning address.

AC Electrical Characteristics (V_{cc} = 5.0V ± 10%)

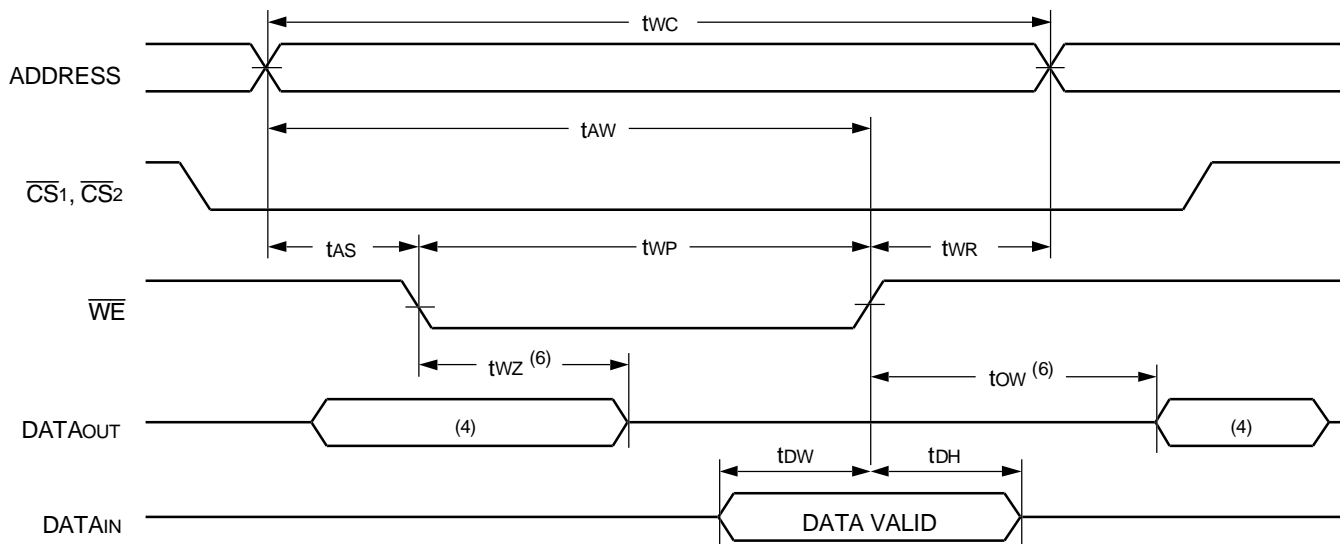
Symbol	Parameter	7188S25 7188L25		7188S35 7188L35		7188S45 7188L45		7188S55 7188L55		7188S70 7188L70		7188S85 7188L85		Unit
		Min.	Max.	Min.	Max.	Min.	Max.	Min.	Max.	Min.	Max.	Min.	Max.	
Write Cycle														
t _{wc}	Write Cycle Time	20	—	30	—	40	—	50	—	60	—	75	—	ns
t _{cw}	Chip Select to End-of-Write	20	—	25	—	35	—	50	—	60	—	75	—	ns
t _{aw}	Address Valid to End-of-Write	20	—	25	—	35	—	50	—	60	—	75	—	ns
t _{as}	Address Set-up Time	0	—	0	—	0	—	0	—	0	—	0	—	ns
t _{wp}	Write Pulse Width	20	—	25	—	35	—	50	—	60	—	75	—	ns
t _{wr}	Write Recovery Time	0	—	0	—	0	—	0	—	0	—	0	—	ns
t _{dw}	Data Valid to End-of-Write	13	—	15	—	20	—	25	—	30	—	35	—	ns
t _{dh}	Data Hold Time	0	—	0	—	0	—	0	—	0	—	0	—	ns
t _{wz} ⁽¹⁾	Write Enable to Output in High-Z	—	7	—	10	—	15	—	25	—	30	—	40	ns
t _{ow} ⁽¹⁾	Output Active from End-of-Write	5	—	5	—	5	—	5	—	5	—	5	—	ns

2989 tbl 12

NOTE:

1. This parameter is guaranteed by device characterization.

Timing Waveform of Write Cycle No. 1 (\overline{WE} Controlled Timing)^(1,2,3)

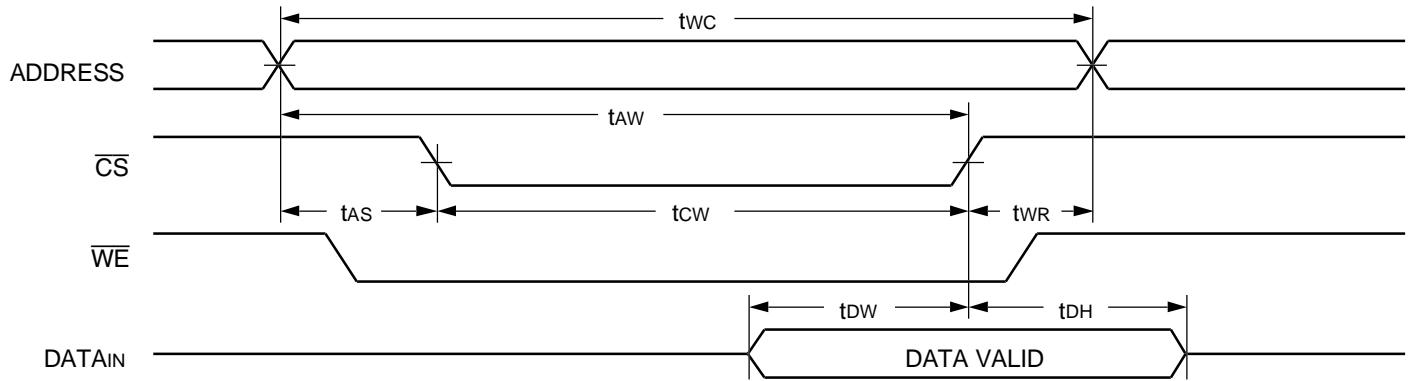


2989 drw 08

NOTES:

- \overline{WE} or \overline{CS} must be HIGH during all address transitions.
- A write occurs during the overlap (t_{wp}) of a LOW \overline{CS} and a LOW \overline{WE} .
- t_{wr} is measured from the earlier of \overline{CS} or \overline{WE} going HIGH to the end of the write cycle.
- During this period, I/O pins are in the output state so that the input signals should not be applied.
- If the \overline{CS} LOW transition occurs simultaneously with or after the \overline{WE} LOW transition, the outputs remain in the high-impedance state.
- Transition is measured $\pm 200\text{mV}$ from steady state.

Timing Waveform of Write Cycle No. 2 (\overline{CS} Controlled Timing)^(1,2,3,5)



2989 drw 09

NOTES:

- \overline{WE} or \overline{CS} must be HIGH during all address transitions.
- A write occurs during the overlap (t_{wp}) of a LOW \overline{CS} and a LOW \overline{WE} .
- t_{wr} is measured from the earlier of \overline{CS} or \overline{WE} going HIGH to the end of the write cycle.
- During this period, I/O pins are in the output state so that the input signals should not be applied.
- If the \overline{CS} LOW transition occurs simultaneously with or after the \overline{WE} LOW transition, the outputs remain in the high-impedance state.
- Transition is measured $\pm 200\text{mV}$ from steady state.

Ordering Information

IDT	7188	X	XX	X	X	
Device Type	Power	Speed	Package	Process/ Temperature Range		
				B		Military (-55°C to +125°C) Compliant to MIL-STD-883, Class B
				D		300 mil Ceramic DIP (D22-1)
		25			} Speed in nanoseconds	
		35				
		45				
		55				
		70				
		85				
				S		Standard Power
				L		Low Power

2989 drw 10

Datasheet Document History

11/xx/99		Updated to new format
	Pg. 2, 3, 4	Removed commercial temperature data
	Pg. 8	Added Datasheet Document History
08/09/00		Not recommended for new designs
02/01/01		Removed "Not recommended for new designs"



CORPORATE HEADQUARTERS
2975 Stender Way
Santa Clara, CA 95054

for SALES:
800-345-7015 or 408-727-6116
fax:408-492-8674
www.idt.com

for Tech Support:
sramhelp@idt.com
800 544-7726, x4033

The IDT logo is a registered trademark of Integrated Device Technology, Inc.



LittleDiode supplies new, hard to find or obsolete electronic components and semiconductors all over the world.

With over two million different components listed you are sure to find the part you need.

Feel free to visit us today at our online store:

LittleDiode.com

Looking forward to providing you with the best possible service.