

HD74LS83A 4-Bit Binary Full Adders (with Fast Carry)

This improved full adder performs the addition of two 4-bit binary numbers. The sum (Σ) outputs are provided for each bit and the resultant carry (C_4) is obtained from the fourth bit. This adder features full internal look ahead across all four bit generating the carry term in ten nanoseconds typically. This provides the system designer with partial look-ahead performance at the economy and reduced package count of a ripple-carry implementation.

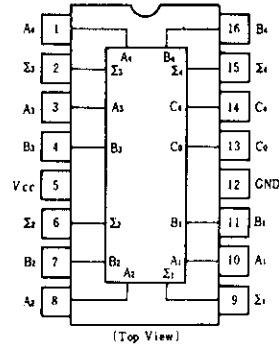
FUNCTION TABLE

Inputs				Outputs					
				When $C_0 = L$		When $C_2 = L$	When $C_0 = H$		When $C_2 = H$
A_1	B_1	A_2	B_2	Σ_1	Σ_2	C_2	Σ_3	Σ_4	C_4
L	L	L	L	L	L	L	H	L	L
H	L	L	L	H	L	L	L	H	L
L	H	L	L	H	L	L	L	H	L
H	H	L	L	L	L	L	H	H	L
L	L	H	L	L	H	L	H	H	L
H	L	H	L	H	H	L	L	L	H
L	H	H	L	H	H	L	L	L	H
H	H	H	L	L	L	H	H	L	H
L	L	L	H	L	H	L	H	H	L
H	L	L	H	H	H	L	L	L	H
L	H	L	H	H	H	L	L	L	H
H	H	L	H	L	L	H	H	L	H
L	L	H	H	L	L	H	H	L	H
H	L	H	H	H	L	H	L	H	H
L	H	H	H	H	L	H	L	H	H
H	H	H	H	L	L	H	H	H	H

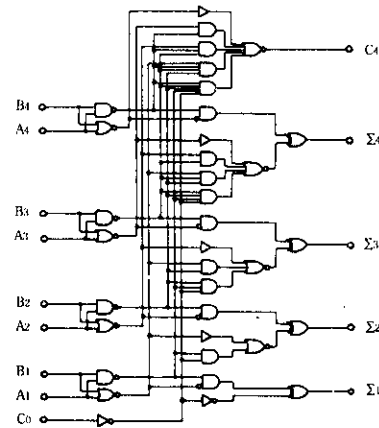
H; high level, L; low level, X; irrelevant

Note) Input conditions at A_1 , B_1 , A_2 , B_2 , and C_0 are used to determine outputs Σ_1 and Σ_2 and the value of the internal carry C_2 . The value at C_2 , A_3 , B_3 , A_4 , and B_4 are then used to determine outputs Σ_3 , Σ_4 and C_4 .

PIN ARRANGEMENT



BLOCK DIAGRAM



HD74LS83A

■ ELECTRICAL CHARACTERISTICS ($T_a = -20 \sim +75^\circ\text{C}$)

Item		Symbol	Test Conditions	min	typ [*]	max	Unit	
Input voltage		V_{IH}		2.0		—	V	
		V_{IL}		—		0.8	V	
Output voltage		V_{OH}	$V_{CC} = 4.75\text{V}, V_{IH} = 2\text{V}, V_{IL} = 0.8\text{V}, I_{OH} = -400\mu\text{A}$	2.7		—	V	
		V_{OL}	$V_{CC} = 4.75\text{V}, V_{IH} = 2\text{V}, V_{IL} = 0.8\text{V}$	$I_{OL} = 4\text{mA}$	—	0.4	V	
				$I_{OL} = 8\text{mA}$	—	0.5	V	
Input current	except C0	I_{IH}	$V_{CC} = 5.25\text{V}, V_i = 2.7\text{V}$	—		40	μA	
	C0			—		20	μA	
	except C0	I_{IL}	$V_{CC} = 5.25\text{V}, V_i = 0.4\text{V}$	—		-0.8	mA	
	C0			—		0.4	mA	
Input current	except C0	I_i	$V_{CC} = 5.25\text{V}, V_i = 7\text{V}$	—		0.2	mA	
	C0			—		0.1	mA	
Short circuit output current		I_{OS}	$V_{CC} = 5.25\text{V}$	-20		-100	mA	
Supply current		I_{CC}	$V_{CC} = 5.25\text{V}$	All inputs = 0V	—	22	39	mA
				B input 0.8V, Other inputs 4.5V	—	19	34	
				All inputs 4.5V	—	19	34	
Input clamp voltage		V_{IK}	$V_{CC} = 4.75\text{V}, I_{IS} = -18\text{mA}$	—		-1.5	V	

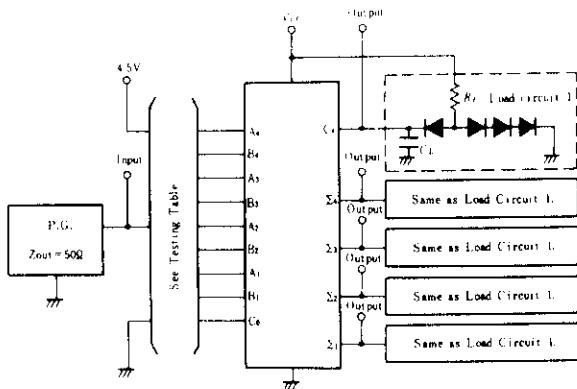
* $V_{CC} = 5\text{V}, T_a = 25^\circ\text{C}$

■ SWITCHING CHARACTERISTICS ($V_{CC} = 5\text{V}, T_a = 25^\circ\text{C}$)

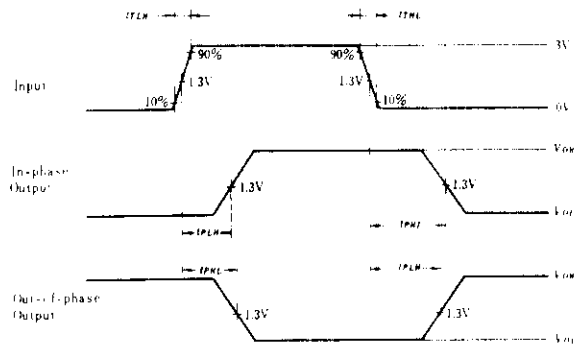
Item	Symbol	Inputs	Outputs	Test Conditions	min	typ	max	Unit
Propagation delay time	t_{PLH}	C _i	Σ	$C_L = 15\text{pF}, R_t = 2\text{k}\Omega$	—	16	24	ns
	t_{PHL}				—	15	24	ns
	t_{PLH}	A _i , B _i	Σ		—	15	24	ns
	t_{PHL}				—	15	24	ns
	t_{PLH}	C _i	C _o		—	11	17	ns
	t_{PHL}				—	15	22	ns
	t_{PLH}	A _i , B _i	C _o		—	11	17	ns
	t_{PHL}				—	12	17	ns

■ TESTING METHOD

1) Test Circuit



Waveform



- Notes) 1. Input pulse; $t_{PLH} \leq 15\text{ns}, t_{PHL} \leq 6\text{ns}$,
 $PRR = 1\text{MHz}$, duty cycle = 50%
 2. C_L includes probe and jig capacitance.
 3. All diodes are 1S2074 (D).

2) Testing Table

Item	From input to output	Inputs									Outputs						
		B ₄	A ₄	B ₃	A ₃	B ₂	A ₂	B ₁	A ₁	C ₀	C ₄	Σ ₄	Σ ₃	Σ ₂	Σ ₁		
<i>t_{PLH}</i> <i>t_{PHL}</i>	C ₀ →Σ ₄ or C ₄	GND	GND	GND	GND	GND	GND	GND	GND	IN	---	---	---	---	OUT		
		GND	4.5V	GND	4.5V	GND	4.5V	GND	4.5V	IN	OUT	OUT	OUT	OUT	OUT		
	A _i or B _i →Σ ₄ or C ₄	GND	GND	GND	GND	GND	GND	GND	GND	IN	GND	---	---	---	---	OUT	
									IN	GND							
		GND	GND	GND	GND	GND	GND	GND	GND	GND	IN	GND	---	---	---	OUT	---
										IN	GND						
		GND	GND	GND	GND	GND	GND	GND	GND	GND	IN	GND	---	---	OUT	---	---
										IN	GND						
		GND	GND	GND	GND	GND	GND	GND	GND	4.5V	IN	GND	---	---	OUT	OUT	---
										IN	4.5V						
		GND	GND	GND	GND	GND	GND	GND	GND	4.5V	IN	GND	---	---	OUT	OUT	---
										IN	4.5V						
		GND	GND	GND	GND	GND	GND	GND	GND	GND	IN	GND	---	OUT	OUT	---	---
										IN	GND						
4.5V	IN	GND	GND	GND	GND	GND	GND	GND	IN	GND	OUT	OUT	---	---	---		
								IN	4.5V								



Hitachi Code	DP-16
JEDEC	Conforms
EIAJ	Conforms
Weight (reference value)	1.07 g



*Dimension including the plating thickness
Base material dimension

Hitachi Code	FP-16DN
JEDEC	Conforms
EIAJ	Conforms
Weight (reference value)	0.15 g

Cautions

1. Hitachi neither warrants nor grants licenses of any rights of Hitachi's or any third party's patent, copyright, trademark, or other intellectual property rights for information contained in this document. Hitachi bears no responsibility for problems that may arise with third party's rights, including intellectual property rights, in connection with use of the information contained in this document.
2. Products and product specifications may be subject to change without notice. Confirm that you have received the latest product standards or specifications before final design, purchase or use.
3. Hitachi makes every attempt to ensure that its products are of high quality and reliability. However, contact Hitachi's sales office before using the product in an application that demands especially high quality and reliability or where its failure or malfunction may directly threaten human life or cause risk of bodily injury, such as aerospace, aeronautics, nuclear power, combustion control, transportation, traffic, safety equipment or medical equipment for life support.
4. Design your application so that the product is used within the ranges guaranteed by Hitachi particularly for maximum rating, operating supply voltage range, heat radiation characteristics, installation conditions and other characteristics. Hitachi bears no responsibility for failure or damage when used beyond the guaranteed ranges. Even within the guaranteed ranges, consider normally foreseeable failure rates or failure modes in semiconductor devices and employ systemic measures such as fail-safes, so that the equipment incorporating Hitachi product does not cause bodily injury, fire or other consequential damage due to operation of the Hitachi product.
5. This product is not designed to be radiation resistant.
6. No one is permitted to reproduce or duplicate, in any form, the whole or part of this document without written approval from Hitachi.
7. Contact Hitachi's sales office for any questions regarding this document or Hitachi semiconductor products.

HITACHI

Hitachi, Ltd.

Semiconductor & Integrated Circuits.
Nippon Bldg., 2-6-2, Ohte-machi, Chiyoda-ku, Tokyo 100-0004, Japan
Tel: Tokyo (03) 3270-2111 Fax: (03) 3270-5109

URL North America : <http://semiconductor.hitachi.com/>
Europe : <http://www.hitachi-eu.com/hel/ecg>
Asia (Singapore) : <http://www.has.hitachi.com.sg/grp3/sicd/index.htm>
Asia (Taiwan) : http://www.hitachi.com.tw/E/Product/SICD_Frame.htm
Asia (HongKong) : <http://www.hitachi.com.hk/eng/bo/grp3/index.htm>
Japan : <http://www.hitachi.co.jp/Sicd/indx.htm>

For further information write to:

Hitachi Semiconductor
(America) Inc.
179 East Tasman Drive,
San Jose, CA 95134
Tel: <1> (408) 433-1990
Fax: <1> (408) 433-0223

Hitachi Europe GmbH
Electronic components Group
Dornacher Straße 3
D-85622 Feldkirchen, Munich
Germany
Tel: <49> (89) 9 9180-0
Fax: <49> (89) 9 29 30 00

Hitachi Europe Ltd.
Electronic Components Group.
Whitebrook Park
Lower Cookham Road
Maidenhead
Berkshire SL6 8YA, United Kingdom
Tel: <44> (1628) 585000
Fax: <44> (1628) 778322

Hitachi Asia Pte. Ltd.
16 Collyer Quay #20-00
Hitachi Tower
Singapore 049318
Tel: 535-2100
Fax: 535-1533

Hitachi Asia Ltd.
Taipei Branch Office
3F, Hung Kuo Building, No.167,
Tun-Hwa North Road, Taipei (105)
Tel: <886> (2) 2718-3666
Fax: <886> (2) 2718-8180

Hitachi Asia (Hong Kong) Ltd.
Group III (Electronic Components)
7/F., North Tower, World Finance Centre,
Harbour City, Canton Road, Tsim Sha Tsui,
Kowloon, Hong Kong
Tel: <852> (2) 735 9218
Fax: <852> (2) 730 0281
Telex: 40815 HITEC HX

Copyright ' Hitachi, Ltd., 1999. All rights reserved. Printed in Japan.

HITACHI



LittleDiode supplies new, hard to find or obsolete electronic components and semiconductors all over the world.

With over two million different components listed you are sure to find the part you need.

Feel free to visit us today at our online store:

LittleDiode.com

Looking forward to providing you with the best possible service.