

# DATA SHEET

For a complete data sheet, please also download:

- The IC06 74HC/HCT/HCU/HCMOS Logic Family Specifications
- The IC06 74HC/HCT/HCU/HCMOS Logic Package Information
- The IC06 74HC/HCT/HCU/HCMOS Logic Package Outlines

## **74HC/HCT192**

**Presettable synchronous BCD  
decade up/down counter**

Product specification  
File under Integrated Circuits, IC06

December 1990

## Presettable synchronous BCD decade up/down counter

### 74HC/HCT192

#### FEATURES

- Synchronous reversible counting
- Asynchronous parallel load
- Asynchronous reset
- Expandable without external logic
- Output capability: standard
- $I_{CC}$  category: MSI

#### GENERAL DESCRIPTION

The 74HC/HCT192 are high-speed Si-gate CMOS devices and are pin compatible with low power Schottky TTL (LSTTL). They are specified in compliance with JEDEC standard no. 7A.

The 74HC/HCT192 are synchronous BCD up/down counters. Separate up/down clocks,  $CP_U$  and  $CP_D$  respectively, simplify operation. The outputs change state synchronously with the LOW-to-HIGH transition of either clock input. If the  $CP_U$  clock is pulsed while  $CP_D$  is held HIGH, the device will count up. If the  $CP_D$  clock is pulsed while  $CP_U$  is held HIGH, the device will count down. Only one clock input can be held HIGH at any time, or erroneous operation will result. The device can be cleared at any time by the asynchronous master reset input (MR); it may also be loaded in parallel by activating the asynchronous parallel load input ( $\overline{PL}$ ).

The "192" contains four master-slave JK flip-flops with the necessary steering logic to provide the asynchronous reset, load, and synchronous count up and count down functions.

Each flip-flop contains JK feedback from slave to master, such that a LOW-to-HIGH transition on the  $CP_D$  input will decrease the count by one, while a similar transition on the  $CP_U$  input will advance the count by one.

One clock should be held HIGH while counting with the other, otherwise the circuit will either count by two's or not at all, depending on the state of the first flip-flop, which cannot toggle as long as either clock input is LOW. Applications requiring reversible operation must make the reversing decision while the activating clock is HIGH to avoid erroneous counts.

The terminal count up ( $\overline{TC_U}$ ) and terminal count down ( $\overline{TC_D}$ ) outputs are normally HIGH. When the circuit has reached the maximum count state of 9, the next HIGH-to-LOW transition of  $CP_U$  will cause  $\overline{TC_U}$  to go LOW.  $\overline{TC_U}$  will stay LOW until  $CP_U$  goes HIGH again, duplicating the count up clock.

Likewise, the  $\overline{TC_D}$  output will go LOW when the circuit is in the zero state and the  $CP_D$  goes LOW. The terminal count outputs can be used as the clock input signals to the next higher order circuit in a multistage counter, since they duplicate the clock waveforms. Multistage counters will not be fully synchronous, since there is a slight delay time difference added for each stage that is added.

The counter may be preset by the asynchronous parallel load capability of the circuit. Information present on the parallel data inputs ( $D_0$  to  $D_3$ ) is loaded into the counter and appears on the outputs ( $Q_0$  to  $Q_3$ ) regardless of the conditions of the clock inputs when the parallel load ( $\overline{PL}$ ) input is LOW. A HIGH level on the master reset (MR) input will disable the parallel load gates, override both clock inputs and set all outputs ( $Q_0$  to  $Q_3$ ) LOW. If one of the clock inputs is LOW during and after a reset or load operation, the next LOW-to-HIGH transition of that clock will be interpreted as a legitimate signal and will be counted.

# Presettable synchronous BCD decade up/down counter

74HC/HCT192

**QUICK REFERENCE DATA**GND = 0 V;  $T_{amb} = 25\text{ }^{\circ}\text{C}$ ;  $t_r = t_f = 6\text{ ns}$ 

SYMBOL	PARAMETER	CONDITIONS	TYPICAL		UNIT
			HC	HCT	
$t_{PHL}/t_{PLH}$	propagation delay $CP_D, CP_U$ to $Q_n$	$C_L = 15\text{ pF}; V_{CC} = 5\text{ V}$	20	20	ns
$f_{max}$	maximum clock frequency		40	45	MHz
$C_I$	input capacitance		3.5	3.5	pF
$C_{PD}$	power dissipation capacitance per package	notes 1 and 2	24	28	pF

**Notes**

- $C_{PD}$  is used to determine the dynamic power dissipation ( $P_D$  in  $\mu\text{W}$ ):

$$P_D = C_{PD} \times V_{CC}^2 \times f_i + \sum (C_L \times V_{CC}^2 \times f_o) \text{ where:}$$

$f_i$  = input frequency in MHz

$f_o$  = output frequency in MHz

$\sum (C_L \times V_{CC}^2 \times f_o)$  = sum of outputs

$C_L$  = output load capacitance in pF

$V_{CC}$  = supply voltage in V

- For HC the condition is  $V_I = \text{GND to } V_{CC}$   
For HCT the condition is  $V_I = \text{GND to } V_{CC} - 1.5\text{ V}$

**ORDERING INFORMATION**

See *"74HC/HCT/HCU/HCMOS Logic Package Information"*.

Pre-settable synchronous BCD decade  
up/down counter

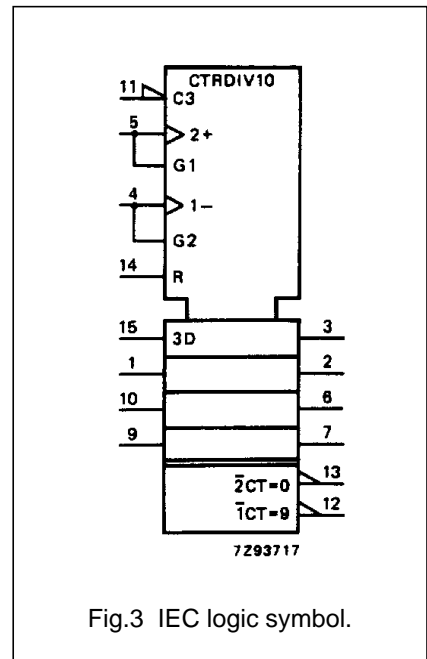
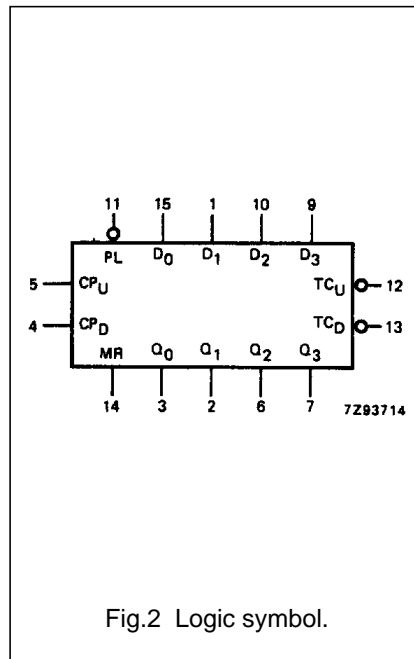
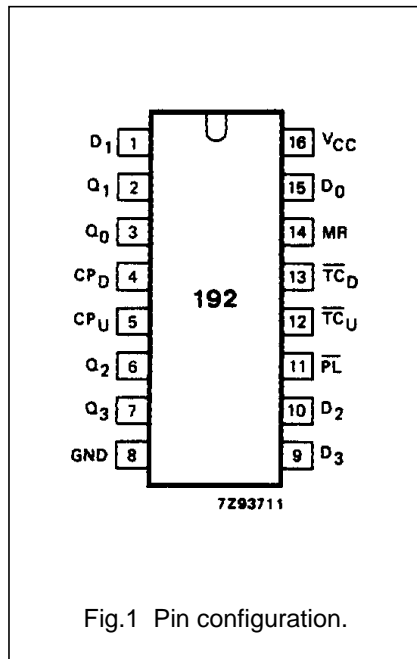
74HC/HCT192

PIN DESCRIPTION

PIN NO.	SYMBOL	NAME AND FUNCTION
3, 2, 6, 7	Q <sub>0</sub> to Q <sub>3</sub>	flip-flop outputs
4	CP <sub>D</sub>	count down clock input <sup>(1)</sup>
5	CP <sub>U</sub>	count up clock input <sup>(1)</sup>
8	GND	ground (0 V)
11	$\overline{\text{PL}}$	asynchronous parallel load input (active LOW)
12	$\overline{\text{TC}}_{\text{U}}$	terminal count up (carry) output (active LOW)
13	$\overline{\text{TC}}_{\text{D}}$	terminal count down (borrow) output (active LOW)
14	MR	asynchronous master reset input (active HIGH)
15, 1, 10, 9	D <sub>0</sub> to D <sub>3</sub>	data inputs
16	V <sub>CC</sub>	positive supply voltage

Note

1. LOW-to-HIGH, edge triggered



Pre-settable synchronous BCD decade  
up/down counter

74HC/HCT192

FUNCTION TABLE

OPERATING MODE	INPUTS								OUTPUTS					
	MR	$\overline{PL}$	CP <sub>U</sub>	CP <sub>D</sub>	D <sub>0</sub>	D <sub>1</sub>	D <sub>2</sub>	D <sub>3</sub>	Q <sub>0</sub>	Q <sub>1</sub>	Q <sub>2</sub>	Q <sub>3</sub>	$\overline{TC}_U$	$\overline{TC}_D$
reset (clear)	H	X	X	L	X	X	X	X	L	L	L	L	H	L
	H	X	X	H	X	X	X	X	L	L	L	L	H	H
parallel load	L	L	X	L	L	L	L	L	L	L	L	L	H	L
	L	L	X	H	L	L	L	L	L	L	L	L	H	H
	L	L	L	X	H	X	X	H	Q <sub>n</sub> = D <sub>n</sub>			L	H	
	L	L	H	X	H	X	X	H	Q <sub>n</sub> = D <sub>n</sub>			H	H	
count up	L	H	↑	H	X	X	X	X	count up			H <sup>(2)</sup>	H	
count down	L	H	H	↑	X	X	X	X	count down			H	H <sup>(3)</sup>	

Notes

- H = HIGH voltage level  
L = LOW voltage level  
X = don't care  
↑ = LOW-to-HIGH clock transition
- $\overline{TC}_U$  = CP<sub>U</sub> at terminal count up (HLLH)
- $\overline{TC}_D$  = CP<sub>D</sub> at terminal count down (LLLL)

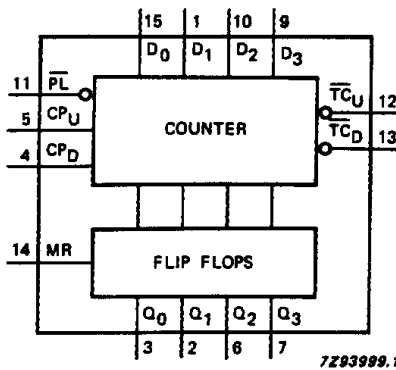


Fig.4 Functional diagram.

# Pre-settable synchronous BCD decade up/down counter

74HC/HCT192

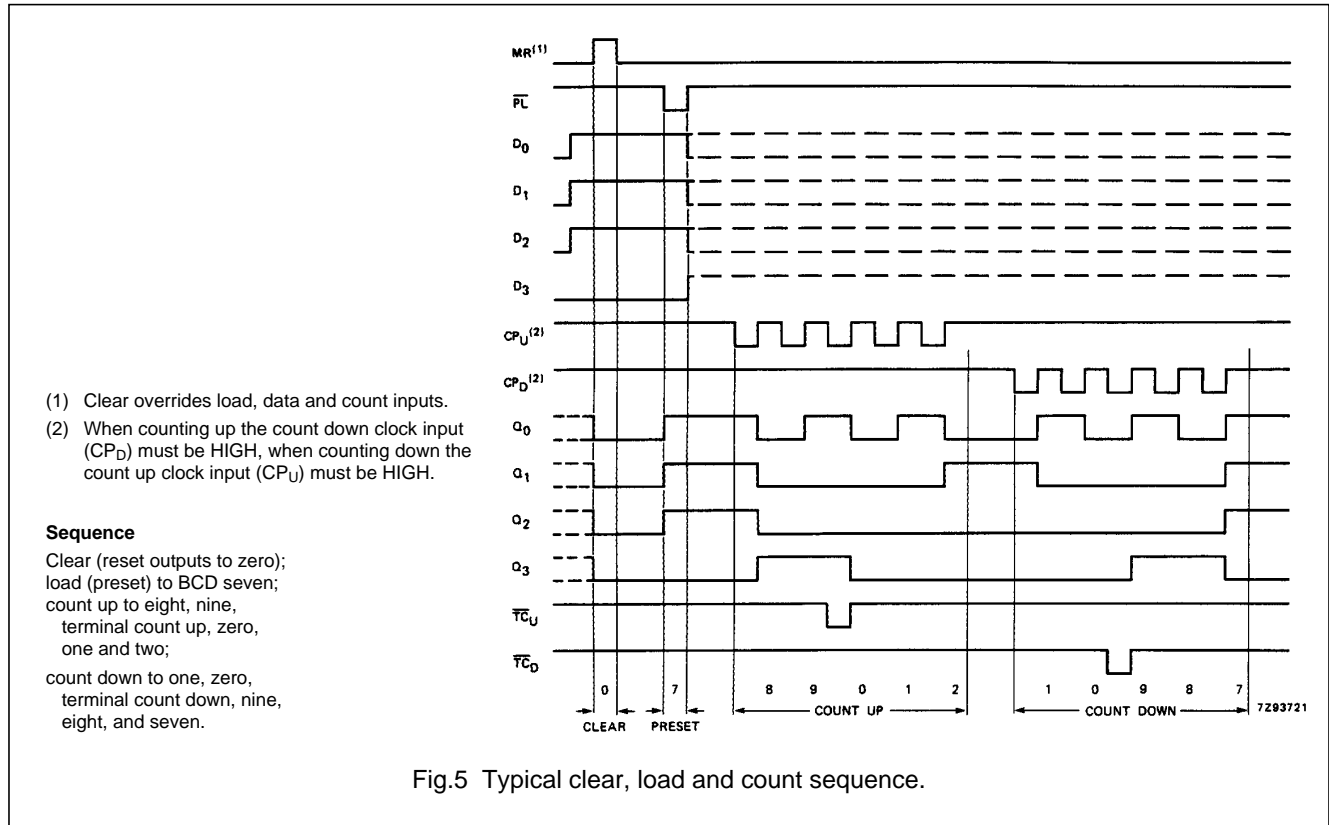


Fig.5 Typical clear, load and count sequence.

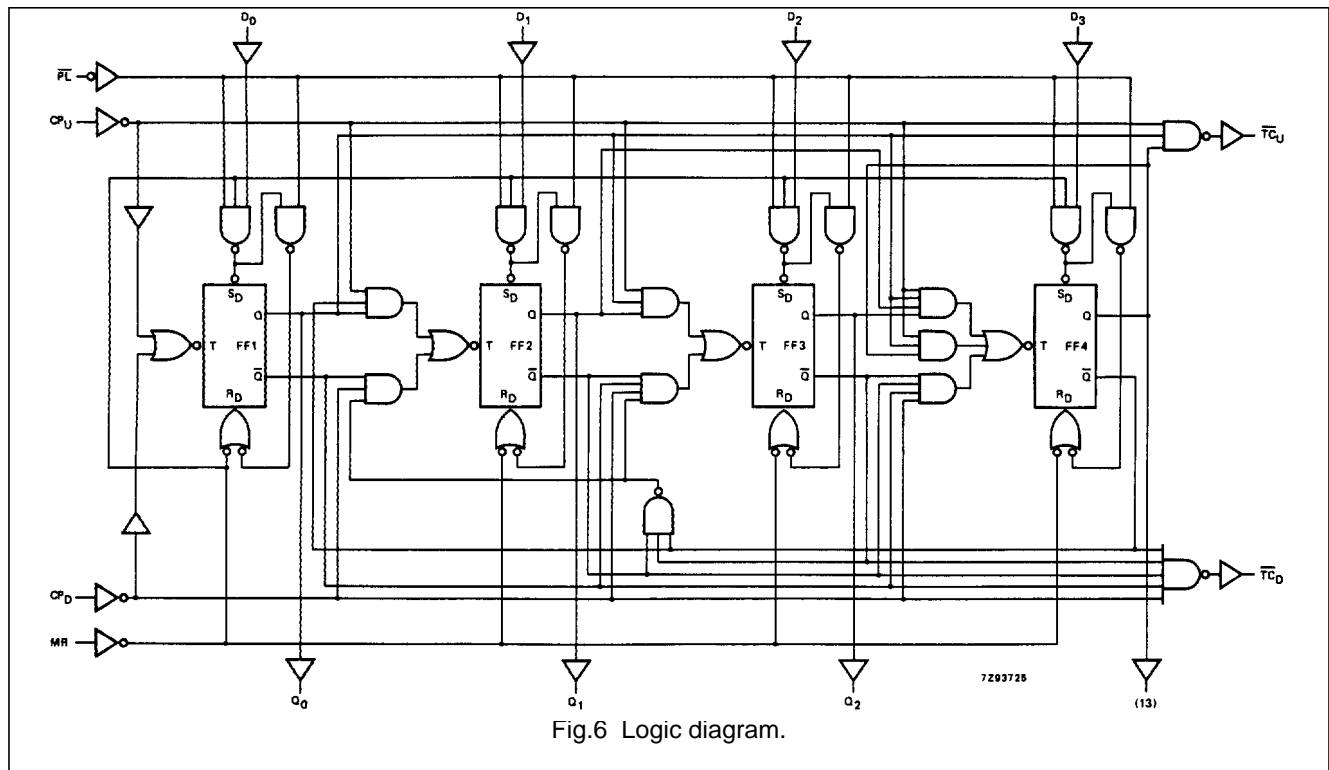


Fig.6 Logic diagram.

# Presettable synchronous BCD decade up/down counter

74HC/HCT192

**DC CHARACTERISTICS FOR 74HC**For the DC characteristics see *"74HC/HCT/HCU/HCMOS Logic Family Specifications"*.

Output capability: standard

I<sub>CC</sub> category: MSI**AC CHARACTERISTICS FOR 74HC**GND = 0 V; t<sub>r</sub> = t<sub>f</sub> = 6 ns; C<sub>L</sub> = 50 pF

SYMBOL	PARAMETER	T <sub>amb</sub> (°C)						UNIT	TEST CONDITIONS		
		74HC							V <sub>CC</sub> (V)	WAVEFORMS	
		+25			-40 to +85		-40 to +125				
		min.	typ.	max.	min.	max.	min.				max.
t <sub>PHL</sub> / t <sub>PLH</sub>	propagation delay CP <sub>U</sub> , CP <sub>D</sub> to Q <sub>n</sub>		66 24 19	215 43 37		270 54 46		325 65 55	ns	2.0 4.5 6.0	Fig.7
t <sub>PHL</sub> / t <sub>PLH</sub>	propagation delay CP <sub>U</sub> to TC <sub>U</sub>		33 12 10	125 25 21		155 31 26		190 38 32	ns	2.0 4.5 6.0	Fig.8
t <sub>PHL</sub> / t <sub>PLH</sub>	propagation delay CP <sub>D</sub> to TC <sub>D</sub>		39 14 11	125 25 21		155 31 26		190 38 32	ns	2.0 4.5 6.0	Fig.8
t <sub>PHL</sub> / t <sub>PLH</sub>	propagation delay PL to Q <sub>n</sub>		69 25 20	215 43 37		270 54 46		325 65 55	ns	2.0 4.5 6.0	Fig.9
t <sub>PHL</sub>	propagation delay MR to Q <sub>n</sub>		63 23 18	200 40 34		250 50 43		300 60 51	ns	2.0 4.5 6.0	Fig.10
t <sub>PHL</sub>	propagation delay D <sub>n</sub> to Q <sub>n</sub>		91 33 26	275 55 47		345 69 59		415 83 71	ns	2.0 4.5 6.0	Fig.9
t <sub>PLH</sub>	propagation delay D <sub>n</sub> to Q <sub>n</sub>		80 29 23	240 48 41		300 60 51		360 72 61	ns	2.0 4.5 6.0	Fig.9
t <sub>PHL</sub> / t <sub>PLH</sub>	propagation delay PL to $\overline{TC}_U$ , PL to $\overline{TC}_D$		102 37 30	315 63 54		395 79 67		475 95 81	ns	2.0 4.5 6.0	Fig.12
t <sub>PHL</sub> / t <sub>PLH</sub>	propagation delay MR to $\overline{TC}_U$ , MR to $\overline{TC}_D$		96 35 28	285 57 48		355 71 60		430 86 73	ns	2.0 4.5 6.0	Fig.12
t <sub>PHL</sub> / t <sub>PLH</sub>	propagation delay D <sub>n</sub> to $\overline{TC}_U$ , D <sub>n</sub> to $\overline{TC}_D$		83 30 24	290 58 49		365 73 62		435 87 74	ns	2.0 4.5 6.0	Fig.12
t <sub>THL</sub> / t <sub>TLH</sub>	output transition time		19 7 6	75 15 13		95 19 16		110 22 19	ns	2.0 4.5 6.0	Fig.10

# Pre-settable synchronous BCD decade up/down counter

74HC/HCT192

SYMBOL	PARAMETER	T <sub>amb</sub> (°C)							UNIT	TEST CONDITIONS	
		74HC								V <sub>CC</sub> (V)	WAVEFORMS
		+25			-40 to +85		-40 to +125				
		min.	typ.	max.	min.	max.	min.	max.			
t <sub>w</sub>	up clock pulse width HIGH or LOW	120 24 20	39 14 11		150 30 26		180 36 31		ns	2.0 4.5 6.0	Fig.7
t <sub>w</sub>	down clock pulse width HIGH or LOW	140 28 24	50 18 14		175 35 30		210 42 36		ns	2.0 4.5 6.0	Fig.7
t <sub>w</sub>	master reset pulse width HIGH	80 16 14	22 8 6		100 20 17		120 24 20		ns	2.0 4.5 6.0	Fig.10
t <sub>w</sub>	parallel load pulse width LOW	80 16 14	22 8 6		100 20 17		120 24 20		ns	2.0 4.5 6.0	Fig.9
t <sub>rem</sub>	removal time $\overline{PL}$ to CP <sub>U</sub> , CP <sub>D</sub>	50 10 9	3 1 1		65 13 11		75 15 13		ns	2.0 4.5 6.0	Fig.9
t <sub>rem</sub>	removal time MR to CP <sub>U</sub> , CP <sub>D</sub>	50 10 9	0 0 0		65 13 11		75 15 13		ns	2.0 4.5 6.0	Fig.10
t <sub>su</sub>	set-up time D <sub>n</sub> to $\overline{PL}$	80 16 14	22 8 6		100 20 17		120 24 20		ns	2.0 4.5 6.0	Fig.11 note: CP <sub>U</sub> = CP <sub>D</sub> = HIGH
t <sub>h</sub>	hold time D <sub>n</sub> to $\overline{PL}$	0 0 0	-14 -5 -4		0 0 0		0 0 0		ns	2.0 4.5 6.0	Fig.11
t <sub>h</sub>	hold time CP <sub>U</sub> to CP <sub>D</sub> , CP <sub>D</sub> to CP <sub>U</sub>	80 16 14	19 7 6		100 20 17		120 24 20		ns	2.0 4.5 6.0	Fig.13
f <sub>max</sub>	maximum up, down clock pulse frequency	4.0 20 24	12 36 43		3.2 16 19		2.6 13 15		MHz	2.0 4.5 6.0	Fig.7

---

**Presettable synchronous BCD decade  
up/down counter**

---

**74HC/HCT192****DC CHARACTERISTICS FOR 74HCT**

For the DC characteristics see *"74HC/HCT/HCU/HCMOS Logic Family Specifications"*.

Output capability: standard

I<sub>CC</sub> category: MSI

**Note to HCT types**

The value of additional quiescent supply current ( $\Delta I_{CC}$ ) for a unit load of 1 is given in the family specifications. To determine  $\Delta I_{CC}$  per input, multiply this value by the unit load coefficient shown in the table below.

INPUT	UNIT LOAD COEFFICIENT
D <sub>n</sub>	0.35
CP <sub>U</sub> , CP <sub>D</sub>	1.40
$\overline{PL}$	0.65
MR	1.05

# Pre-settable synchronous BCD decade up/down counter

74HC/HCT192

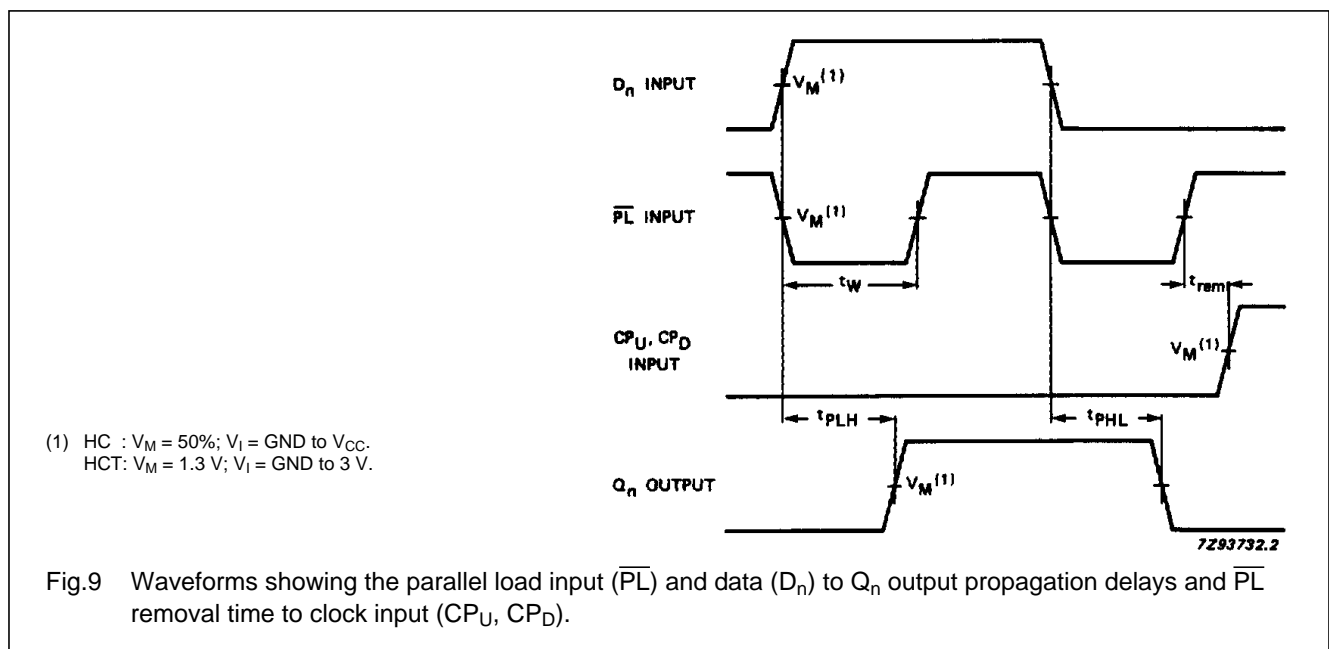
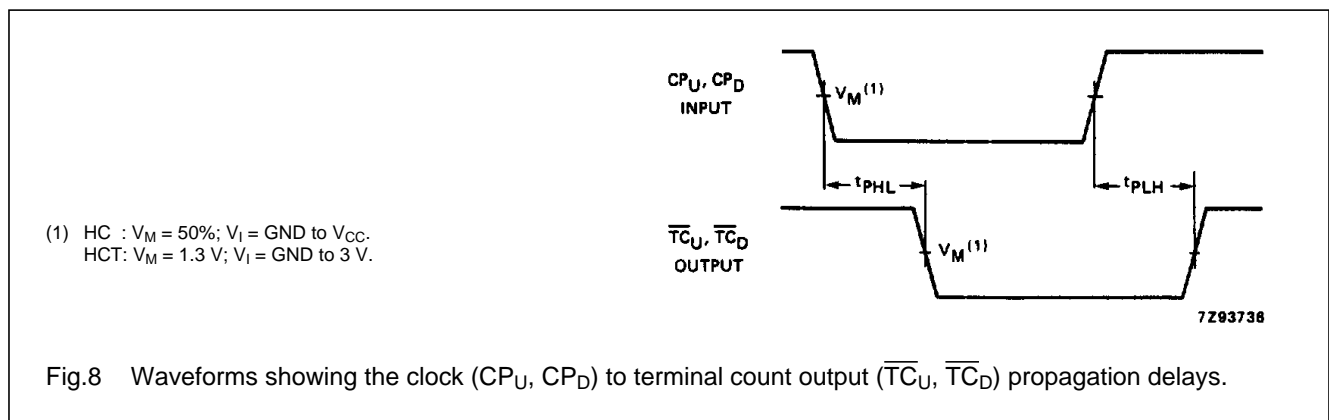
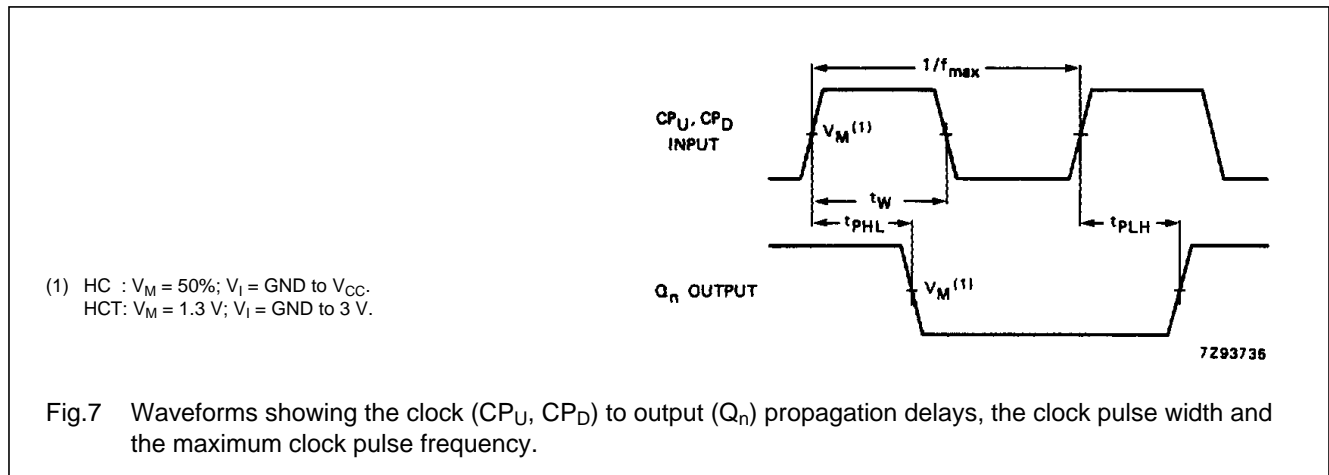
**AC CHARACTERISTICS FOR 74HCT**GND = 0 V;  $t_r = t_f = 6$  ns;  $C_L = 50$  pF

SYMBOL	PARAMETER	T <sub>amb</sub> (°C)								UNIT	TEST CONDITIONS	
		74HCT									V <sub>CC</sub> (V)	WAVEFORMS
		+25			-40 to +85		-40 to +125					
		min.	typ.	max.	min.	max.	min.	max.				
t <sub>PHL</sub> / t <sub>PLH</sub>	propagation delay CP <sub>U</sub> , CP <sub>D</sub> to Q <sub>n</sub>		23	43		54		65	ns	4.5	Fig.7	
t <sub>PHL</sub> / t <sub>PLH</sub>	propagation delay CP <sub>U</sub> to $\overline{TC}_U$		16	30		38		45	ns	4.5	Fig.8	
t <sub>PHL</sub> / t <sub>PLH</sub>	propagation delay CP <sub>D</sub> to $\overline{TC}_D$		17	30		38		45	ns	4.5	Fig.8	
t <sub>PHL</sub> / t <sub>PLH</sub>	propagation delay PL to Q <sub>n</sub>		28	46		58		69	ns	4.5	Fig.9	
t <sub>PHL</sub>	propagation delay MR to Q <sub>n</sub>		24	40		50		60	ns	4.5	Fig.10	
t <sub>PHL</sub> / t <sub>PLH</sub>	propagation delay D <sub>n</sub> to Q <sub>n</sub>		36	62		78		93	ns	4.5	Fig.9	
t <sub>PHL</sub> / t <sub>PLH</sub>	propagation delay PL to $\overline{TC}_U$ , PL to $\overline{TC}_D$		36	64		80		96	ns	4.5	Fig.12	
t <sub>PHL</sub> / t <sub>PLH</sub>	propagation delay MR to $\overline{TC}_U$ , MR to $\overline{TC}_D$		36	64		80		96	ns	4.5	Fig.12	
t <sub>PHL</sub> / t <sub>PLH</sub>	propagation delay D <sub>n</sub> to $\overline{TC}_U$ , D <sub>n</sub> to $\overline{TC}_D$		33	58		73		87	ns	4.5	Fig.12	
t <sub>THL</sub> / t <sub>TLH</sub>	output transition time		7	15		19		22	ns	4.5	Fig.10	
t <sub>w</sub>	up, down clock pulse width HIGH or LOW	25	14		31		38		ns	4.5	Fig.7	
t <sub>w</sub>	master reset pulse width HIGH	16	6		20		24		ns	4.5	Fig.10	
t <sub>w</sub>	parallel load pulse width LOW	20	10		25		30		ns	4.5	Fig.9	
t <sub>rem</sub>	removal time PL to CP <sub>U</sub> , CP <sub>D</sub>	10	1		13		15		ns	4.5	Fig.9	
t <sub>rem</sub>	removal time MR to CP <sub>U</sub> , CP <sub>D</sub>	10	2		13		15		ns	4.5	Fig.10	
t <sub>su</sub>	set-up time D <sub>n</sub> to PL	16	8		20		24		ns	4.5	Fig.11 note: CP <sub>U</sub> = CP <sub>D</sub> = HIGH	
t <sub>h</sub>	hold time D <sub>n</sub> to PL	0	-6		0		0		ns	4.5	Fig.11	
t <sub>h</sub>	hold time CP <sub>U</sub> to CP <sub>D</sub> , CP <sub>D</sub> to CP <sub>U</sub>	20	9		25		30		ns	4.5	Fig.13	
f <sub>max</sub>	maximum up, down clock pulse frequency	20	41		16		13		MHz	4.5	Fig.7	

Pre-settable synchronous BCD decade  
up/down counter

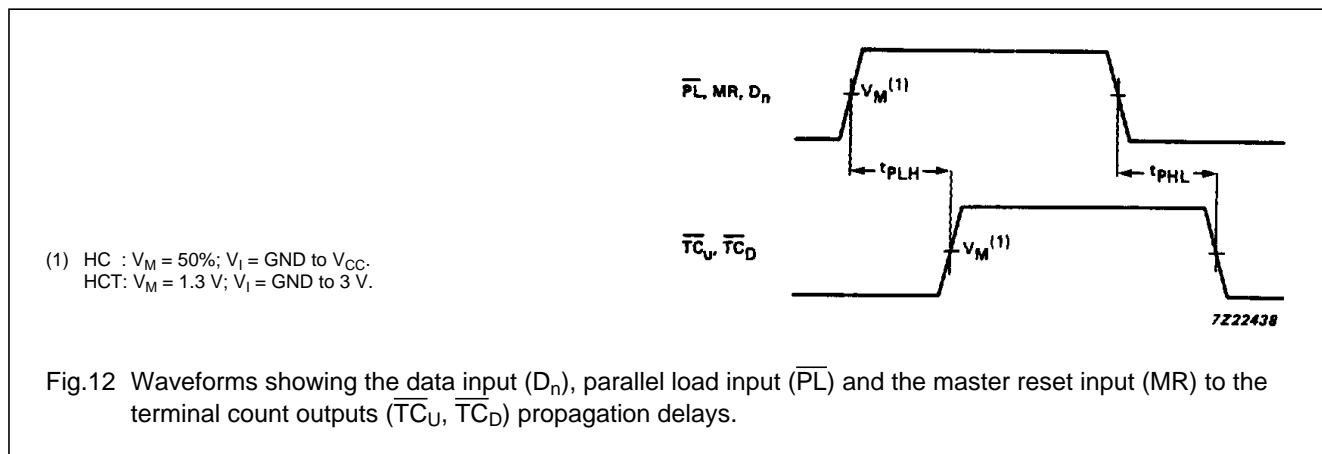
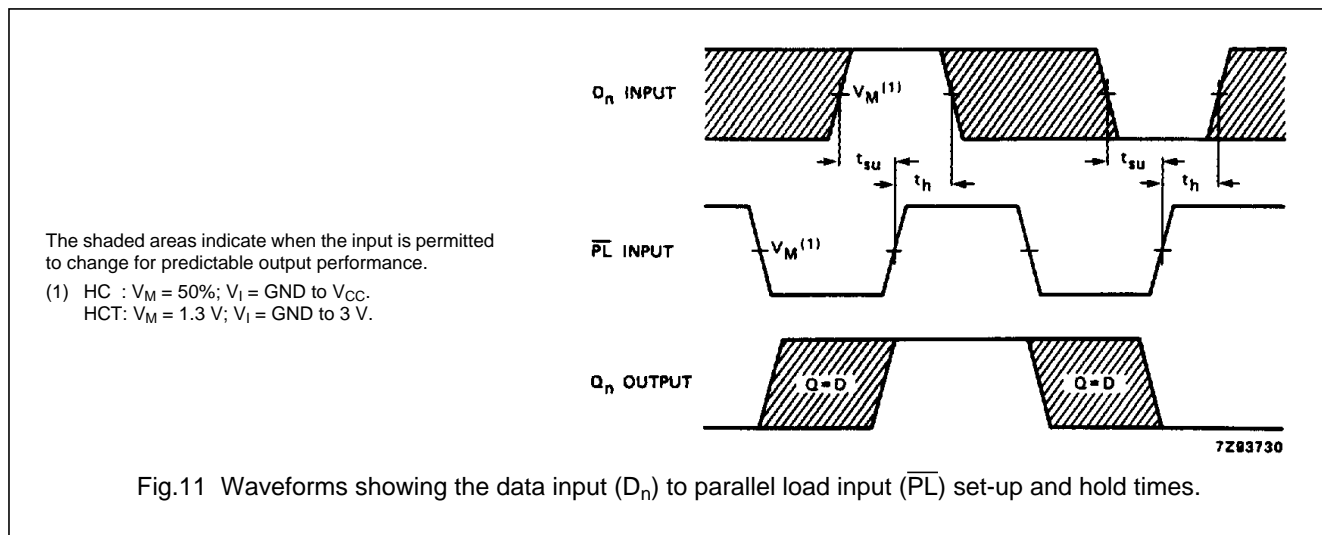
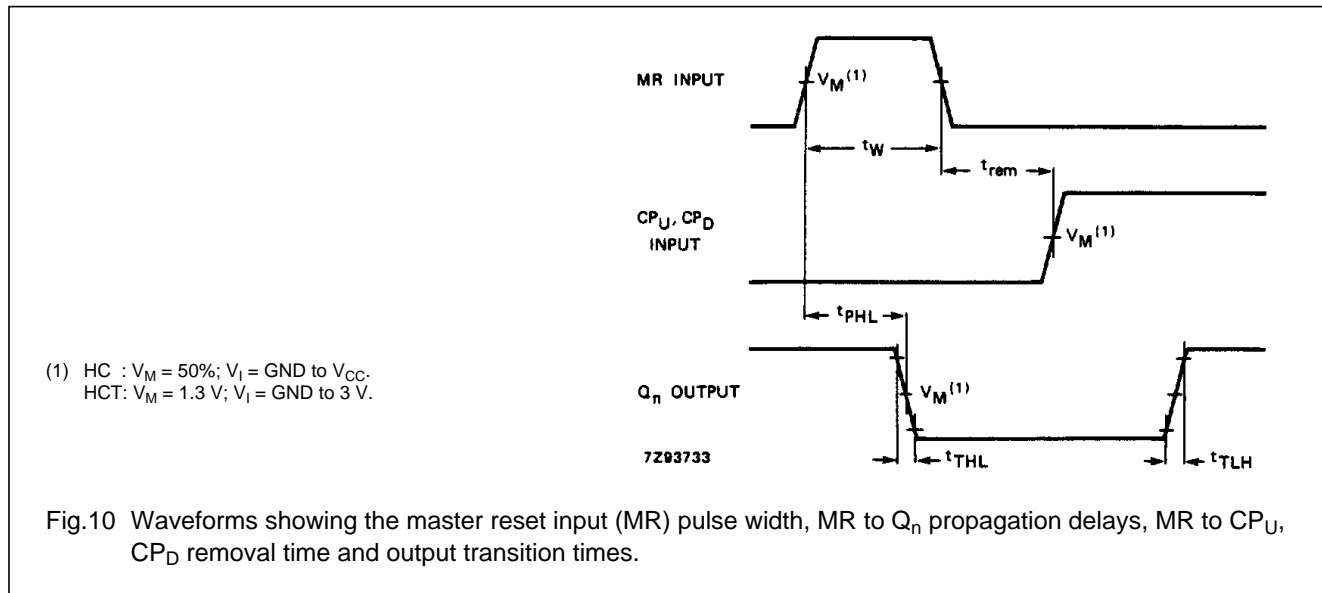
74HC/HCT192

AC WAVEFORMS



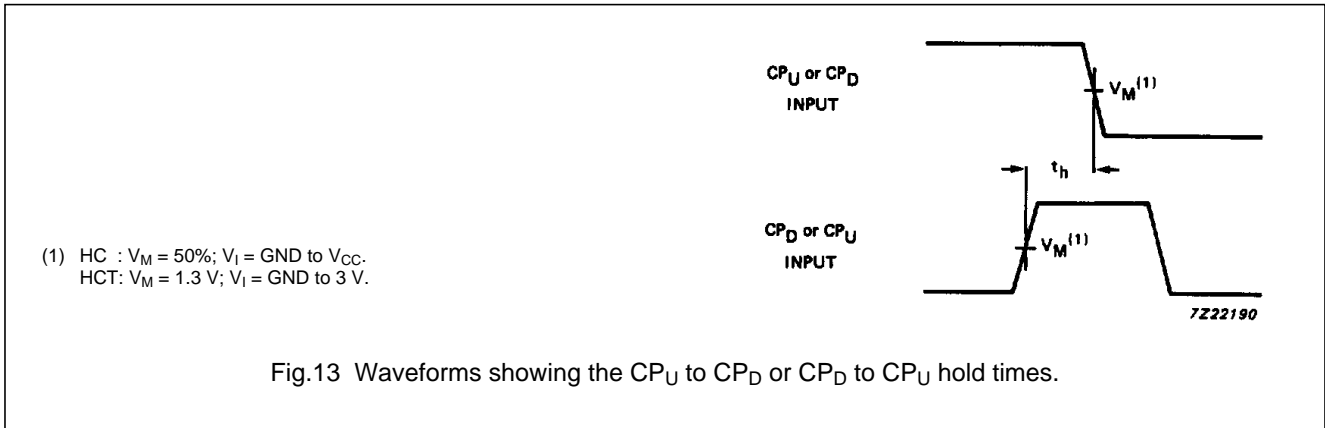
Presettable synchronous BCD decade  
up/down counter

74HC/HCT192

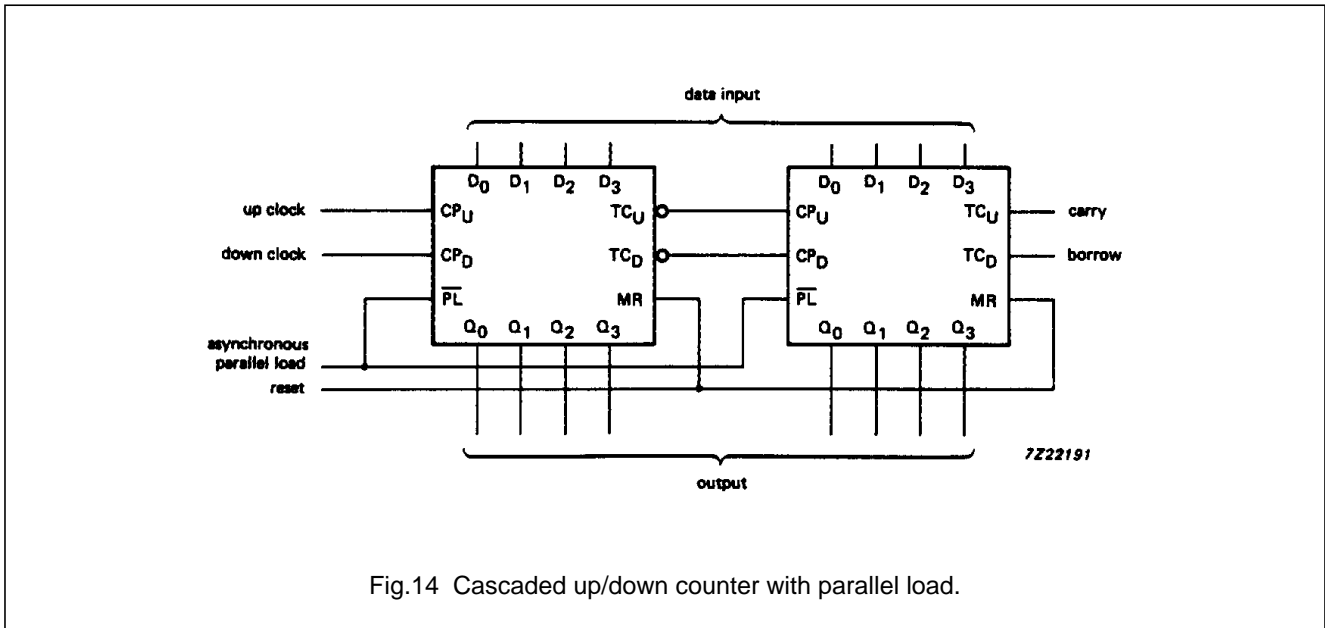


Pre-settable synchronous BCD decade  
up/down counter

74HC/HCT192



APPLICATION INFORMATION



PACKAGE OUTLINES

See "74HC/HCT/HCU/HCMOS Logic Package Outlines".



LittleDiode supplies new, hard to find or obsolete electronic components and semiconductors all over the world.

With over two million different components listed you are sure to find the part you need.

Feel free to visit us today at our online store:

[LittleDiode.com](http://LittleDiode.com)

Looking forward to providing you with the best possible service.