

## DS7640/DS8640 Quad NOR Unified Bus Receiver

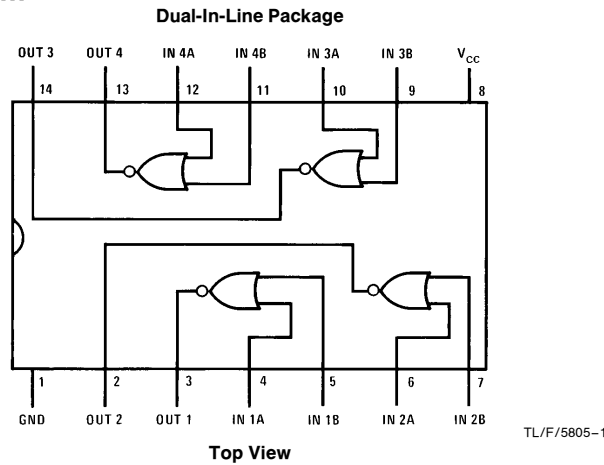
### General Description

The DS7640 and DS8640 are quad 2-input receivers designed for use in bus organized data transmission systems interconnected by terminated 120Ω impedance lines. The external termination is intended to be 180Ω resistor from the bus to the +5V logic supply together with a 390Ω resistor from the bus to ground. The design employs a built-in input threshold providing substantial noise immunity. Low input current allows up to 27 driver/receiver pairs to utilize a common bus.

### Features

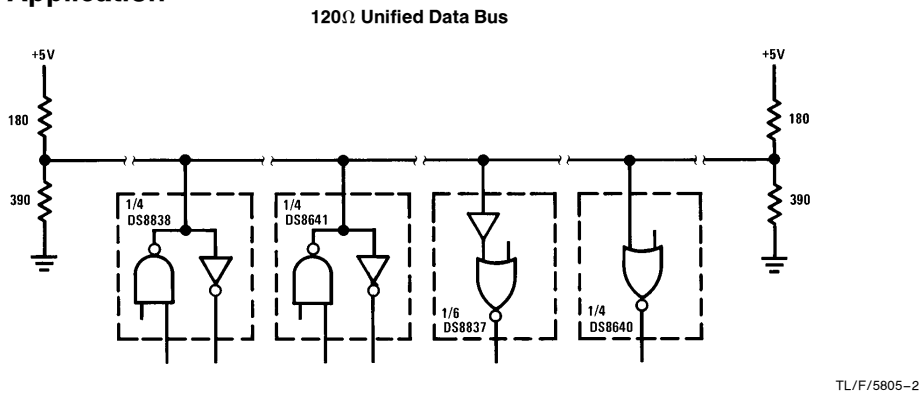
- Low input current with normal  $V_{CC}$  or  $V_{CC} = 0V$  (30  $\mu A$  typ)
- High noise immunity (1.1V typ)
- Temperature-insensitive input thresholds track bus logic levels
- TTL compatible output
- Matched, optimized noise immunity for "1" and "0" levels
- High speed (19 ns typ)

### Connection Diagram



Order Number DS7640J or DS8640N  
See NS Package Number J14A or N14A

### Typical Application



## Absolute Maximum Ratings (Note 1)

If Military/Aerospace specified devices are required, please contact the National Semiconductor Sales Office/Distributors for availability and specifications.

Supply Voltage	7.0V
Input Voltage	5.5V
Storage Temperature Range	-65°C to +150°C
Maximum Power Dissipation* at 25°C	
Cavity Package	1308 mW
Molded Package	1207 mW
Lead Temperature (Soldering, 4 seconds)	260°C

\*Derate cavity package 8.7 mW/°C above 25°C; derate molded package 9.7 mW/°C above 25°C.

## Operating Conditions

	Min	Max	Units
Supply Voltage ( $V_{CC}$ )			
DS7640	4.5	5.5	V
DS8640	4.75	5.25	V
Temperature ( $T_A$ )			
DS7640	-55	+125	°C
DS8640	0	+70	°C

## Electrical Characteristics

The following apply for  $V_{MIN} \leq V_{CC} \leq V_{MAX}$ ,  $T_{MIN} \leq T_A \leq T_{MAX}$ , unless otherwise specified (Notes 2 and 3)

Symbol	Parameter	Conditions	Min	Typ	Max	Units	
$V_{IH}$	High Level Input Threshold	$V_{OUT} = V_{OL}$	DS7640	1.80	1.50		V
			DS8640	1.70	1.50		V
$V_{IL}$	Low Level Input Threshold	$V_{OUT} = V_{OH}$	DS7640		1.50	1.20	V
			DS8640		1.50	1.30	V
$I_{IH}$	Maximum Input Current	$V_{IN} = 4V$	$V_{CC} = V_{MAX}$		30	80	$\mu A$
			$V_{CC} = 0V$		1.0	50	$\mu A$
$I_{IL}$	Maximum Input Current	$V_{IN} = 0.4V$ , $V_{CC} = V_{MAX}$		1.0	50	$\mu A$	
$V_{OH}$	Output Voltage	$I_{OH} = -400 \mu A$ , $V_{IN} = V_{IL}$	2.4			V	
$V_{OL}$	Output Voltage	$I_{OL} = 16 mA$ , $V_{IN} = V_{IH}$		0.25	0.4	V	
$I_{OS}$	Output Short Circuit Current	$V_{IN} = 0.5V$ , $V_{OS} = 0V$ , $V_{CC} = V_{MAX}$ , (Note 4)	-18		-55	mA	
$I_{CC}$	Power Supply Current	$V_{IN} = 4V$ , (Per Package)		25	40	mA	

## Switching Characteristics $T_A = 25^\circ C$ , nominal power supplies unless otherwise noted

Symbol	Parameter	Conditions	Min	Typ	Max	Units	
$t_{pd}$	Propagation Delays	(Notes 5 and 6)	Input to Logic "1" Output	10	23	35	ns
			Input to Logic "0" Output	10	15	30	ns

**Note 1:** "Absolute Maximum Ratings" are those values beyond which the safety of the device cannot be guaranteed. Except for "Operating Temperature Range" they are not meant to imply that the devices should be operated at these limits. The table of "Electrical Characteristics" provides conditions for actual device operation.

**Note 2:** Unless otherwise specified min/max limits apply across the -55°C to +125°C temperature range for the DS7640 and across the 0°C to +70°C range for the DS8640. All typical values are  $T_A = 25^\circ C$  and  $V_{CC} = 5V$ .

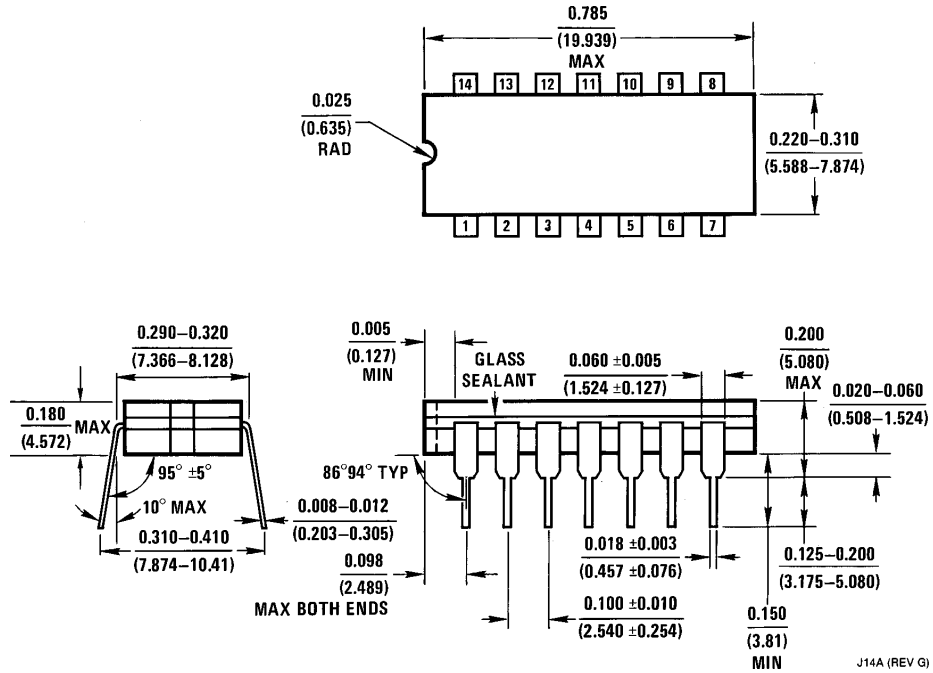
**Note 3:** All currents into device pins shown as positive, out of device pins as negative, all voltages referenced to ground unless otherwise noted. All values shown as max or min on absolute value basis.

**Note 4:** Only one output at a time should be shorted.

**Note 5:** Fan-out of 10 load,  $C_{LOAD} = 15 pF$  total, measured from  $V_{IN} = 1.5V$  to  $V_{OUT} = 1.5V$ ,  $V_{IN} = 0V$  to 3V pulse.

**Note 6:** Apply to  $V_{CC} = 5V$ ,  $T_A = 25^\circ C$ .

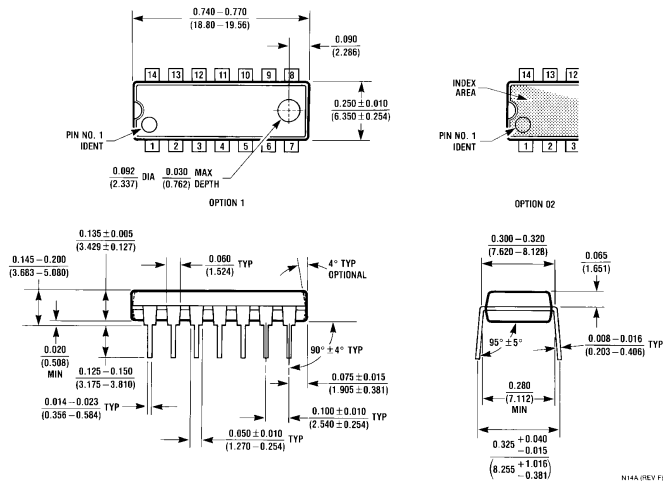
**Physical Dimensions** inches (millimeters)



**Ceramic Dual-In-Line Package (J)**  
**Order Number DS7640J**  
**NS Package Number J14A**

J14A (REV G)

**Physical Dimensions** inches (millimeters) (Continued)




**Molded Dual-In-Line Package (N)**  
**Order Number DS8640N**  
**NS Package Number N14A**

**LIFE SUPPORT POLICY**

NATIONAL'S PRODUCTS ARE NOT AUTHORIZED FOR USE AS CRITICAL COMPONENTS IN LIFE SUPPORT DEVICES OR SYSTEMS WITHOUT THE EXPRESS WRITTEN APPROVAL OF THE PRESIDENT OF NATIONAL SEMICONDUCTOR CORPORATION. As used herein:

1. Life support devices or systems are devices or systems which, (a) are intended for surgical implant into the body, or (b) support or sustain life, and whose failure to perform, when properly used in accordance with instructions for use provided in the labeling, can be reasonably expected to result in a significant injury to the user.
2. A critical component is any component of a life support device or system whose failure to perform can be reasonably expected to cause the failure of the life support device or system, or to affect its safety or effectiveness.

 <p><b>National Semiconductor Corporation</b>            1111 West Bardin Road            Arlington, TX 76017            Tel: 1(800) 272-9959            Fax: 1(800) 737-7018  <a href="http://www.national.com">http://www.national.com</a></p>	<p><b>National Semiconductor Europe</b>            Fax: +49 (0) 180-530 85 86            Email: <a href="mailto:europe.support@nsc.com">europe.support@nsc.com</a>            Deutsch Tel: +49 (0) 180-530 85 85            English Tel: +49 (0) 180-532 78 32            Français Tel: +49 (0) 180-532 93 58            Italiano Tel: +49 (0) 180-534 16 80</p>	<p><b>National Semiconductor Hong Kong Ltd.</b>            19th Floor, Straight Block,            Ocean Centre, 5 Canton Rd.            Tsimshatsui, Kowloon            Hong Kong            Tel: (852) 2737-1600            Fax: (852) 2736-9960</p>	<p><b>National Semiconductor Japan Ltd.</b>            Tel: 81-043-299-2308            Fax: 81-043-299-2408</p>
---	--	---	---

National does not assume any responsibility for use of any circuitry described, no circuit patent licenses are implied and National reserves the right at any time without notice to change said circuitry and specifications.

# National Semiconductor was acquired by Texas Instruments.

[http://www.ti.com/corp/docs/investor\\_relations/pr\\_09\\_23\\_2011\\_national\\_semiconductor.html](http://www.ti.com/corp/docs/investor_relations/pr_09_23_2011_national_semiconductor.html)

This file is the datasheet for the following electronic components:

DS7640 - <http://www.ti.com/product/ds7640?HQS=TI-null-null-dscatalog-df-pf-null-ww>

DS8640 - <http://www.ti.com/product/ds8640?HQS=TI-null-null-dscatalog-df-pf-null-ww>



LittleDiode supplies new, hard to find or obsolete electronic components and semiconductors all over the world.

With over two million different components listed you are sure to find the part you need.

Feel free to visit us today at our online store:

[LittleDiode.com](http://LittleDiode.com)

Looking forward to providing you with the best possible service.