

DS8973 9-Digit LED Driver

General Description

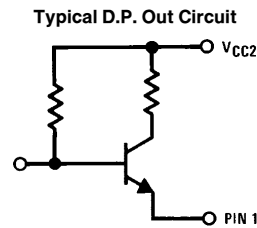
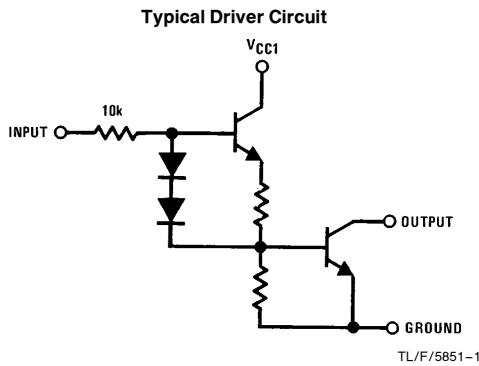
The DS8973 is a 9-digit driver designed to operate from 3-cell battery supplies. Each driver will sink 100 mA or less than 0.7V when driven by only 0.1 mA. Each input is blocked by diodes so that the input can be driven below ground with virtually no current drain. This is especially important in calculator systems employing a DC-to-DC converter on the negative side of the battery. If the converter were on the positive side of the battery, the converter would have to handle all of the display current, as well as the MOS calculator chip current. But if it is on the negative side, it only has

to handle the MOS current. The DS8973 is designed for the more efficient operating mode.

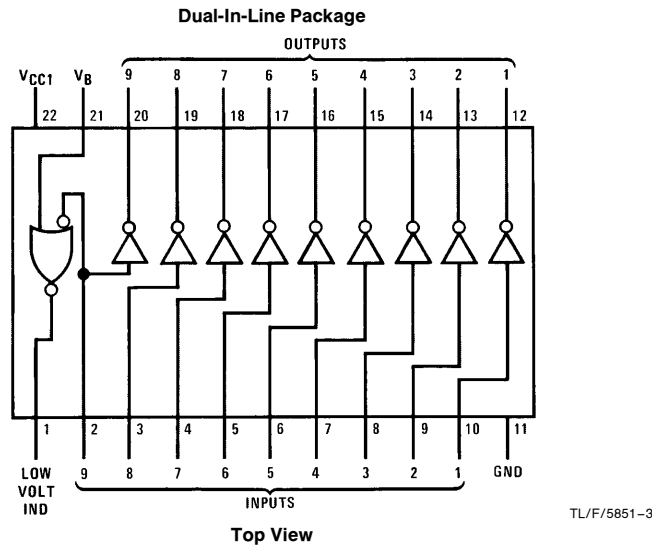
Features

- Nine complete digit drivers
- Built-in low battery indicator
- High current outputs—100 mA
- Straight through pin out for easy board layout

Equivalent Circuit Diagrams



Connection Diagram



Absolute Maximum Ratings (Note 1)

If Military/Aerospace specified devices are required, please contact the National Semiconductor Sales Office/Distributors for availability and specifications.

Supply Voltage	10V
Input Voltage	10V
Output Voltage	10V
Storage Temperature Range	-65°C to +150°C
Maximum Power Dissipation* at 25°C	
Molded Package	1673 mW
Lead Temperature (Soldering, 4 seconds)	260°C

*Derate molded package 13.39 mW/°C above 25°C.

Operating Conditions

	Min	Max	Units
Supply Voltage (V_B)	3.0	5.5	V
Supply Voltage (V_{CC1})	3.0	9.5	V
Temperature (T_A)	0	+70	°C

Electrical Characteristics

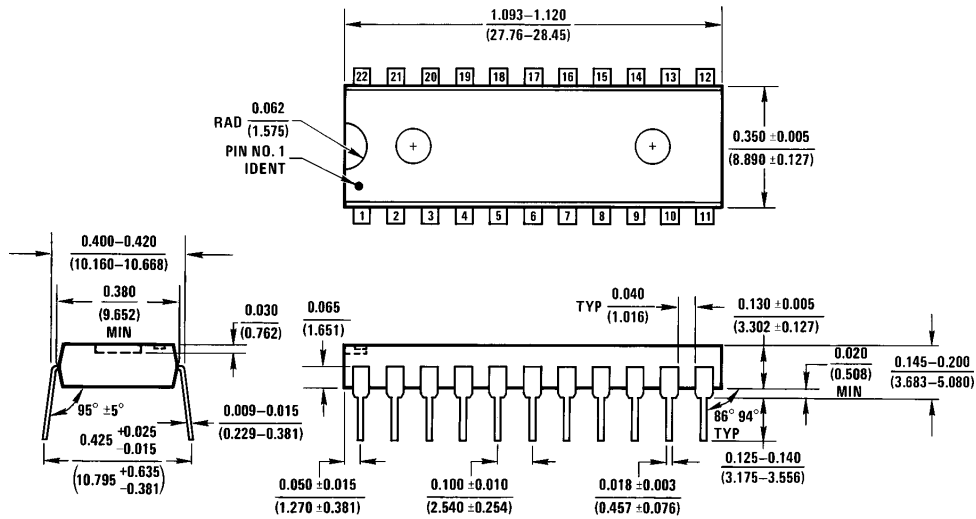
Symbol	Parameter	Conditions	Min	Typ	Max	Units
V_{IH}	Logical "1" Input Voltage	$V_{CC} = \text{Max}$	3.9			V
I_{IH}	Logical "1" Input Current	$V_{CC} = \text{Max}, V_{IH} = 3.9V$	0.1		0.3	mA
V_{IL}	Logical "0" Input Voltage	$V_{CC} = \text{Max}$			0.5	V
I_{IL}	Logical "0" Input Current	$V_{CC} = \text{Max}, V_{IL} = 0.5V$			40	μA
V_{BH}	High Battery Threshold	$V_{OT}(\text{Pin 1}) = 1V, I_{OT} \leq -50 \mu A,$ $T_A = 25^\circ C, V_{IH}(\text{Pin 2}) = 3.9V$	DS8973 3.6			V
V_{BL}	Low Battery Threshold	$V_{OT}(\text{Pin 1}) = 2.1V, I_{OT} \leq -6 \text{ mA},$ $T_A = 25^\circ C, V_{IH}(\text{Pin 2}) = 3.9V$	DS8973		3.2	V
I_{CEX}	Logical "1" Output Current	$V_{CC} = \text{Min}, V_{OH} = 9.5V, V_{IL} = 0.5V$			50	μA
V_{OL}	Logical "0" Output Voltage	$V_{CC} = \text{Min}, I_{OL} = 100 \text{ mA}, V_{IH} = 3.9V$			0.7	V
I_{CC1}	Supply Current	$V_{CC} = \text{Max}, \text{One Input "ON"}$			6	mA
I_B	Pin 21 (High Battery Supply)	$V_{CC} = \text{Max}, V_B = \text{Max}$			1.2	mA

Note 1: "Absolute Maximum Ratings" are those values beyond which the safety of the device cannot be guaranteed. They are not meant to imply that the devices should be operated at these limits. The table of "Electrical Characteristics" provides conditions for actual device operation.

Note 2: Unless otherwise specified, min/max limits apply across the 0°C to +70°C range. All typicals are given for $T_A = 25^\circ C$.

Note 3: All currents into device pins shown as positive, out of device pins as negative, all voltages referenced to ground unless otherwise noted. All values shown as max or min on absolute value basis.

Physical Dimensions inches (millimeters)



Molded Dual-In-Line Package (N)
Order Number DS8973N
NS Package Number N22A

N22A (REV D)

LIFE SUPPORT POLICY

NATIONAL'S PRODUCTS ARE NOT AUTHORIZED FOR USE AS CRITICAL COMPONENTS IN LIFE SUPPORT DEVICES OR SYSTEMS WITHOUT THE EXPRESS WRITTEN APPROVAL OF THE PRESIDENT OF NATIONAL SEMICONDUCTOR CORPORATION. As used herein:

1. Life support devices or systems are devices or systems which, (a) are intended for surgical implant into the body, or (b) support or sustain life, and whose failure to perform, when properly used in accordance with instructions for use provided in the labeling, can be reasonably expected to result in a significant injury to the user.
2. A critical component is any component of a life support device or system whose failure to perform can be reasonably expected to cause the failure of the life support device or system, or to affect its safety or effectiveness.



National Semiconductor Corporation
 1111 West Bardin Road
 Arlington, TX 76017
 Tel: 1(800) 272-9959
 Fax: 1(800) 737-7018

National Semiconductor Europe
 Fax: (+49) 0-180-530 85 86
 Email: cnjwge@tevm2.nsc.com
 Deutsch Tel: (+49) 0-180-530 85 85
 English Tel: (+49) 0-180-532 78 32
 Français Tel: (+49) 0-180-532 93 58
 Italiano Tel: (+49) 0-180-534 16 80

National Semiconductor Hong Kong Ltd.
 19th Floor, Straight Block,
 Ocean Centre, 5 Canton Rd.
 Tsimshatsui, Kowloon
 Hong Kong
 Tel: (852) 2737-1600
 Fax: (852) 2736-9960

National Semiconductor Japan Ltd.
 Tel: 81-043-299-2309
 Fax: 81-043-299-2408

National does not assume any responsibility for use of any circuitry described, no circuit patent licenses are implied and National reserves the right at any time without notice to change said circuitry and specifications.

National Semiconductor was acquired by Texas Instruments.

http://www.ti.com/corp/docs/investor_relations/pr_09_23_2011_national_semiconductor.html

This file is the datasheet for the following electronic components:

DS8973 - <http://www.ti.com/product/ds8973?HQS=TI-null-null-dscatalog-df-pf-null-ww>



LittleDiode supplies new, hard to find or obsolete electronic components and semiconductors all over the world.

With over two million different components listed you are sure to find the part you need.

Feel free to visit us today at our online store:

LittleDiode.com

Looking forward to providing you with the best possible service.