

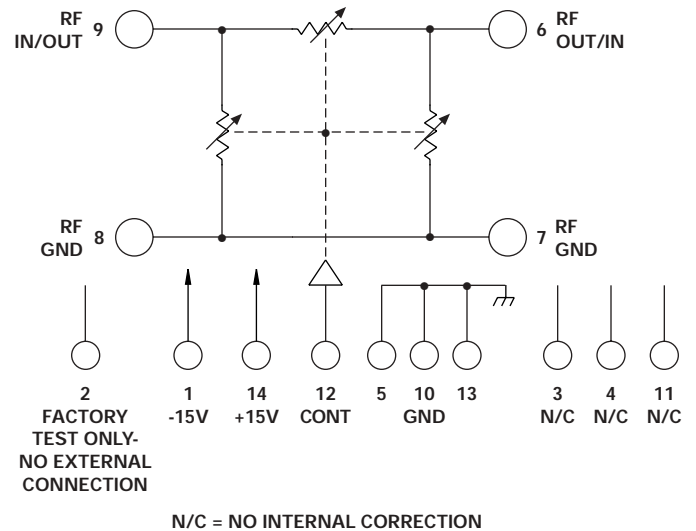
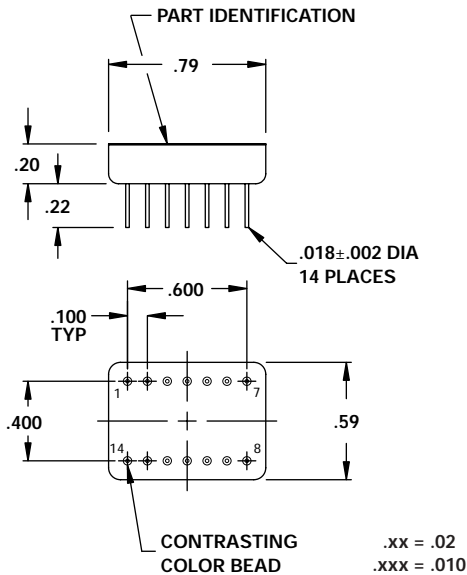
FEATURES

- 20 - 300 MHz
- 40 dB Linear Range Typical
- ± 2 dB Linearity
- 2 dB Insertion Loss
- 14 Pin DIP
- See DA0998 For Flat Pack Version
- See 100C0912 For Connectorized Version



MODEL NO.
DA0098

PIN Diode Linear VCA

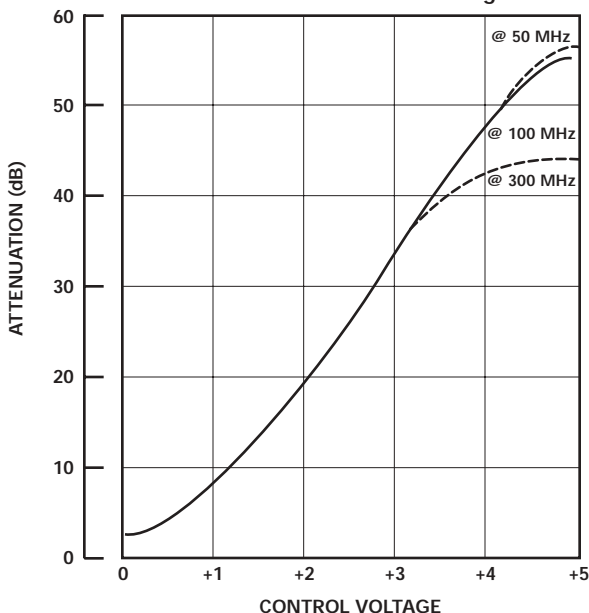


GUARANTEED PERFORMANCE

Parameter	Min	Typ	Max	Units	Conditions
Operating Frequency	20		300	MHz	
DC Current		42	65	mA	At +15 VDC Supply
(10k ohm Input Impedance)		80	110	mA	At -15 VDC Supply
Control Current			0.5	mA	0 V = Insertion Loss +5 V = Max. Atten.
Insertion Loss		1.3	2.0	dB	At 0 V Control
Attenuation	Range	40	50	dB	At 100 MHz
	Slope		15 ± 3	dB/V	
	Linearity		± 2	dB	Best Straight Line Fit From IL +2 dB to 40 dB
VSWR			1.4/1		
Impedance		50		OHMS	
Slew Rate		6		dB/μs	
RF Power	Operate		+10	dBm	
	No Damage		+20	dBm	
Operating Temperature	-55	+25	+85	°C	TA

TYPICAL PERFORMANCE

Attenuation vs Control Voltage





LittleDiode supplies new, hard to find or obsolete electronic components and semiconductors all over the world.

With over two million different components listed you are sure to find the part you need.

Feel free to visit us today at our online store:

LittleDiode.com

Looking forward to providing you with the best possible service.