

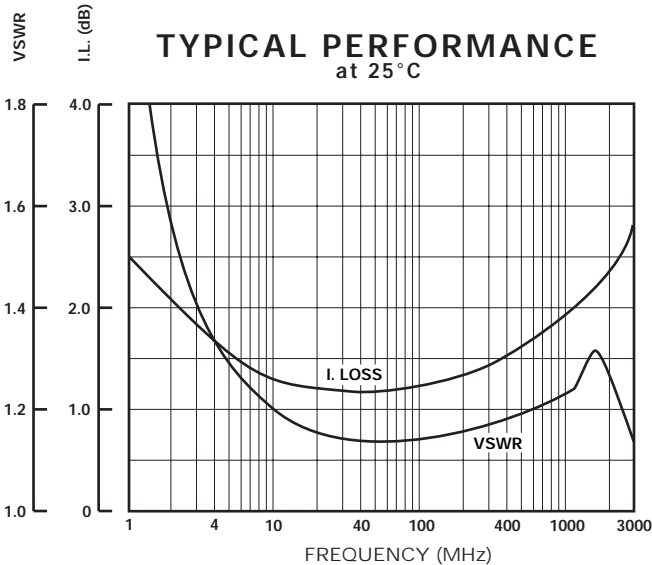
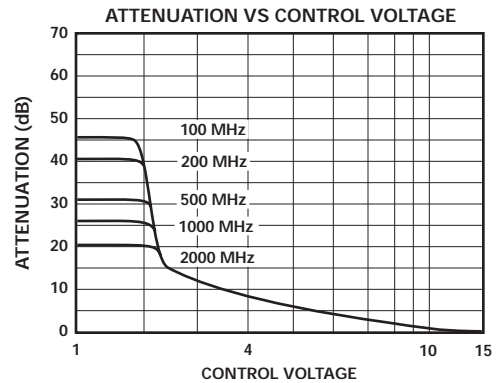
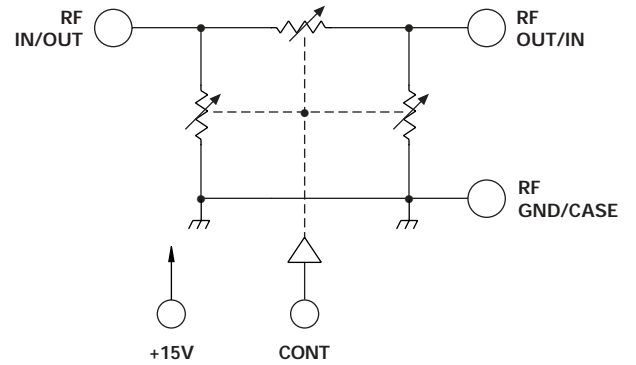
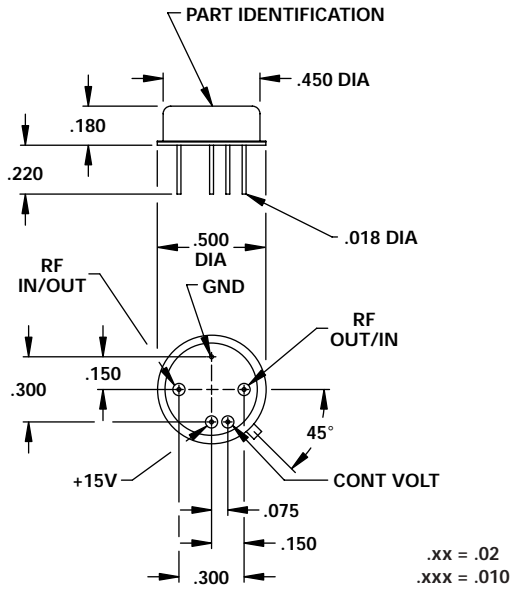
## FEATURES

- 5 - 2000 MHz
- 34 dB Range
- TO-8 Package
- Low Cost



MODEL NO.  
DA0645

PIN Diode VCA



## GUARANTEED PERFORMANCE

Parameter	Min	Typ	Max	Units	Conditions
Operating Frequency	5		2000	MHz	
DC Current					At +15 V TYP, 18 V Max VC = 0 V to +15 V
		Supply	11	mA	
		Control	4	mA	
Response Time		100	125	µSec	0% / 100%
		60		µSec	10% / 90%
Insertion Loss		1.7	2.5	dB	5 - 1000 MHz
		2.0	3.0	dB	1000 - 2000 MHz
Attenuation					
	Range	31	34	dB	5 - 500 MHz
		25	28	dB	500 - 1000 MHz
		18	21	dB	1000 - 2000 MHz
	Flatness	±0.5	±1.0	dB	5 - 1000 MHz, 0 - 15 dB Atten.
VSWR		1.20/1	2.0/1		5 - 1000 MHz
		1.30/1	2.2/1		1000 - 2000 MHz
Impedance		50		OHMS	
Intercept Points					
	2nd	+82		dBm	70 MHz / 50 MHz
	3rd	+46		dBm	35 MHz / 50 MHz
	2nd	+56		dBm	70 MHz / 50 MHz, 16 dB Atten.
	3rd	+36		dBm	35 MHz / 50 MHz, 16 dB Atten.
RF Power					
	Operate	+21	+17	dBm	0.1 dBm Compression (F = 5 MHz, Vc = +15 V)
	No Damage		+20	dBm	
Operating Temperature	-55	+25	+125	°C	TA



LittleDiode supplies new, hard to find or obsolete electronic components and semiconductors all over the world.

With over two million different components listed you are sure to find the part you need.

Feel free to visit us today at our online store:

[LittleDiode.com](http://LittleDiode.com)

Looking forward to providing you with the best possible service.