

HA13440

Three-Phase Brushless DC Motor Driver

Description

The HA13440MP three-phase brushless DC motor drive (output current: 1.0 A/phase) is designed to drive FDD (Floppy Disk Drive) spindle motor.

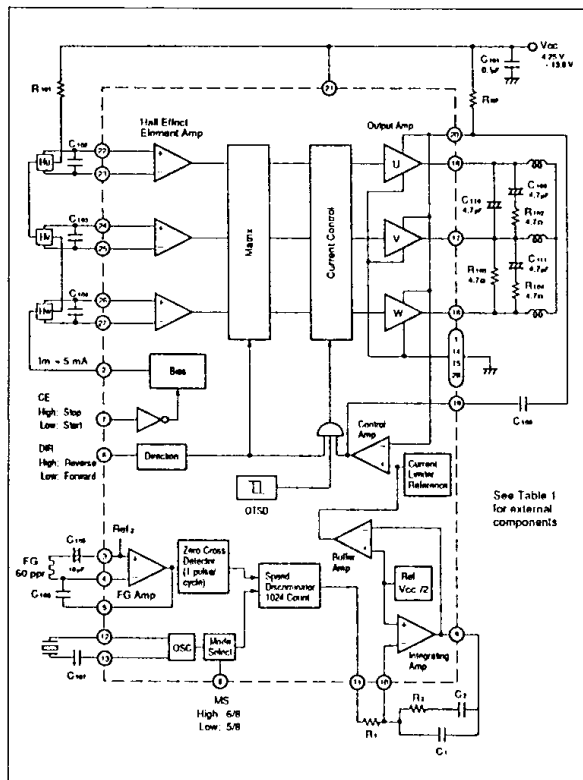
Functions

- 1.0 A three-phase output circuit
- Hall-effect element amp matrix
- Control amp (current control)
- Direction control
- FG amp, zero cross detector
- Oscillation circuit
- Speed discriminator
- 300/360 rpm select
- Integrating amp
- Current limiter
- Over Temperature Shut Down (OTSD)
- Chip enable

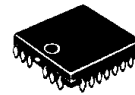
Features

- Servo system on a single chip
- Digital control requires no adjustment
- +5 V operation (operating voltage range: 4.25 to 13.8 V)
- Low power dissipation
- Small, low thermal resistance surface-mount package

Block Diagram

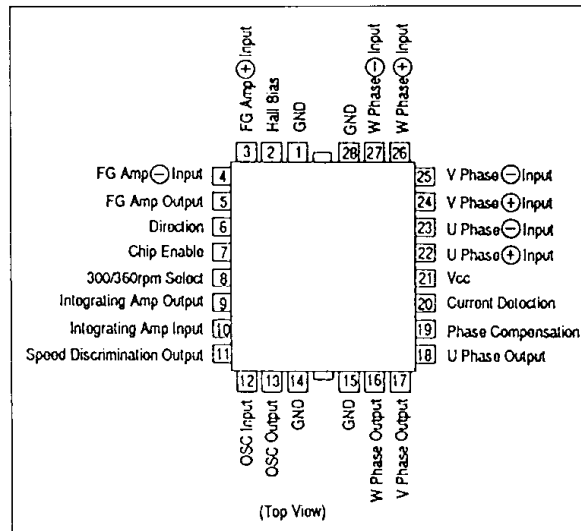


HA13440MP/HA13440NMP



(MP-28T)

Pin Arrangement



Ordering Information

Type No.	Package
HA13440	MP-28T
HA13440MS	MS-28
HA13440NMP	MP-28T



HA13440

Table 1 Truth Table

Chip Enable CE	Direction DIR	Hall-Effect Element Amp Input						Output		
		U+	U-	V+	V-	W+	W-	U	V	W
L	L	H	L	L	H	H	L	H	L	Open
		H	L	L	H	L	H	H	Open	L
		H	L	H	L	L	H	Open	H	L
		L	H	H	L	L	H	L	H	Open
		L	H	H	L	H	L	L	Open	H
		L	H	L	H	H	L	Open	L	H
	H	H	L	L	H	H	L	L	H	Open
		H	L	L	H	L	H	L	Open	H
		H	L	H	L	L	H	Open	L	H
		L	H	H	L	L	H	H	L	Open
		L	H	H	L	H	L	H	Open	L
		L	H	L	H	H	L	Open	H	L
H	X	X	X	X	X	X	X	Open	Open	Open

Table 2 External Components

Part No.	Recommended Value		Purpose	Note
	5 V/3.5" FDD	12 V/5.25" FDD		
R101, R102, R103	4.7 Ω	4.7 Ω	Stability	
R104	330 Ω	1.8 kΩ	Hall-effect element bias	
R1	56 kΩ	56 kΩ	Integral constant	
R2	150 kΩ	56 kΩ	Integral constant	
RNF	0.62 Ω	0.39 Ω	Current detection	1
C101, C102, C103	4.7 μF	4.7 μF	Stability	2



External Components (cont)

C104	0.1 μ F	0.1 μ F	Supply bypass	3
C105	10 μ F	10 μ F	FG amp AC coupling	
C106	4700 pF	4700 pF	FG amp band setting	
C107	47 pF	47 pF	Oscillation AC coupling	
C108	0.1 μ F	0.1 μ F	Control amp phase compensation	
C109, C110, C111	0.01 μ F	0.01 μ F	Stability	
C1	0.022 μ F	0.047 μ F	Integral constant	5
C2	0.22 μ F	0.47 μ F	Integral constant	5
X'tal	492 kHz	492 kHz		4

Notes: 1. Current limiter operates by the following equation:

$$I_{\text{max}} = \frac{V_{\text{ref1}}}{R_{\text{NF}}}$$

2. Use non-polar type.
3. Place as near the IC as possible.
4. Oscillation frequency (f_{osc}) is determined by the following equation:
 - (1) When 300/360 selection is high level,

$$f_{\text{osc}} = \frac{8192}{6} f_{\text{FG}} \quad (\text{Hz})$$

- (2) When 300/360 selection is low level,

$$f_{\text{osc}} = \frac{8192}{5} f_{\text{FG}} \quad (\text{Hz})$$

5. Use small leak current.

Table 3 Absolute Maximum Ratings (Ta= 25 °C)

Item	Symbol	Rating	Unit	Note
Supply voltage	V _{CC}	+15	V	1
Instantaneous output current	I _{OP}	1.0	A	2
Continuous output current	I _O	0.7	A	
Input voltage	V _{IN}	+7	V	3
Power dissipation	P _T	2	W	4

HA13440

Absolute Maximum Ratings (Ta=25 °C) (cont)

Junction temperature	Tj	150	°C	5
Storage temperature range	Tstg	-55 to +125	°C	

The absolute maximum ratings are limiting values, to be applied individually, beyond which the device may be permanently damaged. Functional operation under any of these conditions is not guaranteed. Exposing a circuit to its absolute maximum rating for extended periods of time may affect the device's reliability.

- Notes:
- Operating voltage range is:
Vcc = 4.25 to 13.8 V
 - t ≤ 0.5 second
 - Chip enable CE, direction DIR, and mode select MS terminals
 - Pin, 1, 14, 15, and 28=100 °C. Thermal resistance is:
θj-pin ≤ 25 °C/W
θj-a ≤ 55 °C/W(metal base substrate)
θj-a ≤ 80 °C/W(glass-epoxy board)
 - Operating junction temperature is:
Tjopr=0 to +125 °C

Table 4 Electrical Characteristics (Ta=25 °C, Vcc=4.25 to 13.8 V)

Item	Symbol	Min	Typ	Max	Unit	Test condition	Applicable Terminal	Note	
Quiescent current	Iq1	—	0.15	0.5	mA	CE=2 V	20, 21	1	
	Iq2	—	15	23	mA	CE=0.8 V, RL=Open	20, 21	1	
Input low voltage	VIL	—	—	0.8	V		6, 7, 8		
Input high voltage	VIH	2.0	—	Vcc	V				
Input low current	IL	—	—	±10	µA	VIL=0 V			
Input high current	IH	—	—	±10	µA	VIH=2 V			
Hall-effect element amp	Input current	IHB	—	—	±10	µA	VH=2 V	22 to 27	
	Common mode input voltage	VH	1.5	—	Vcc-1.0	V			
	Differential input voltage range	UH	70	—	200	mVpp			
Hall-effect element bias	Output voltage	VHB	1.2	1.6	2.0	V	CE=0.8 V, Ij=5 mA	2	
	Leak current	IH off	—	—	±10	µA	CE=2 V, Vce=15 V		



Electrical Characteristics (cont)

Output amp	Leak current	I_{CER}	—	—	100	μA	$C_E=2 V, V_{CE}=15 V$	16, 17, 18	
	Saturation voltage	V_{sat}	—	1.3	1.8	V	$I_o=0.7 A$		2
			—	1.0	1.2	V	$I_o=0.35 A$		2
Current limiter reference voltage	V_{ref1}	0.225	0.25	0.275	V			20	3
Control amp	Reference voltage	V_{ref2}	0.9 $V_{CC}/2$	$V_{CC}/2$	1.1 $V_{CC}/2V$			10	4
	Voltage gain	G_{CTL}	-12	-10	-8	dB		16, 17, 18	
	Voltage gain difference	ΔG_{CTL}	—	—	± 1.0	dB			
Integrating amp	Input current	I_{B1}	—	—	± 50	nA		10	
	Output voltage amplitude	A+	0.62	0.72	0.82	V	$I_{\text{load}}=0.5 mA$	9	5
		A-	-1.64	-1.44	-1.22	V	$I_{\text{load}}=-0.5 mA$		5
	Gain band width	BW_D	100	300	1000	kHz	$G_v=0 dB$		
Speed discriminator	Output high voltage	V_{DOH}	$V_{CC}-0.3$	—	—	V	$I_o=0.5 mA$	11	
	Output low voltage	V_{DOL}	—	—	0.3	V	$I_o=-0.5 mA$		
	Cut-off current	$I_{D off}$	—	—	± 50	nA	$V=2.5 V$		
	Operating frequency	f_D	—	—	1000	kHz			
	Count number	N_D	—	1024	—				
OSC	Oscillation frequency range	f_{osc}	—	—	1000	kHz		13	
	Oscillation frequency error	Δf_{osc}	—	—	± 0.2	%	492 kHz (ceramic oscillation)		

HA13440

Electrical Characteristics (cont)

FG amp	Voltage gain	GFG	39	41	43	dB	f=300 Hz	5
	Gain band width	BW ₂	5	10	20	kHz	C ₁₀₈ =0, GFG=-3 dB	
	Input resistance	R _i	120	180	240	Ω		3
	Distortionless output voltage	V _o	1.0	—	—	V _{rms}	f=300 Hz	5
Zero cross detection	Hysteresis	V _{hys}	35	50	65	mV		5
	Offset voltage	V _{os}	—	—	±10	mV		
OTSD	Operating temperature	T _{sd}	125	—	—	°C		
	Hysteresis	T _{hys}	—	25	—	°C		

- Notes:
1. Sum of pins ⑳, ㉑ current
 2. Sum of upper and lower transistor saturation voltage
 3. Measure from V_{cc} pin
 4. If V_{cc}>11.2 V, the value is 5.6 V ±10 %
 5. Measure from V_{ref2}



This datasheet has been downloaded from:

www.DatasheetCatalog.com

Datasheets for electronic components.



LittleDiode supplies new, hard to find or obsolete electronic components and semiconductors all over the world.

With over two million different components listed you are sure to find the part you need.

Feel free to visit us today at our online store:

LittleDiode.com

Looking forward to providing you with the best possible service.