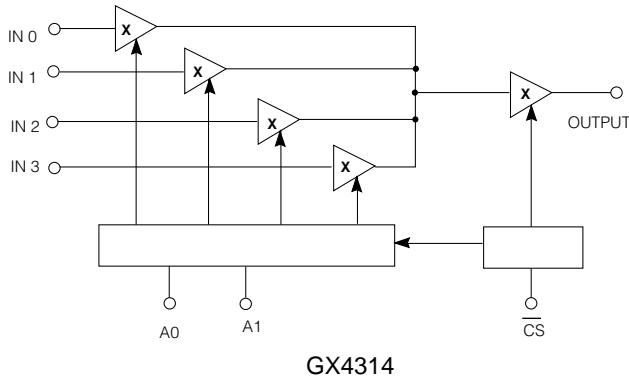


**FEATURES**

- low differential phase and gain
- wide bandwidth, 100 MHz at -1 dB (Flattened)
- small switching transient
- $\pm 4.5$  to  $\pm 11$  volts supplies

**FUNCTIONAL BLOCK DIAGRAM**



**TRUTH TABLE**

CS	A1	A0	OUTPUT
0	0	0	IN 0
0	0	1	IN 1
0	1	0	IN 2
0	1	1	IN 3
1	X	X	HI - Z

X = DONT CARE

**AVAILABLE PACKAGING**

- |             |                  |
|-------------|------------------|
| 14 pin PDIP | 16 pin SOIC      |
| 14 pin SOIC | Tape 16 pin SOIC |

**CIRCUIT DESCRIPTION**

The GX4314 is a wideband video multiplexer implemented in bipolar technology. This device is characterized by excellent differential phase and gain in the enabled state, very high off-isolation in the disabled state and fully buffered unilateral signal path. Make-before-break switching assures virtually glitch-free switching.

For use in NxM routing matrices, the GX4314 features a very high, nearly constant input impedance coupled with high output impedance in the disabled state. This allows multiple devices to be paralleled at the inputs and outputs without additional circuitry.

Logic inputs are TTL and 5V CMOS compatible, providing address and chip select functions. The operation of the devices is described in the Truth Table below.

The wideband GX4314 is pin for pin compatible with the high performance GX414, extending the flat frequency response characteristics from 50 to 100 MHz.

**APPLICATIONS**

- HDTV
- Very high quality video switching
- Very high density video switching
- Computer graphics
- PCM / data routing

**ORDERING INFORMATION**

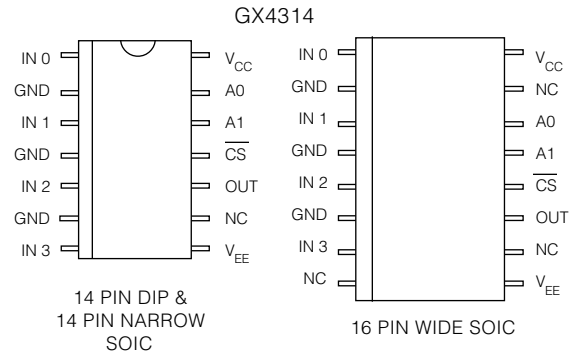
Part Number	Package Type	Temperature Range
GX4314 - CDB	14 pin PDIP	0 to 70°C
GX4314 - CKB	14 pin SOIC	0 to 70°C
GX4314 - CKC	16 pin SOIC	0 to 70°C
GX4314 - CTC	Tape 16 pin SOIC	0 to 70°C

**CAUTION**  
ELECTROSTATIC  
SENSITIVE DEVICES  
DO NOT OPEN PACKAGES OR HANDLE  
EXCEPT AT A STATIC-FREE WORKSTATION

## ABSOLUTE MAXIMUM RATINGS

Parameter	Value
Supply Voltage	$\pm 13.5V$
Operating Temperature Range	$0^{\circ}C \leq T_A \leq 70^{\circ}C$
Storage Temperature Range	$-65^{\circ}C \leq T_S \leq 150^{\circ}C$
Lead Temperature (Soldering, 10 Sec)	$260^{\circ}C$
Analog Input Voltage	$(V_{EE} - 1.4)$ or $-7.5 < V_A < (V_{CC} + 0.3)$ or $(V_{EE} + 15)V$
Logic Input Voltage	$-0.5V \leq V_L \leq +5.5V$

## PIN CONNECTIONS



## ELECTRICAL CHARACTERISTICS ( $V_S = \pm 8V$ DC, $0^{\circ}C \leq T_A \leq 70^{\circ}C$ , $R_L = 10k\Omega$ , $C_L = 30$ pF, unless otherwise shown.)

	PARAMETER	SYMBOL	CONDITIONS	MIN	TYP	MAX	UNITS
DC SUPPLY	Supply Voltage	$\pm V_S$	Operating Range	$\pm 4.5$	-	$\pm 11$	V
	Supply Current	$I^+$	$\overline{CS} = 0$	-	22	25	mA
		$I^-$	$\overline{CS} = 0$	-	22	25	mA
		$I^+$	$\overline{CS} = 1$	-	270	350	$\mu A$
$I^-$		$\overline{CS} = 1$	-	350	600	$\mu A$	
STATIC	Analog Output Voltage Swing	$V_{OUT}$	Extremes before clipping occurs	-2.4	-	2.6	V
	Analog Input Bias Current	$I_{BIAS}$		-	11	-	$\mu A$
	Output Offset Voltage	$V_{OS}$	$T_A = 25^{\circ}C$	7	14	21	mV
	Output Offset Voltage Drift	$\Delta V_{OS}$		-	160	-	$\mu V/^{\circ}C$
LOGIC	Chip Enable Time	$t_{ON}$	Enable input to appearance of signal	-	200	400	ns
	Chip Disable Time	$t_{OFF}$	Enable input to disappearance of signal at output.	0.6	1.2	-	$\mu s$
	Logic Input Thresholds	$V_{IH}$	1	2.0	-	-	V
		$V_{IL}$	0	-	-	0.8	V
Logic Input Current	$I_L$		-	-	4	$\mu A$	
DYNAMIC	Insertion Loss	I.L.	1V p-p sine or sq. wave at 100 kHz	0.025	0.038	0.050	dB
	Bandwidth (-3dB)	B.W.	small signal $C_L = 0$ pF	-	300	-	MHz
	Input Resistance	$R_{IN}$	$\overline{CS} = 0$ , crosspoint on	0.5	-	-	$M\Omega$
	Input Capacitance	$C_{IN}$	$\overline{CS} = 0$ , crosspoint on	-	1.4	-	pF
	Output Resistance	$R_{OUT}$	$\overline{CS} = 0$ , crosspoint on	-	6	-	$\Omega$
	Output Capacitance	$C_{OUT}$	$\overline{CS} = 1$ , chip disabled	-	2.6	-	pF
	Differential Gain	dg	$f = 3.58$ MHz, $V_{IN} = 40$ IRE	-	-	0.03	%
	Differential Phase	dp	$f = 3.58$ MHz, $V_{IN} = 40$ IRE	-	-	0.02	deg
	All Hostile Crosstalk	$XTLK_{AH}$	1Vp-p on 3 inputs 4th input has $10\Omega$ resistor to gnd $f=30$ MHz	-	70	-	dB
	Chip Disabled Crosstalk	$XTLK_{CD}$	Enabled device on O/P $f=100$ MHz	-	80	-	dB
	Slew Rate	+SR	$V_{IN} = 1V$ p-p ( $C_L = 10$ pF)	1000	1500	-	V/ $\mu s$
		-SR	$V_{IN} = 1V$ p-p ( $C_L = 10$ pF)	440	660	-	V/ $\mu s$
	Gain Spread at 30 MHz	$\Delta A_V$		-	-	$\pm 0.05$	dB
Crosspoint Scatter		$R_S = 75 \Omega$	$T_A = 25^{\circ}C$	-	-	$\pm 0.15$	deg
		$f = 3.58$ MHz	$0^{\circ}C < T_A < 70^{\circ}C$	-	-	$\pm 0.25$	deg

## TYPICAL PERFORMANCE CURVES FOR GX4314

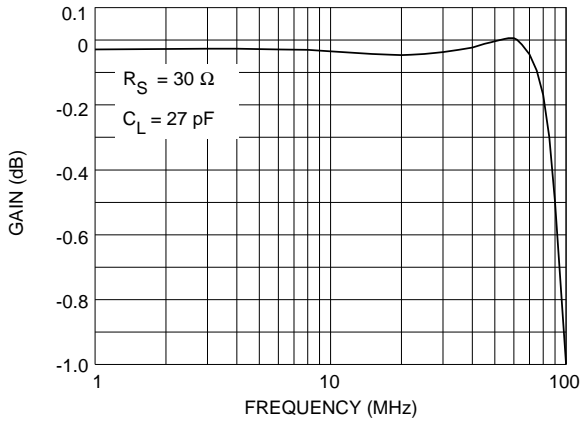


Fig. 1 Flattened Frequency Response

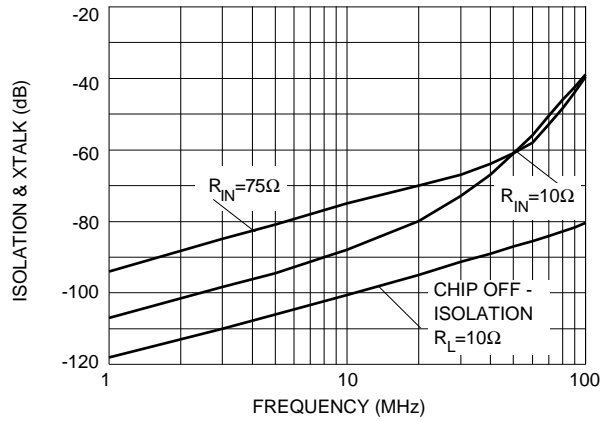


Fig. 2 All Hostile Crosstalk & Isolation

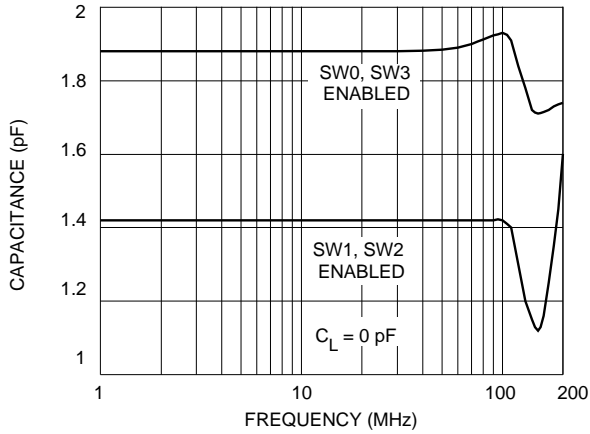


Fig. 3 Input Capacitance

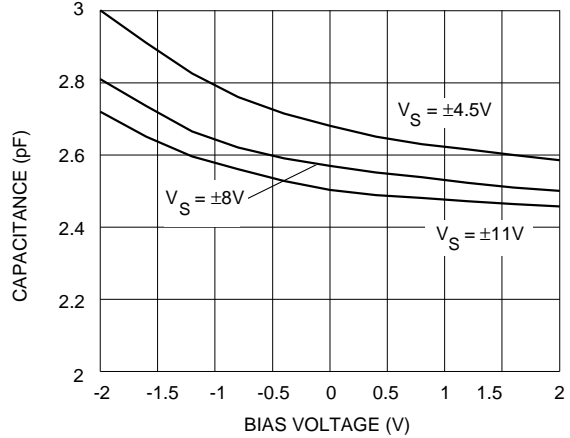


Fig. 4 Output Capacitance

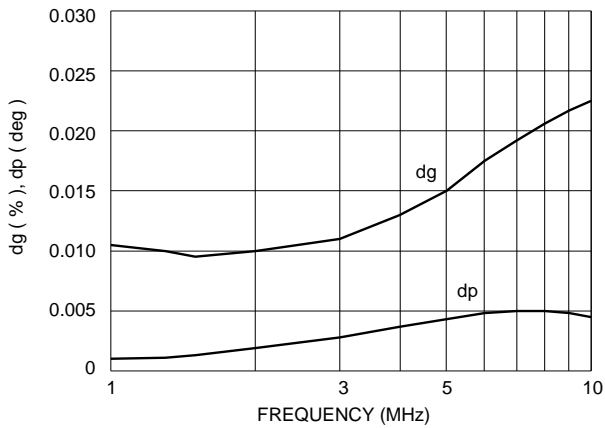


Fig. 5 Differential Gain & Phase

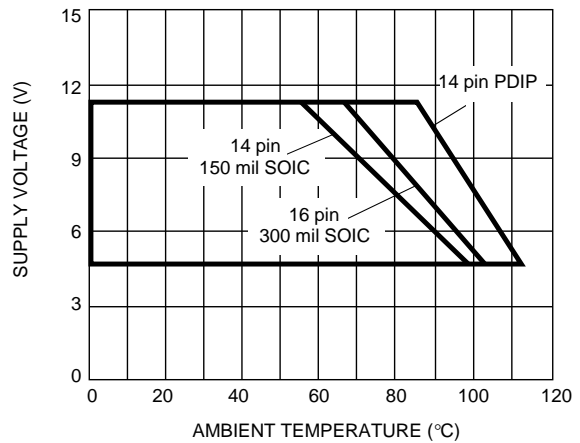


Fig. 6 Safe Operating Area for GX4314  
(All packages)

NOTE: Curves are based on 25 mA max. supply current and 130 $^{\circ}\text{C}$  max. junction temperature.

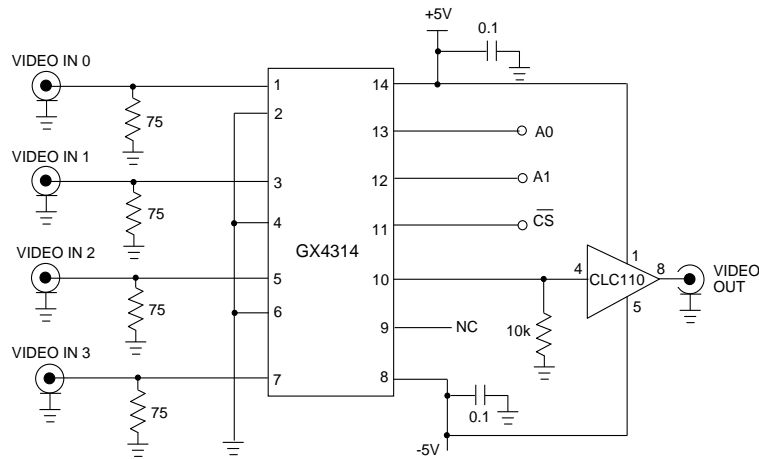


Fig. 7 Test Circuit

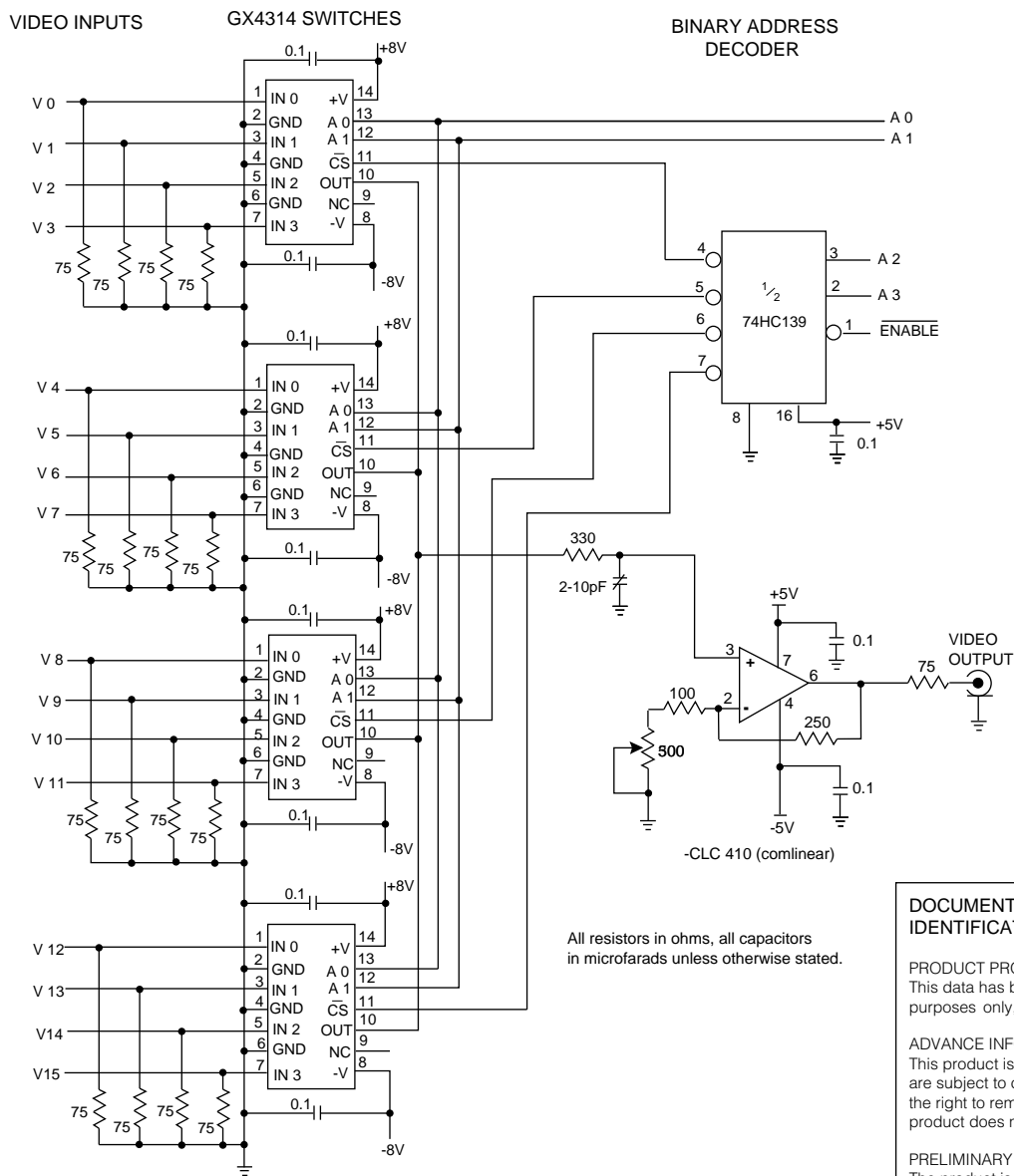


Fig. 8 16 x 1 Video Multiplexer Circuit

All resistors in ohms, all capacitors in microfarads unless otherwise stated.

**DOCUMENT IDENTIFICATION**

**PRODUCT PROPOSAL**  
This data has been compiled for market investigation purposes only, and does not constitute an offer for sale.

**ADVANCE INFORMATION NOTE**  
This product is in development phase and specifications are subject to change without notice. Gennum reserves the right to remove the product at any time. Listing the product does not constitute an offer for sale.

**PRELIMINARY DATA SHEET**  
The product is in a preproduction phase and specifications are subject to change without notice.

**DATA SHEET**  
The product is in production. Gennum reserves the right to make changes at any time to improve reliability, function or design, in order to provide the best product possible.



LittleDiode supplies new, hard to find or obsolete electronic components and semiconductors all over the world.

With over two million different components listed you are sure to find the part you need.

Feel free to visit us today at our online store:

**[LittleDiode.com](http://LittleDiode.com)**

Looking forward to providing you with the best possible service.