

3MHz, BiMOS Microprocessor Operational Amplifiers with MOSFET Input/CMOS Output

November 1996

Features

- MOSFET Input Stage provides
 - Very High $Z_i = 1.5T\Omega$ ($1.5 \times 10^{12}\Omega$) (Typ)
 - Very Low $I_i = 5pA$ (Typ) at 15V Operation
 $= 2pA$ (Typ) at 5V Operation
- Ideal for Single Supply Applications
- Common Mode Input Voltage Range Includes Negative Supply Rail; Input Terminals Can be Swung 0.5V Below Negative Supply Rail
- CMOS Output Stage Permits Signal Swing to Either (or Both) Supply Rails
- CA5260A, CA5260 Have Full Military Temperature Range Guaranteed Specifications for $V_+ = 5V$
- CA5260A, CA5260 are Guaranteed to Operate Down to 4.5V for A_{OL}
- Fully Guaranteed to Operate from $-55^\circ C$ to $125^\circ C$ at $V_+ = 5V, V_- = GND$

Applications

- Ground Referenced Single Supply Amplifiers
- Fast Sample-Hold Amplifiers
- Long Duration Timers/Monostables
- Ideal Interface with Digital CMOS
- High Input Impedance Wideband Amplifiers
- Voltage Followers (e.g., Follower for Single Supply D/A Converter)
- Voltage Regulators (Permits Control of Output Voltage Down to 0V)
- Wien Bridge Oscillators
- Voltage Controlled Oscillators
- Photo Diode Sensor Amplifiers
- 5V Logic Systems
- Microprocessor Interface

Description

The CA5260A and CA5260 are integrated-circuit operational amplifiers that combine the advantage of both CMOS and bipolar transistors on a monolithic chip. The CA5260 series circuits are dual versions of the popular CA5160 series. They are designed and guaranteed to operate in microprocessor or logic systems that use +5V supplies.

Gate-protected P-Channel MOSFET (PMOS) transistors are used in the input circuit to provide very-high-input impedance, very-low-input current, and exceptional speed performance. The use of PMOS field-effect transistors in the input stage results in common-mode input-voltage capability down to 0.5V below the negative-supply terminal, an important attribute in single-supply applications.

A complementary-symmetry MOS (CMOS) transistor-pair, capable of swinging the output voltage to within 10mV of either supply-voltage terminal (at very high values of load impedance), is employed as the output circuit.

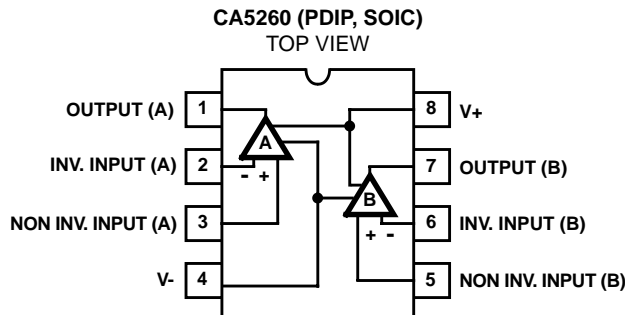
The CA5260 Series circuits operate at supply voltages ranging from 4.5V to 16V, or $\pm 2.25V$ to $\pm 8V$ when using split supplies.

The CA5260, CA5260A have guaranteed specifications for 5V operation over the full military temperature range of $-55^\circ C$ to $125^\circ C$.

Ordering Information

PART NUMBER (BRAND)	TEMP. RANGE ($^\circ C$)	PACKAGE	PKG. NO.
CA5260AE	-55 to 125	8 Ld PDIP	E8.3
CA5260AM (5260A)	-55 to 125	8 Ld SOIC	M8.15
CA5260AM96 (5260A)	-55 to 125	8 Ld SOIC Tape and Reel	M8.15
CA5260E	-55 to 125	8 Ld PDIP	E8.3
CA5260M (5260)	-55 to 125	8 Ld SOIC	M8.15
CA5260M96 (5260)	-55 to 125	8 Ld SOIC Tape and Reel	M8.15

Pinout



CA5260, CA5260A

Absolute Maximum Ratings

Supply Voltage (Between V+ and V- Terminals) 16V
 Differential Input Voltage 8V
 Input Voltage (V+ +8V) to (V- -0.5V)
 Input Current 1mA
 Output Short Circuit Duration (Note 1) Indefinite

Operating Conditions

Temperature Range -55°C to 125°C

Thermal Information

Thermal Resistance (Typical, Note 2) θ_{JA} (°C/W)
 PDIP Package 96
 SOIC Package 157
 Maximum Junction Temperature (Die) 175°C
 Maximum Junction Temperature (Plastic Package) 150°C
 Maximum Storage Temperature Range -65°C to 150°C
 Maximum Lead Temperature (Soldering 10s) 300°C
 (SOIC - Lead Tips Only)

CAUTION: Stresses above those listed in "Absolute Maximum Ratings" may cause permanent damage to the device. This is a stress only rating and operation of the device at these or any other conditions above those indicated in the operational sections of this specification is not implied.

NOTES:

- Short circuit may be applied to ground or to either supply.
- θ_{JA} is measured with the component mounted on an evaluation PC board in free air.

Electrical Specifications

Typical Values Intended Only for Design Guidance, V+ = 5V, V- = 0V, T_A = 25°C, Unless Otherwise Specified

PARAMETER	SYMBOL	TEST CONDITIONS	TYPICAL VALUES		UNITS
			CA5260	CA5260A	
Input Resistance	R _I		1.5	1.5	TΩ
Input Capacitance	C _I	f = 1MHz	4.3	4.3	pF
Unity Gain Crossover Frequency	f _T		3	3	MHz
Slew Rate	SR	V _{OUT} = 2.5V _{P-P}	5	5	V/μs
Transient Response	Rise Time	C _L = 25pF, R _L = 2kΩ (Voltage Follower)	0.09	0.09	μs
Settling Time (To <0.1%, V _{IN} = 4V _{P-P})	t _S	C _L = 25pF, R _L = 2kΩ (Voltage Follower)	1.8	1.8	μs

Electrical Specifications

T_A = 25°C, V+ = 5V, V- = 0V

PARAMETER	SYMBOL	TEST CONDITIONS	CA5260			CA5260A			UNITS
			MIN	TYP	MAX	MIN	TYP	MAX	
Input Offset Voltage	V _{IO}	V _O = 2.5V	-	2	15	-	1.5	4	mV
Input Offset Current	I _{IO}	V _O = 2.5V	-	1	10	-	1	10	pA
Input Current	I _I	V _O = 2.5V	-	2	15	-	2	15	pA
Common Mode Rejection Ratio	CMRR	V _{CM} = 0 to 1V	70	85	-	80	85	-	dB
		V _{CM} = 0 to 2.5V	50	55	-	50	55	-	dB
Common Mode Input Voltage Range	V _{ICR+}		2.5	3	-	2.5	3	-	V
	V _{ICR-}		-	-0.5	0	-	-0.5	0	V
Power Supply Rejection Ratio	PSRR	ΔV+ = 1V; ΔV- = 1V	70	84	-	75	84	-	dB
Large Signal Voltage Gain (Note 3)	A _{OL}	R _L = ∞, V _O = 0.5 to 4V	105	111	-	107	113	-	dB
		R _L = 10kΩ, V _O = 0.5 to 3.6V	80	86	-	83	86	-	dB
Source Current	I _{SOURCE}	V _O = 0V	1.75	2.2	-	1.75	2.2	-	mA
Sink Current	I _{SINK}	V _O = 5V	1.70	2	-	1.70	2	-	mA
Output Voltage	V _{OM+}	R _L = ∞	4.99	5	-	4.99	5	-	V
	V _{OM-}		-	0	0.01	-	0	0.01	V
	V _{OM+}	R _L = 10kΩ	4.4	4.7	-	4.4	4.7	-	V
	V _{OM-}		-	0	0.01	-	0	0.01	V
	V _{OM+}	R _L = 2kΩ	3	3.4	-	3	3.4	-	V
	V _{OM-}		-	0	0.01	-	0	0.01	V

CA5260, CA5260A

Electrical Specifications $T_A = 25^\circ\text{C}$, $V_+ = 5\text{V}$, $V_- = 0\text{V}$ (Continued)

PARAMETER	SYMBOL	TEST CONDITIONS	CA5260			CA5260A			UNITS
			MIN	TYP	MAX	MIN	TYP	MAX	
Supply Current	I_{SUPPLY}	$V_O = 0\text{V}$	-	1.60	2.0	-	1.60	2.0	mA
		$V_O = 2.5\text{V}$	-	1.80	2.25	-	1.80	2.25	mA

NOTE:

3. For $V_+ = 4.5\text{V}$ and $V_- = \text{GND}$; $V_{\text{OUT}} = 0.5\text{V}$ to 3.2V at $R_L = 10\text{k}\Omega$.

Electrical Specifications $T_A = -55^\circ\text{C}$ to 125°C , $V_+ = 5\text{V}$, $V_- = 0\text{V}$

PARAMETER	SYMBOL	TEST CONDITIONS	CA5260			CA5260A			UNITS
			MIN	TYP	MAX	MIN	TYP	MAX	
Input Offset Voltage	V_{IO}	$V_O = 2.5\text{V}$	-	3	20	-	2	15	mV
Input Offset Current	I_{IO}	$V_O = 2.5\text{V}$	-	1	10	-	1	10	nA
Input Current	I_{I}	$V_O = 2.5\text{V}$	-	2	15	-	2	15	nA
Common Mode Rejection Ratio	CMRR	$V_{\text{CM}} = 0$ to 1V	60	78	-	65	78	-	dB
		$V_{\text{CM}} = 0$ to 2.5V	50	60	-	50	60	-	dB
Common Mode Input Voltage Range	$V_{\text{ICR}+}$		2.5	3	-	2.5	3	-	V
	$V_{\text{ICR}-}$		-	-0.5	0	-	-0.5	0	V
Power Supply Rejection Ratio	PSRR	$\Delta V_+ = 1\text{V}$; $\Delta V_- = 1\text{V}$	60	65	-	62	65	-	dB
Large Signal Voltage Gain (Note 4)	A_{OL}	$R_L = \infty$, $V_O = 0.5$ to 4V	70	78	-	70	78	-	dB
		$R_L = 10\text{k}\Omega$, $V_O = 0.5$ to 3.6V	60	65	-	60	65	-	dB
Source Current	I_{SOURCE}	$V_O = 0\text{V}$	1.3	1.6	-	1.3	1.6	-	mA
Sink Current	I_{SINK}	$V_O = 5\text{V}$	1.2	1.4	-	1.2	1.4	-	mA
Output Voltage	$V_{\text{OM}+}$	$R_L = \infty$	4.99	5	-	4.99	5	-	V
	$V_{\text{OM}-}$		-	0	0.01	-	0	0.01	V
	$V_{\text{OM}+}$	$R_L = 10\text{k}\Omega$	4.2	4.4	-	4.2	4.4	-	V
	$V_{\text{OM}-}$		-	0	0.01	-	0	0.01	V
	$V_{\text{OM}+}$	$R_L = 2\text{k}\Omega$	2.5	2.7	-	2.5	2.7	-	V
	$V_{\text{OM}-}$		-	0	0.01	-	0	0.01	V
Supply Current	I_{SUPPLY}	$V_O = 0\text{V}$	-	1.65	2.2	-	1.65	2.2	mA
		$V_O = 2.5\text{V}$	-	1.95	2.35	-	1.95	2.35	mA

NOTE:

4. For $V_+ = 4.5\text{V}$ and $V_- = \text{GND}$; $V_{\text{OUT}} = 0.5\text{V}$ to 3.2V at $R_L = 10\text{k}\Omega$.

Electrical Specifications Each Amplifier at $T_A = 25^\circ\text{C}$, $V_+ = 15\text{V}$, $V_- = 0\text{V}$, Unless Otherwise Specified

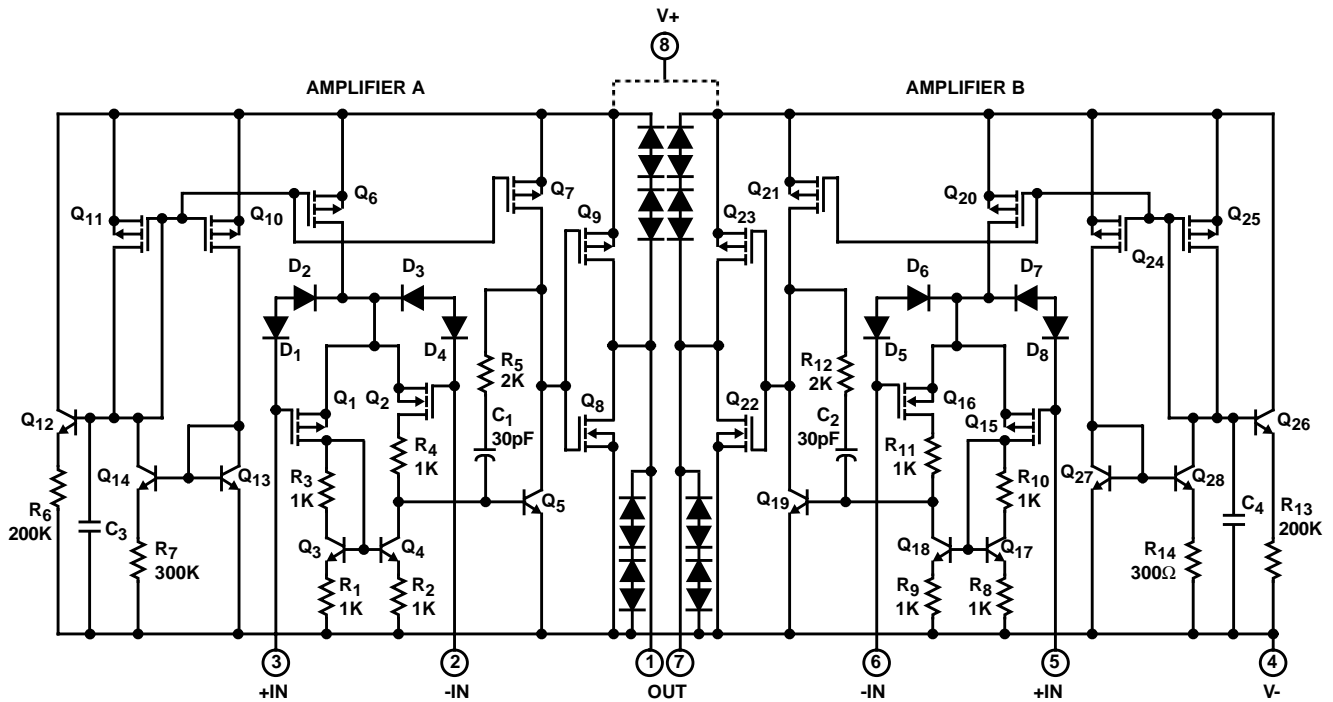
PARAMETER	SYMBOL	TEST CONDITIONS	CA5260			CA5260A			UNITS
			MIN	TYP	MAX	MIN	TYP	MAX	
Input Offset Voltage	V_{IO}	$V_S = \pm 7.5$	-	6	15	-	2	5	mV
Input Offset Current	I_{IO}	$V_S = \pm 7.5$	-	0.5	30	-	0.5	20	pA
Input Current	I_{I}	$V_S = \pm 7.5$	-	5	50	-	5	30	pA
Large Signal Voltage Gain	A_{OL}	$V_O = 10V_{\text{P-P}}$, $R_L = 10\text{k}\Omega$	50	320	-	50	320	-	kV/V
			94	110	-	94	110	-	dB
Common Mode Rejection Ratio	CMRR		70	90	-	80	95	-	dB

CA5260, CA5260A

Electrical Specifications Each Amplifier at $T_A = 25^\circ\text{C}$, $V_+ = 15\text{V}$, $V_- = 0\text{V}$, Unless Otherwise Specified (Continued)

PARAMETER	SYMBOL	TEST CONDITIONS	CA5260			CA5260A			UNITS
			MIN	TYP	MAX	MIN	TYP	MAX	
Common Mode Input Voltage Range	V_{ICR}		10	-0.5 to 12	0	10	-0.5 to 12	0	V
Power Supply Rejection Ratio, $\Delta V_{IO} / \Delta V_{\pm}$	PSRR	$V_S = \pm 7.5$	-	32	320	-	32	150	$\mu\text{V}/\text{V}$
Maximum Output Voltage	V_{OM+}	$R_L = 10\text{k}\Omega$	11	13.3	-	11	13.3	-	V
	V_{OM-}		-	0.002	0.01	-	0.002	0.01	V
	V_{OM+}	$R_L = \infty$	14.99	15	-	14.99	15	-	V
	V_{OM-}		-	0	0.01	-	0	0.01	V
Maximum Output Current	I_{OM+} (Source)	$V_O = 7.5\text{V}$	12	22	45	12	22	45	mA
	I_{OM-} (Sink)		12	20	45	12	20	45	mA
Total Supply Current, $R_L = \infty$	I+	V_O (Amp A) = 7.5V V_O (Amp B) = 7.5V	-	9	16.5	-	9	16.5	mA
		V_O (Amp A) = 0V V_O (Amp B) = 0V	-	1.2	4	-	1.2	4	mA
		V_O (Amp A) = 0V V_O (Amp B) = 7.5V	-	5	9.5	-	5	9.5	mA
Input Offset Voltage Temperature Drift	$\Delta V_{IO} / \Delta T$		-	8	-	-	6	-	$\mu\text{V}/^\circ\text{C}$
Crosstalk		$f = 1\text{kHz}$	-	120	-	-	120	-	dB

Schematic Diagram



All Intersil semiconductor products are manufactured, assembled and tested under **ISO9000** quality systems certification.

Intersil products are sold by description only. Intersil Corporation reserves the right to make changes in circuit design and/or specifications at any time without notice. Accordingly, the reader is cautioned to verify that data sheets are current before placing orders. Information furnished by Intersil is believed to be accurate and reliable. However, no responsibility is assumed by Intersil or its subsidiaries for its use; nor for any infringements of patents or other rights of third parties which may result from its use. No license is granted by implication or otherwise under any patent or patent rights of Intersil or its subsidiaries.

For information regarding Intersil Corporation and its products, see web site <http://www.intersil.com>

Sales Office Headquarters

NORTH AMERICA

Intersil Corporation
P. O. Box 883, Mail Stop 53-204
Melbourne, FL 32902
TEL: (321) 724-7000
FAX: (321) 724-7240

EUROPE

Intersil SA
Mercure Center
100, Rue de la Fusee
1130 Brussels, Belgium
TEL: (32) 2.724.2111
FAX: (32) 2.724.22.05

ASIA

Intersil (Taiwan) Ltd.
Taiwan Limited
7F-6, No. 101 Fu Hsing North Road
Taipei, Taiwan
Republic of China
TEL: (886) 2 2716 9310
FAX: (886) 2 2715 3029

This datasheet has been downloaded from:

www.DatasheetCatalog.com

Datasheets for electronic components.



LittleDiode supplies new, hard to find or obsolete electronic components and semiconductors all over the world.

With over two million different components listed you are sure to find the part you need.

Feel free to visit us today at our online store:

LittleDiode.com

Looking forward to providing you with the best possible service.