
HD74AC393

Dual Modulo-16-Counter

HITACHI

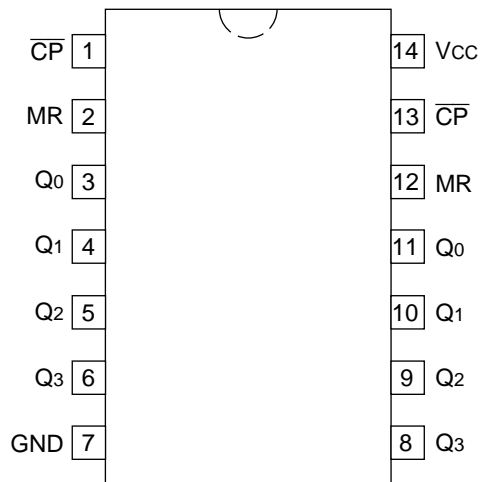
Description

The HD74AC393 contains a pair of high speed 4-stage ripple counters. Each half of the HD74AC393 operates as a modulo-16 binary divider, with the last three stages triggered in a ripple fashion. The flip-flops are triggered by a High-to-Low transition of their \overline{CP} inputs. Each half of each circuit type has a Master Reset input which responds to a High signal by forcing all four outputs to the Low state.

Feature

- Outputs Source/Sink 24 mA

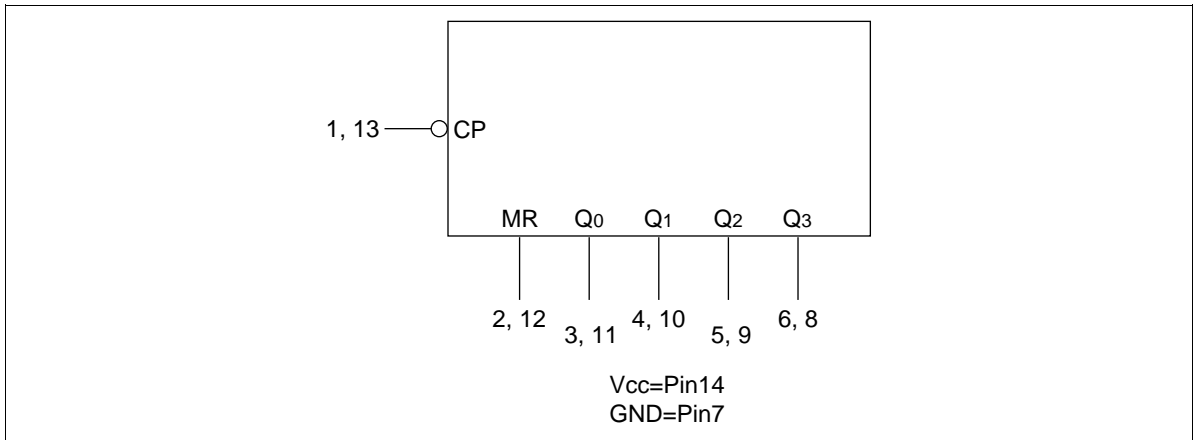
Pin Arrangement



(Top view)

HD74AC393

Logic Symbol (each half)



Pin Names

- \overline{CP} Clock Pulse Input (Active Falling Edge)
- MR Asynchronous Master Reset Input (Active High)
- Q₀ – Q₃ Flip-flop Outputs

Functional Description

Each half of the HD74AC393 operates in the modulo-16 binary sequence, as indicated in the + 16 Truth Table. The first flip-flop is triggered by High-to-Low transitions of the \overline{CP} input signal. Each of the other flip-flops is triggered by a High-to-Low transition of the Q output of the preceding flip-flop. Thus state changes of the Q outputs do not occur simultaneously. This means that logic signals derived from combinations of these outputs will be subject to decoding spikes and, therefore, should not be used as clocks for other counters, registers or flip-flops. A High signal on MR forces all outputs to the Low state and prevents counting.

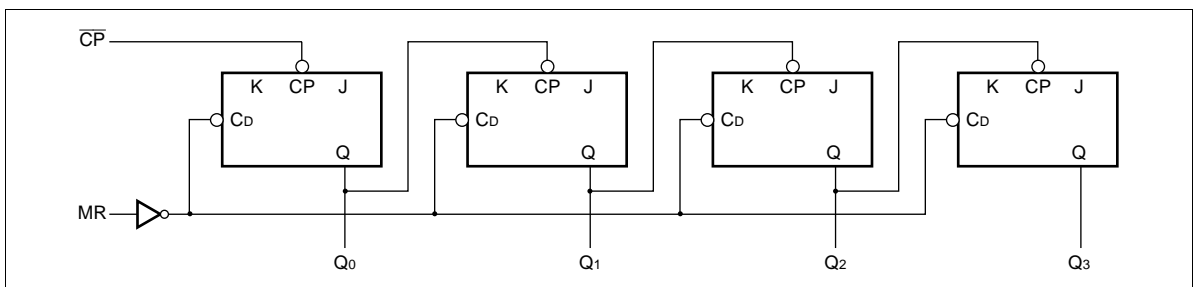
Truth Table

Count	Outputs			
	Q ₃	Q ₂	Q ₁	Q ₀
0	L	L	L	L
1	L	L	L	H
2	L	L	H	L
3	L	L	H	H
4	L	H	L	L
5	L	H	L	H
6	L	H	H	L
7	L	H	H	H
8	H	L	L	L
9	H	L	L	H
10	H	L	H	L
11	H	L	H	H
12	H	H	L	L
13	H	H	L	H
14	H	H	H	L
15	H	H	H	H

H : High Voltage Level

L : Low Voltage Level

Logic Diagram (one, half shown)



HD74AC393

DC Characteristics (unless otherwise specified)

Item	Symbol	Max	Unit	Condition
Maximum quiescent supply current	I_{CC}	80	μA	$V_{IN} = V_{CC}$ or ground, $V_{CC} = 5.5\text{ V}$, $T_a = \text{Worst case}$
Maximum quiescent supply current	I_{CC}	8.0	μA	$V_{IN} = V_{CC}$ or ground, $V_{CC} = 5.5\text{ V}$, $T_a = 25^\circ\text{C}$

AC Characteristics: HD74AC393

Item	Symbol	$V_{CC} (\text{V})^{*1}$	$T_a = +25^\circ\text{C}$ $C_L = 50\text{ pF}$			$T_a = -40^\circ\text{C to } +85^\circ\text{C}$ $C_L = 50\text{ pF}$		Unit
			Min	Typ	Max	Min	Max	
Maximum clock frequency	f_{max}	3.3	125	—	—	100	—	MHz
		5.0	150	—	—	125	—	
Propagation delay \overline{CP} to Q_0	t_{PLH}	3.3	1.0	8.5	12.0	1.0	13.0	ns
		5.0	1.0	6.5	9.0	1.0	10.0	
Propagation delay \overline{CP} to Q_0	t_{PHL}	3.3	1.0	8.0	11.5	1.0	12.5	ns
		5.0	1.0	6.0	8.5	1.0	9.5	
Propagation delay \overline{CP} to Q_1	t_{PLH}	3.3	1.0	12.0	15.0	1.0	16.0	ns
		5.0	1.0	9.5	12.0	1.0	13.0	
Propagation delay \overline{CP} to Q_1	t_{PHL}	3.3	1.0	11.5	14.5	1.0	15.5	ns
		5.0	1.0	9.0	11.5	1.0	12.5	
Propagation delay \overline{CP} to Q_2	t_{PLH}	3.3	1.0	15.0	18.0	1.0	19.5	ns
		5.0	1.0	12.0	14.5	1.0	16.0	
Propagation delay \overline{CP} to Q_2	t_{PHL}	3.3	1.0	14.5	17.5	1.0	19.0	ns
		5.0	1.0	11.5	14.0	1.0	15.5	
Propagation delay \overline{CP} to Q_3	t_{PLH}	3.3	1.0	18.0	20.5	1.0	22.0	ns
		5.0	1.0	14.5	17.0	1.0	18.5	
Propagation delay \overline{CP} to Q_3	t_{PHL}	3.3	1.0	17.5	20.0	1.0	21.5	ns
		5.0	1.0	14.0	16.5	1.0	17.5	
Propagation delay MR to Q_0, Q_1, Q_2 or Q_3	t_{PHL}	3.3	1.0	10.5	14.0	1.0	15.0	ns
MR to Q_0, Q_1, Q_2 or Q_3		5.0	1.0	8.5	11.0	1.0	12.0	

Note: 1. Voltage Range 3.3 is $3.3\text{ V} \pm 0.3\text{ V}$
Voltage Range 5.0 is $5.0\text{ V} \pm 0.5\text{ V}$

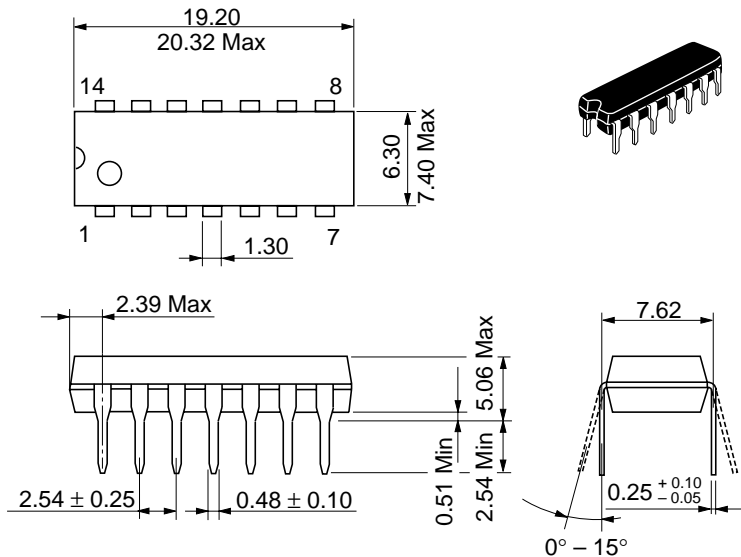
AC Operating Requirements: HD74AC393

Item	Symbol	V _{CC} (V)*1	Ta = +25°C	Ta = -40°C		Unit
			C _L = 50 pF	to +85°C	C _L = 50 pF	
			Typ	Guaranteed Minimum		
Pulse width \overline{CP}	t _w	3.3	3.5	5.5	7.0	ns
		5.0	2.5	4.5	5.0	
Recovery time MR to \overline{CP}	t _{rec}	3.3	-2.5	0.0	0.0	ns
		5.0	-2.5	0.0	0.0	

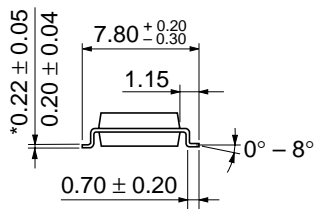
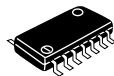
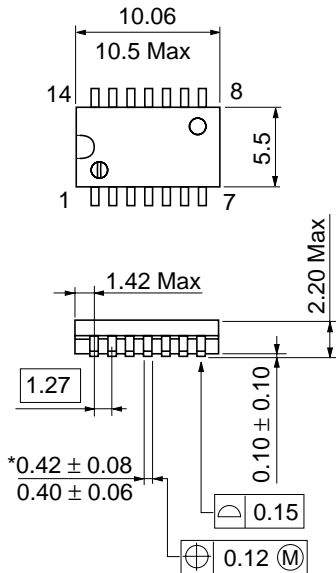
Note: 1. Voltage Range 3.3 is 3.3 V ± 0.3 V
 Voltage Range 5.0 is 5.0 V ± 0.5 V

Capacitance

Item	Symbol	Typ	Unit	Condition
Input capacitance	C _{IN}	4.5	pF	V _{CC} = 5.5 V
Power dissipation capacitance	C _{PD}	50	pF	V _{CC} = 5.0 V

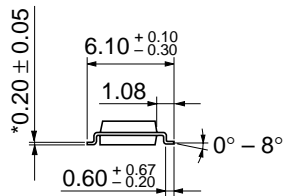
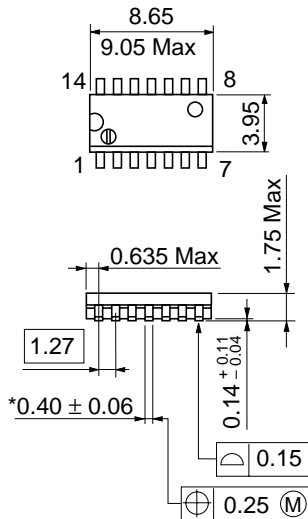


Hitachi Code	DP-14
JEDEC	Conforms
EIAJ	Conforms
Weight (reference value)	0.97 g

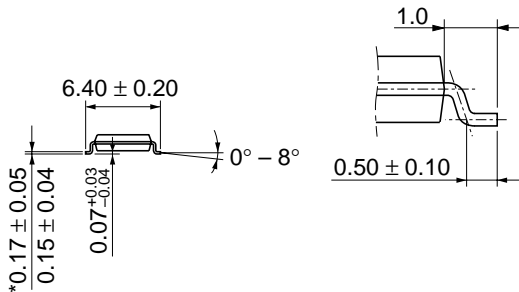
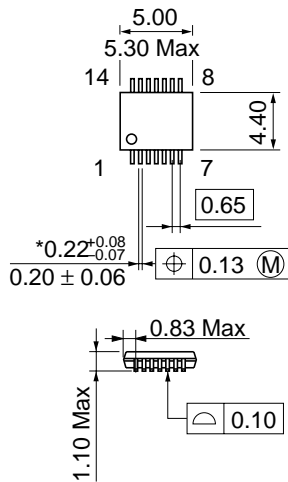


Hitachi Code	FP-14DA
JEDEC	—
EIAJ	Conforms
Weight (reference value)	0.23 g

*Dimension including the plating thickness
Base material dimension



Hitachi Code	FP-14DN
JEDEC	Conforms
EIAJ	Conforms
Weight (reference value)	0.13 g



*Dimension including the plating thickness
 Base material dimension

Hitachi Code	TTP-14D
JEDEC	—
EIAJ	—
Weight (reference value)	0.05 g

Cautions

1. Hitachi neither warrants nor grants licenses of any rights of Hitachi's or any third party's patent, copyright, trademark, or other intellectual property rights for information contained in this document. Hitachi bears no responsibility for problems that may arise with third party's rights, including intellectual property rights, in connection with use of the information contained in this document.
2. Products and product specifications may be subject to change without notice. Confirm that you have received the latest product standards or specifications before final design, purchase or use.
3. Hitachi makes every attempt to ensure that its products are of high quality and reliability. However, contact Hitachi's sales office before using the product in an application that demands especially high quality and reliability or where its failure or malfunction may directly threaten human life or cause risk of bodily injury, such as aerospace, aeronautics, nuclear power, combustion control, transportation, traffic, safety equipment or medical equipment for life support.
4. Design your application so that the product is used within the ranges guaranteed by Hitachi particularly for maximum rating, operating supply voltage range, heat radiation characteristics, installation conditions and other characteristics. Hitachi bears no responsibility for failure or damage when used beyond the guaranteed ranges. Even within the guaranteed ranges, consider normally foreseeable failure rates or failure modes in semiconductor devices and employ systemic measures such as fail-safes, so that the equipment incorporating Hitachi product does not cause bodily injury, fire or other consequential damage due to operation of the Hitachi product.
5. This product is not designed to be radiation resistant.
6. No one is permitted to reproduce or duplicate, in any form, the whole or part of this document without written approval from Hitachi.
7. Contact Hitachi's sales office for any questions regarding this document or Hitachi semiconductor products.

HITACHI

Hitachi, Ltd.

Semiconductor & Integrated Circuits.
Nippon Bldg., 2-6-2, Ohte-machi, Chiyoda-ku, Tokyo 100-0004, Japan
Tel: Tokyo (03) 3270-2111 Fax: (03) 3270-5109

URL North America : <http://semiconductor.hitachi.com/>
 Europe : <http://www.hitachi-eu.com/hel/ecg>
 Asia (Singapore) : <http://www.has.hitachi.com.sg/grp3/sicd/index.htm>
 Asia (Taiwan) : http://www.hitachi.com.tw/E/Product/SICD_Frame.htm
 Asia (HongKong) : <http://www.hitachi.com.hk/eng/bo/grp3/index.htm>
 Japan : <http://www.hitachi.co.jp/Sicd/indx.htm>

For further information write to:

Hitachi Semiconductor
(America) Inc.
179 East Tasman Drive,
San Jose, CA 95134
Tel: <1> (408) 433-1990
Fax: <1>(408) 433-0223

Hitachi Europe GmbH
Electronic components Group
Dornacher Straße 3
D-85622 Feldkirchen, Munich
Germany
Tel: <49> (89) 9 9180-0
Fax: <49> (89) 9 29 30 00

Hitachi Europe Ltd.
Electronic Components Group.
Whitebrook Park
Lower Cookham Road
Maidenhead
Berkshire SL6 8YA, United Kingdom
Tel: <44> (1628) 585000
Fax: <44> (1628) 778322

Hitachi Asia Pte. Ltd.
16 Collyer Quay #20-00
Hitachi Tower
Singapore 049318
Tel: 535-2100
Fax: 535-1533

Hitachi Asia Ltd.
Taipei Branch Office
3F, Hung Kuo Building, No.167,
Tun-Hwa North Road, Taipei (105)
Tel: <886> (2) 2718-3666
Fax: <886> (2) 2718-8180

Hitachi Asia (Hong Kong) Ltd.
Group III (Electronic Components)
7/F., North Tower, World Finance Centre,
Harbour City, Canton Road, Tsim Sha Tsui,
Kowloon, Hong Kong
Tel: <852> (2) 735 9218
Fax: <852> (2) 730 0281
Telex: 40815 HITEC HX

Copyright ' Hitachi, Ltd., 1999. All rights reserved. Printed in Japan.

HITACHI



LittleDiode supplies new, hard to find or obsolete electronic components and semiconductors all over the world.

With over two million different components listed you are sure to find the part you need.

Feel free to visit us today at our online store:

LittleDiode.com

Looking forward to providing you with the best possible service.