

DM54LS461/DM74LS461 Octal Counter

General Description

The LS461 is an 8-bit synchronous counter with parallel load, clear, and hold capability. Two function select inputs (I_0 , I_1) provide one of four operations which occur synchronously on the rising edge of the clock (CK).

The LOAD operation loads the inputs (D_7 - D_0) into the output register (Q_7 - Q_0). The CLEAR operation resets the output register to all LOWs. The HOLD operation holds the previous value regardless of clock transitions. The INCREMENT operation adds one to the output register when the carry-in input is TRUE ($\overline{C}_i = \text{LOW}$), otherwise the operation is a HOLD. The carry-out (\overline{C}_o) is TRUE ($\overline{C}_o = \text{LOW}$) when the output register (Q_7 - Q_0) is all HIGHs, otherwise FALSE ($\overline{C}_o = \text{HIGH}$).

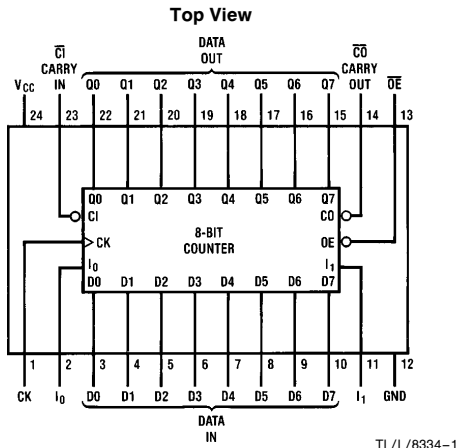
The output register (Q_7 - Q_0) is enabled when \overline{O}_E is LOW, and disabled (HI-Z) when \overline{O}_E is HIGH. The output drivers will sink the 24 mA required for many bus interface standards.

Two or more LS461 octal counters may be cascaded to provide larger counters. The operation codes were chosen such that when I_1 is HIGH, I_0 may be used to select between LOAD and INCREMENT as in a program counter (JUMP/INCREMENT).

Features/Benefits

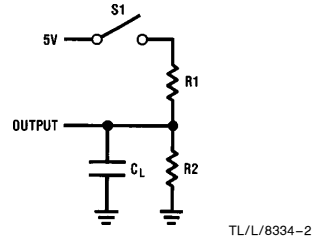
- Octal counter for microprogram-counter, DMA controller and general purpose counting applications
- 8 bits match byte boundaries
- Bus-structured pinout
- 24-pin Skinny Dip saves space
- TRI-STATE® outputs drive bus lines
- Low current PNP inputs reduce loading
- Expandable in 8-bit increments

Connection Diagram



Order Number DM54LS461J,
DM74LS461J or DM74LS461N
See NS Package Number J24F or N24C

Standard Test Load



Function Table

\overline{O}_E	CK	I_1	I_0	\overline{C}_i	D7-D0	Q7-Q0	Operation
H	X	X	X	X	X	Z	HI-Z
L	↑	L	L	X	X	L	CLEAR
L	↑	L	H	X	X	Q	HOLD
L	↑	H	L	X	D	D	LOAD
L	↑	H	H	H	X	Q	HOLD
L	↑	H	H	L	X	Q plus 1	INCREMENT

TRI-STATE® is a registered trademark of National Semiconductor Corp.

Absolute Maximum Ratings

If Military/Aerospace specified devices are required, please contact the National Semiconductor Sales Office/Distributors for availability and specifications.

Supply Voltage V_{CC} 7V
Input Voltage 5.5V

Off-State Output Voltage 5.5V
Storage Temperature -65°C to $+150^{\circ}\text{C}$

Operating Conditions

Symbol	Parameter	Military			Commercial			Units
		Min	Typ	Max	Min	Typ	Max	
V_{CC}	Supply Voltage	4.5	5	5.5	4.75	5	5.25	V
T_A	Operating Free-Air Temperature	-55		125*	0		75	$^{\circ}\text{C}$
t_w	Width of Clock	Low	40		35			ns
		High	30		25			
t_{SU}	Set Up Time	60			50			ns
t_h	Hold Time	0	-15		0	-15		

*Case Temperature

Electrical Characteristics Over Operating Conditions

Symbol	Parameter	Test Conditions	Min	Typ†	Max	Units	
V_{IL}	Low-Level Input Voltage				0.8	V	
V_{IH}	High-Level Input Voltage		2			V	
V_{IC}	Input Clamp Voltage	$V_{CC} = \text{MIN}$ $I_I = -18 \text{ mA}$			-1.5	V	
I_{IL}	Low-Level Input Current	$V_{CC} = \text{MAX}$ $V_I = 0.4 \text{ V}$			-0.25	mA	
I_{IH}	High-Level Input Current	$V_{CC} = \text{MAX}$ $V_I = 2.4 \text{ V}$			25	μA	
I_I	Maximum Input Current	$V_{CC} = \text{MAX}$ $V_I = 5.5 \text{ V}$			1	mA	
V_{OL}	Low-Level Output Voltage	$V_{CC} = \text{MIN}$ $V_{IL} = 0.8 \text{ V}$ $V_{IH} = 2 \text{ V}$	MIL	$I_{OL} = 12 \text{ mA}$		0.5	V
			COM	$I_{OL} = 24 \text{ mA}$			
V_{OH}	High-Level Output Voltage	$V_{CC} = \text{MIN}$ $V_{IL} = 0.8 \text{ V}$ $V_{IH} = 2 \text{ V}$	MIL	$I_{OH} = -2 \text{ mA}$		2.4	V
			COM	$I_{OH} = -3.2 \text{ mA}$			
I_{OZL}	Off-State Output Current	$V_{CC} = \text{MAX}$ $V_{IL} = 0.8 \text{ V}$ $V_{IH} = 2 \text{ V}$	$V_O = 0.4 \text{ V}$		-100	μA	
I_{OZH}			$V_O = 2.4 \text{ V}$		100	μA	
I_{OS}	Output Short-Circuit Current*	$V_{CC} = 5.0 \text{ V}$	$V_{CC} = 0 \text{ V}$		-30	-130	mA
I_{CC}	Supply Current	$V_{CC} = \text{MAX}$		120	180	mA	

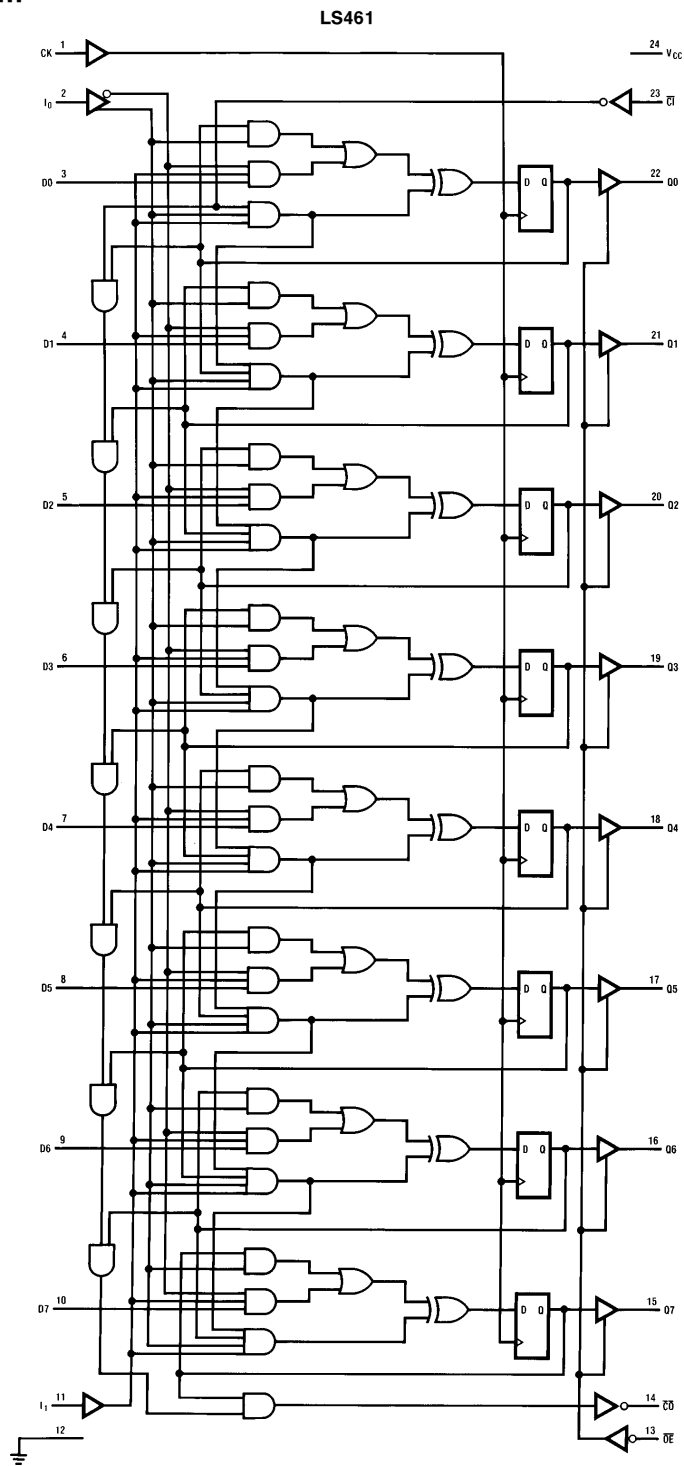
*No more than one output should be shorted at a time and duration of the short-circuit should not exceed one second

† All typical values are at $V_{CC} = 5 \text{ V}$, $T_A = 25^{\circ}\text{C}$.

Switching Characteristics Over Operating Conditions

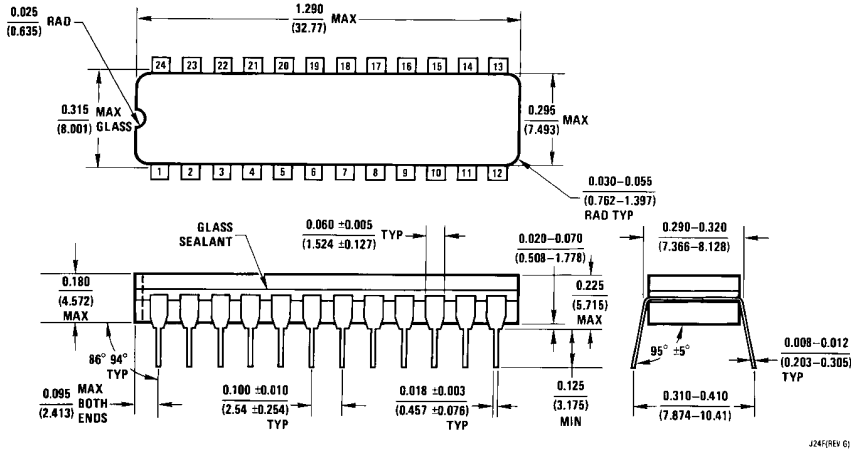
Symbol	Parameter	Test Conditions (See Test Load)	Military			Commercial			Units
			Min	Typ	Max	Min	Typ	Max	
f_{MAX}	Maximum Clock Frequency	$C_L = 50 \text{ pF}$ $R_1 = 200 \Omega$ $R_2 = 390 \Omega$	10.5			12.5			MHz
t_{PD}	$\overline{\text{CBI}}$ to $\overline{\text{CBO}}$ Delay			35	60		35	50	ns
t_{PD}	Clock to Q			20	35		20	30	ns
t_{PD}	Clock to $\overline{\text{CO}}$			55	95		55	80	ns
t_{PZX}	Output Enable Delay			35	55		35	45	ns
t_{PXZ}	Output Disable Delay			35	55		35	45	ns

Logic Diagram

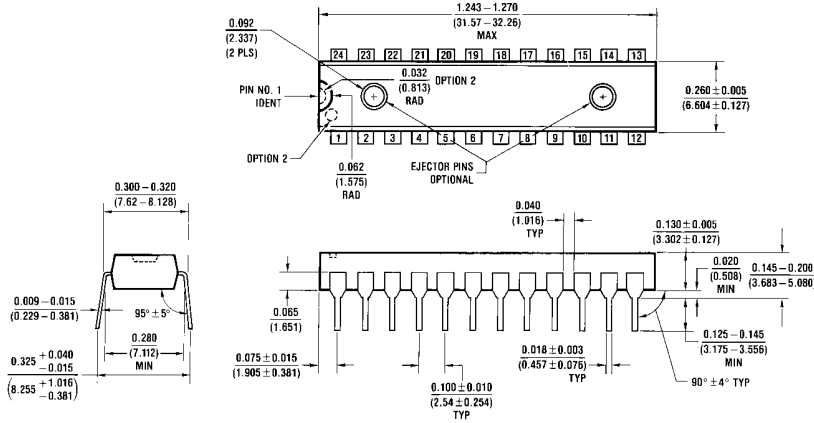


TL/L/8334-3

Physical Dimensions inches (millimeters)



24-Pin Narrow Ceramic Dual-In-Line Package (J)
Order Number DM54LS461J or DM74LS461J
NS Package J24F



24-Pin Narrow Plastic Dual-In-Line Package (N)
Order Number DM74LS461N
NS Package N24C

LIFE SUPPORT POLICY

NATIONAL'S PRODUCTS ARE NOT AUTHORIZED FOR USE AS CRITICAL COMPONENTS IN LIFE SUPPORT DEVICES OR SYSTEMS WITHOUT THE EXPRESS WRITTEN APPROVAL OF THE PRESIDENT OF NATIONAL SEMICONDUCTOR CORPORATION. As used herein:

1. Life support devices or systems are devices or systems which, (a) are intended for surgical implant into the body, or (b) support or sustain life, and whose failure to perform, when properly used in accordance with instructions for use provided in the labeling, can be reasonably expected to result in a significant injury to the user.
2. A critical component is any component of a life support device or system whose failure to perform can be reasonably expected to cause the failure of the life support device or system, or to affect its safety or effectiveness.



National Semiconductor Corporation
 1111 West Bardin Road
 Arlington, TX 76017
 Tel: (800) 272-9959
 Fax: (800) 737-7018

National Semiconductor Europe
 Fax: (+49) 0-180-530 85 86
 Email: cnjwge@tevm2.nsc.com
 Deutsch Tel: (+49) 0-180-530 85 85
 English Tel: (+49) 0-180-532 78 32
 Français Tel: (+49) 0-180-532 93 58
 Italiano Tel: (+49) 0-180-534 16 80

National Semiconductor Hong Kong Ltd.
 19th Floor, Straight Block,
 Ocean Centre, 5 Canton Rd.
 Tsimshatsui, Kowloon
 Hong Kong
 Tel: (852) 2737-1600
 Fax: (852) 2736-9960

National Semiconductor Japan Ltd.
 Tel: 81-043-299-2309
 Fax: 81-043-299-2408

This datasheet has been downloaded from:

www.DatasheetCatalog.com

Datasheets for electronic components.

National Semiconductor was acquired by Texas Instruments.

http://www.ti.com/corp/docs/investor_relations/pr_09_23_2011_national_semiconductor.html

This file is the datasheet for the following electronic components:

DM54LS461J - <http://www.ti.com/product/dm54ls461j?HQS=TI-null-null-dscatalog-df-pf-null-ww>



LittleDiode supplies new, hard to find or obsolete electronic components and semiconductors all over the world.

With over two million different components listed you are sure to find the part you need.

Feel free to visit us today at our online store:

LittleDiode.com

Looking forward to providing you with the best possible service.