

DATA SHEET

For a complete data sheet, please also download:

- The IC04 LOCMOS HE4000B Logic Family Specifications HEF, HEC
- The IC04 LOCMOS HE4000B Logic Package Outlines/Information HEF, HEC

HEF4541B **MSI** Programmable timer

Product specification
File under Integrated Circuits, IC04

January 1995

Programmable timer

HEF4541B MSI

DESCRIPTION

The HEF4541B is a programmable timer which consists of a 16-stage binary counter, an integrated oscillator to be used with external timing components, an automatic power-on reset and output control logic. The frequency of the oscillator is determined by the external components R_T and C_T within the frequency range 1 Hz to 100 kHz. This oscillator may be replaced by an external clock signal at input RS, the timer advances on the positive-going transition of RS. A LOW on the auto reset input (\overline{AR}) and a LOW on the master reset input (MR) enables the internal power-on reset. A HIGH level at input MR resets the counter independent on all other inputs. Resetting

disables the oscillator to provide no active power dissipation.

A HIGH at input \overline{AR} turns off the power-on reset to provide a low quiescent power dissipation of the timer. The 16-stage counter divides the oscillator frequency by 2^8 , 2^{10} , 2^{13} or 2^{16} depending on the state of the address inputs (A_0 , A_1). The divided oscillator frequency is available at output O. The phase input (PH) features a complementary output signal. If the mode select input (MODE) is LOW or HIGH the timer can be used respectively as a single transition timer or 2^n frequency divider.

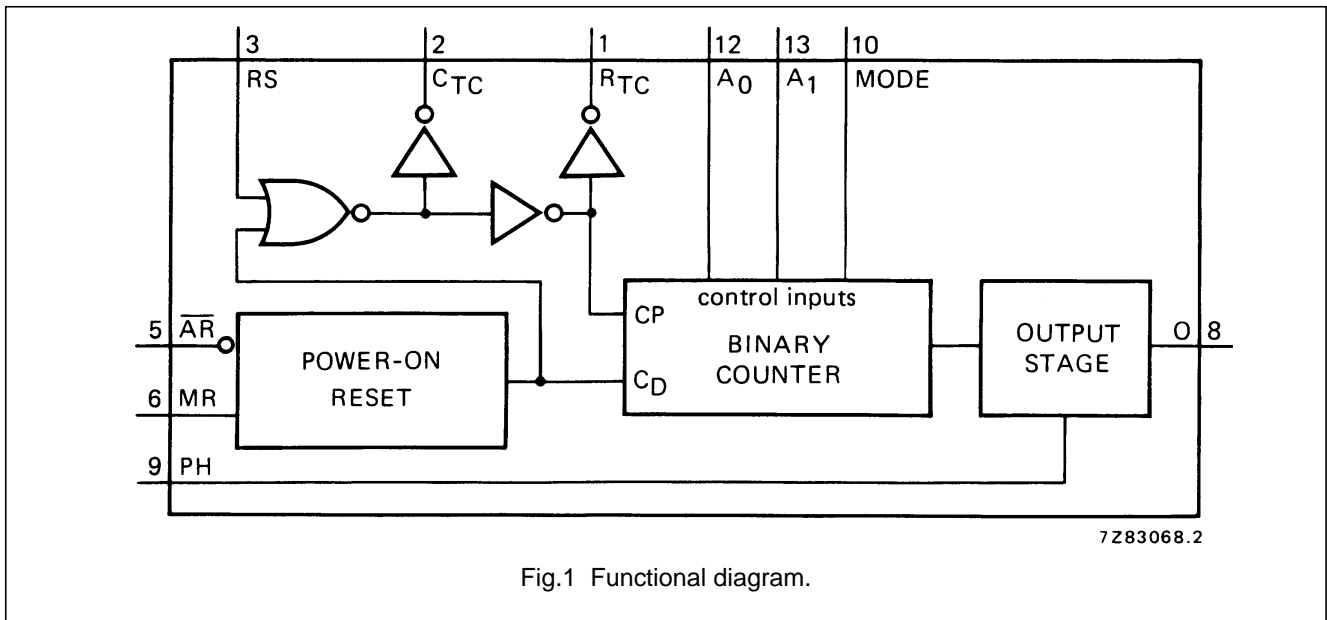


Fig.1 Functional diagram.

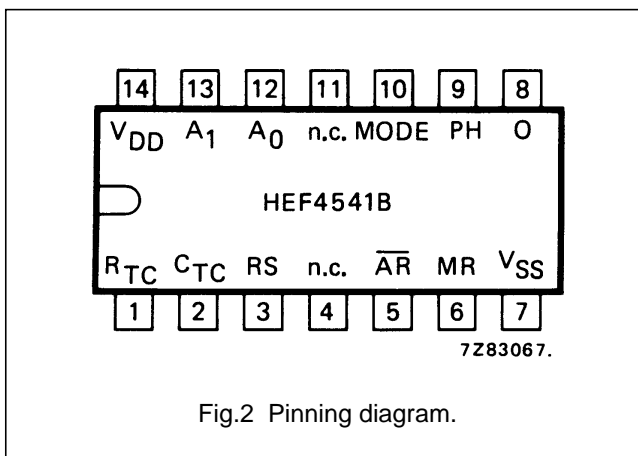


Fig.2 Pinning diagram.

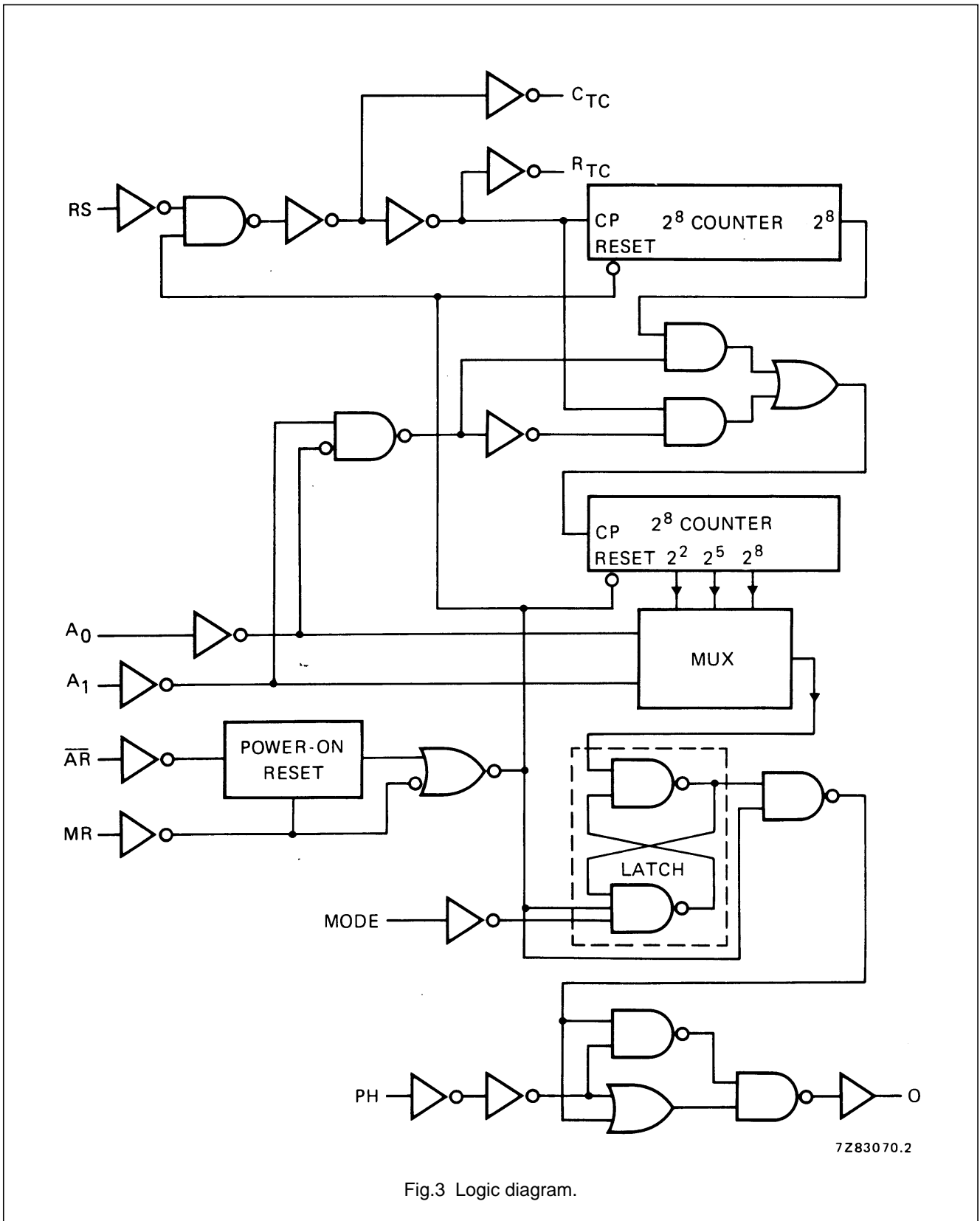
- HEF4541BP(N): 14-lead DIL; plastic (SOT27-1)
 - HEF4541BD(F): 14-lead DIL; ceramic (cerdip) (SOT73)
 - HEF4541BT(D): 14-lead SO; plastic (SOT108-1)
- (): Package Designator North America

FAMILY DATA, I_{DD} LIMITS category MSI

See Family Specifications

Programmable timer

HEF4541B
MSI



7Z83070.2

Fig.3 Logic diagram.

Programmable timer

HEF4541B
MSI

PINNING

- A₀, A₁ address inputs
- MODE mode select input
- \overline{AR} auto reset input
- MR master reset input
- PH phase input
- R_{TC} external resistor connection (R_t)
- C_{TC} external capacitor connection (C_t)
- RS external resistor connection (R_S) or external clock input

FREQUENCY SELECTION TABLE

A ₀	A ₁	NUMBER OF COUNTER STAGES n	$\frac{f_{osc}}{f_{out}} = 2^n$
L	L	13	8 192
L	H	10	1 024
H	L	8	256
H	H	16	65 536

FUNCTION TABLE

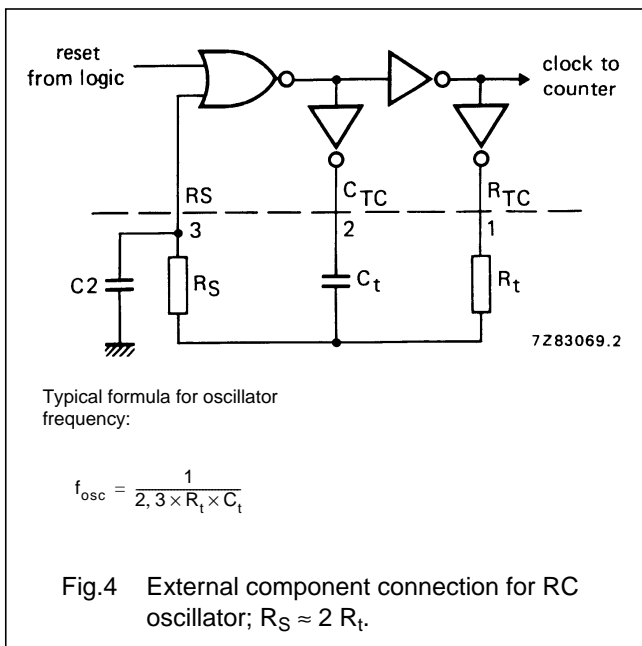
INPUTS				MODE
\overline{AR}	MR	PH	MODE	
H	L	X	X	auto reset disabled
L	L	X	X	auto reset enabled ⁽¹⁾
X	H	X	X	master reset active
X	L	X	H	normal operation selected
X	L	X	L	division to output
X	L	L	X	single-cycle mode ⁽²⁾
X	L	L	X	output initially LOW, after reset
X	L	H	X	output initially HIGH, after reset

Notes

1. For correct power-on reset, the supply voltage should be above 8.5 V. For V_{DD} < 8.5 V, disable the autoreset and connect \overline{AR} to V_{DD}.
2. The timer is initialized on a reset pulse and the output changes state after 2ⁿ⁻¹ counts and remains in that state (latched). Reset of this latch is obtained by master reset or by a LOW to HIGH transition on the MODE input.

H = HIGH state (the more positive voltage)
 L = LOW state (the less positive voltage)
 X = state is immaterial

RC oscillator



Timing component limitations

The oscillator frequency is mainly determined by R_tC_t, provided R_t << R_S and R_SC₂ << R_tC_t. The function of R_S is to minimize the influence of the forward voltage across the input protection diodes on the frequency. The stray capacitance C₂ should be kept as small as possible. In consideration of accuracy, C_t must be larger than the inherent stray capacitance. R_t must be larger than the LOC MOS 'ON' resistance in series with it, which typically is 500 Ω at V_{DD} = 5 V, 300 Ω at V_{DD} = 10 V and 200 Ω at V_{DD} = 15 V.

The recommended values for these components to maintain agreement with the typical oscillation formula are:
 C_t ≥ 100 pF, up to any typical value,
 10 kΩ ≤ R_t ≤ 1 MΩ.

Programmable timer

HEF4541B
MSI

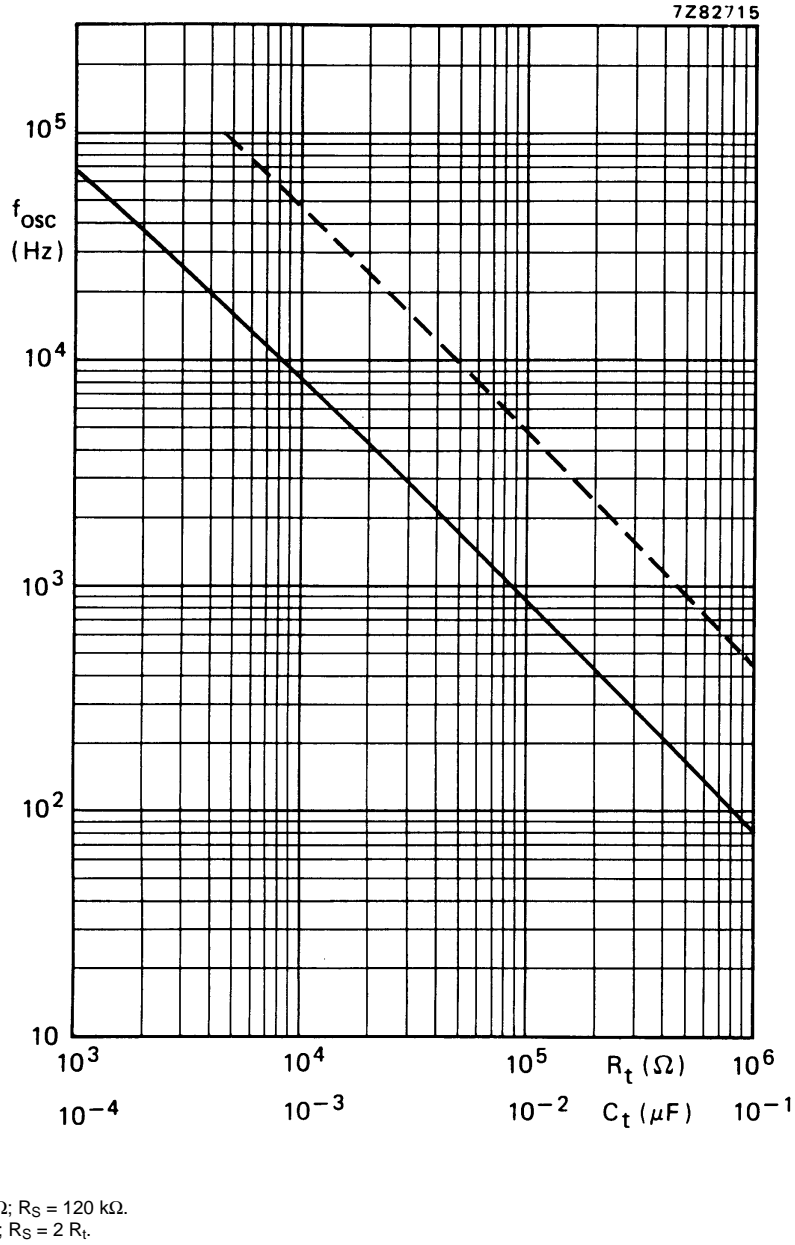
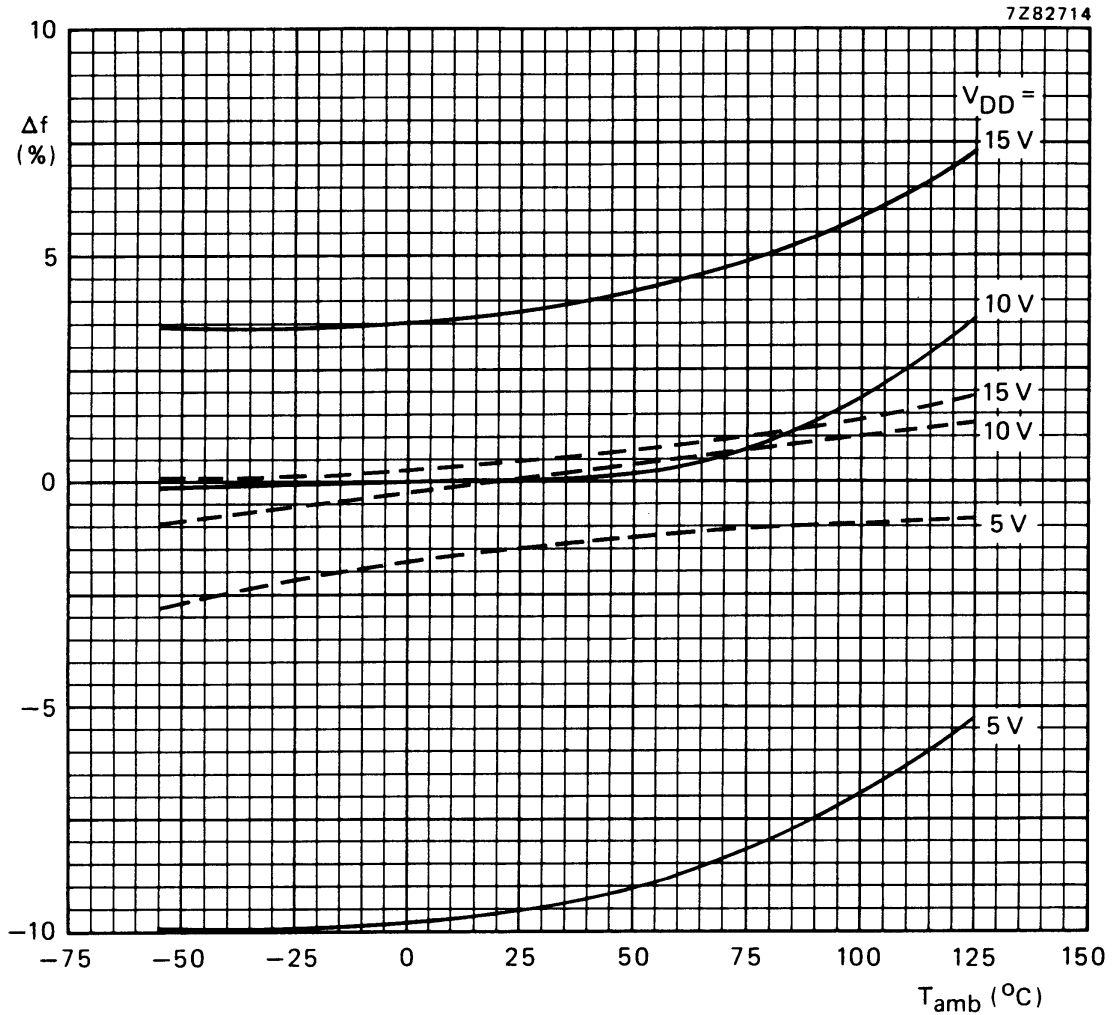


Fig.5 RC oscillator frequency as a function of R_t and C_t at $V_{DD} = 5$ to 15 V ; $T_{amb} = 25\text{ }^\circ\text{C}$.

Programmable timer

HEF4541B
MSI



— $R_t = 56\text{ k}\Omega$; $C_t = 1\text{ nF}$; $R_S = 0$.
 --- $R_t = 56\text{ k}\Omega$; $C_t = 1\text{ nF}$; $R_S = 120\text{ k}\Omega$.

Fig.6 Frequency deviation (Δf) as a function of ambient temperature; referenced at : f_{osc} at $T_{amb} = 25\text{ }^\circ\text{C}$ and $V_{DD} = 10\text{ V}$.

Programmable timer

HEF4541B
MSI

DC CHARACTERISTICS

 $V_{SS} = 0\text{ V}$

	V_{DD} V	V_{OL} V	V_{OH} V	SYMBOL	T_{amb} (°C)							
					-40		+25		+85			
					MIN.	MAX.	MIN.	TYP.	MAX.	MIN.	MAX.	
Supply current	5				-	80	-	20	80	-	230	μA
power-on reset enabled (note)	10			I_D	-	750	-	250	600	-	700	μA
	15				-	1600	-	500	1300	-	1500	μA
Supply voltage for automatic reset initialization (note)				V_{DD}	-	-	8,5	5	-	-	-	V
Output current HIGH; C_{TC} , R_{TC}	5		4,6		0,5	-	0,4	-	-	0,3	-	mA
	10		9,5	$-I_{OH}$	1,4	-	1,2	-	-	0,95	-	mA
	15		13,5		4,8	-	4,0	-	-	3,2	-	mA
	5		2,5	$-I_{OH}$	1,4	-	1,2	-	-	0,95	-	mA
Output current LOW; C_{TC} , R_{TC}	5	0,4			0,33	-	0,27	-	-	0,20	-	mA
	10	0,5		I_{OL}	1,00	-	0,85	-	-	0,68	-	mA
	15	1,5			3,20	-	2,70	-	-	2,30	-	mA

Note

- All inputs at 0 V or V_{DD} ; except input \overline{AR} = input MR = 0 V (power-on reset active).

AC CHARACTERISTICS

 $V_{SS} = 0\text{ V}$; $T_{amb} = 25\text{ }^\circ\text{C}$; input transition times $\leq 20\text{ ns}$

	V_{DD} V	TYPICAL FORMULA FOR P (μW) ⁽¹⁾
Dynamic power dissipation per package (P)	5	1 300 $f_i + f_o C_L V_{DD}^2$
	10	5 300 $f_i + f_o C_L V_{DD}^2$
	15	12 000 $f_i + f_o C_L V_{DD}^2$
Total power dissipation when using the on-chip oscillator (P)	5	1 300 $f_{osc} + f_o C_L V_{DD}^2 + 2C_t V_{DD}^2 f_{osc} + 10 V_{DD}$
	10	5 300 $f_{osc} + f_o C_L V_{DD}^2 + 2C_t V_{DD}^2 f_{osc} + 100 V_{DD}$
	15	12 000 $f_{osc} + f_o C_L V_{DD}^2 + 2C_t V_{DD}^2 f_{osc} + 400 V_{DD}$

Notes

- where:

 f_i = input frequency (MHz) f_o = output frequency (MHz) C_L = load capacitance (pF) V_{DD} = supply voltage (V) C_t = timing capacitance (pF) f_{osc} = oscillator frequency (MHz)

Programmable timer

HEF4541B
MSI**AC CHARACTERISTICS** $V_{SS} = 0\text{ V}$; $T_{amb} = 25\text{ }^{\circ}\text{C}$; $C_L = 50\text{ pF}$; input transition times $\leq 20\text{ ns}$

	V_{DD} V	SYMBOL	MIN.	TYP.	MAX.	TYPICAL EXTRAPOLATION FORMULA	
Propagation delays RS \rightarrow O	2^8 selected	t_{PHL} ; t_{PLH}		375	750	ns	$348\text{ ns} + (0,55\text{ ns/pF}) C_L$
			HIGH to LOW	150	300	ns	$139\text{ ns} + (0,23\text{ ns/pF}) C_L$
			LOW to HIGH	110	220	ns	$102\text{ ns} + (0,16\text{ ns/pF}) C_L$
	2^{10} selected	t_{PHL} ; t_{PLH}		425	850	ns	$398\text{ ns} + (0,55\text{ ns/pF}) C_L$
			HIGH to LOW	165	330	ns	$154\text{ ns} + (0,23\text{ ns/pF}) C_L$
			LOW to HIGH	120	240	ns	$112\text{ ns} + (0,16\text{ ns/pF}) C_L$
	2^{13} selected	t_{PHL} ; t_{PLH}		510	1020	ns	$483\text{ ns} + (0,55\text{ ns/pF}) C_L$
			HIGH to LOW	190	380	ns	$179\text{ ns} + (0,23\text{ ns/pF}) C_L$
			LOW to HIGH	135	270	ns	$127\text{ ns} + (0,16\text{ ns/pF}) C_L$
	2^{16} selected	t_{PHL} ; t_{PLH}		575	1150	ns	$548\text{ ns} + (0,55\text{ ns/pF}) C_L$
			HIGH to LOW	210	420	ns	$199\text{ ns} + (0,23\text{ ns/pF}) C_L$
			LOW to HIGH	150	300	ns	$142\text{ ns} + (0,16\text{ ns/pF}) C_L$
Minimum clock pulse width; LOW	5	t_{WRSL}	60	30	ns		
	10		30	15	ns		
	15		24	12	ns		
Minimum reset pulse width; HIGH	5	t_{WMRH}	60	30	ns		
	10		30	15	ns		
	15		24	12	ns		
Maximum clock pulse frequency	5	f_{max}	8	16	MHz		
	10		15	30	MHz		
	15		18	36	MHz		
Oscillator frequency	5	f_{osc}		90	kHz	$R_t = 5\text{ k}\Omega$	
	10			90	kHz	$C_t = 1\text{ nF}$	
	15			90	kHz	$R_S = 10\text{ k}\Omega$	
Oscillator frequency	5	f_{osc}		8	kHz	$R_t = 56\text{ k}\Omega$	
	10			8	kHz	$C_t = 1\text{ nF}$	
	15			8	kHz	$R_S = 120\text{ k}\Omega$	



LittleDiode supplies new, hard to find or obsolete electronic components and semiconductors all over the world.

With over two million different components listed you are sure to find the part you need.

Feel free to visit us today at our online store:

LittleDiode.com

Looking forward to providing you with the best possible service.