

DATA SHEET

For a complete data sheet, please also download:

- The IC04 LOCMOS HE4000B Logic Family Specifications HEF, HEC
- The IC04 LOCMOS HE4000B Logic Package Outlines/Information HEF, HEC

HEF4753B

LSI

Universal timer module

Product specification
File under Integrated Circuits, IC04

January 1995

Universal timer module

HEF4753B
LSI

DESCRIPTION

The HEF4753B is a universal timer module for counting and dividing as well as for event-recognition and manipulation of input sequences. The following functions are included: synchronization and edge-detection of the input signal, programmable counter, clock divider with different lengths, operating mode decoder, control logic and output multiplexer. Depending on the operating mode and the application, the circuit works as a presetable 8-bit counter with

transient-pulse suppression, pulse duration selector divider, counter, positive or negative edge delaying module or low-frequency control circuit. All manipulation possibilities depend on a time scaling, which is adjustable by the 8-bit programmable counter and the system clock. The system clock can be divided internally by 1, 16, 256 or 4096 as input clock for the counter. In all cases the manipulated input sequence appears at the only output OUT.

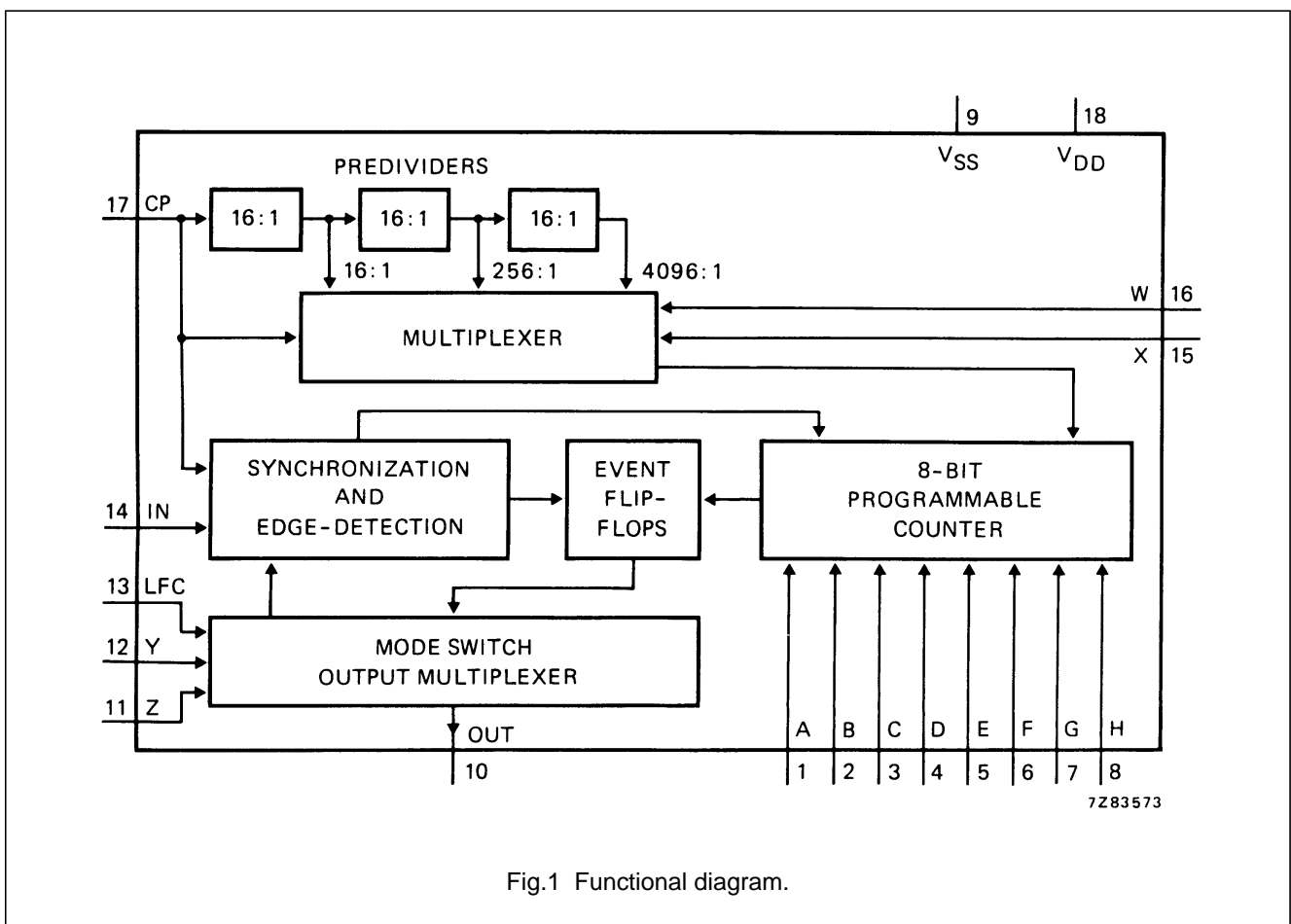


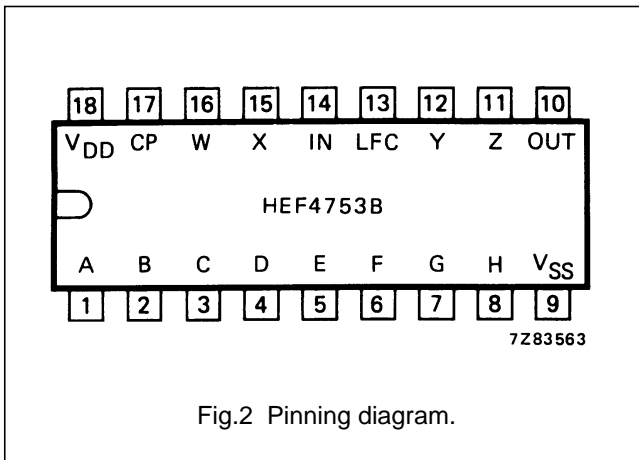
Fig.1 Functional diagram.

FAMILY DATA, I_{DD} LIMITS category LSI

See Family Specifications

Universal timer module

HEF4753B
LSI



FUNCTION TABLES

INPUTS			OPERATING MODE
LFC	Y	Z	
L	L	H	counter
L	H	L	divider
H	H	L	delayed LOW to HIGH edge
H	L	H	delayed HIGH to LOW edge
H	H	H	transient pulse suppression
L	H	H	frequency recognition
LFC	L	L	digital pulse duration selector

Notes

1. H = HIGH state (the more positive voltage).
2. L = LOW state (the less positive voltage).

HEF4753BP(N): 18-lead DIL; plastic (SOT102-3)

HEF4753BD(N): 18-lead DIL; ceramic (cerdip) (SOT133)

(): Package Designator North America

Programmable 8-bit counter ⁽¹⁾

INPUTS ACTIVE LOW	VALUE
A	1
B	2
C	4
D	8
E	16
F	32
G	64
H	128

Note

1. All inputs A to H HIGH is not allowed.

12-bit predivider

W	X	CLOCK FOR PROGRAMMABLE COUNTER CP/X
L	L	X = 1
L	H	X = 16
H	L	X = 256
H	H	X = 4096

Universal timer module

HEF4753B
LSI

FUNCTIONAL DESCRIPTION

Clock divider and decoder

The clock signal at input CP is, at its original frequency, the system clock, but it also drives the programmable counter. The counter input frequency can be predivided by the factors 1/16, 1/256 and 1/4096, depending on the logic state of inputs W and X (according to the function tables above).

8-bit programmable counter

The 8 inputs A to H are the set inputs of the 8 counter flip-flops. The setting is triggered by an edge of the input signal (at input IN) depending on of the chosen mode.

Event flip-flops, synchronization and edge-detection

The event flip-flops are used to recognize the positive and/or negative edge of the input signal at IN. Parts of the flip-flops are used together with the programmable 8-bit counter as a retriggerable mono-flop, which defines the time scaling for event recognition. The input IN is synchronized by the clock signal CP.

Mode switch and output multiplexer

This function switches the chosen output to the output (OUT) and gives the mode of which the edge at input IN has to be detected. The inputs Z, Y and LFC give 7 modes +1, that means in mode 'Digital Filter' the input LFC can be HIGH or LOW.

OPERATING MODES

The circuit has 6 operating modes which are activated by the logic state of inputs LFC, Y and Z. An extra mode is possible by using two circuits which are connected such so they function as a digital band-filter.

1. Counter mode (LFC = LOW; Y = LOW; Z = HIGH)

In this mode the output OUT should be connected to input IN. If not, only one counter cycle starts after a transition at input IN (see Fig.3 and note 1.).

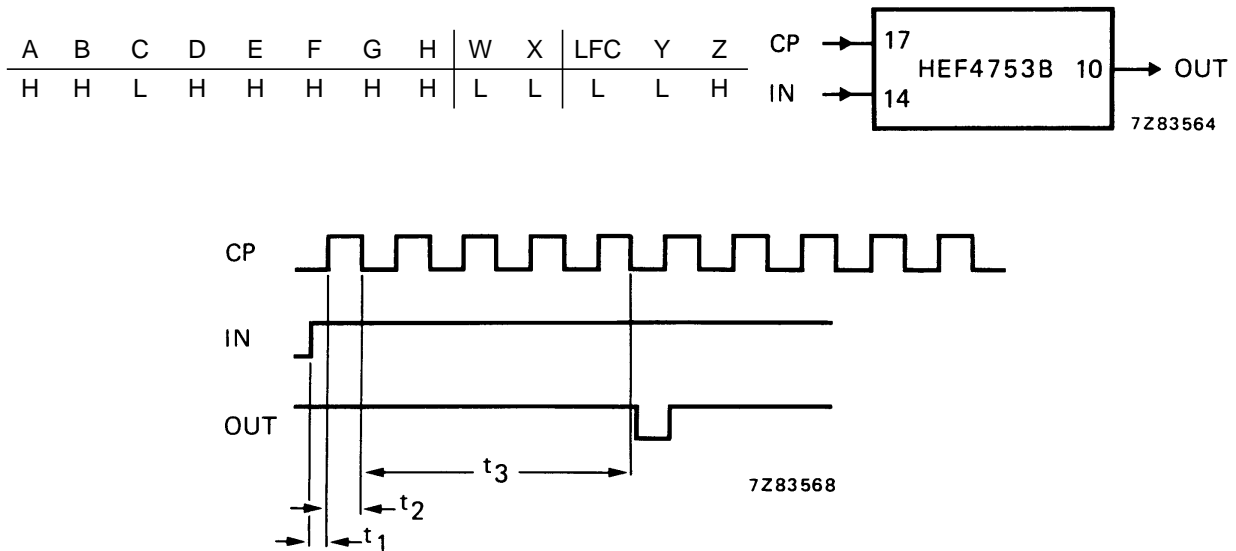


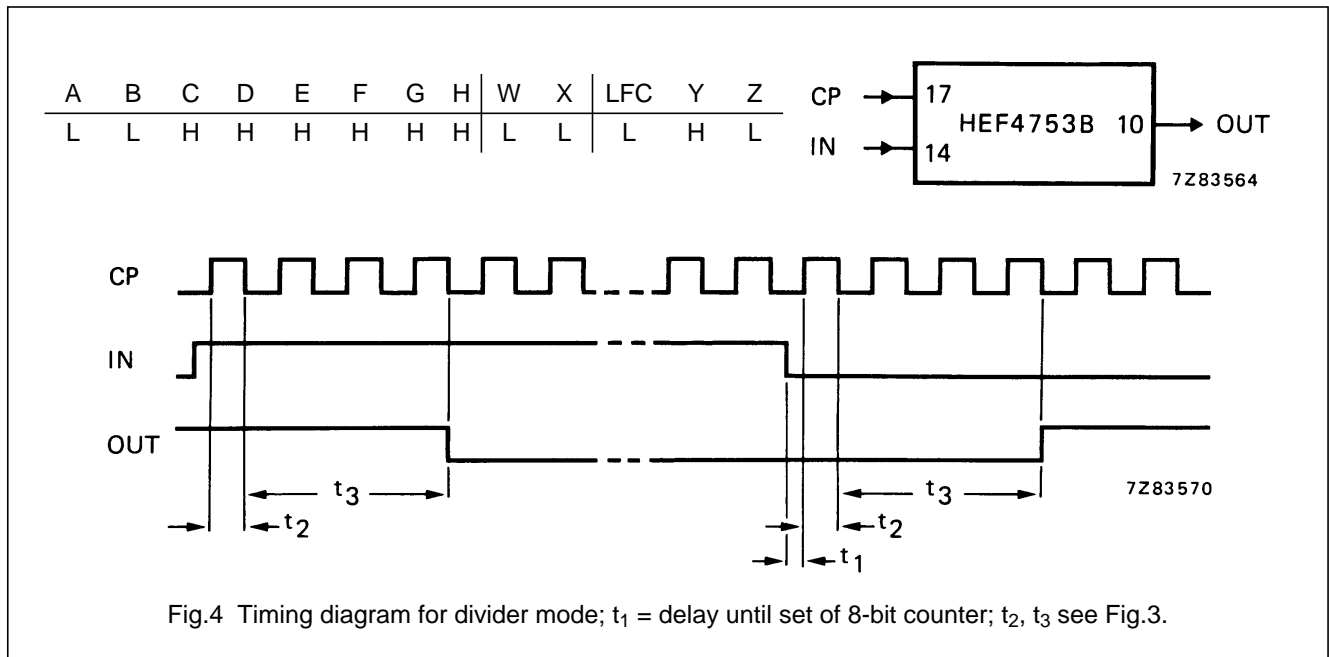
Fig.3 Timing diagram for counter mode; t_1 = delay until set of 8-bit counter; t_2 = delay to set 8-bit counter; t_3 = predefined delay by programming.

Universal timer module

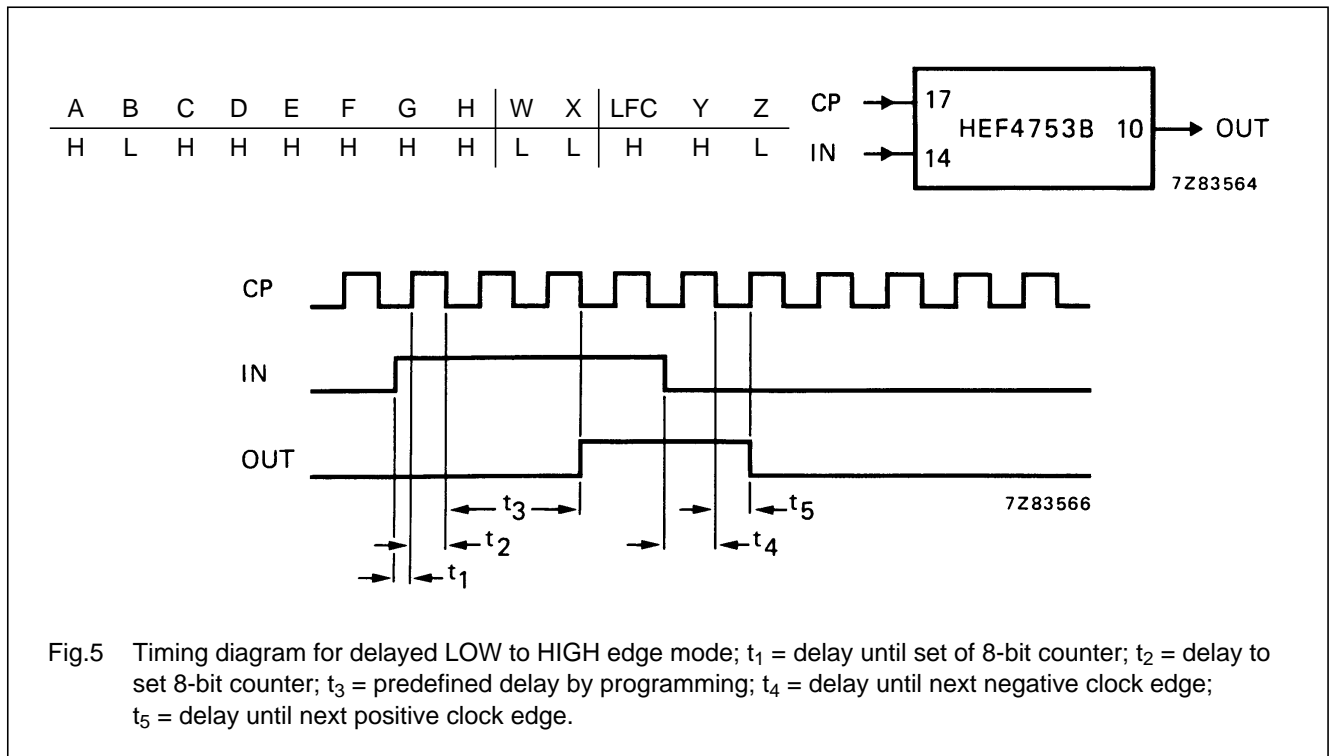
HEF4753B
LSI

2. Divider mode (LFC = LOW; Y = HIGH; Z = LOW)

In this mode the output OUT should be connected to input IN. If not, only one counter cycle starts after a transition at input IN (see Fig.4 and note 1.).



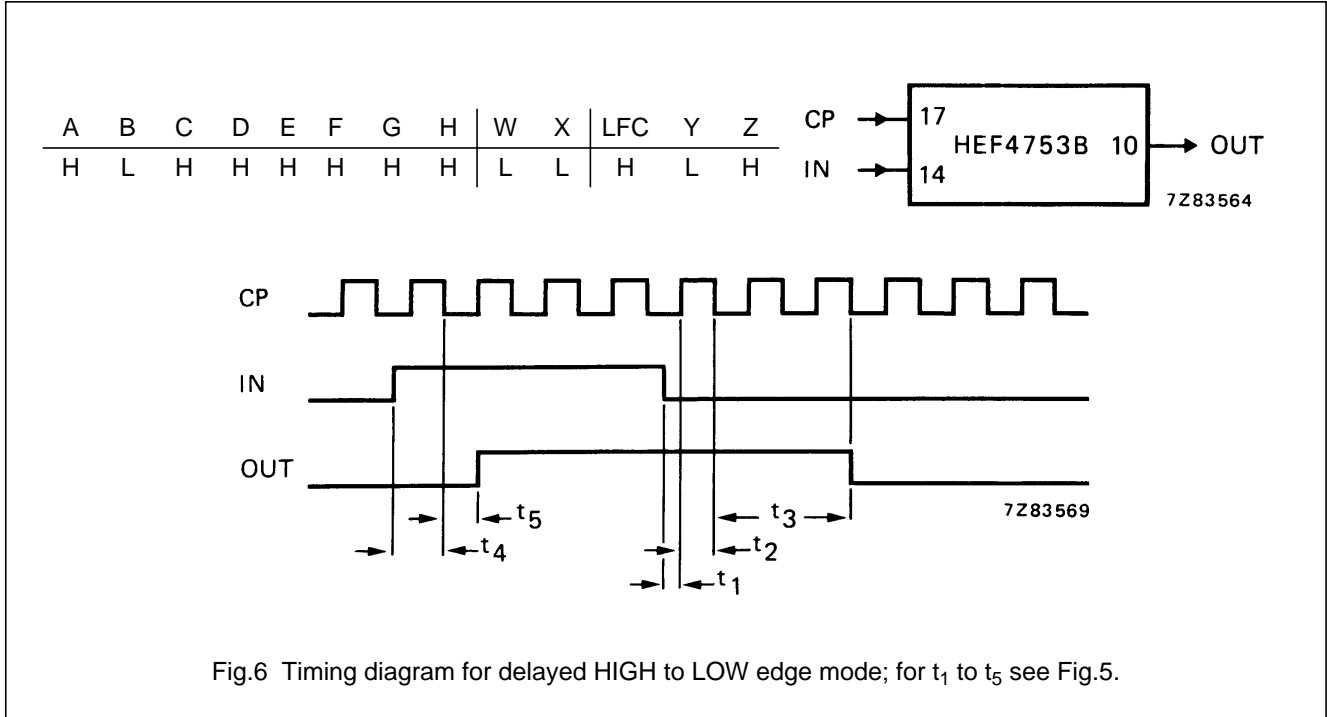
3. Delayed LOW to HIGH edge mode; see note 2. (LFC = HIGH; Y = HIGH; Z = LOW)



Universal timer module

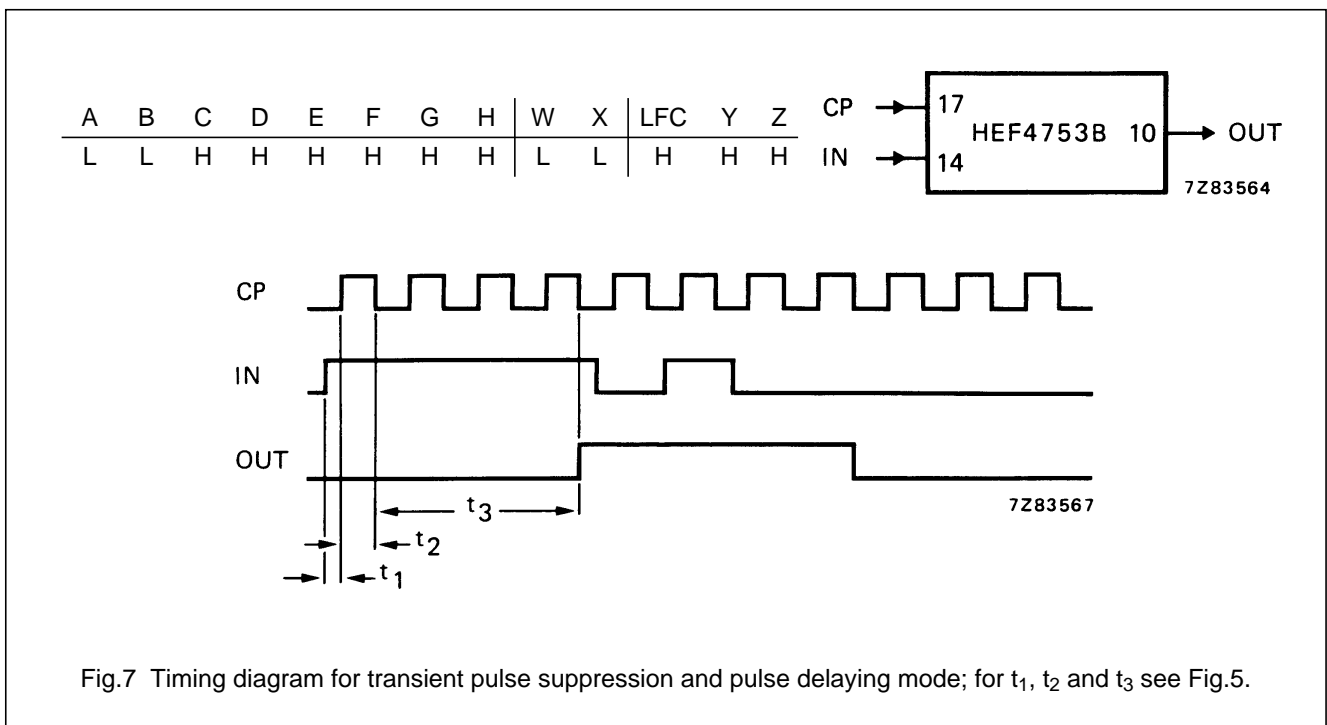
HEF4753B
LSI

4. Delayed HIGH to LOW edge mode; see note 2. (LFC = HIGH; Y = LOW; Z = HIGH)



5. Transient pulse suppression and pulse delaying mode; see note 2. (LFC = Y = Z = HIGH)

In this mode the circuit is working as a digital low-pass filter. An undisturbed pulse will only be delayed (see Fig.7).

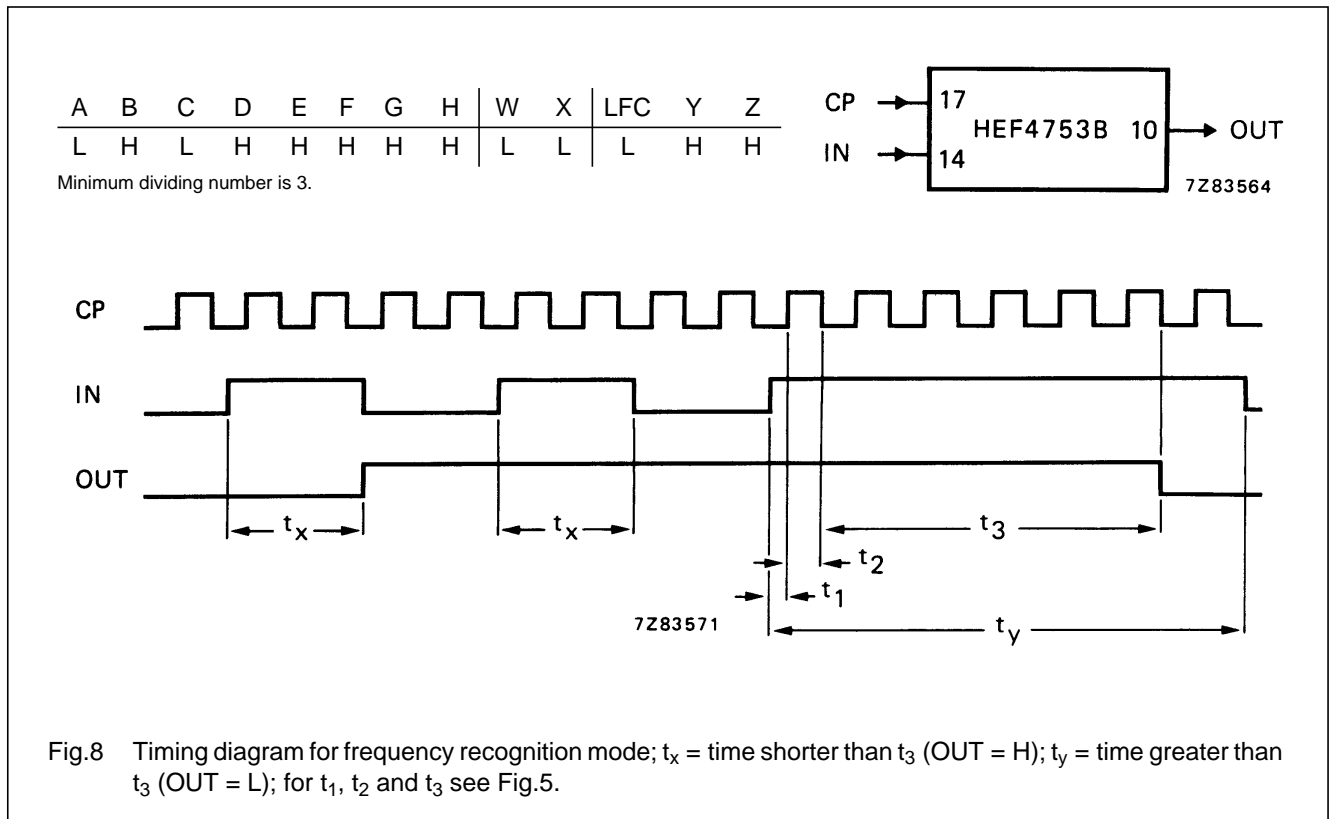


Universal timer module

HEF4753B
LSI

6. Frequency recognition mode (LFC = LOW; Y = HIGH; Z = HIGH)

The incoming signal must be symmetrical within the limits as given by the specified delay time in note 2., to achieve lower or higher frequency detection (see Fig.8).

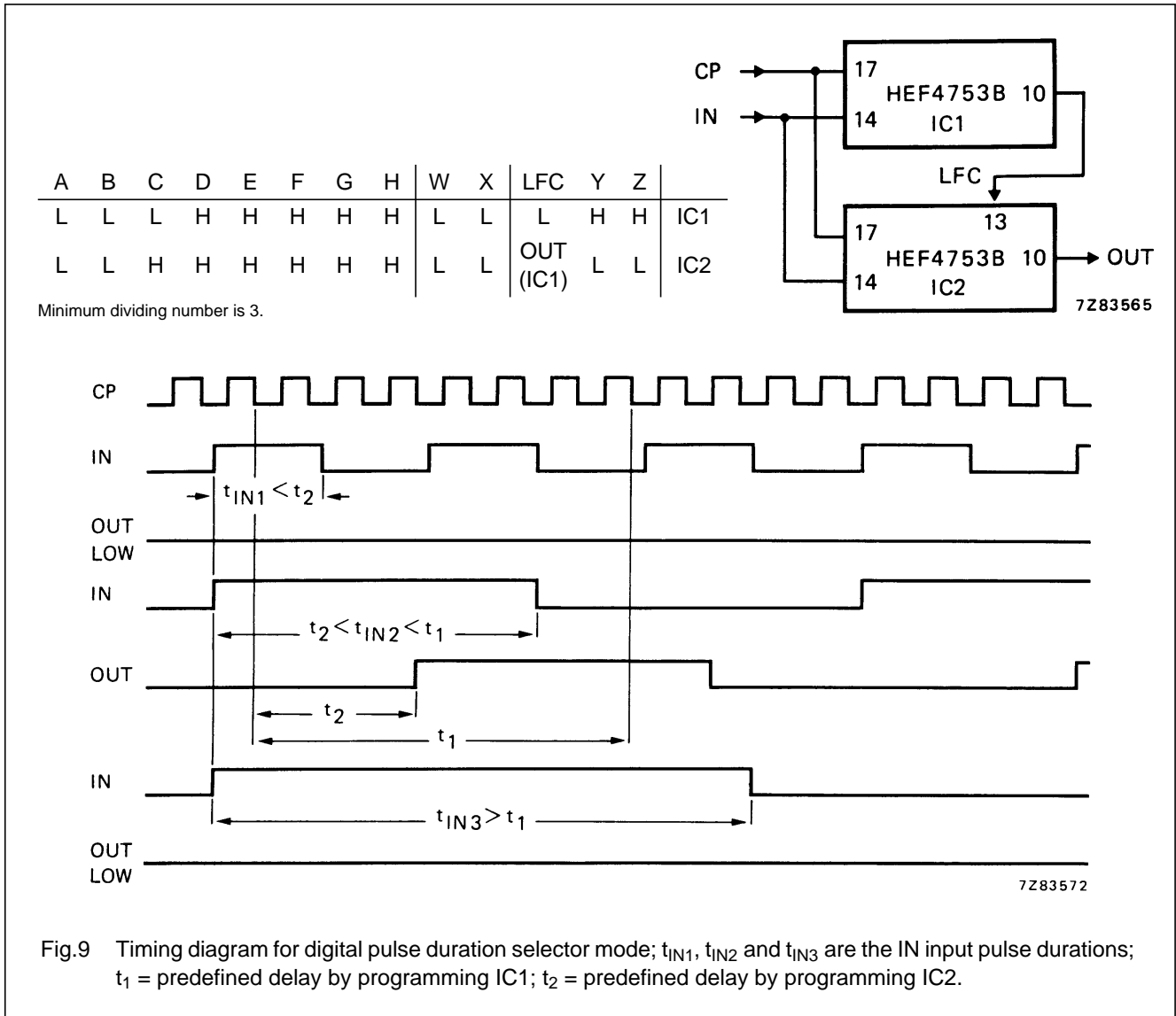


Universal timer module

HEF4753B
LSI

7. Digital pulse duration selector mode (Y = Z = LOW)

This mode is a combination of two circuits, both used for frequency recognition. Both circuits are driven by the same clock and same input signal, but programmed for different frequencies. The LFC input of the low-frequency circuit is set to logic LOW, the output is connected to the LFC input of the high-frequency circuit, whose output (OUT) is the 'filter' output. The delay time depends on the same facts as given in note 2.. For timing diagram see Fig.9.



Notes to operating modes

1. The number of clocks for one cycle in the counter and divider mode is:
 - a. Contents of programmable counter plus one if X = W = LOW.
 - b. Contents of programmable counter multiplied by 16, 256 or 4096 if X and/or W = HIGH.
2. The delay in the modes 3, 4, 6 and 7, and the delay which is identical to the maximum duration of the transient pulse in mode 5 depend on the optional divided clock frequency, the input conditions of the 8-bit presetable counter and in addition, different times of propagation delays, jitter and maximum one half of a clock frequency period.

Universal timer module

HEF4753B
LSI

DC CHARACTERISTICS

 $V_{SS} = 0\text{ V}$

	V_{DD} V	V_{OH} V	V_{OL} V	SYMBOL	T_{amb} (°C)						
					-40		+ 25		+ 85		
					MIN.	MAX.	MIN.	MAX.	MIN.	MAX.	
Output (sink) current LOW (pin 10)	4,75		0,4	I_{OL}	2,7	–	2,3	–	1,8	–	mA
	10		0,5		9,5	–	8,0	–	6,3	–	mA
	15		1,5		24,0	–	20,0	–	16,0	–	mA
Output (source) current HIGH (pin 10)	5	4,6		$-I_{OH}$	0,6	–	0,5	–	0,4	–	mA
	10	9,5			1,8	–	1,5	–	1,2	–	mA
	15	13,5			6,0	–	5,0	–	4,0	–	mA

AC CHARACTERISTICS

 $V_{SS} = 0\text{ V}$; $T_{amb} = 25\text{ °C}$; $C_L = 50\text{ pF}$; input transition times $\leq 20\text{ ns}$

	V_{DD} V	SYMBOL	MIN.	TYP.	MAX.	TYPICAL EXTRAPOLATION FORMULA	
Propagation delays CP → OUT HIGH to LOW LOW to HIGH	5	t_{PHL}		420	850	ns	
	10		180	360	ns		
	15		120	250	ns		
	5	t_{PLH}		450	900	ns	
	10		200	400	ns		
	15		140	280	ns		
Output transition times HIGH to LOW LOW to HIGH	5	t_{THL}		30	60	ns	
	10		15	30	ns		
	15		10	20	ns		
	5	t_{TLH}		60	120	ns	
	10		30	60	ns		
	15		20	40	ns		
Input rise and fall times pins 13, 14, 17	5	t_r, t_f	no limit				
	10						
	15						
Maximum clock pulse frequency pins 17; $\delta = 50\%$	5	f_{max}	3	6		MHz	
	10		7	14		MHz	
	15		8	17		MHz	

Universal timer module

HEF4753B
LSI

	V_{DD} V	TYPICAL FORMULA FOR P (μ W)	
Dynamic power dissipation per package (P)	5 10 15	$1\,800 f_i + \sum (f_o C_L) \times V_{DD}^2$ $8\,000 f_i + \sum (f_o C_L) \times V_{DD}^2$ $19\,000 f_i + \sum (f_o C_L) \times V_{DD}^2$	where f_i = input freq. (MHz) f_o = output freq. (MHz) C_L = load capacitance (pF) $\sum (f_o C_L)$ = sum of outputs V_{DD} = supply voltage (V)



LittleDiode supplies new, hard to find or obsolete electronic components and semiconductors all over the world.

With over two million different components listed you are sure to find the part you need.

Feel free to visit us today at our online store:

LittleDiode.com

Looking forward to providing you with the best possible service.