

256K (32K x 8) CMOS EPROM

FEATURES

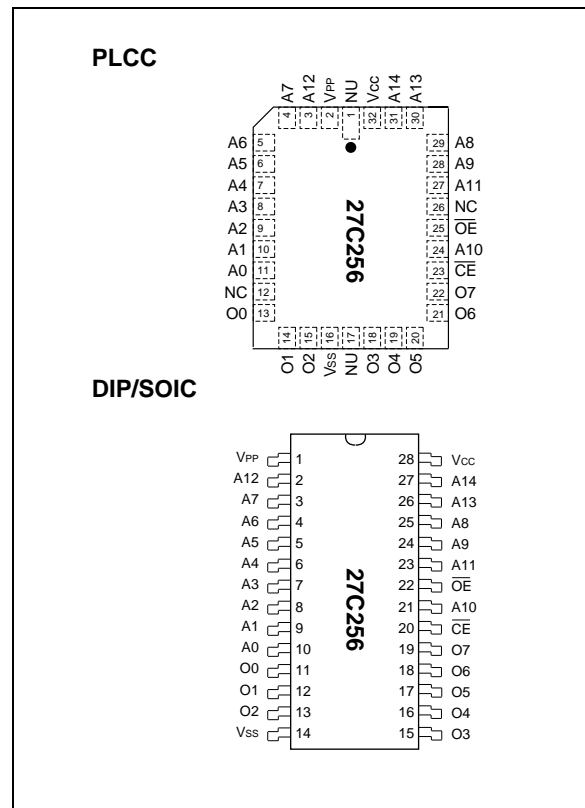
- High speed performance
 - 90 ns access time available
- CMOS Technology for low power consumption
 - 20 mA Active current
 - 100 μ A Standby current
- Factory programming available
- Auto-insertion-compatible plastic packages
- Auto ID aids automated programming
- Separate chip enable and output enable controls
- High speed "express" programming algorithm
- Organized 32K x 8: JEDEC standard pinouts
 - 28-pin Dual-in-line package
 - 32-pin PLCC Package
 - 28-pin SOIC package
 - Tape and reel
- Data Retention > 200 years
- Available for the following temperature ranges:
 - Commercial: 0°C to +70°C
 - Industrial: -40°C to +85°C
 - Automotive: -40°C to +125°C

DESCRIPTION

The Microchip Technology Inc. 27C256 is a CMOS 256K bit electrically Programmable Read Only Memory (EPROM). The device is organized as 32K words by 8 bits (32K bytes). Accessing individual bytes from an address transition or from power-up (chip enable pin going low) is accomplished in less than 90 ns. This very high speed device allows the most sophisticated micro-processors to run at full speed without the need for WAIT states. CMOS design and processing enables this part to be used in systems where reduced power consumption and reliability are requirements.

A complete family of packages is offered to provide the most flexibility in applications. For surface mount applications, PLCC, or SOIC packaging is available. Tape and reel packaging is also available for PLCC or SOIC packages.

PACKAGE TYPES



1.0 ELECTRICAL CHARACTERISTICS

1.1 Maximum Ratings*

VCC and input voltages w.r.t. VSS -0.6V to +7.25V
 VPP voltage w.r.t. VSS during programming -0.6V to +14.0V
 Voltage on A9 w.r.t. VSS -0.6V to +13.5V
 Output voltage w.r.t. VSS -0.6V to VCC +1.0V
 Storage temperature -65°C to +150°C
 Ambient temp. with power applied -65°C to +125°C

*Notice: Stresses above those listed under "Maximum Ratings" may cause permanent damage to the device. This is a stress rating only and functional operation of the device at those or any other conditions above those indicated in the operation listings of this specification is not implied. Exposure to maximum rating conditions for extended periods may affect device reliability.

TABLE 1-1: PIN FUNCTION TABLE

| Name | Function |
|-----------------|---|
| A0-A14 | Address Inputs |
| \overline{CE} | Chip Enable |
| \overline{OE} | Output Enable |
| VPP | Programming Voltage |
| O0 - O7 | Data Output |
| VCC | +5V Power Supply |
| VSS | Ground |
| NC | No Connection; No Internal Connection |
| NU | Not Used; No External Connection Is Allowed |

TABLE 1-2: READ OPERATION DC CHARACTERISTICS

| VCC = +5V (±10%) Commercial: Tamb = 0°C to +70°C Industrial: Tamb = -40°C to +85°C Extended (Automotive): Tamb = -40°C to +125°C | | | | | | | |
|---|------------------|------------|--------------------|----------------------|--------------------|-------|--|
| Parameter | Part* | Status | Symbol | Min. | Max. | Units | Conditions |
| Input Voltages | all | Logic "1" | V _{IH} | 2.0 | V _{CC} +1 | V | |
| | | Logic "0" | V _{IL} | -0.5 | 0.8 | V | |
| Input Leakage | all | — | I _{LI} | -10 | 10 | μA | V _{IN} = 0 to V _{CC} |
| Output Voltages | all | Logic "1" | V _{OH} | 2.4 | 0.45 | V | I _{OH} = -400 μA I _{OL} = 2.1 mA |
| | | Logic "0" | V _{OL} | | | V | |
| Output Leakage | all | — | I _{LO} | -10 | 10 | μA | V _{OUT} = 0V to V _{CC} |
| Input Capacitance | all | — | C _{IN} | — | 6 | pF | V _{IN} = 0V; Tamb = 25°C; f = 1 MHz |
| Power Supply Current, Active | C I, E | TTL input | I _{CC1} | — | 20 | mA | V _{CC} = 5.5V; V _{PP} = V _{CC} f = 1 MHz; $\overline{OE} = \overline{CE} = V_{IL}$; I _{OUT} = 0 mA; V _{IL} = -0.1 to 0.8V; V _{IH} = 2.0 to V _{CC} ; Note 1 |
| | | TTL input | I _{CC2} | — | 25 | mA | |
| Power Supply Current, Standby | C I, E all | TTL input | I _{CC(S)} | — | 2 | mA | $\overline{CE} = V_{CC} \pm 0.2V$ |
| | | TTL input | | | 3 | mA | |
| | | CMOS input | | | 100 | μA | |
| IPP Read Current | all | Read Mode | I _{PP} | V _{CC} -0.7 | 100 | μA | V _{PP} = 5.5V |
| VPP Read Voltage | all | Read Mode | V _{PP} | V _{CC} -0.7 | V _{CC} | V | |

* Parts: C=Commercial Temperature Range; I, E=Industrial and Extended Temperature Ranges

Note 1: Typical active current increases .75 mA per MHz up to operating frequency for all temperature ranges.

TABLE 1-3: READ OPERATION AC CHARACTERISTICS

| | | AC Testing Waveform: $V_{IH} = 2.4V$ and $V_{IL} = 0.45V$; $V_{OH} = 2.0V$ $V_{OL} = 0.8V$ Output Load: 1 TTL Load + 100 pF Input Rise and Fall Times: 10 ns Ambient Temperature: Commercial: $T_{amb} = 0^{\circ}C$ to $+70^{\circ}C$ Industrial: $T_{amb} = -40^{\circ}C$ to $+85^{\circ}C$ Automotive: $T_{amb} = -40^{\circ}C$ to $+125^{\circ}C$ | | | | | | | | | | | |
|--|------|---|-----|------------|-----|-----------|-----|-----------|-----|-----------|-----|-------|--|
| Parameter | Sym | 27C256-90* | | 27C256-10* | | 27C256-12 | | 27C256-15 | | 27C256-20 | | Units | Conditions |
| | | Min | Max | Min | Max | Min | Max | Min | Max | Min | Max | | |
| Address to Output Delay | tACC | — | 90 | — | 100 | — | 120 | — | 150 | — | 200 | ns | $\overline{CE} = \overline{OE} = V_{IL}$ |
| \overline{CE} to Output Delay | tCE | — | 90 | — | 100 | — | 120 | — | 150 | — | 200 | ns | $\overline{OE} = V_{IL}$ |
| \overline{OE} to Output Delay | tOE | — | 40 | — | 45 | — | 55 | — | 65 | — | 75 | ns | $\overline{CE} = V_{IL}$ |
| \overline{CE} or \overline{OE} to O/P High Impedance | tOFF | 0 | 30 | 0 | 30 | 0 | 35 | 0 | 50 | 0 | 55 | ns | |
| Output Hold from Address \overline{CE} or \overline{OE} , whichever goes first | tOH | 0 | — | 0 | — | 0 | — | 0 | — | 0 | — | ns | |

* -10, -90 AC Testing Waveform: $V_{IH} = 2.4V$ and $V_{IL} = .45V$; $V_{OH} = 1.5V$ and $V_{OL} = 1.5V$
Output Load: 1 TTL Load + 30pF

FIGURE 1-1: READ WAVEFORMS

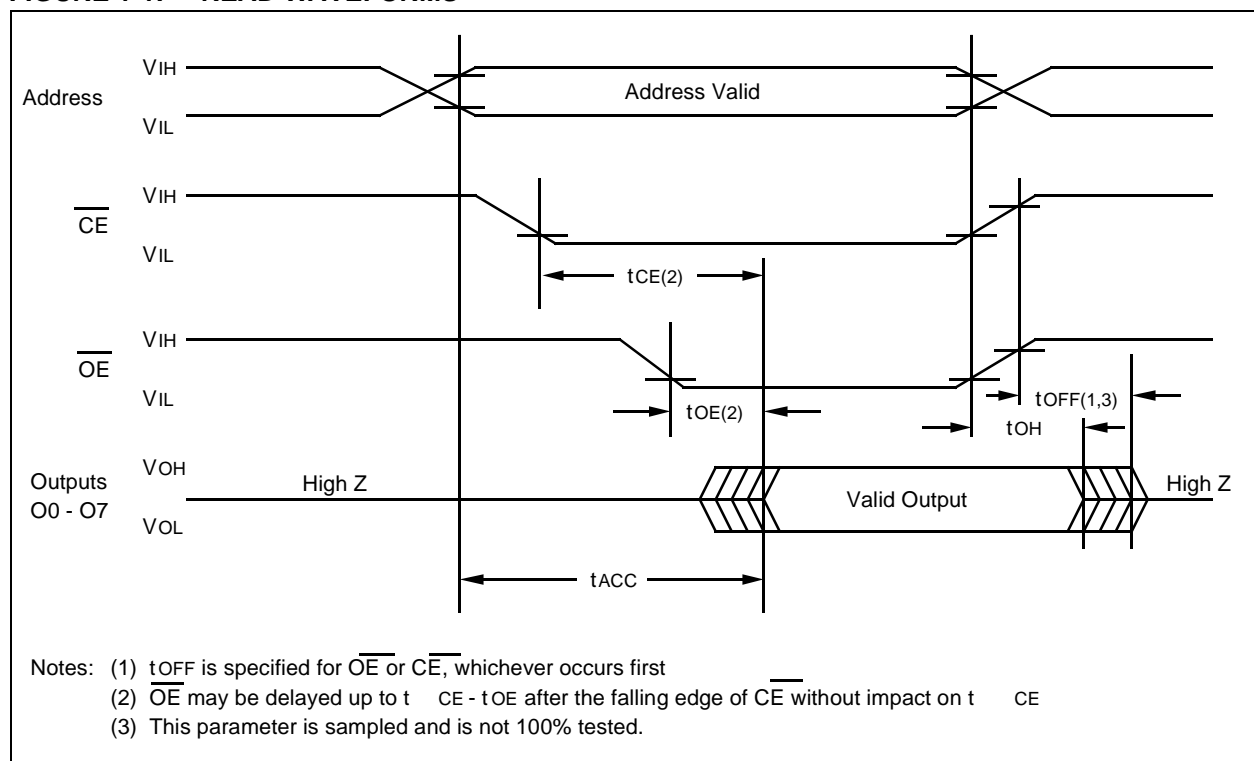


TABLE 1-4: PROGRAMMING DC CHARACTERISTICS

| Ambient Temperature: $T_{amb} = 25^{\circ}\text{C} \pm 5^{\circ}\text{C}$ $V_{CC} = 6.5\text{V} \pm 0.25\text{V}$, $V_{PP} = V_H = 13.0\text{V} \pm 0.25\text{V}$ | | | | | | |
|---|----------|-----------|------|------------|---------------|---|
| Parameter | Status | Symbol | Min | Max. | Units | Conditions |
| Input Voltages | Logic"1" | V_{IH} | 2.0 | $V_{CC}+1$ | V | |
| | Logic"0" | V_{IL} | -0.1 | 0.8 | V | |
| Input Leakage | — | I_{LI} | -10 | 10 | μA | $V_{IN} = 0\text{V to } V_{CC}$ |
| Output Voltages | Logic"1" | V_{OH} | 2.4 | 0.45 | V | $I_{OH} = -400\ \mu\text{A}$ $I_{OL} = 2.1\ \text{mA}$ |
| | Logic"0" | V_{OL} | | | V | |
| VCC Current, program & verify | — | I_{CC2} | — | 20 | mA | Note 1 |
| VPP Current, program | — | I_{PP2} | — | 25 | mA | Note 1 |
| A9 Product Identification | — | V_H | 11.5 | 12.5 | V | |

Note 1: VCC must be applied simultaneously or before VPP and removed simultaneously or after VPP

TABLE 1-5: PROGRAMMING AC CHARACTERISTICS

| for Program, Program Verify and Program Inhibit Modes | | | | | | |
|--|--------|------|------|---------------|---------------------------|--|
| AC Testing Waveform: $V_{IH}=2.4\text{V}$ and $V_{IL}=0.45\text{V}$; $V_{OH}=2.0\text{V}$; $V_{OL}=0.8\text{V}$ Output Load: 1 TTL Load + 100pF Ambient Temperature: $T_{amb}=25^{\circ}\text{C} \pm 5^{\circ}\text{C}$ $V_{CC}= 6.5\text{V} \pm 0.25\text{V}$, $V_{PP} = V_H = 13.0\text{V} \pm 0.25\text{V}$ | | | | | | |
| Parameter | Symbol | Min. | Max. | Units | Remarks | |
| Address Set-Up Time | tAS | 2 | — | μs | | |
| Data Set-Up Time | tDS | 2 | — | μs | | |
| Data Hold Time | tDH | 2 | — | μs | | |
| Address Hold Time | tAH | 0 | — | μs | | |
| Float Delay (2) | tDF | 0 | 130 | ns | | |
| VCC Set-Up Time | tVCS | 2 | — | μs | | |
| Program Pulse Width (1) | tPW | 95 | 105 | μs | 100 μs typical | |
| $\overline{\text{CE}}$ Set-Up Time | tCES | 2 | — | μs | | |
| $\overline{\text{OE}}$ Set-Up Time | tOES | 2 | — | μs | | |
| VPP Set-Up Time | tVPS | 2 | — | μs | | |
| Data Valid from $\overline{\text{OE}}$ | tOE | — | 100 | ns | | |

Note 1: For express algorithm, initial programming width tolerance is 100 $\mu\text{s} \pm 5\%$.

2: This parameter is only sampled and not 100% tested. Output float is defined as the point where data is no longer driven (see timing diagram).

FIGURE 1-2: PROGRAMMING WAVEFORMS

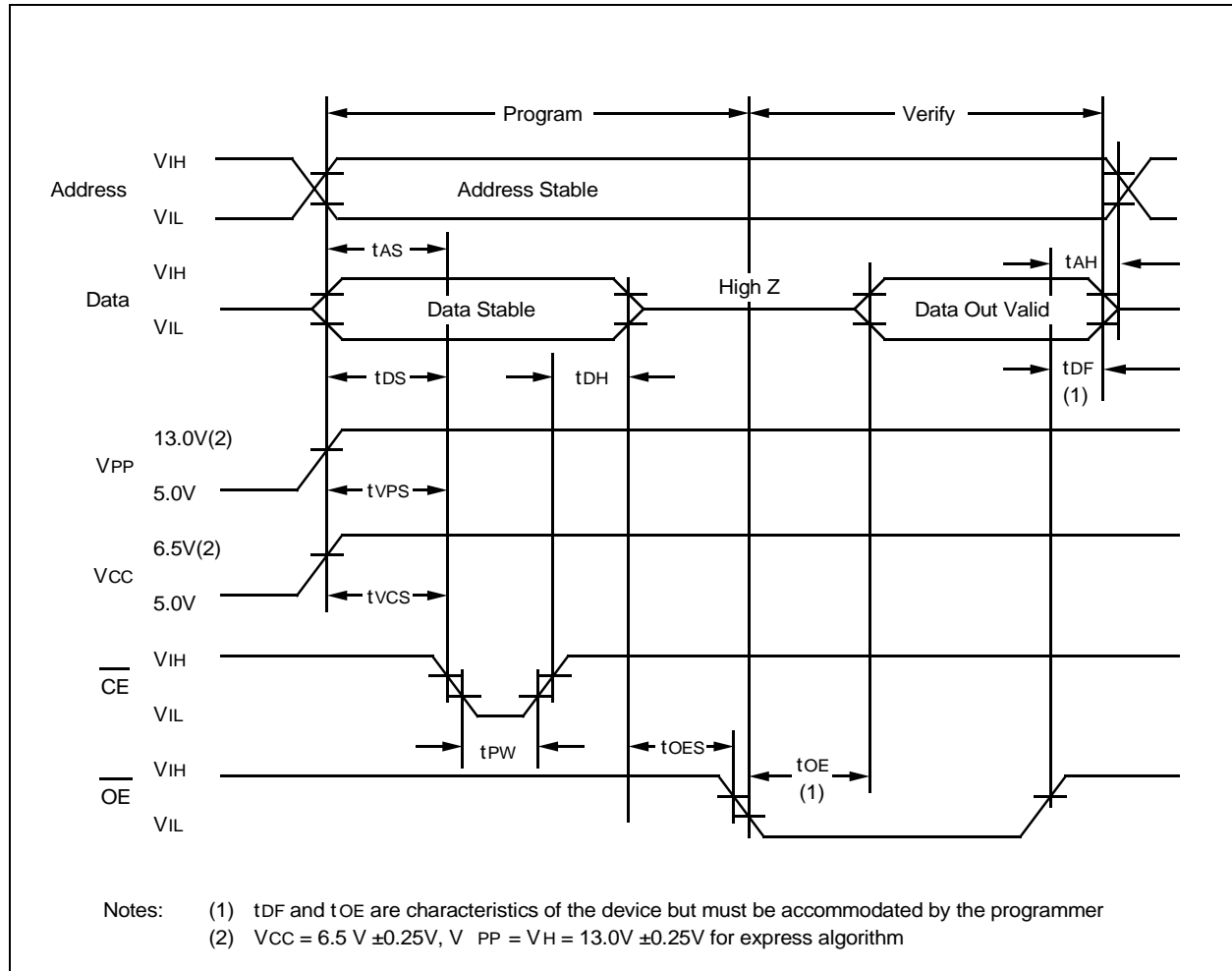


TABLE 1-6: MODES

| Operation Mode | \overline{CE} | \overline{OE} | V_{PP} | A9 | O0 - O7 |
|-----------------|-----------------|-----------------|----------|-------|---------------|
| Read | VIL | VIL | VCC | X | DOUT |
| Program | VIL | V_{IH} | V_H | X | DIN |
| Program Verify | V_{IH} | VIL | V_H | X | DOUT |
| Program Inhibit | V_{IH} | V_{IH} | V_H | X | High Z |
| Standby | V_{IH} | X | VCC | X | High Z |
| Output Disable | VIL | V_{IH} | VCC | X | High Z |
| Identity | VIL | VIL | VCC | V_H | Identity Code |

X = Don't Care

1.2 Read Mode

(See Timing Diagrams and AC Characteristics)

Read Mode is accessed when:

- the \overline{CE} pin is low to power up (enable) the chip
- the \overline{OE} pin is low to gate the data to the output pins

For Read operations, if the addresses are stable, the address access time (t_{ACC}) is equal to the delay from \overline{CE} to output (t_{CE}). Data is transferred to the output after a delay from the falling edge of \overline{OE} (t_{OE}).

1.3 Standby Mode

The standby mode is defined when the \overline{CE} pin is high (VIH) and a program mode is not defined.

When these conditions are met, the supply current will drop from 20 mA to 100 μ A.

1.4 Output Enable

This feature eliminates bus contention in multiple bus microprocessor systems and the outputs go to a high impedance when the following condition is true:

- The \overline{OE} pin is high and the program mode is not defined.

1.5 Erase Mode (U.V. Windowed Versions)

Windowed products offer the ability to erase the memory array. The memory matrix is erased to the all 1's state when exposed to ultraviolet light. To ensure complete erasure, a dose of 15 watt-second/cm² is required. This means that the device window must be placed within one inch and directly underneath an ultraviolet lamp with a wavelength of 2537 Angstroms, intensity of 12,000 μ W/cm² for approximately 20 minutes.

1.6 Programming Mode

The Express Algorithm has been developed to improve on the programming throughput times in a production environment. Up to ten 100-microsecond pulses are applied until the byte is verified. No overprogramming is required. A flowchart of the express algorithm is shown in Figure 1-3.

Programming takes place when:

- VCC is brought to the proper voltage,
- VPP is brought to the proper VH level,
- the \overline{OE} pin is high, and
- the \overline{CE} pin is low.

Since the erased state is "1" in the array, programming of "0" is required. The address to be programmed is set via pins A0-A14 and the data to be programmed is presented to pins O0-O7. When data and address are stable, a low going pulse on the \overline{CE} line programs that location.

1.7 Verify

After the array has been programmed it must be verified to ensure all the bits have been correctly programmed. This mode is entered when all the following conditions are met:

- VCC is at the proper level,
- VPP is at the proper VH level,
- the \overline{CE} line is high, and
- the \overline{OE} line is low.

1.8 Inhibit

When programming multiple devices in parallel with different data, only \overline{CE} need be under separate control to each device. By pulsing the \overline{CE} line low on a particular device, that device will be programmed; all other devices with \overline{CE} held high will not be programmed with the data, although address and data will be available on their input pins.

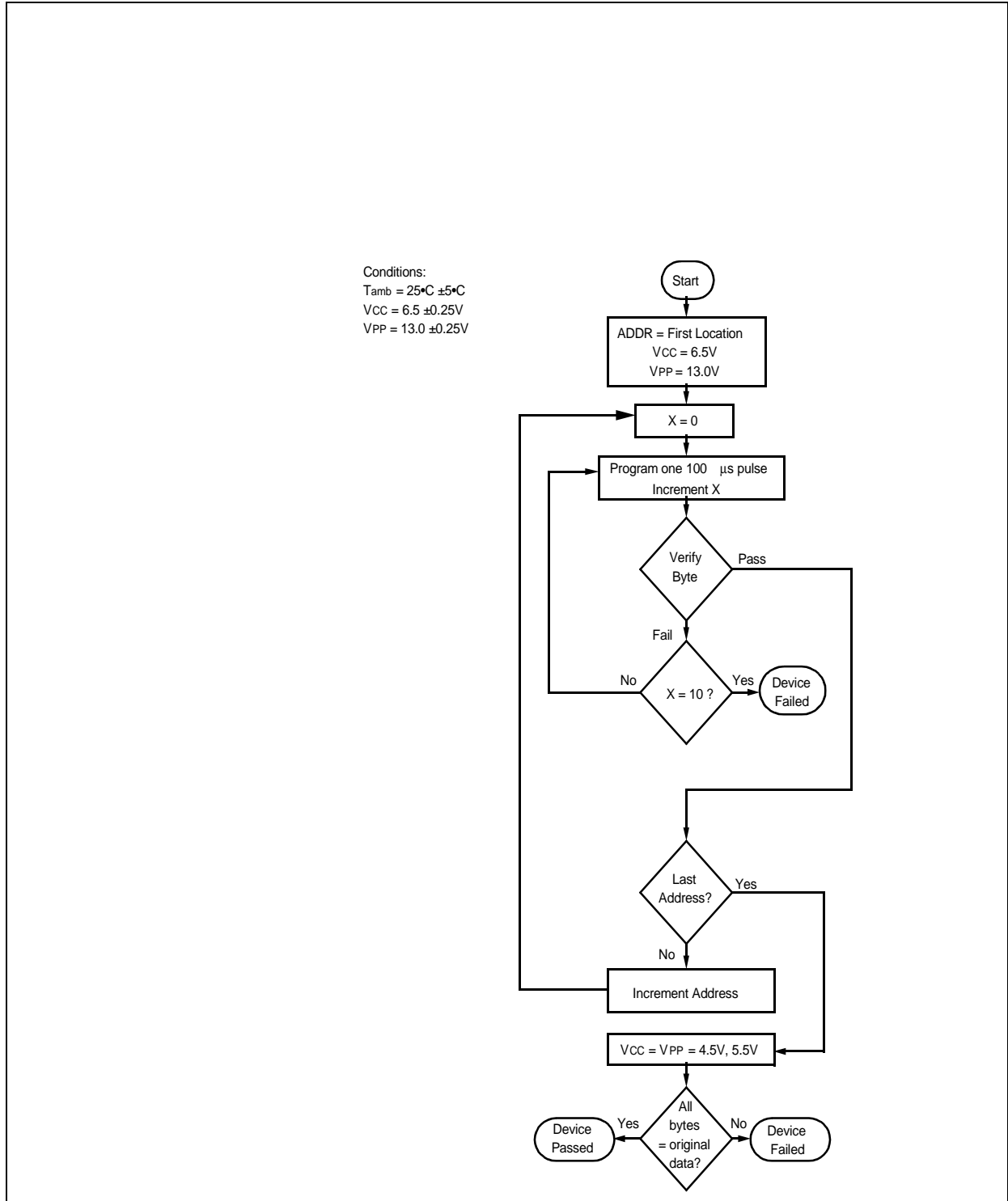
1.9 Identity Mode

In this mode specific data is output which identifies the manufacturer as Microchip Technology Inc. and device type. This mode is entered when Pin A9 is taken to VH (11.5V to 12.5V). The \overline{CE} and \overline{OE} lines must be at VIL. A0 is used to access any of the two non-erasable bytes whose data appears on O0 through O7.

| Pin \rightarrow | Input | Output | | | | | | | | |
|-----------------------|-------|--------|---|---|---|---|---|---|---|-------------|
| Identity \downarrow | A0 | 0 | 0 | 0 | 0 | 0 | 0 | 0 | 0 | H e x |
| Manufacturer | VIL | 0 | 0 | 1 | 0 | 1 | 0 | 0 | 1 | 29 |
| Device Type* | VIH | 1 | 0 | 0 | 0 | 1 | 1 | 0 | 0 | 8C |

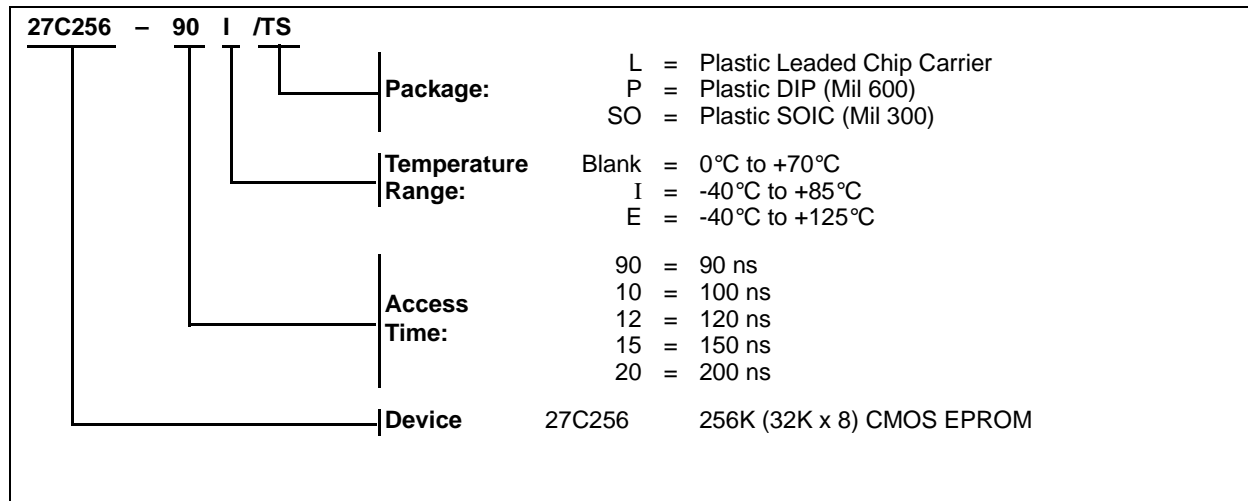
* Code subject to change

FIGURE 1-3: PROGRAMMING EXPRESS ALGORITHM



27C256 Product Identification System

To order or to obtain information (e.g., on pricing or delivery), please use listed part numbers, and refer to factory or listed sales offices.



Note the following details of the code protection feature on Microchip devices:

- Microchip products meet the specification contained in their particular Microchip Data Sheet.
- Microchip believes that its family of products is one of the most secure families of its kind on the market today, when used in the intended manner and under normal conditions.
- There are dishonest and possibly illegal methods used to breach the code protection feature. All of these methods, to our knowledge, require using the Microchip products in a manner outside the operating specifications contained in Microchip's Data Sheets. Most likely, the person doing so is engaged in theft of intellectual property.
- Microchip is willing to work with the customer who is concerned about the integrity of their code.
- Neither Microchip nor any other semiconductor manufacturer can guarantee the security of their code. Code protection does not mean that we are guaranteeing the product as "unbreakable."

Code protection is constantly evolving. We at Microchip are committed to continuously improving the code protection features of our products. Attempts to break Microchip's code protection feature may be a violation of the Digital Millennium Copyright Act. If such acts allow unauthorized access to your software or other copyrighted work, you may have a right to sue for relief under that Act.

Information contained in this publication regarding device applications and the like is intended through suggestion only and may be superseded by updates. It is your responsibility to ensure that your application meets with your specifications. No representation or warranty is given and no liability is assumed by Microchip Technology Incorporated with respect to the accuracy or use of such information, or infringement of patents or other intellectual property rights arising from such use or otherwise. Use of Microchip's products as critical components in life support systems is not authorized except with express written approval by Microchip. No licenses are conveyed, implicitly or otherwise, under any intellectual property rights.

Trademarks

The Microchip name and logo, the Microchip logo, Accuron, dsPIC, KEELOQ, microID, MPLAB, PIC, PICmicro, PICSTART, PRO MATE, PowerSmart, rPIC, and SmartShunt are registered trademarks of Microchip Technology Incorporated in the U.S.A. and other countries.


AmpLab, FilterLab, MXDEV, MXLAB, PICMASTER, SEEVAL, SmartSensor and The Embedded Control Solutions Company are registered trademarks of Microchip Technology Incorporated in the U.S.A.

Analog-for-the-Digital Age, Application Maestro, dsPICDEM, dsPICDEM.net, dsPICworks, ECAN, ECONOMONITOR, FanSense, FlexROM, fuzzyLAB, In-Circuit Serial Programming, ICSP, ICEPIC, Migratable Memory, MPASM, MPLIB, MPLINK, MPSIM, PICkit, PICDEM, PICDEM.net, PICLAB, PICtail, PowerCal, PowerInfo, PowerMate, PowerTool, rLAB, rPICDEM, Select Mode, Smart Serial, SmartTel and Total Endurance are trademarks of Microchip Technology Incorporated in the U.S.A. and other countries.

SQTP is a service mark of Microchip Technology Incorporated in the U.S.A.

All other trademarks mentioned herein are property of their respective companies.

© 2004, Microchip Technology Incorporated, Printed in the U.S.A., All Rights Reserved.

 Printed on recycled paper.

**QUALITY MANAGEMENT SYSTEM
CERTIFIED BY DNV
== ISO/TS 16949:2002 ==**

Microchip received ISO/TS-16949:2002 quality system certification for its worldwide headquarters, design and wafer fabrication facilities in Chandler and Tempe, Arizona and Mountain View, California in October 2003. The Company's quality system processes and procedures are for its PICmicro® 8-bit MCUs, KEELOQ® code hopping devices, Serial EEPROMs, microperipherals, nonvolatile memory and analog products. In addition, Microchip's quality system for the design and manufacture of development systems is ISO 9001:2000 certified.



WORLDWIDE SALES AND SERVICE

AMERICAS

Corporate Office

2355 West Chandler Blvd.
Chandler, AZ 85224-6199
Tel: 480-792-7200
Fax: 480-792-7277
Technical Support: 480-792-7627
Web Address: www.microchip.com

Atlanta

3780 Mansell Road, Suite 130
Alpharetta, GA 30022
Tel: 770-640-0034
Fax: 770-640-0307

Boston

2 Lan Drive, Suite 120
Westford, MA 01886
Tel: 978-692-3848
Fax: 978-692-3821

Chicago

333 Pierce Road, Suite 180
Itasca, IL 60143
Tel: 630-285-0071
Fax: 630-285-0075

Dallas

16200 Addison Road, Suite 255
Addison Plaza
Addison, TX 75001
Tel: 972-818-7423
Fax: 972-818-2924

Detroit

Tri-Atria Office Building
32255 Northwestern Highway, Suite 190
Farmington Hills, MI 48334
Tel: 248-538-2250
Fax: 248-538-2260

Kokomo

2767 S. Albright Road
Kokomo, IN 46902
Tel: 765-864-8360
Fax: 765-864-8387

Los Angeles

25950 Acero St., Suite 200
Mission Viejo, CA 92691
Tel: 949-462-9523
Fax: 949-462-9608

San Jose

1300 Terra Bella Avenue
Mountain View, CA 94043
Tel: 650-215-1444
Fax: 650-961-0286

Toronto

6285 Northam Drive, Suite 108
Mississauga, Ontario L4V 1X5, Canada
Tel: 905-673-0699
Fax: 905-673-6509

ASIA/PACIFIC

Australia

Microchip Technology Australia Pty Ltd
Unit 32 41 Rawson Street
Epping 2121, NSW
Sydney, Australia
Tel: 61-2-9868-6733
Fax: 61-2-9868-6755

China - Beijing

Unit 706B
Wan Tai Bei Hai Bldg.
No. 6 Chaoyangmen Bei Str.
Beijing, 100027, China
Tel: 86-10-85282100
Fax: 86-10-85282104

China - Chengdu

Rm. 2401-2402, 24th Floor,
Ming Xing Financial Tower
No. 88 TIDU Street
Chengdu 610016, China
Tel: 86-28-86766200
Fax: 86-28-86766599

China - Fuzhou

Unit 28F, World Trade Plaza
No. 71 Wusi Road
Fuzhou 350001, China
Tel: 86-591-7503506
Fax: 86-591-7503521

China - Hong Kong SAR

Unit 901-6, Tower 2, Metroplaza
223 Hing Fong Road
Kwai Fong, N.T., Hong Kong
Tel: 852-2401-1200
Fax: 852-2401-3431

China - Shanghai

Room 701, Bldg. B
Far East International Plaza
No. 317 Xian Xia Road
Shanghai, 200051
Tel: 86-21-6275-5700
Fax: 86-21-6275-5060

China - Shenzhen

Rm. 1812, 18/F, Building A, United Plaza
No. 5022 Binhe Road, Futian District
Shenzhen 518033, China
Tel: 86-755-82901380
Fax: 86-755-8295-1393

China - Shunde

Room 401, Hongjian Building, No. 2
Fengxiangnan Road, Ronggui Town, Shunde
District, Foshan City, Guangdong 528303, China
Tel: 86-757-28395507 Fax: 86-757-28395571

China - Qingdao

Rm. B505A, Fullhope Plaza,
No. 12 Hong Kong Central Rd.
Qingdao 266071, China
Tel: 86-532-5027355 Fax: 86-532-5027205

India

Divyasree Chambers
1 Floor, Wing A (A3/A4)
No. 11, O'Shaughnessey Road
Bangalore, 560 025, India
Tel: 91-80-22290061 Fax: 91-80-22290062

Japan

Yusen Shin Yokohama Building 10F
3-17-2, Shin Yokohama, Kohoku-ku,
Yokohama, Kanagawa, 222-0033, Japan
Tel: 81-45-471-6166 Fax: 81-45-471-6122

Korea

168-1, Youngbo Bldg. 3 Floor
Samsung-Dong, Kangnam-Ku
Seoul, Korea 135-882
Tel: 82-2-554-7200 Fax: 82-2-558-5932 or
82-2-558-5934

Singapore

200 Middle Road
#07-02 Prime Centre
Singapore, 188980
Tel: 65-6334-8870 Fax: 65-6334-8850

Taiwan

Kaohsiung Branch
30F - 1 No. 8
Min Chuan 2nd Road
Kaohsiung 806, Taiwan
Tel: 886-7-536-4816
Fax: 886-7-536-4817

Taiwan

Taiwan Branch
11F-3, No. 207
Tung Hua North Road
Taipei, 105, Taiwan
Tel: 886-2-2717-7175 Fax: 886-2-2545-0139

Taiwan

Taiwan Branch
13F-3, No. 295, Sec. 2, Kung Fu Road
Hsinchu City 300, Taiwan
Tel: 886-3-572-9526
Fax: 886-3-572-6459

EUROPE

Austria

Durisolstrasse 2
A-4600 Wels
Austria
Tel: 43-7242-2244-399
Fax: 43-7242-2244-393

Denmark

Regus Business Centre
Lautrup høj 1-3
Ballerup DK-2750 Denmark
Tel: 45-4420-9895 Fax: 45-4420-9910

France

Parc d'Activite du Moulin de Massy
43 Rue du Saule Trapu
Batiment A - 1er Etage
91300 Massy, France
Tel: 33-1-69-53-63-20
Fax: 33-1-69-30-90-79

Germany

Steinheilstrasse 10
D-85737 Ismaning, Germany
Tel: 49-89-627-144-0
Fax: 49-89-627-144-44

Italy

Via Salvatore Quasimodo, 12
20025 Legnano (MI)
Milan, Italy
Tel: 39-0331-742611
Fax: 39-0331-466781

Netherlands

Waegenburghtplein 4
NL-5152 JR, Drunen, Netherlands
Tel: 31-416-690399
Fax: 31-416-690340

United Kingdom

505 Eskdale Road
Winnersh Triangle
Wokingham
Berkshire, England RG41 5TU
Tel: 44-118-921-5869
Fax: 44-118-921-5820



LittleDiode supplies new, hard to find or obsolete electronic components and semiconductors all over the world.

With over two million different components listed you are sure to find the part you need.

Feel free to visit us today at our online store:

LittleDiode.com

Looking forward to providing you with the best possible service.