

# K4N28

These Photocouplers consist of a Gallium Arsenide Infrared Emitting Diode and a Silicon NPN Phototransistor in a 6-pin package.

### FEATURES

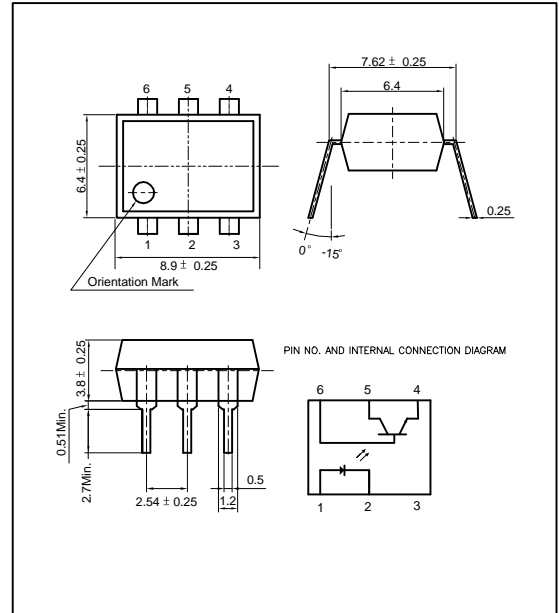
- Switching Time - Typ. 3 $\mu$ s
- Collector-Emitter Voltage : Min.30V
- Current Transfer Ratio : Typ.100% (at  $I_F=10\text{mA}$ ,  $V_{CE}=10\text{V}$ )
- Electrical Isolation Voltage : AC2500V<sub>rms</sub>
- UL Recognized File No. E107486

### APPLICATIONS

- Interface between two circuits of different potential
- Vending Machine, Voltage Regulator
- Traffic Controller System
- Programmable Controller

### DIMENSION

(Unit : mm)



### MAXIMUM RATINGS

( $T_a=25^\circ\text{C}$ )

Parameter		Symbol	Rating	Unit
Input	Forward Current	$I_F$	80	mA
	Reverse Voltage	$V_R$	5	V
	Peak Forward Current <sup>*1</sup>	$I_{FP}$	3	A
	Power Dissipation	$P_D$	150	mW
Output	Collector-Emitter Breakdown Voltage	$BV_{CEO}$	35 <sup>*4</sup>	V
	Emitter-Collector Breakdown Voltage	$BV_{ECO}$	6	V
	Collector-Base Breakdown Voltage	$BV_{ECO}$	70	V
	Collector Current	$I_C$	50	mA
	Collector Power Dissipation	$P_C$	150	mW
Input to Output Isolation Voltage <sup>*2</sup>		$V_{iso}$	AC2500	V <sub>rms</sub>
Storage Temperature		$T_{stg}$	-55~+125	
Operating Temperature		$T_{opr}$	-30~+100	
Lead Soldering Temperature <sup>*3</sup>		$T_{sol}$	260	
Total Power Dissipation		$P_{tot}$	200	mW

\*1. Input current with 100 $\mu$ s pulse width, 1% duty cycle

\*2. Measured at RH=40~60% for 1min

\*3. 1/16 inch form case for 10sec

\*4. Customer Option

# K4N28

**ELECTRO-OPTICAL CHARACTERISTICS**

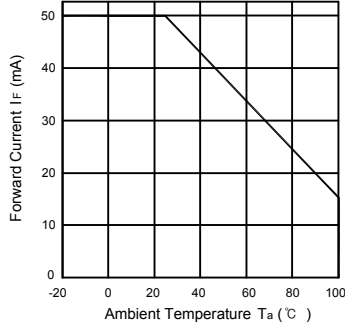
(Ta=25 , unless otherwise noted)

Parameter		Symbol	Condition	Min.	Typ.	Max.	Unit.
Input	Forward Voltage	V <sub>F</sub>	I <sub>F</sub> =10mA	-	1.15	1.30	V
	Reverse Current	I <sub>R</sub>	V <sub>R</sub> =5V	-	-	10	μA
	Capacitance	C <sub>T</sub>	V=0, f=1MHz	-	30	-	pF
Output	Collector-Emitter Breakdown Voltage	BV <sub>CEO</sub>	I <sub>C</sub> =1mA	35	-	-	V
	Emitter-Collector Breakdown Voltage	BV <sub>ECO</sub>	I <sub>E</sub> =0.1mA	6	-	-	V
	Collector-Base Breakdown Voltage	BV <sub>CBO</sub>	I <sub>C</sub> =0.1mA	70	-	-	V
	Collector Dark Current	I <sub>CEO</sub>	I <sub>F</sub> =0, V <sub>CE</sub> =10V	-	-	100	nA
	Capacitance	C <sub>CE</sub>	V <sub>CE</sub> =0, f=1MHz	-	10	-	pF
Coupled	Current Transfer Ratio <sup>*5</sup>	CTR	I <sub>F</sub> =10mA, V <sub>CE</sub> =10V	10	-	-	%
	Collector-Emitter Saturation Voltage	V <sub>CE(SAT)</sub>	I <sub>F</sub> =50mA, I <sub>C</sub> =1mA	-	0.15	0.4	V
	Input-Output Capacitance	C <sub>IO</sub>	V=0, f=1MHz	-	1	-	pF
	Input-Output Isolation Resistance	R <sub>IO</sub>	RH=40~60%, V=500V	-	10 <sup>11</sup>	-	
	Rise Time	t <sub>r</sub>	V <sub>CE</sub> =5V, R <sub>L</sub> =100	-	3	-	μs
	Fall Time	t <sub>f</sub>	I <sub>C</sub> =2mA	-	3	-	μs

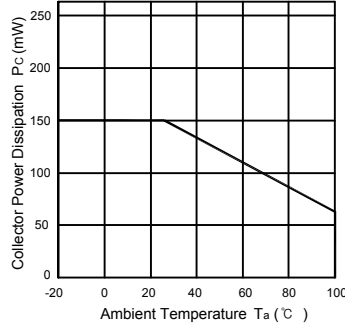
\*5. CTR=(I<sub>C</sub>/I<sub>F</sub>) X 100 (%)

**K4N28**

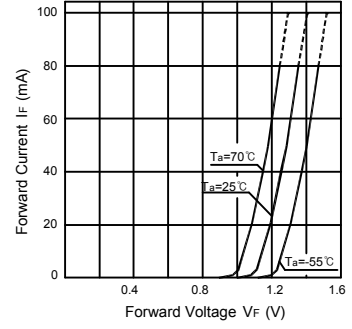
**Forward Current vs. Ambient Temperature**



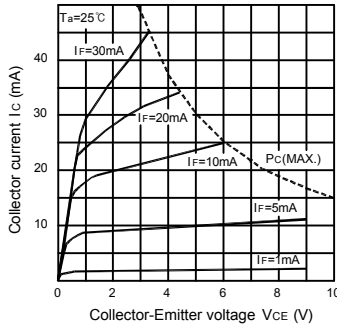
**Collector Power Dissipation vs. Ambient Temperature**



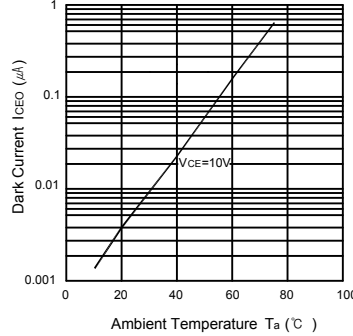
**Forward Current vs. Forward Voltage**



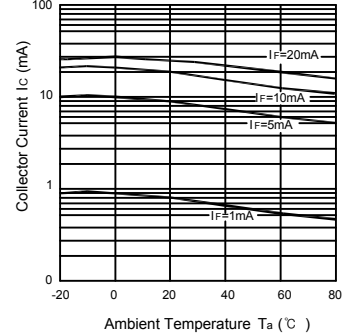
**Collector Current vs. Collector-Emitter Voltage**



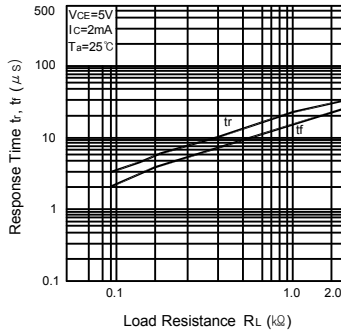
**Dark Current vs. Ambient Temperature**



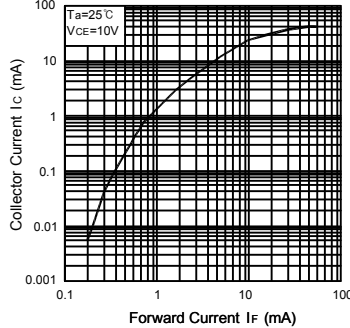
**Collector Current vs. Ambient Temperature**



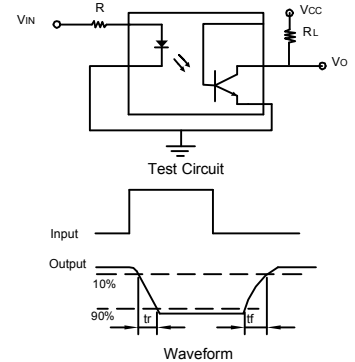
**Response Time vs. Load Resistance**



**Collector Current vs. Forward Current**



**Switching Time Test Circuit**



This datasheet has been downloaded from:

[www.DatasheetCatalog.com](http://www.DatasheetCatalog.com)

Datasheets for electronic components.



LittleDiode supplies new, hard to find or obsolete electronic components and semiconductors all over the world.

With over two million different components listed you are sure to find the part you need.

Feel free to visit us today at our online store:

[LittleDiode.com](http://LittleDiode.com)

Looking forward to providing you with the best possible service.