

SN54147, SN54148, SN54LS147, SN54LS148, SN74147, SN74148 (TIM9907), SN74LS147, SN74LS148 10-LINE TO 4-LINE AND 8-LINE TO 3-LINE PRIORITY ENCODERS

SDLS053 OCTOBER 1976 - REVISED MARCH 1988

'147, 'LS147

- Encodes 10-Line Decimal to 4-Line BCD
- Applications Include:

Keyboard Encoding
Range Selection: '148, 'LS148

- Encodes 8 Data Lines to 3-Line Binary (Octal)
- Applications Include:

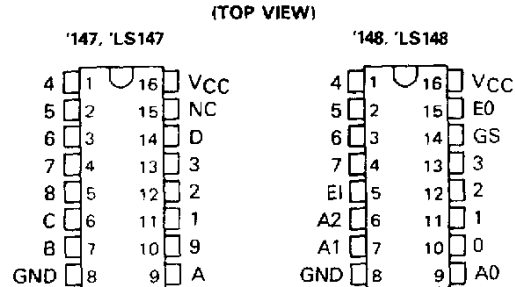
N-Bit Encoding
Code Converters and Generators

TYPE	TYPICAL	TYPICAL
	DATA DELAY	POWER DISSIPATION
'147	10 ns	225 mW
'148	10 ns	190 mW
'LS147	15 ns	60 mW
'LS148	15 ns	60 mW

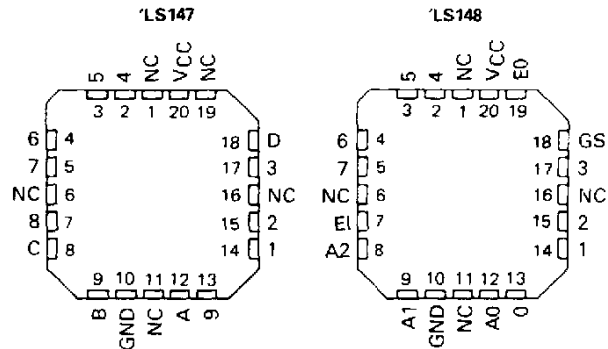
description

These TTL encoders feature priority decoding of the inputs to ensure that only the highest-order data line is encoded. The '147 and 'LS147 encode nine data lines to four-line (8-4-2-1) BCD. The implied decimal zero condition requires no input condition as zero is encoded when all nine data lines are at a high logic level. The '148 and 'LS148 encode eight data lines to three-line (4-2-1) binary (octal). Cascading circuitry (enable input Ei and enable output Eo) has been provided to allow octal expansion without the need for external circuitry. For all types, data inputs and outputs are active at the low logic level. All inputs are buffered to represent one normalized Series 54/74 or 54LS/74LS load, respectively.

SN54147, SN54LS147,
SN54148, SN54LS148 . . . J OR W PACKAGE
SN74147, SN74148 . . . N PACKAGE
SN74LS147, SN74LS148 . . . D OR N PACKAGE



SN54LS147, SN54LS148 . . . FK PACKAGE
(TOP VIEW)



NC - No internal connection

'147, 'LS147
FUNCTION TABLE

INPUTS									OUTPUTS			
1	2	3	4	5	6	7	8	9	D	C	B	A
H	H	H	H	H	H	H	H	H	H	H	H	H
X	X	X	X	X	X	X	X	L	L	H	H	L
X	X	X	X	X	X	X	L	H	L	H	H	H
X	X	X	X	X	X	L	H	H	H	L	L	L
X	X	X	X	L	H	H	H	H	H	L	H	L
X	X	X	L	H	H	H	H	H	H	L	H	H
X	X	L	H	H	H	H	H	H	H	H	L	L
X	L	H	H	H	H	H	H	H	H	H	L	H
L	H	H	H	H	H	H	H	H	H	H	L	L

H = high logic level, L = low logic level, X = irrelevant

'148, 'LS148
FUNCTION TABLE

INPUTS								OUTPUTS					
Ei	0	1	2	3	4	5	6	7	A2	A1	A0	GS	EO
H	X	X	X	X	X	X	X	X	H	H	H	H	H
L	H	H	H	H	H	H	H	H	H	H	H	H	L
L	X	X	X	X	X	X	X	L	L	L	L	L	H
L	X	X	X	X	X	L	H	H	L	L	H	L	H
L	X	X	X	X	L	H	H	H	L	H	L	L	H
L	X	X	X	L	H	H	H	H	H	L	L	L	H
L	X	X	L	H	H	H	H	H	H	L	H	L	H
L	X	L	H	H	H	H	H	H	H	H	L	L	H
L	L	H	H	H	H	H	H	H	H	H	H	L	H

PRODUCTION DATA documents contain information current as of publication date. Products conform to specifications per the terms of Texas Instruments standard warranty. Production processing does not necessarily include testing of all parameters.

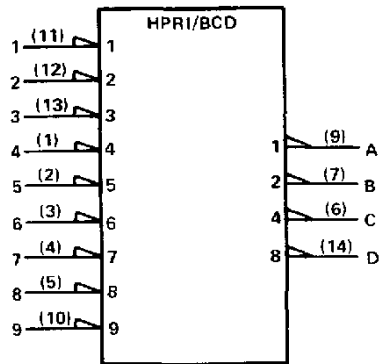
TEXAS INSTRUMENTS

POST OFFICE BOX 655012 • DALLAS, TEXAS 75265

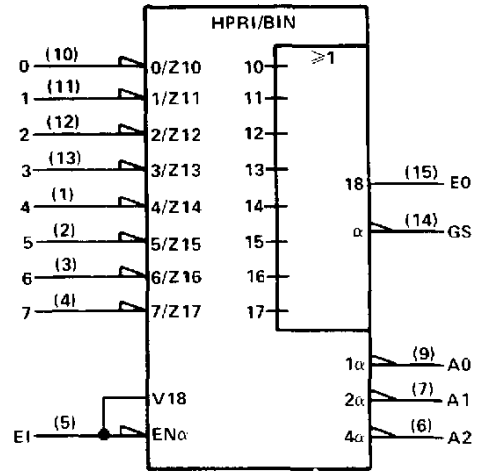
**SN54147, SN54148, SN54LS147, SN54LS148,
SN74147, SN74148 (TIM9907), SN74LS147, SN74LS148**
10-LINE TO 4-LINE AND 8-LINE TO 3-LINE PRIORITY ENCODERS

logic symbols†

'147, 'LS147



'148, 'LS148

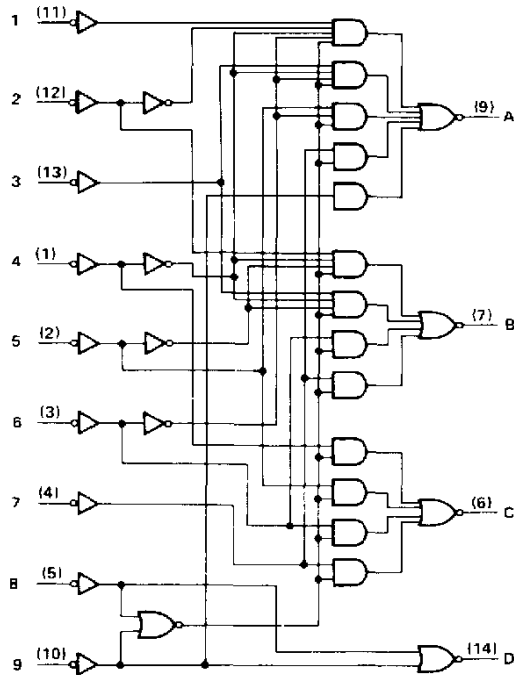


†These symbols are in accordance with ANSI/IEEE Std. 91-1984 and IEC Publication 617-12.

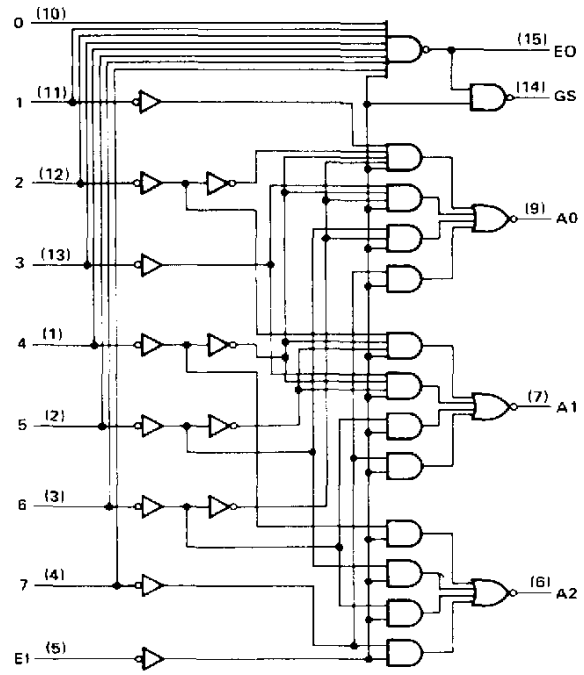
Pin numbers shown are for D, J, N, and W packages.

logic diagrams

'147, 'LS147



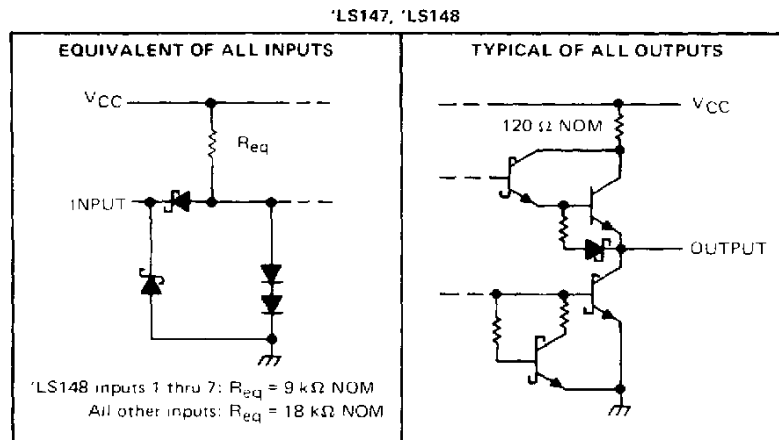
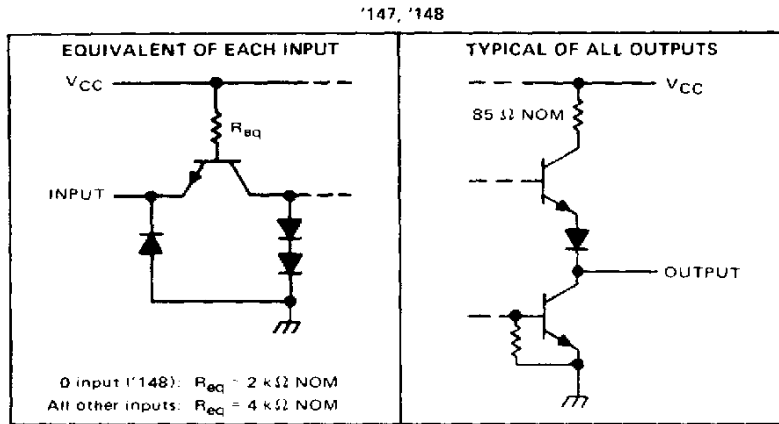
'148, 'LS148



Pin numbers shown are for D, J, N, and W packages.

**SN54147, SN54148, SN54LS147, SN54LS148,
SN74147, SN74148 (TIM9907), SN74LS147, SN74LS148
10-LINE TO 4-LINE AND 8-LINE TO 3-LINE PRIORITY ENCODERS**

schematics of inputs and outputs



absolute maximum ratings over operating free-air temperature range (unless otherwise noted)

Supply voltage, V_{CC} (see Note 1)	7 V
Input voltage: '147, '148	5.5 V
'LS147, 'LS148	7 V
Interemitter voltage: '148 only (see Note 2)	5.5 V
Operating free-air temperature range: SN54', SN54LS Circuits	-55°C to 125°C
SN74', SN74LS Circuits	0°C to 70°C
Storage temperature range	-65°C to 150°C

NOTES: 1. Voltage values, except interemitter voltage, are with respect to network ground terminal.
2. This is the voltage between two emitters of a multiple-emitter transistor. For '148 circuits, this rating applies between any two of the eight data lines, 0 through 7.

recommended operating conditions

	SN54'			SN74'			SN54LS'			SN74LS'			UNIT
	MIN	NOM	MAX	MIN	NOM	MAX	MIN	NOM	MAX	MIN	NOM	MAX	
Supply voltage, V_{CC}	4.5	5	5.5	4.75	5	5.25	4.5	5	5.5	4.75	5	5.25	V
High-level output current, I_{OH}			-800			-800			-400			-400	μ A
Low-level output current, I_{OL}			16			16			4			8	mA
Operating free-air temperature, T_A	-55		125	0		70	-55		125	0		70	C

SN54147, SN54148, SN74147, SN74148 (TIM9907)
10-LINE TO 4-LINE AND 8-LINE TO 3-LINE PRIORITY ENCODERS

electrical characteristics over recommended operating free-air temperature range (unless otherwise noted)

PARAMETER		TEST CONDITIONS†	'147		'148		UNIT
			MIN	TYP‡	MAX	MIN	
V _{IH}	High-level input voltage		2		2		V
V _{IL}	Low-level input voltage		0.8		0.8		V
V _{IK}	Input clamp voltage	V _{CC} = MIN, I _I = -12 mA	-1.5		-1.5		V
V _{OH}	High-level output voltage	V _{CC} = MIN, V _{IH} = 2 V, V _{IL} = 0.8 V, I _{OH} = -800 µA	2.4	3.3	2.4	3.3	V
V _{OL}	Low-level output voltage	V _{CC} = MIN, V _{IH} = 2 V, V _{IL} = 0.8 V, I _{OL} = 16 mA	0.2	0.4	0.2	0.4	V
I _I	Input current at maximum input voltage	V _{CC} = MAX, V _I = 5.5 V	1		1		mA
I _{IH}	High-level input current	0 input			40		µA
		Any input except 0	V _{CC} = MAX, V _I = 2.4 V		80		
I _{IL}	Low-level input current	0 input			-1.6		mA
		Any input except 0	V _{CC} = MAX, V _I = 0.4 V		-3.2		
I _{OS}	Short-circuit output current [§]	V _{CC} = MAX	-35	-85	-35	-85	mA
I _{CC}	Supply current	V _{CC} = MAX,	Condition 1		40		60
		See Note 3	Condition 2		35		

NOTE 3: For '147, I_{CC} (condition 1) is measured with input 7 grounded, other inputs and outputs open; I_{CC} (condition 2) is measured with all inputs and outputs open. For '148, I_{CC} (condition 1) is measured with inputs 7 and E1 grounded, other inputs and outputs open; I_{CC} (condition 2) is measured with all inputs and outputs open.

† For conditions shown as MIN or MAX, use the appropriate value specified under recommended operating conditions.

‡ All typical values are at V_{CC} = 5 V, T_A = 25 °C.

§ Not more than one output should be shorted at a time.

SN54147, SN74147 switching characteristics, V_{CC} = 5 V, T_A = 25 °C

PARAMETER [¶]	FROM (INPUT)	TO (OUTPUT)	WAVEFORM	TEST CONDITIONS	MIN	TYP	MAX	UNIT
t _{PLH}	Any	Any	In-phase output	C _L = 15 pF, R _L = 400 Ω, See Note 4	9		14	ns
t _{PHL}					7		11	
t _{PLH}	Any	Any	Out-of-phase output		13		19	ns
t _{PHL}					12		19	

SN54148, SN74148 switching characteristics, V_{CC} = 5 V, T_A = 25 °C

PARAMETER [¶]	FROM (INPUT)	TO (OUTPUT)	WAVEFORM	TEST CONDITIONS	MIN	TYP	MAX	UNIT
t _{PLH}	1 thru 7	A0, A1, or A2	In-phase output	C _L = 15 pF, R _L = 400 Ω, See Note 4	10		15	ns
t _{PHL}					9		14	
t _{PLH}	1 thru 7	A0, A1, or A2	Out-of-phase output		13		19	ns
t _{PHL}					12		19	
t _{PLH}	0 thru 7	EO	Out-of-phase output		6		10	ns
t _{PHL}					14		25	
t _{PLH}	0 thru 7	GS	In-phase output		18		30	ns
t _{PHL}					14		25	
t _{PLH}	E1	A0, A1, or A2	In-phase output		10		15	ns
t _{PHL}					10		15	
t _{PLH}	E1	GS	In-phase output		8		12	ns
t _{PHL}					10		15	
t _{PLH}	E1	EO	In-phase output		10		15	ns
t _{PHL}					17		30	

¶ t_{PLH} = propagation delay time, low-to-high-level output

t_{PHL} = propagation delay time, high-to-low-level output

NOTE 4: Load circuits and voltage waveforms are shown in Section 1.

SN54LS147, SN54LS148, SN74LS147, SN74LS148 10-LINE TO 4-LINE AND 8-LINE TO 3-LINE PRIORITY ENCODERS

electrical characteristics over recommended operating free-air temperature range (unless otherwise noted)

PARAMETER	TEST CONDITIONS†	SN54LS*		SN74LS*		UNIT	
		MIN	TYP‡ MAX	MIN	TYP‡ MAX		
V _{IH} High-level input voltage		2		2		V	
V _{IL} Low-level input voltage			0.7		0.8	V	
V _{IK} Input clamp voltage	V _{CC} = MIN, I _I = -18 mA		-1.5		-1.5	V	
V _{OH} High-level output voltage	V _{CC} = MIN, V _{IH} = 2 V, V _{IL} = 0.8 V, I _{OH} = -400 µA	2.5	3.4	2.7	3.4	V	
V _{OL} Low-level output voltage	V _{CC} = MIN, V _{IH} = 2 V, I _{OL} = 4 mA		0.25	0.4	0.25	0.4	V
	V _{IL} = V _{ILmax} , I _{OL} = 8 mA				0.35	0.5	
I _I Input current at maximum input voltage	'LS148 inputs 1 thru 7	V _{CC} = MAX, V _I = 7 V				mA	
	All other inputs			0.2	0.2		
I _{IH} High-level input current	'LS148 inputs 1 thru 7	V _{CC} = MAX, V _I = 2.7 V				µA	
	All other inputs			40	40		
I _{IL} Low-level input current	'LS148 inputs 1 thru 7	V _{CC} = MAX, V _I = 0.4 V				mA	
	All other inputs			-0.8	-0.8		
I _{OS} Short-circuit output current [§]	V _{CC} = MAX	-20	-100	-20	-100	mA	
I _{CC} Supply current	V _{CC} = MAX, Condition 1	12	20	12	20	mA	
	See Note 5, Condition 2	10	17	10	17		

NOTE 5: For 'LS147, I_{CC} (condition 1) is measured with input 7 grounded, other inputs and outputs open, I_{CC} (condition 2) is measured with all inputs and outputs open. For 'LS148, I_{CC} (condition 1) is measured with inputs 7 and E1 grounded, other inputs and outputs open, I_{CC} (condition 2) is measured with all inputs and outputs open.

† For conditions shown as MIN or MAX, use the appropriate value specified under recommended operating conditions.

‡ All typical values are at V_{CC} = 5 V, T_A = 25° C.

§ Not more than one output should be shorted at a time.

SN54LS147, SN74LS147 switching characteristics, V_{CC} = 5 V, T_A = 25° C

PARAMETER [¶]	FROM (INPUT)	TO (OUTPUT)	WAVEFORM	TEST CONDITIONS	MIN	TYP	MAX	UNIT
t _{PLH}	Any	Any	In-phase output	C _L = 15 pF, R _L = 2 kΩ, See Note 4	12	18	ns	
t _{PHL}					12	18		
t _{PLH}	Any	Any	Out-of-phase output		21	33	ns	
t _{PHL}					15	23		

SN54LS148, SN74LS148 switching characteristics, V_{CC} = 5 V, T_A = 25° C

PARAMETER [¶]	FROM (INPUT)	TO (OUTPUT)	WAVEFORM	TEST CONDITIONS	MIN	TYP	MAX	UNIT
t _{PLH}	1 thru 7	A0, A1, or A2	In-phase output	C _L = 15 pF, R _L = 2 kΩ, See Note 4	14	18	ns	
t _{PHL}					15	25		
t _{PLH}	1 thru 7	A0, A1, or A2	Out-of-phase output		20	36	ns	
t _{PHL}					16	29		
t _{PLH}	0 thru 7	EO	Out-of-phase output		7	18	ns	
t _{PHL}					25	40		
t _{PLH}	0 thru 7	GS	In-phase output		35	55	ns	
t _{PHL}					9	21		
t _{PLH}	E1	A0, A1, or A2	In-phase output		16	25	ns	
t _{PHL}					12	25		
t _{PLH}	E1	GS	In-phase output		12	17	ns	
t _{PHL}					14	36		
t _{PLH}	E1	EO	In-phase output		12	21	ns	
t _{PHL}					23	35		

¶ t_{PLH} = propagation delay time, low to high level output

t_{PHL} = propagation delay time, high to low level output

NOTE 4: Load circuits and voltage waveforms are shown in Section 1.

IMPORTANT NOTICE

Texas Instruments and its subsidiaries (TI) reserve the right to make changes to their products or to discontinue any product or service without notice, and advise customers to obtain the latest version of relevant information to verify, before placing orders, that information being relied on is current and complete. All products are sold subject to the terms and conditions of sale supplied at the time of order acknowledgement, including those pertaining to warranty, patent infringement, and limitation of liability.

TI warrants performance of its semiconductor products to the specifications applicable at the time of sale in accordance with TI's standard warranty. Testing and other quality control techniques are utilized to the extent TI deems necessary to support this warranty. Specific testing of all parameters of each device is not necessarily performed, except those mandated by government requirements.

CERTAIN APPLICATIONS USING SEMICONDUCTOR PRODUCTS MAY INVOLVE POTENTIAL RISKS OF DEATH, PERSONAL INJURY, OR SEVERE PROPERTY OR ENVIRONMENTAL DAMAGE ("CRITICAL APPLICATIONS"). TI SEMICONDUCTOR PRODUCTS ARE NOT DESIGNED, AUTHORIZED, OR WARRANTED TO BE SUITABLE FOR USE IN LIFE-SUPPORT DEVICES OR SYSTEMS OR OTHER CRITICAL APPLICATIONS. INCLUSION OF TI PRODUCTS IN SUCH APPLICATIONS IS UNDERSTOOD TO BE FULLY AT THE CUSTOMER'S RISK.

In order to minimize risks associated with the customer's applications, adequate design and operating safeguards must be provided by the customer to minimize inherent or procedural hazards.

TI assumes no liability for applications assistance or customer product design. TI does not warrant or represent that any license, either express or implied, is granted under any patent right, copyright, mask work right, or other intellectual property right of TI covering or relating to any combination, machine, or process in which such semiconductor products or services might be or are used. TI's publication of information regarding any third party's products or services does not constitute TI's approval, warranty or endorsement thereof.

This datasheet has been downloaded from:

www.DatasheetCatalog.com

Datasheets for electronic components.

Texas Instruments

<http://www.ti.com>

This file is the datasheet for the following electronic components:

74LS147 - <http://www.ti.com/product/74ls147?HQS=TI-null-null-dscatalog-df-pf-null-ww>
SN54LS148W - <http://www.ti.com/product/sn54ls148w?HQS=TI-null-null-dscatalog-df-pf-null-ww>
SN54LS148FK - <http://www.ti.com/product/sn54ls148fk?HQS=TI-null-null-dscatalog-df-pf-null-ww>
SN54LS147 - <http://www.ti.com/product/sn54ls147?HQS=TI-null-null-dscatalog-df-pf-null-ww>
SN54LS147FK - <http://www.ti.com/product/sn54ls147fk?HQS=TI-null-null-dscatalog-df-pf-null-ww>
SN54LS147J - <http://www.ti.com/product/sn54ls147j?HQS=TI-null-null-dscatalog-df-pf-null-ww>
SN74147N - <http://www.ti.com/product/sn74147n?HQS=TI-null-null-dscatalog-df-pf-null-ww>
SN54147J - <http://www.ti.com/product/sn54147j?HQS=TI-null-null-dscatalog-df-pf-null-ww>
SN54147W - <http://www.ti.com/product/sn54147w?HQS=TI-null-null-dscatalog-df-pf-null-ww>
SN54148J - <http://www.ti.com/product/sn54148j?HQS=TI-null-null-dscatalog-df-pf-null-ww>
74LS148 - <http://www.ti.com/product/74ls148?HQS=TI-null-null-dscatalog-df-pf-null-ww>
SN54148W - <http://www.ti.com/product/sn54148w?HQS=TI-null-null-dscatalog-df-pf-null-ww>
74148 - <http://www.ti.com/product/74148?HQS=TI-null-null-dscatalog-df-pf-null-ww>
SN74148 - <http://www.ti.com/product/sn74148?HQS=TI-null-null-dscatalog-df-pf-null-ww>
SN74148N - <http://www.ti.com/product/sn74148n?HQS=TI-null-null-dscatalog-df-pf-null-ww>
SNJ54148J - <http://www.ti.com/product/sn54148j?HQS=TI-null-null-dscatalog-df-pf-null-ww>
SN74147 - <http://www.ti.com/product/sn74147?HQS=TI-null-null-dscatalog-df-pf-null-ww>
SN54LS147W - <http://www.ti.com/product/sn54ls147w?HQS=TI-null-null-dscatalog-df-pf-null-ww>
SN74LS147 - <http://www.ti.com/product/sn74ls147?HQS=TI-null-null-dscatalog-df-pf-null-ww>
SN74LS147D - <http://www.ti.com/product/sn74ls147d?HQS=TI-null-null-dscatalog-df-pf-null-ww>
SN74LS147N - <http://www.ti.com/product/sn74ls147n?HQS=TI-null-null-dscatalog-df-pf-null-ww>



LittleDiode supplies new, hard to find or obsolete electronic components and semiconductors all over the world.

With over two million different components listed you are sure to find the part you need.

Feel free to visit us today at our online store:

LittleDiode.com

Looking forward to providing you with the best possible service.