

66005 16kV HIGH VOLTAGE ISOLATOR WITH PHOTOTRANSISTOR
or PHOTODARLINGTON OUTPUT, CERAMIC PACKAGE



Features:

- High Reliability
- Rugged package
- Stability over wide temperature
- +16kV electrical isolation

Applications:

- Grid current modulator
- Power Supply Feedback
- Switching between power supplies
- Patient station isolation

DESCRIPTION

In the **66005**, high voltage isolation is provided with a GaAlAs light emitting diode and by your choice of outputs, either silicon phototransistor or photodarlington, hermetically sealed in TO-46 packages and mounted in a high reliability, hermetically sealed, ceramic package. Available in commercial (0° to +70°C), extended temperature range (-40° to +85°C) and full Military temperature range (-55° to +125°C). **Contact the factory for special custom or multi-channel requirements!**

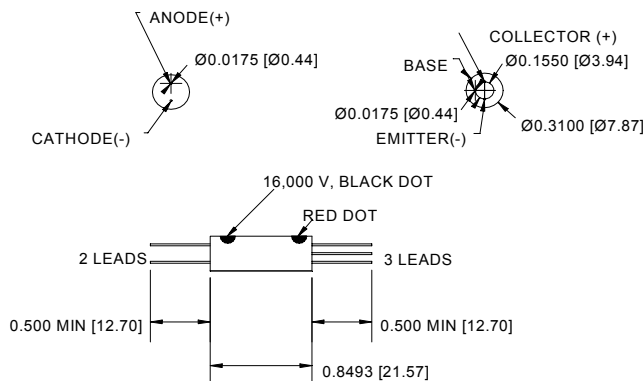
ABSOLUTE MAXIMUM RATINGS

Collector-Emitter Voltage (Value applies to emitter-base open-circuited & the input-diode equal to zero)	35V
Emitter-Collector Voltage.....	7V
Continuous Collector Current	50mA
Continuous Transistor Power Dissipation	(see Note 1) 250mW
Input to Output Isolation Voltage	16kV
Input Diode Continuous Forward Current at (or below) 65°C Free-Air Temperature	100mA
Reverse Input Voltage	2V
Continuous LED Power Dissipation	(see Note 1) 250mW
Storage Temperature.....	-65°C to +150°C
Operating Free-Air Temperature Range	-55°C to +125°C
Lead Solder Temperature (1/16" from case for 10 seconds max.).....	240°C

Notes:

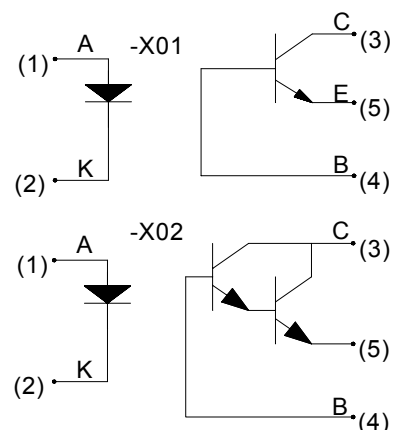
1. Derate linearly to 125°C free-air temperature at the rate of 2.45 mW/°C.

Package Dimensions



ALL DIMENSIONS ARE IN INCHES [MILLIMETERS] NOMINAL

Schematic Diagram



NOTE: BLACK DOT INDICATES ANODE FOR LED
RED DOT INDICATES COLLECTOR FOR TRANSISTOR.

ELECTRICAL CHARACTERISTICS

T_A = 25°C unless otherwise specified.

PARAMETER	SYMBOL	MIN	TYP	MAX	UNITS	TEST CONDITIONS
Input Diode Static Reverse Current 66005-X01 66005-X02	I _R			100	μA	V _R = 2V
Input Diode Static Forward Voltage 66005-X01 66005-X02	V _F		1.15	1.8	V	I _F = 20mA
Reverse Breakdown Voltage 66005-X01 66005-X02	B _V R	2	10		V	I _R = 100μA
Input Diode Capacitance 66005-X01 66005-X02	C _{IN}		25		pF	V = 0V, f = 1MHz

OUTPUT TRANSISTOR

T_A = 25°C unless otherwise specified.

PARAMETER	SYMBOL	MIN	TYP	MAX	UNITS	TEST CONDITIONS
Collector-Emitter Breakdown Voltage	V _{(BR)CEO}	35			V	I _C = 1mA, I _B = 0, I _F = 0
Collector-Emitter Dark Current	I _{CEO}			75 300	nA nA	V _{CE} = 10V, I _F = 0mA

COUPLED CHARACTERISTICS

T_A = 25°C unless otherwise specified.

PARAMETER	SYMBOL	MIN	TYP	MAX	UNITS	TEST CONDITIONS
Current Transfer Ratio 66005-X01 66005-X02	CTR	15 300			%	V _{CE} = 5V, I _F = 10mA
Collector-Emitter Saturation Voltage 66005-X01 66005-X02	V _{CE(SAT)}			0.5 1.2	V	I _F = 50mA, I _C = 1mA
DC Isolation Voltage 66005-X01 66005-X02	V _{ISO}	16 16			kV	
Rise Time 66005-X01 66005-X02	t _r		15 25		μs	V _{CC} = 5V, I _F = 16mA, R _L = 100Ω
Fall Time 66005-X01 66005-X02	t _f		15 25		μs	V _{CC} = 5V, I _F = 16mA, R _L = 100Ω

RECOMMENDED OPERATING CONDITIONS:

PARAMETER	SYMBOL	MIN	MAX	UNITS
Input Current, High Level	I _{FH}	16	50	mA
Supply Voltage	V _{CE}	5	10	V
Operating Temperature	T _A	-55	125	°C

SELECTION GUIDE

PART #	PART DESCRIPTION
66005-001	Transistor output, military operating range (-55° to +125°C)
66005-101	Transistor output, full mil-temp (-55° to +125°C) with 100% device screening (on discrete components)
66005-011	Transistor output, commercial version Isolator (0° to 70°C)
66005-002	Darlington output, military operating range (-55° to +125°C)
66005-102	Darlington output, full mil-temp (-55° to +125°C) with 100% device screening (on discrete components)
66005-012	Darlington output, commercial version Isolator (0° to 70°C)



LittleDiode supplies new, hard to find or obsolete electronic components and semiconductors all over the world.

With over two million different components listed you are sure to find the part you need.

Feel free to visit us today at our online store:

LittleDiode.com

Looking forward to providing you with the best possible service.