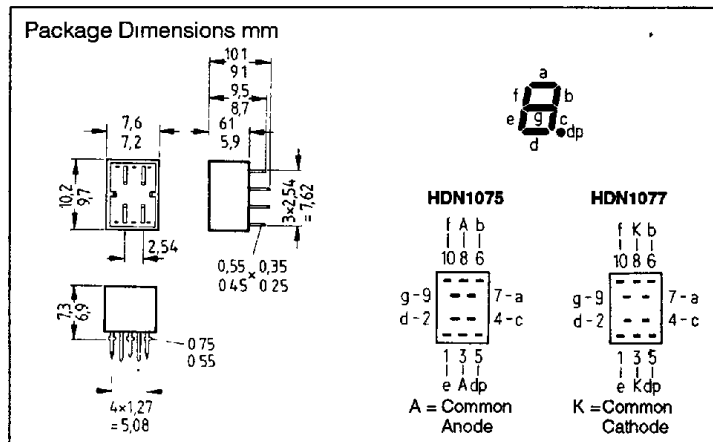
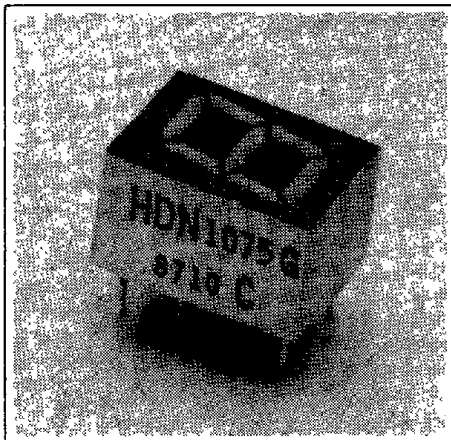


SIEMENS

SUPER-RED HDN1075/10770
GREEN HDN1075/1077G

0.28" (7 mm) SEVEN SEGMENT NUMERIC DISPLAY
LOW CURRENT

T-41-33



FEATURES

- Current Consumption 2 mA
- Direct Drive by CMOS Microprocessor, Gate and LSTTL Modules
- Space Saving
- Lower Assembly Costs
- No Display and LED Driver Modules
- Good Readability in Unfavorable Lighting Conditions
- Climate-Proof
- High Packing Density
- Grey Package for Optimal Contrast
- Long Service Life
- Shock and Vibration Resistant

DESCRIPTION

The HDN1075/1077 are one digit, seven segment, low current LED displays. The character height is 7 mm. The displays are available in super-red and green. Applications include state-of-the-art industrial and consumer electronics, especially where low current consumption is required, e.g. portable appliances and battery-operated appliances.

Maximum Ratings

Total Power Dissipation per Segment or Dot ¹⁾ (T _A =70°C) (P _{TOT})	20 mW
Operating and Storage Temperature Range (T _{OP} , T _{STG})	-40°C to +85°C
Forward Current per Segment or Dot ¹⁾ (I _F)	7.5 mA
Surge Current per Segment ¹⁾ (t _p ≤ 10 μs, D ≤ 0.005) (I _{PM})	150 mA
Reverse Voltage (V _R)	5 V
Thermal Resistance (R _{THMAX})	170 K/W
Junction Temperature (T _J)	100°C

Characteristics (T_A=25°C)

Parameter	Symbol	Super-Red	Green	Unit
Wavelength at Peak Emission (I _F =2 mA)	λ _{PEAK}	635	565	nm
Dominant Wavelength (I _F =2 mA)	λ _{DOM}	628	567	nm
Spectral Bandwidth @ 50% I _F (I _F =2 mA)	Δλ	45	25	nm
Forward Voltage (I _F =2 mA)	V _F	1.8 (≤2.6)	1.9 (≤2.6)	V
Reverse Current per Segment (V _R =5 V)	I _R	0.01 (≤10)	0.01 (≤10)	μA
Capacitance per Segment (V _R =0 V, f=1 MHz)	C ₀	3	15	pF
Switching Times (I _F =25 mA, t _p =1 μs)				
Rise Time from 10% to 90%	t _r	200	450	ns
Fall Time from 90% to 10%	t _f	150	200	ns
Luminous Intensity per Segment ²⁾ (I _F =2 mA)	I _v	600	600	μcd

Notes:

1. This value applies to an ambient temperature of T_A ≤ 70°C

2. Deviation of the absolute values within one digit $\frac{I_{v,MAX} - I_{v,MIN}}{I_{v,MIN}} \leq 2$

See graph numbers 1, 2, 3B, 4B, 5B, 6D, 9, 11A on pages 25 - 27



LittleDiode supplies new, hard to find or obsolete electronic components and semiconductors all over the world.

With over two million different components listed you are sure to find the part you need.

Feel free to visit us today at our online store:

LittleDiode.com

Looking forward to providing you with the best possible service.