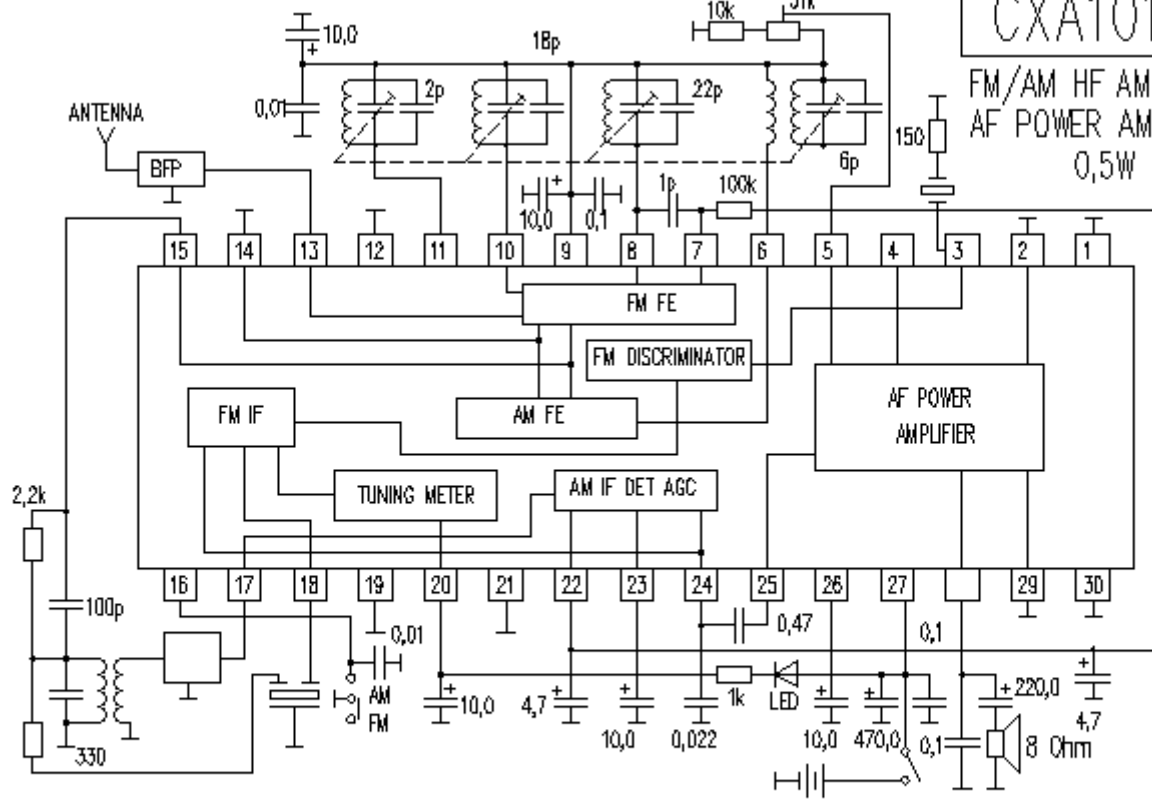


CXA1019S

FM/AM HF AMPLIFIER
AF POWER AMPLIFIER
0,5W



VCC MAX = 9V
VCC TYP = 6V
VCC RNG = 2...8,5V

ICCD TYP = 7mA
ICCD MAX = 14mA
IMAX = -

Po = 0,5W
RL = 8 Ohm
TDH = 10%

RIN = -
Gain = 31,5dB
Noise = -

RTH-c = -
Case SDIP30

This datasheet has been downloaded from:

www.DatasheetCatalog.com

Datasheets for electronic components.



LittleDiode supplies new, hard to find or obsolete electronic components and semiconductors all over the world.

With over two million different components listed you are sure to find the part you need.

Feel free to visit us today at our online store:

LittleDiode.com

Looking forward to providing you with the best possible service.