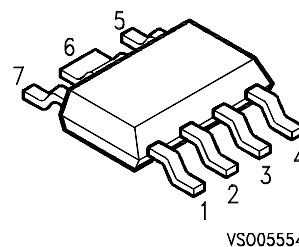


*Datasheet*

- \* Two stages monolithic microwave IC (MMIC-Amplifier)
- \* All gold metallisation
- \* Chip fully passivated
- \* Operating voltage range: 2.7 to 5 V
- \* 50  $\Omega$  input / output

ESD: **E**lectrostatic **d**ischarge sensitive device, observe handling precautions!



Type	Marking	Ordering code (taped)	Package 1)
CGY 52	CGY52	Q68000-A8615	MW-7

Maximum ratings	Symbol		Unit
Drain voltage	$V_D$	6	V
Channel temperature	$T_{Ch}$	150	$^{\circ}C$
Storage temperature range	$T_{stg}$	-55...+150	$^{\circ}C$
Total power dissipation ( $T_S \leq 55^{\circ}C$ ) <sup>2) 3)</sup>	$P_{tot}$	1000	mW
<b>Thermal resistance</b>			
Channel-soldering point (GND) <sup>2)</sup>	$R_{thChS}$	$\leq 95$	K/W
Junction-ambient <sup>4)</sup>	$R_{thJA}$	$< 175$	K/W

1) Dimensions see chapter Package Outlines

2)  $T_S$  is measured on the source 2 lead at the soldering point of the pcb.

3) Please care for sufficient heat dissipation on the pcb!

4) Package mounted on alumina 15mm x16.7 mm x0.7 mm

**Electrical characteristics**

$T_A = 25^\circ\text{C}$

$V_D = 4.5\text{ V}$

$R_S = R_L = 50\Omega$

unless otherwise specified

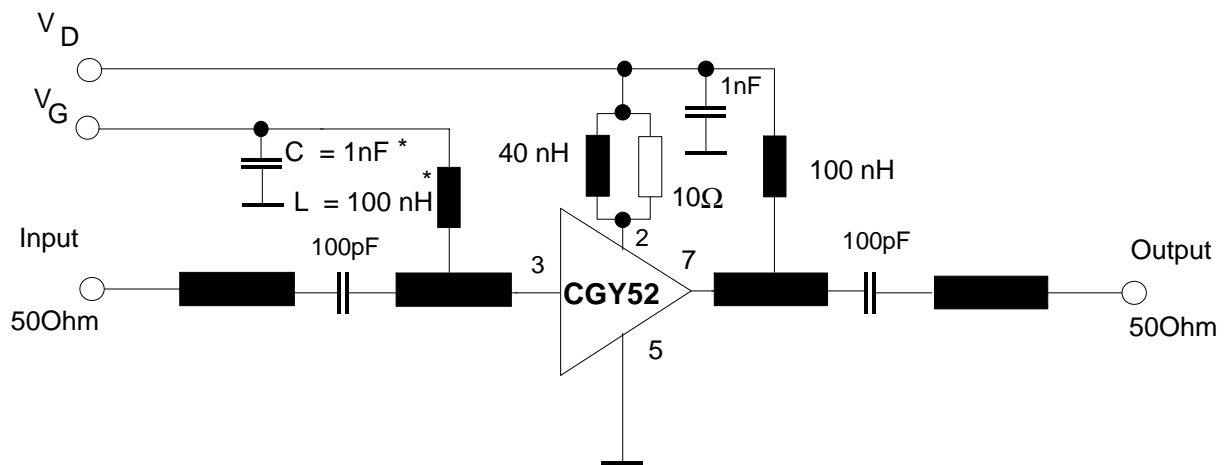
Characteristics	Symbol	min	typ	max	Unit			
Drain current	$I_D$	-	160	220	mA			
Power Gain	$G$	13	14	-	dB			
f = 200 MHz								
f = 900 MHz								
f = 1800 MHz								
Gain flatness	$\Delta G$	-	3	4	dB			
f = 200 MHz to 1800 MHz								
Noise figure	$F$	-	4.8	-	dB			
f = 900 MHz to 1800 MHz								
Input return loss	$RL_{in}$	6.5	7.5	-	dB			
f = 200 MHz to 300 MHz								
f = 300 MHz to 1800 MHz		7.5	8.5	-				
f = 200 MHz		-	7.5	-				
f = 900 MHz		-	12.5	-				
f = 1800 MHz		-	9	-				
Output return loss	$RL_{out}$	9.5	10.5	-	dB			
f = 200 MHz to 1800 MHz								
f = 200 MHz						-	10.5	-
f = 900 MHz						-	12.5	-
f = 1800 MHz	-	11.5	-					
Third order input intercept point two-tone intermodulation test f1 = 806 MHz, f2 = 810 MHz P <sub>in</sub> = 10 dBm (both carriers)	$IP_3$	-	32	-	dBm			
1dB gain compression f = 200 MHz to 1800 MHz	$P_{-1dB}$	-	19	-	dBm			

Typical S-Parameters

$V_D = 4.5 \text{ V}$ ,  $V_G = 0 \text{ V}$ ,  $Z_0 = 50\Omega$

f/GHz	S11		S21		S12		S22	
	MAG	ANG	MAG	ANG	MAG	ANG	MAG	ANG
0.1	0.63	-36	4.36	20	0.003	69.0	0.30	-12
0.3	0.36	-38	5.17	-13	0.006	54.0	0.27	-17
0.5	0.30	-35	5.27	-32	0.008	54.0	0.27	-24
0.7	0.26	-33	5.44	-51	0.009	61.0	0.26	-30
0.9	0.24	-29	5.64	-70	0.012	60.0	0.23	-35
1.1	0.22	-20	5.80	-90	0.015	64.0	0.19	-36
1.3	0.23	-10	5.81	-112	0.017	64.0	0.15	-25
1.5	0.26	0	5.59	-135	0.019	64.0	0.14	4
1.7	0.31	5	5.15	-157	0.021	61.0	0.19	24
1.9	0.37	5	4.54	-178	0.024	59.0	0.27	28
2.1	0.40	4	3.88	163	0.026	57.0	0.33	28
2.3	0.43	2	3.34	147	0.031	58.0	0.38	25
2.5	0.43	2	2.91	132	0.033	56.0	0.40	23

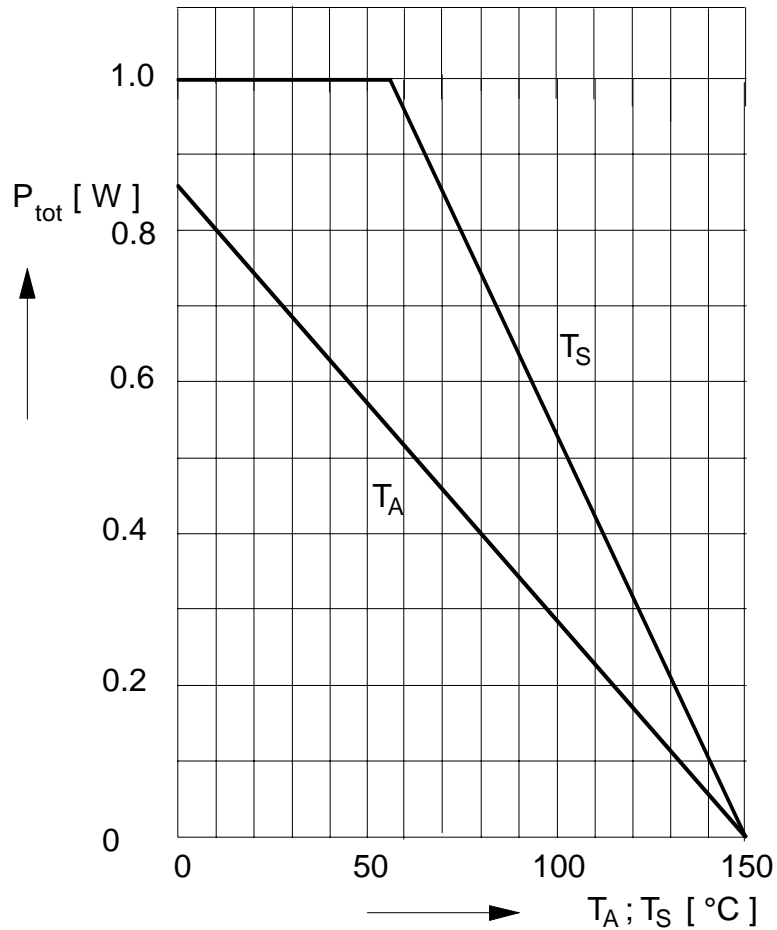
Application circuit for CGY52, f = 100 ... 1800 MHz



50 Ohm Microstripline

\*) L, C are optional, only needed when gain control via  $V_G$  is used

**Total Power Dissipation  $P_{tot} = f ( T_S; T_A )$**



**Terminal identification:**

1	n.c.
2	Interstage
3	IN
4	n.c.
5	GND (1)
6	GND (2)
7	OUT



LittleDiode supplies new, hard to find or obsolete electronic components and semiconductors all over the world.

With over two million different components listed you are sure to find the part you need.

Feel free to visit us today at our online store:

**[LittleDiode.com](http://LittleDiode.com)**

Looking forward to providing you with the best possible service.