

DATA SHEET

74ALVC164245

**16-bit dual supply translating transceiver
(3-State)**

Product specification
Supersedes data of 1995 Jul 01
IC24 Data Handbook

1998 Aug 26

16-bit dual supply translating transceiver (3-State)

74ALVC164245

FEATURES

- Wide supply voltage range
 - A port: 1.2 to 3.6V
 - B port: 1.2 to 5.5V
- Complies with JEDEC standard no. 8-1A
- Control inputs voltage range from 2.7V to 5.5V
- CMOS low power consumption
- Direct interface with TTL levels

DESCRIPTION

The 74ALVC164245 is a high-performance, low-power, low-voltage, Si-gate CMOS device, superior to most advanced CMOS compatible TTL families.

The 74ALVC164245 is a 16-bit (dual-octal) translating transceiver and is designed to interface between a 5V bus and 3V bus in a mixed 3V/5V supply environment. This device can be used as two 8-bit transceivers or one 16-bit transceiver. The direction control inputs (1DIR, 2DIR) determine the direction of the data flow. nDIR (active HIGH) enables data from nA ports to nB ports. nDIR (active LOW) enables data from nB ports to nA ports. The output enable inputs (1 \overline{OE} , 2 \overline{OE}), when HIGH, disable both nA and nB ports by placing them in a high impedance OFF-state. The nB ports interface with the 5V bus. The nA ports interface with the 3V bus. In suspend mode, when one of the supply voltages is zero, there will be no current flow from the non zero supply towards the zero supply. $V_{CC1} \geq V_{CC2}$ (except in suspend mode).

QUICK REFERENCE DATA

GND = 0V; $T_{amb} = 25^{\circ}\text{C}$; $t_r = t_f \leq 2.5\text{ns}$

SYMBOL	PARAMETER	CONDITIONS	TYPICAL	UNIT
t_{PHL}/t_{PLH}	Propagation delay nA to nB nB to nA	$C_L = 50\text{pF}$ $V_{CC1} = 5.0\text{V}$ $V_{CC2} = 3.3\text{V}$	3.7 3.1	ns
C_I	Input capacitance		5	pF
$C_{I/O}$	Input/output capacitance		10	pF
C_{PD}	Power dissipation capacitance	$V_I = \text{GND to } V_{CC}^1$	20	pF

NOTES:

- C_{PD} is used to determine the dynamic power dissipation (P_D in μW):
 $P_D = C_{PD} \times V_{CC}^2 \times f_i + \sum (C_L \times V_{CC}^2 \times f_o)$ where:
 f_i = input frequency in MHz; C_L = output load capacity in pF;
 f_o = output frequency in MHz; V_{CC} = supply voltage in V;
 $\sum (C_L \times V_{CC}^2 \times f_o)$ = sum of outputs.

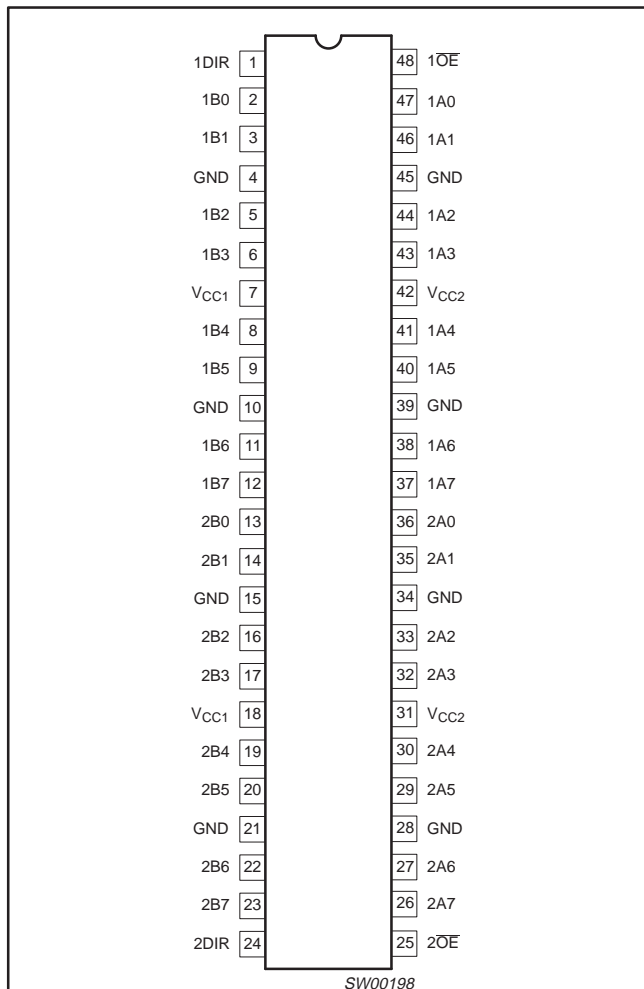
ORDERING INFORMATION

PACKAGES	TEMPERATURE RANGE	OUTSIDE NORTH AMERICA	NORTH AMERICA	DWG NUMBER
48-Pin Plastic SSOP Type III	$-40^{\circ}\text{C to } +85^{\circ}\text{C}$	74ALVC164245 DL	AC164245 DL	SOT370-1
48-Pin Plastic TSSOP Type II	$-40^{\circ}\text{C to } +85^{\circ}\text{C}$	74ALVC164245 DGG	AC164245 DGG	SOT362-1

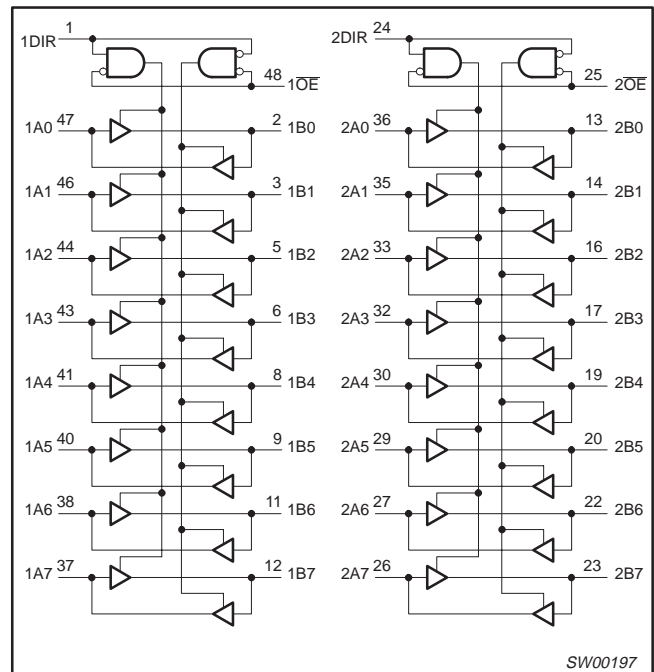
16-bit dual supply translating transceiver (3-State)

74ALVC164245

PIN CONFIGURATION



LOGIC SYMBOL



FUNCTION TABLE

INPUTS		OUTPUTS	
nOE	nDIR	nAn	nBn
L	L	A = B	inputs
L	H	inputs	B = A
H	X	Z	Z

H = HIGH voltage level
 L = LOW voltage level
 X = don't care
 Z = high impedance OFF-state

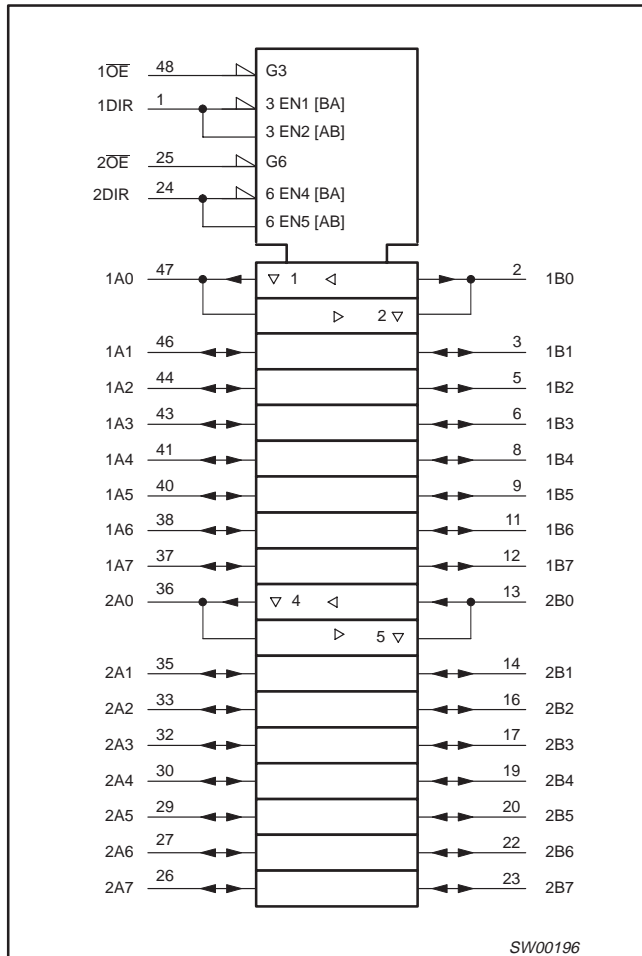
PIN DESCRIPTION

PIN NUMBER	SYMBOL	NAME AND FUNCTION
1	1DIR	Direction control
2, 3, 5, 6, 8, 9, 11, 12	1B0 to 1B7	Data inputs/outputs
4, 10, 15, 21, 28, 34, 39, 45	GND	GND
7, 18	V _{CC1}	Positive supply voltage (5V bus)
13, 14, 16, 17, 19, 20, 22, 23	2B0 to 2B7	Data inputs/outputs
24	2DIR	Direction control
25	2OE	Output enable input (active LOW)
26, 27, 29, 30, 32, 33, 35, 36	2A7 to 2A0	Data inputs/outputs
31, 42	V _{CC2}	Positive supply voltage (3V bus)
37, 38, 40, 41, 43, 44, 46, 47	1A7 to 1A0	Data inputs/outputs
48	1OE	Output enable input (active LOW)

16-bit dual supply translating transceiver (3-State)

74ALVC164245

LOGIC SYMBOL (IEEE/IEC)



16-bit dual supply translating transceiver (3-State)

74ALVC164245

ABSOLUTE MAXIMUM RATINGS^{1, 2}

In accordance with the Absolute Maximum Rating System (IEC 134)

Voltages are referenced to GND (ground = 0V)

SYMBOL	PARAMETER	CONDITIONS	RATING	UNIT
V_{CC1}	DC supply voltage (B Port)		-0.5 to +6.0	V
V_{CC2}	DC supply voltage (A Port)		-0.5 to +4.6	V
I_{IK}	DC input diode current	$V_I < 0$	-50	mA
V_I	DC input voltage	Note 3	-0.5 to +5.5	V
$V_{I/O}$	DC input voltage range for I/Os		-0.5 to $V_{CC} + 0.5$	V
I_{OK}	DC output diode current	$V_O > V_{CC}$ or $V_O < 0$	± 50	mA
V_O	DC output voltage	Note 3	-0.5 to $V_{CC} + 0.5$	V
I_O	DC output source or sink current	$V_O = 0$ to V_{CC}	± 50	mA
I_{GND}, I_{CC}	DC V_{CC} or GND current		± 100	mA
T_{stg}	Storage temperature range		-60 to +150	°C
P_{TOT}	Power dissipation per package –plastic medium-shrink SO (SSOP) –plastic mini-pack (TSSOP)	For temperature range: -40 to +125 °C above +55°C derate linearly with 11.3 mW/K above +55°C derate linearly with 8 mW/K	850 600	mW

NOTES:

- Stresses beyond those listed may cause permanent damage to the device. These are stress ratings only and functional operation of the device at these or any other conditions beyond those indicated under "recommended operating conditions" is not implied. Exposure to absolute-maximum-rated conditions for extended periods may affect device reliability.
- The performance capability of a high-performance integrated circuit in conjunction with its thermal environment can create junction temperatures which are detrimental to reliability. The maximum junction temperature of this integrated circuit should not exceed 150°C.
- The input and output voltage ratings may be exceeded if the input and output current ratings are observed.

RECOMMENDED OPERATING CONDITIONS

SYMBOL	PARAMETER	CONDITIONS	LIMITS		UNIT
			MIN	MAX	
V_{CC1}	DC supply voltage (for max. speed performance) (B Port)	$V_{CC1} \geq V_{CC2}$	2.7	5.5	V
V_{CC2}	DC supply voltage (for max. speed performance) (A Port)	$V_{CC1} \geq V_{CC2}$	2.7	3.6	V
V_{CC1}	DC supply voltage (for low-voltage applications) (B Port)	$V_{CC1} \geq V_{CC2}$	1.5	5.5	V
V_{CC2}	DC supply voltage (for low-voltage applications) (A Port)	$V_{CC1} \geq V_{CC2}$	1.5	3.6	V
V_I	DC Input voltage range		0	5.5	V
$V_{I/O}$	DC Input voltage range for I/Os	A Port	0	V_{CC2}	V
$V_{I/O}$	DC Output voltage range for I/Os	B Port	0	V_{CC1}	V
V_O	DC Output voltage range	A Port	0	V_{CC2}	V
V_O	DC Output voltage range	B Port	0	V_{CC1}	V
T_{amb}	Operating free-air temperature range		-40	+85	°C
t_r, t_f	Input rise and fall times	$V_{CC2} = 2.7$ to 3.0V $V_{CC2} = 3.0$ to 3.6V $V_{CC1} = 3.0$ to 4.5V $V_{CC1} = 4.5$ to 5.5V	0 0 0 0	20 10 20 10	ns/V

16-bit dual supply translating transceiver (3-State)

74ALVC164245

DC ELECTRICAL CHARACTERISTICS

SYMBOL	PARAMETER	TEST CONDITIONS	LIMITS			UNIT	
			Temp = -40°C to +85°C				
			MIN	TYP ¹	MAX		
V _{IH}	HIGH level Input voltage (B Port)	V _{CC} = 4.5 to 5.5V (Note 2)	2.0			V	
	HIGH level Input voltage (A Port)	V _{CC} = 2.7 to 3.6V (Note 2)	2.0				
V _{IL}	LOW level Input voltage (B Port)	V _{CC} = 4.5 to 5.5V (Note 2)			0.8	V	
	LOW level Input voltage (A Port)	V _{CC} = 2.7 to 3.6V (Note 2)			0.8		
V _{OH}	HIGH level output voltage (B Port)	V _{CC} = 4.5V; V _I = V _{IH} or V _{IL} ; I _O = -100μA	V _{CC} - 0.2	V _{CC}		V	
		V _{CC} = 4.5V; V _I = V _{IH} or V _{IL} ; I _O = -24mA	V _{CC} - 0.8				
		V _{CC} = 4.5V; V _I = V _{IH} or V _{IL} ; I _O = -12mA	V _{CC} - 0.5				
	HIGH level output voltage (A Port)	V _{CC} = 3.0V; V _I = V _{IH} or V _{IL} ; I _O = -100μA	V _{CC} - 0.2				
		V _{CC} = 3.0V; V _I = V _{IH} or V _{IL} ; I _O = -24mA	V _{CC} - 1.0				
		V _{CC} = 2.7V; V _I = V _{IH} or V _{IL} ; I _O = -12mA	V _{CC} - 0.6	V _{CC}			
V _{OL}	LOW level output voltage (B Port)	V _{CC} = 4.5V; V _I = V _{IH} or V _{IL} ; I _O = 100μA			0.20	V	
		V _{CC} = 4.5V; V _I = V _{IH} or V _{IL} ; I _O = 24mA			0.55		
		V _{CC} = 4.5V; V _I = V _{IH} or V _{IL} ; I _O = 12mA			0.40		
	LOW level output voltage (A Port)	V _{CC} = 3.0V; V _I = V _{IH} or V _{IL} ; I _O = 100μA			0.20		
		V _{CC} = 3.0V; V _I = V _{IH} or V _{IL} ; I _O = 24mA			0.55		
		V _{CC} = 2.7V; V _I = V _{IH} or V _{IL} ; I _O = 12mA			0.40		
I _I	Input leakage current	V _{CC} = 3.6V; V _I = 5.5V or GND	Control pins		±0.1	±5	μA
I _{IHZ} /I _{ILZ}	Input current for common I/O pins (B Port)	V _{CC} = 5.5V; V _I = V _{CC} or GND			±0.1	±15	μA
	Input current for common I/O pins (A Port)	V _{CC} = 3.6V; V _I = V _{CC} or GND			±0.1	±15	
I _{CC}	Quiescent supply current (B Port)	V _{CC} = 5.5V; V _I = V _{CC} or GND; I _O = 0			0.2	40	μA
	Quiescent supply current (A Port)	V _{CC} = 3.6V; V _I = V _{CC} or GND; I _O = 0			0.2	40	
ΔI _{CC}	Additional quiescent supply current per input pin (B Port)	V _{CC} = 4.5V to 5.5V; V _I = V _{CC} - 0.6V; I _O = 0			5	500	μA
	Additional quiescent supply current per control pin (A Port)	V _{CC} = 2.7V to 3.6V; V _I = V _{CC} - 0.6V; I _O = 0			5	500	

NOTES:

1. All typical values are at V_{CC1} = 5.0V, V_{CC2} = 3.3V and T_{amb} = 25°C.
2. If V_{CC2} < 2.7V, the switching levels at all inputs are not TTL compatible.

16-bit dual supply translating transceiver (3-State)

74ALVC164245

AC CHARACTERISTICS

GND = 0V; $t_R = t_F = 2.5\text{ns}$; $C_L = 50\text{pF}$; $R_L = 500\Omega$; $T_{\text{amb}} = -40^\circ\text{C}$ to $+85^\circ\text{C}$.

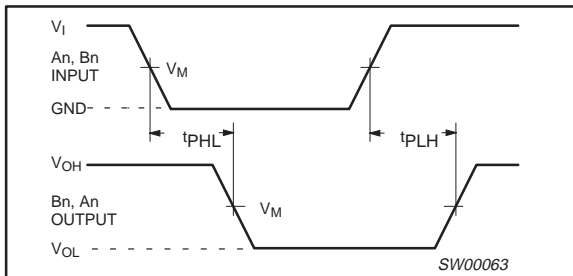
SYMBOL	PARAMETER	WAVEFORM	LIMITS				UNIT
			$V_{CC1} = 5.0\text{V} \pm 0.5\text{V}$ $V_{CC2} = 3.3\text{V} \pm 0.3\text{V}$		$V_{CC1} = 5.0\text{V} \pm 0.5\text{V}$ $V_{CC2} = 2.7\text{V}$		
			MIN	MAX	MIN	MAX	
t_{PHL} t_{PLH}	Propagation delay nAn to nBn	1	1	5.8		5.9	ns
t_{PHL} t_{PLH}	Propagation delay nBn to nAn	1	1.2	5.8		6.7	ns
t_{PZH} t_{PZL}	3-State output enable time nOE to nAn	2	1	8.9		9.3	ns
t_{PZH} t_{PZL}	3-State output enable time nOE to nBn	2	2.1	9.5		9.2	ns
t_{PHZ} t_{PLZ}	3-State output disable time nOE to nAn	2	2	9.1		10.2	ns
t_{PHZ} t_{PLZ}	3-State output disable time nOE to nBn	2	2.9	8.6		9	ns

NOTE:

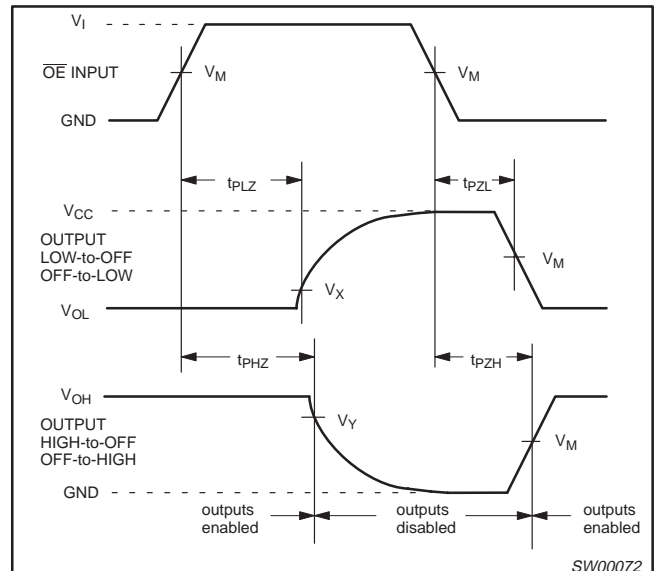
1. All typical values are at $V_{CC1} = 5.0\text{V}$, $V_{CC2} = 3.3\text{V}$ and $T_{\text{amb}} = 25^\circ\text{C}$.
2. All typical values are at $V_{CC1} = 5.0\text{V}$, $V_{CC2} = 2.7\text{V}$ and $T_{\text{amb}} = 25^\circ\text{C}$.

AC WAVEFORMS

$V_M = 1.5\text{V}$ at $V_{CC} \leq 3.6\text{V}$
 $V_M = 0.5 * V_{CC1}$ at $V_{CC1} \geq 4.5\text{V}$.
 $V_X = V_{OL} + 0.3\text{V}$ at $V_{CC} \leq 3.6\text{V}$
 $V_X = V_{OL} + 0.1 * (V_{OH} - V_{OL})$ at $V_{CC1} \geq 4.5\text{V}$
 $V_Y = V_{OH} - 0.3\text{V}$ at $V_{CC} \leq 3.6\text{V}$
 $V_Y = V_{OH} - 0.1 * (V_{OH} - V_{OL})$ at $V_{CC1} \geq 4.5\text{V}$
 V_{OL} and V_{OH} are the typical output voltage drops that occur with the output load.



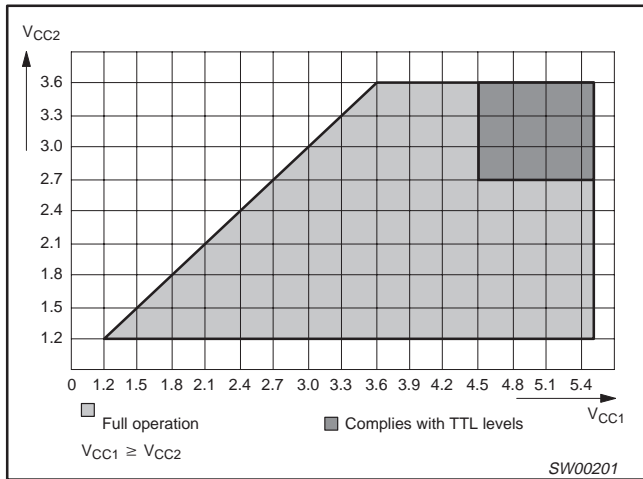
Waveform 1. Input (nAn, nBn) to output (nBn, nAn) propagation delays



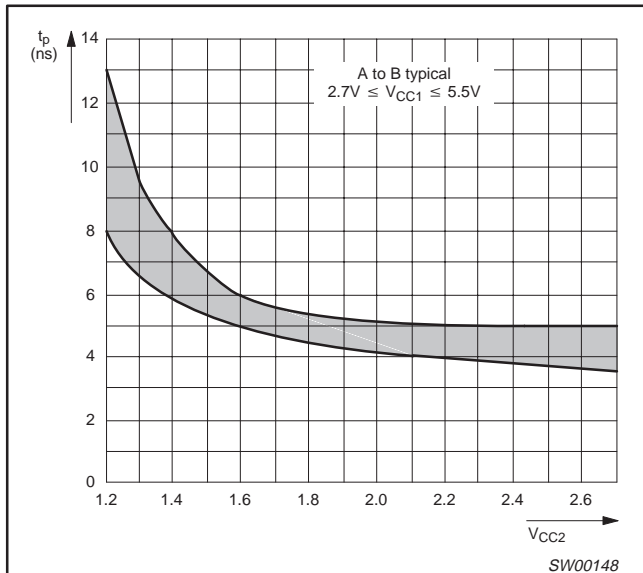
Waveform 2. 3-State enable and disable times

16-bit dual supply translating transceiver (3-State)

74ALVC164245



Waveform 3. Supply operating area



Waveform 4. Propagation delay as a function of the supply voltage, V_{CC2}

TEST CIRCUIT

Test Circuit for 3-State Outputs

SWITCH POSITION

TEST	SWITCH	V_{CC1}	V_{CC2}	V_I
t_{PLH}/t_{PHL}	Open	< 2.7V	< 2.7V	V_{CC}
t_{PLZ}/t_{PZL}	$2 * V_{CC}$	2.7 – 5.5V	2.7 – 3.6V	2.7V
t_{PHZ}/t_{PZH}	GND			

DEFINITIONS
 R_L = Load resistor
 C_L = Load capacitance includes jig and probe capacitance
 R_T = Termination resistance should be equal to Z_{OUT} of pulse generators.

SW00330

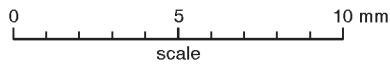
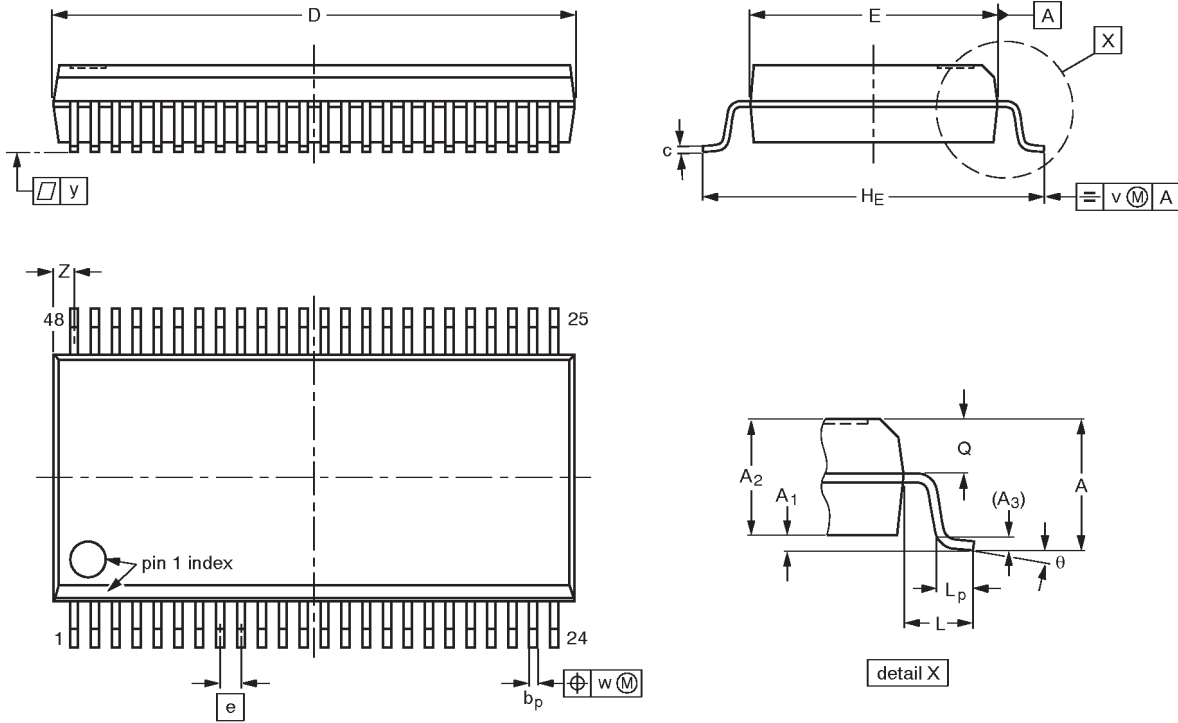
Waveform 5. Load circuitry for switching times

16-bit dual supply translating transceiver (3-State)

74ALVCH164245

SSOP48: plastic shrink small outline package; 48 leads; body width 7.5 mm

SOT370-1



DIMENSIONS (mm are the original dimensions)

UNIT	A max.	A ₁	A ₂	A ₃	b _p	c	D ⁽¹⁾	E ⁽¹⁾	e	H _E	L	L _p	Q	v	w	y	Z ⁽¹⁾	θ
mm	2.8	0.4 0.2	2.35 2.20	0.25	0.3 0.2	0.22 0.13	16.00 15.75	7.6 7.4	0.635	10.4 10.1	1.4	1.0 0.6	1.2 1.0	0.25	0.18	0.1	0.85 0.40	8° 0°

Note

1. Plastic or metal protrusions of 0.25 mm maximum per side are not included.

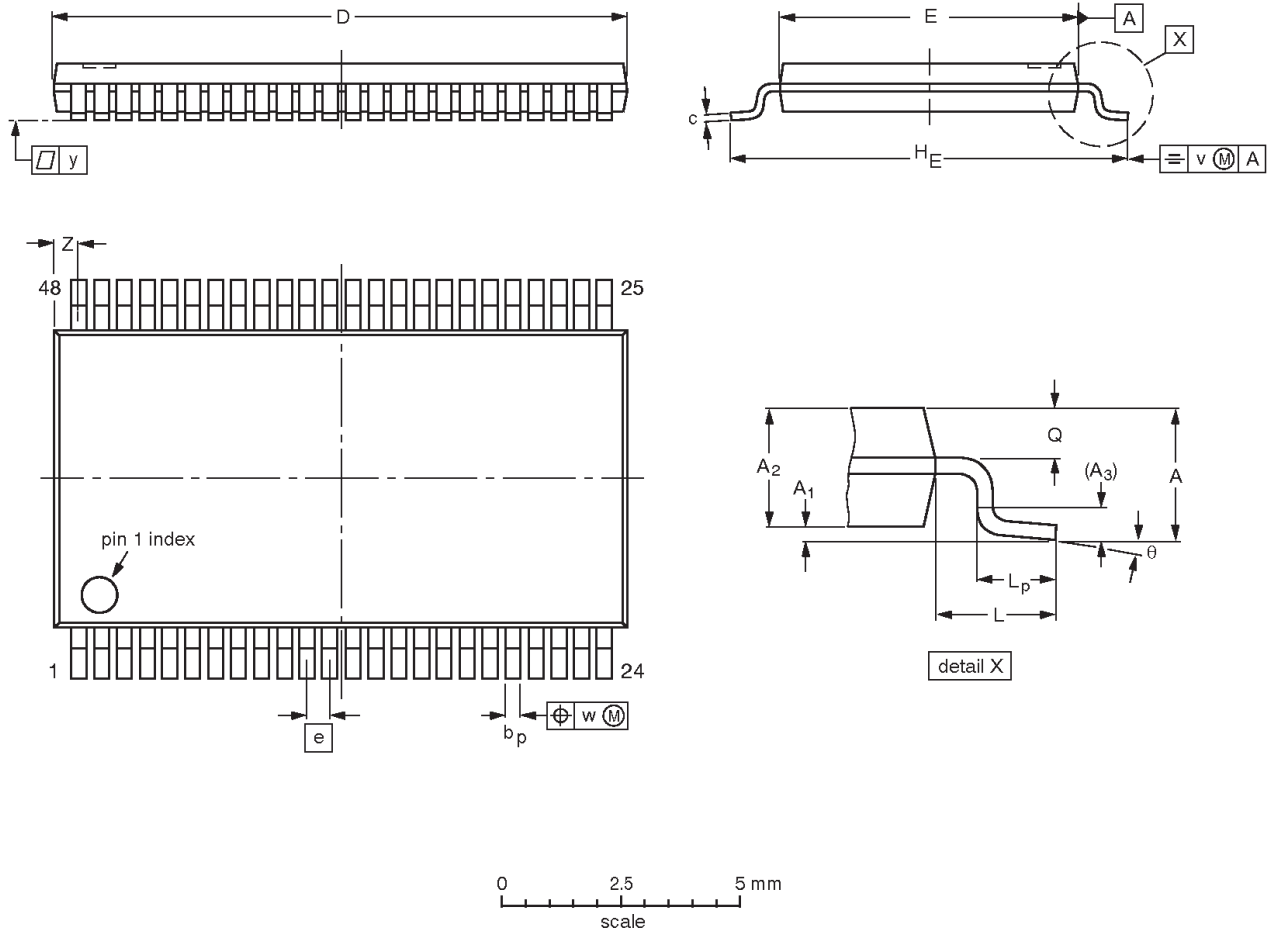
OUTLINE VERSION	REFERENCES				EUROPEAN PROJECTION	ISSUE DATE
	IEC	JEDEC	EIAJ			
SOT370-1		MO-118AA				93-11-02- 95-02-04

16-bit dual supply translating transceiver (3-State)

74ALVCH164245

TSSOP48: plastic thin shrink small outline package; 48 leads; body width 6.1mm

SOT362-1



DIMENSIONS (mm are the original dimensions).

UNIT	A max.	A ₁	A ₂	A ₃	b _p	c	D ⁽¹⁾	E ⁽²⁾	e	H _E	L	L _p	Q	v	w	y	Z	θ
mm	1.2	0.15 0.05	1.05 0.85	0.25	0.28 0.17	0.2 0.1	12.6 12.4	6.2 6.0	0.5	8.3 7.9	1	0.8 0.4	0.50 0.35	0.25	0.08	0.1	0.8 0.4	8° 0°

Notes

1. Plastic or metal protrusions of 0.15 mm maximum per side are not included.
2. Plastic interlead protrusions of 0.25 mm maximum per side are not included.

OUTLINE VERSION	REFERENCES				EUROPEAN PROJECTION	ISSUE DATE
	IEC	JEDEC	EIAJ			
SOT362-1		MO-153ED				93-02-03 95-02-10

16-bit dual supply translating transceiver (3-State)

74ALVCH164245

NOTES

16-bit dual supply translating transceiver (3-State)

74ALVCH164245

DEFINITIONS

Data Sheet Identification	Product Status	Definition
<i>Objective Specification</i>	Formative or in Design	This data sheet contains the design target or goal specifications for product development. Specifications may change in any manner without notice.
<i>Preliminary Specification</i>	Preproduction Product	This data sheet contains preliminary data, and supplementary data will be published at a later date. Philips Semiconductors reserves the right to make changes at any time without notice in order to improve design and supply the best possible product.
<i>Product Specification</i>	Full Production	This data sheet contains Final Specifications. Philips Semiconductors reserves the right to make changes at any time without notice, in order to improve design and supply the best possible product.

Philips Semiconductors and Philips Electronics North America Corporation reserve the right to make changes, without notice, in the products, including circuits, standard cells, and/or software, described or contained herein in order to improve design and/or performance. Philips Semiconductors assumes no responsibility or liability for the use of any of these products, conveys no license or title under any patent, copyright, or mask work right to these products, and makes no representations or warranties that these products are free from patent, copyright, or mask work right infringement, unless otherwise specified. Applications that are described herein for any of these products are for illustrative purposes only. Philips Semiconductors makes no representation or warranty that such applications will be suitable for the specified use without further testing or modification.

LIFE SUPPORT APPLICATIONS

Philips Semiconductors and Philips Electronics North America Corporation Products are not designed for use in life support appliances, devices, or systems where malfunction of a Philips Semiconductors and Philips Electronics North America Corporation Product can reasonably be expected to result in a personal injury. Philips Semiconductors and Philips Electronics North America Corporation customers using or selling Philips Semiconductors and Philips Electronics North America Corporation Products for use in such applications do so at their own risk and agree to fully indemnify Philips Semiconductors and Philips Electronics North America Corporation for any damages resulting from such improper use or sale.

Philips Semiconductors
811 East Arques Avenue
P.O. Box 3409
Sunnyvale, California 94088-3409
Telephone 800-234-7381

© Copyright Philips Electronics North America Corporation 1998
 All rights reserved. Printed in U.S.A.

Date of release: 08-98

Document order number:

9397-750-04564

Let's make things better.



LittleDiode supplies new, hard to find or obsolete electronic components and semiconductors all over the world.

With over two million different components listed you are sure to find the part you need.

Feel free to visit us today at our online store:

LittleDiode.com

Looking forward to providing you with the best possible service.