

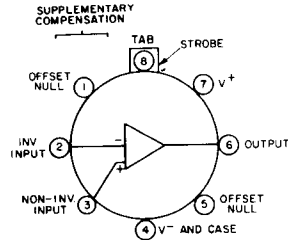
CA3160/..., CA3160A/...

1

High-Reliability BiMOS Operational Amplifiers

With MOSFET Input, CMOS Output

The CA3160 and CA3160A Slash (/) Series types are supplied in the 8-lead TO-5 style package.



92CS-27794

Functional diagram of the CA3160 Series.

TABLE A. POST BURN-IN, FINAL ELECTRICAL AND GROUP A SAMPLING TESTS

CHARACTERISTIC	SYMBOL	TEST CONDITIONS $V^+ = +15\text{ V}$, $V^- = 0\text{ V}$ Unless Otherwise Specified	LIMITS						UNITS
			MINIMUM			MAXIMUM			
			-55	+25	+125	-55	+25	+125	
Input Offset Voltage: CA3160 CA3160A	V_{IO}	$V^{\pm} = \pm 7.5\text{ V}$	-	-	-	40	25	40	mV
Input Offset Current: CA3160 CA3160A	I_{IO}	$V^{\pm} = \pm 7.5\text{ V}$	-	-	-	500	30	5000	pA
Input Current: CA3160 CA3160A	I_I	$V^{\pm} = \pm 7.5\text{ V}$	-	-	-	50	0.05	50	nA
Large Signal Voltage Gain: CA3160 CA3160A	A_{OL}	$V_O = 10\text{ V}_{p-p}$	86	94	86	-	-	-	dB
Common-Mode Rejection Ratio: CA3160 CA3160A	CMRR		64	70	64	-	-	-	dB
Common-Mode Input Voltage Range	V_{ICR}		0	0	0	10	10	10	V
Power Supply Rejection Ratio: CA3160 CA3160A	PSRR	$V^{\pm} = \pm 7.5\text{ V}$	-	-	-	400	320	400	$\mu\text{V/V}$
Maximum Output Voltage	V_{OM}^+ V_{OM}^-	$R_L = 2\text{ k}\Omega$	10	12	12	-	-	-	V
Maximum Output Voltage	V_{OM}^+ V_{OM}^-	$R_L = \infty$	14.95	14.99	14.95	-	-	-	V
Maximum Output Current	I_{OM}^+ I_{OM}^-	$V_O = 0\text{ V}$ $V_O = 15\text{ V}$	-	12	-	-	45	-	mA
Supply Current	I^+	$V_O = 7.5\text{ V}, R_L = \infty$ $V_O = 0\text{ V}, R_L = \infty$	-	-	-	-	15	-	mA

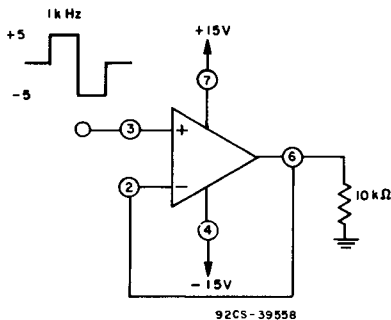
CA3160/..., CA3160A/...

TABLE B. DELTA LIMITS at $T_A = 25^\circ C$, $V^+ = +7.5 V$, $V^- = -7.5 V$ (/1 only)

CHARACTERISTIC	SYMBOL	LIMITS		UNITS
			MAX.Δ	
Input Offset Voltage	CA3160	V_{IO}	± 8	mV
	CA3160A		± 3	
Input Offset Current	CA3160	I_{IO}	± 15	pA
	CA3160A		± 8	
Input Current	CA3160	I_I	± 0.01	nA
	CA3160A		± 0.01	

TABLE C. GROUPS C AND D END-POINT TESTS at $T_A = 25^\circ C$

CHARACTERISTIC	SYMBOL	LIMITS		UNITS	
		MIN.	MAX.		
Input Offset Voltage	CA3160	V_{IO}	—	30	mV
	CA3160A		—	17	
Input Offset Current	CA3160	I_{IO}	—	30	pA
	CA3160A		—	20	
Input Current	CA3160	I_I	—	0.05	nA
	CA3160A		—	0.03	
Large Signal Voltage Gain	CA3160	AOL	91	—	dB
	CA3160A		91	—	



Burn-in and life test circuit.

This datasheet has been downloaded from:

www.DatasheetCatalog.com

Datasheets for electronic components.



LittleDiode supplies new, hard to find or obsolete electronic components and semiconductors all over the world.

With over two million different components listed you are sure to find the part you need.

Feel free to visit us today at our online store:

LittleDiode.com

Looking forward to providing you with the best possible service.