

DATA SHEET

74ALS112A

Dual J-K negative edge-triggered flip-flop

Product specification

1996 June 27

IC05 Data Handbook

Dual J-K negative edge-triggered flip-flop

74ALS112A

DESCRIPTION

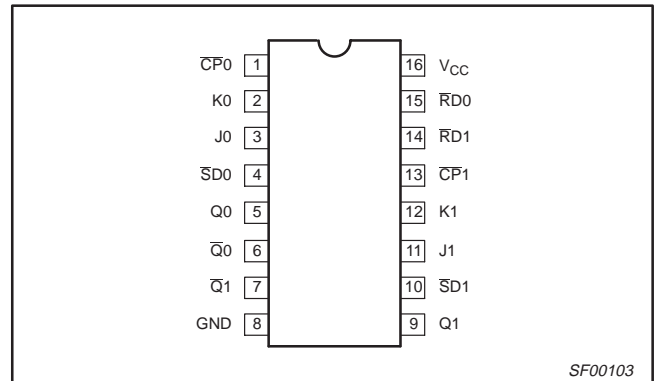
The 74ALS112A, dual negative edge-triggered JK-type flip-flop features individual J, K, clock (\overline{CP}_n), set (\overline{SD}), and reset (\overline{RD}) inputs, true (Q_n) and complementary (\overline{Q}_n) outputs.

The \overline{SD} and \overline{RD} inputs, when Low, set or reset the outputs as shown in the function table regardless of the level at the other inputs.

A High level on the clock (\overline{CP}_n) input enables the J and K inputs and data will be accepted. The logic levels at the J and K inputs may be allowed to change while the \overline{CP}_n is High and the flip-flop will perform according to the function table as long as minimum setup and hold times are observed. Output changes are initiated by the High-to-Low transition of the \overline{CP}_n .

TYPE	TYPICAL f_{MAX}	TYPICAL SUPPLY CURRENT (TOTAL)
74ALS112A	50MHz	3.0mA

PIN CONFIGURATION



ORDERING INFORMATION

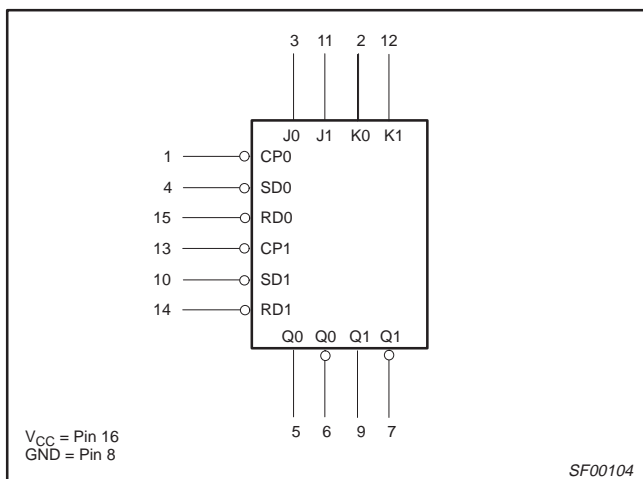
DESCRIPTION	ORDER CODE	DRAWING NUMBER
	COMMERCIAL RANGE $V_{CC} = 5V \pm 10\%$, $T_{amb} = 0^\circ C \text{ to } +70^\circ C$	
16-pin plastic DIP	74ALS112AN	SOT38-4
16-pin plastic SO	74ALS112AD	SOT109-1

INPUT AND OUTPUT LOADING AND FAN-OUT TABLE

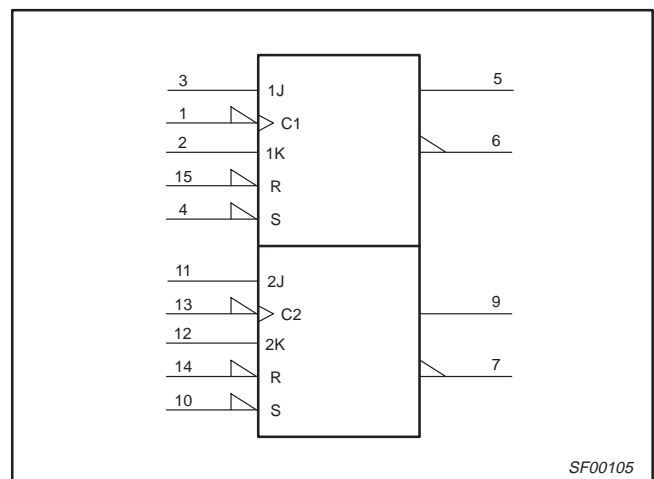
PINS	DESCRIPTION	74ALS (U.L.) HIGH/LOW	LOAD VALUE HIGH/LOW
$\overline{CP}_0, \overline{CP}_1$	Clock Pulse input (active falling edge)	1.0/1.0	20 μ A/0.1mA
J0, J1	J inputs	1.0/2.0	20 μ A/0.2mA
K0, K1	K inputs	1.0/2.0	20 μ A/0.2mA
$\overline{SD}_0, \overline{SD}_1$	Set inputs (active-Low)	1.0/2.0	20 μ A/0.2mA
$\overline{RD}_0, \overline{RD}_1$	Reset inputs (active-Low)	1.0/2.0	20 μ A/0.2mA
Q0, Q1, $\overline{Q}_0, \overline{Q}_1$	Data outputs	20/80	0.4mA/8mA

NOTE: One (1.0) ALS unit load is defined as: 20 μ A in the High state and 0.1mA in the Low state.

LOGIC SYMBOL



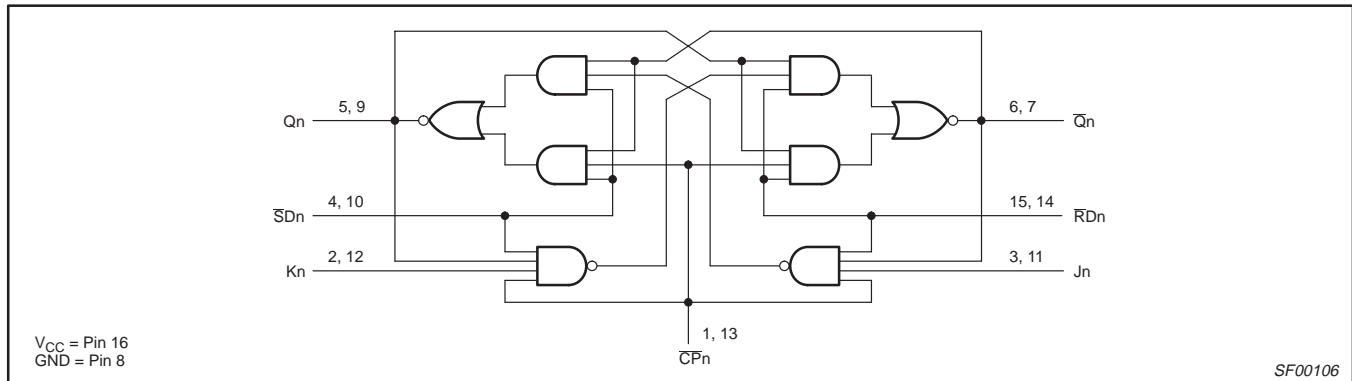
IEC/IEEE SYMBOL



Dual J-K negative edge-triggered flip-flop

74ALS112A

LOGIC DIAGRAM



FUNCTION TABLE

INPUTS					OUTPUTS		OPERATING MODE
SD	RD	CP	J	K	Q	Q̄	
L	H	X	X	X	H	L	Asynchronous Set
H	L	X	X	X	L	H	Asynchronous Reset
L	L	X	X	X	H*	H*	Undetermined *
H	H	↓	h	h	q̄	q	Toggle
H	H	↓	h	l	H	L	Load "1" (Set)
H	H	↓	l	h	L	H	Load "0" (Reset)
H	H	↓	l	l	q	q̄	Hold "no change"
H	H	H	X	X	q	q̄	Hold "no change"

H = High voltage level

h = High state must be present one setup time prior to High-to-Low clock transition

L = Low voltage level

l = Low state must be present one setup time prior to High-to-Low clock transition

q = Lower case indicate the state of the referenced output prior to the High-to-Low clock transition

X = Don't care

↓ = High-to-Low clock transition

* = Both outputs will be High while both SD and RD are Low, but the output states are unpredictable if SD and RD go High simultaneously

Asynchronous inputs: Low input to SD sets Q to High level, Low input to RD sets Q to Low level. Set and reset are independent of clock.

Simultaneous Low on both SD and RD makes both Q and Q̄ High.

Dual J-K negative edge-triggered flip-flop

74ALS112A

ABSOLUTE MAXIMUM RATINGS

(Operation beyond the limit set forth in this table may impair the useful life of the device.
Unless otherwise noted these limits are over the operating free-air temperature range.)

SYMBOL	PARAMETER	RATING	UNIT
V _{CC}	Supply voltage	-0.5 to +7.0	V
V _{IN}	Input voltage	-0.5 to +7.0	V
I _{IN}	Input current	-30 to +5	mA
V _{OUT}	Voltage applied to output in High output state	-0.5 to V _{CC}	V
I _{OUT}	Current applied to output in Low output state	16	mA
T _{amb}	Operating free-air temperature range	0 to +70	°C
T _{stg}	Storage temperature range	-65 to +150	°C

RECOMMENDED OPERATING CONDITIONS

SYMBOL	PARAMETER	LIMITS			UNIT
		MIN	NOM	MAX	
V _{CC}	Supply voltage	4.5	5.0	5.5	V
V _{IH}	High-level input voltage	2.0			V
V _{IL}	Low-level input voltage			0.8	V
I _{IK}	Input clamp current			-18	mA
I _{OH}	High-level output current			-0.4	mA
I _{OL}	Low-level output current			8	mA
T _{amb}	Operating free-air temperature range	0		+70	°C

DC ELECTRICAL CHARACTERISTICS

(Over recommended operating free-air temperature range unless otherwise noted.)

SYMBOL	PARAMETER	TEST CONDITIONS ¹	LIMITS			UNIT
			MIN	TYP ²	MAX	
V _{OH}	High-level output voltage	V _{CC} = ±10%, V _{IL} = MAX, V _{IH} = MIN I _{OH} = -0.4mA	V _{CC} - 2			V
V _{OL}	Low-level output voltage	V _{CC} = MIN, V _{IL} = MAX, V _{IH} = MIN		0.25	0.40	V
		I _{OL} = 4mA I _{OL} = 8mA		0.35	0.50	V
V _{IK}	Input clamp voltage	V _{CC} = MIN, I _I = I _{IK}		-0.73	-1.5	V
I _I	Input current at maximum input voltage	V _{CC} = MAX, V _I = 7.0V			0.1	mA
I _{IH}	High-level input current	V _{CC} = MAX, V _I = 2.7V			20	μA
I _{IL}	Low-level input current	CPn			-0.1	mA
		SDn, RDn, Jn, Kn	V _{CC} = MAX, V _I = 0.4V			-0.2
I _O	Output current ³	V _{CC} = MAX, V _O = 2.25V	-30		-112	mA
I _{CC}	Supply current (total)	V _{CC} = MAX		2.5	4.5	mA

NOTES:

- For conditions shown as MIN or MAX, use the appropriate value specified under recommended operating conditions for the applicable type.
- All typical values are at V_{CC} = 5V, T_{amb} = 25°C.
- The output conditions have been chosen to produce a current that closely approximates one half of the true short-circuit output current, I_{OS}.

Dual J-K negative edge-triggered flip-flop

74ALS112A

AC ELECTRICAL CHARACTERISTICS

SYMBOL	PARAMETER	TEST CONDITION	LIMITS		UNIT
			$T_{amb} = 0^{\circ}\text{C to } +70^{\circ}\text{C}$ $V_{CC} = +5.0\text{V} \pm 10\%$ $C_L = 50\text{pF}, R_L = 500\Omega$		
			MIN	MAX	
f_{MAX}	Maximum clock frequency	Waveform 1	35		MHz
t_{PLH} t_{PHL}	Propagation delay \overline{CPn} to Qn or \overline{Qn}	Waveform 1	2.0 4.0	10.0 10.5	ns
t_{PLH} t_{PHL}	Propagation delay \overline{SDn} or \overline{RD} to Qn or \overline{Qn}	Waveform 2, 3	1.5 3.5	8.0 9.5	ns

AC SETUP REQUIREMENTS

SYMBOL	PARAMETER	TEST CONDITION	LIMITS		UNIT
			$T_{amb} = 0^{\circ}\text{C to } +70^{\circ}\text{C}$ $V_{CC} = +5.0\text{V} \pm 10\%$ $C_L = 50\text{pF}, R_L = 500\Omega$		
			MIN	MAX	
$t_{su} (H)$ $t_{su} (L)$	Setup time, High or Low Jn, Kn to \overline{CPn}	Waveform 1	8.0 8.0		ns
$t_h (H)$ $t_h (L)$	Hold time, High or Low Jn, Kn to \overline{CPn}	Waveform 1	0.0 0.0		ns
$t_w (H)$ $t_w (L)$	\overline{CPn} Pulse width high or Low	Waveform 1	11.0 8.0		ns
$t_w (L)$	\overline{SDn} or \overline{RDn} Pulse width Low	Waveform 2, 3	6.0		ns
t_{REC}	Recovery time, \overline{SDn} or \overline{RDn} to \overline{CPn}	Waveform 2, 3	8.0		ns

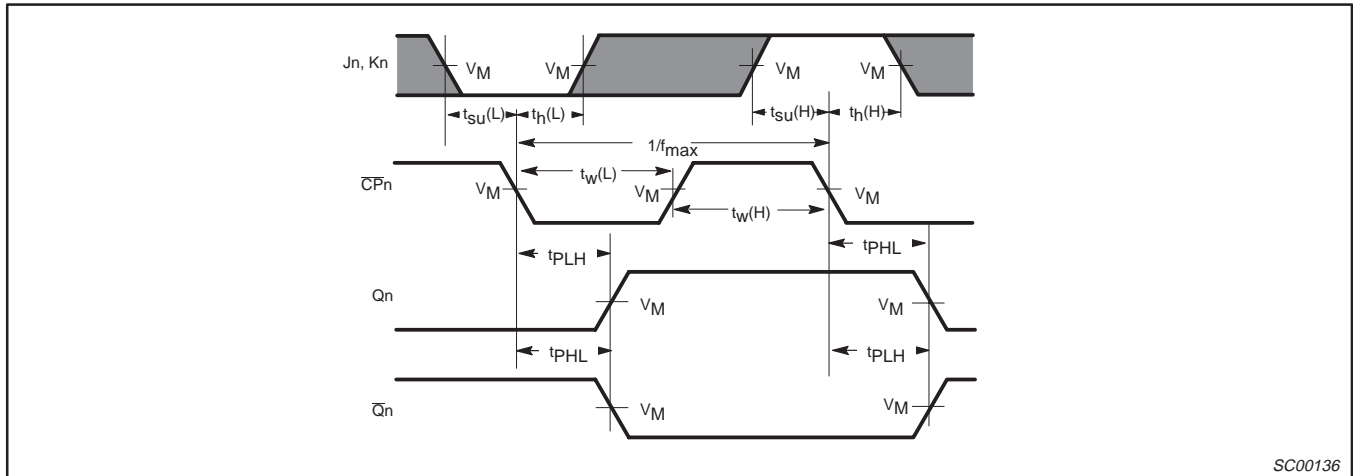
Dual J-K negative edge-triggered flip-flop

74ALS112A

AC WAVEFORMS

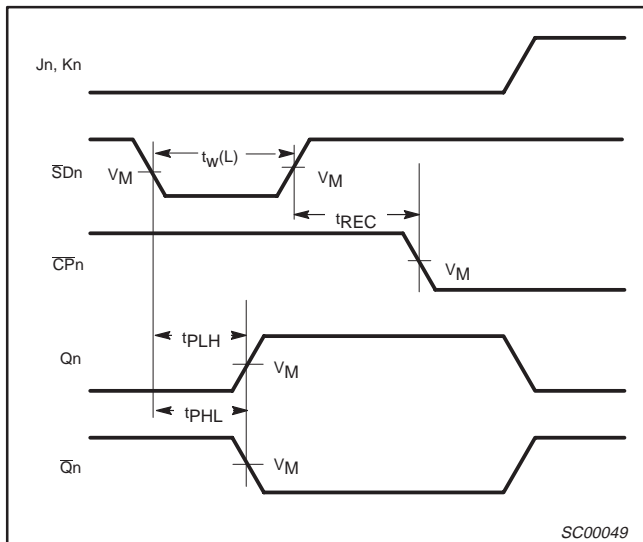
For all waveforms, $V_M = 1.3V$.

The shaded areas indicate when the input is permitted to change for predictable output performance.



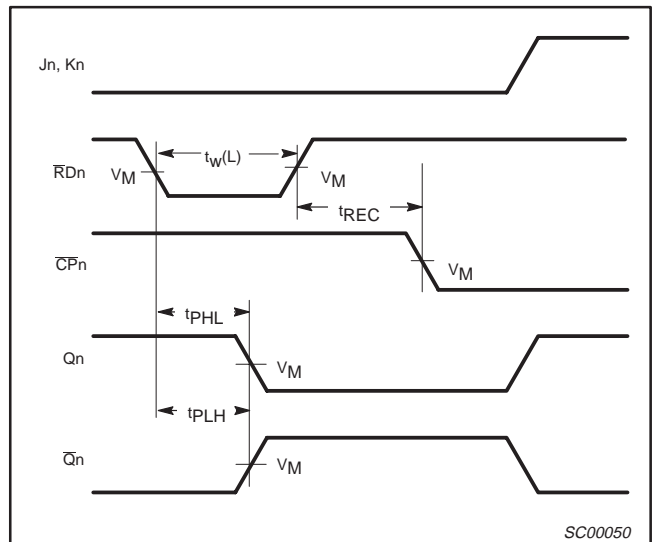
SC00136

Waveform 1. Propagation Delay for Data to Output, Data Setup Time and Hold Times, Clock Pulse Width, and Maximum Clock Frequency



SC00049

Waveform 2. Propagation Delay for Set to Output, Set Pulse Width, and Recovery Time for Set to Clock



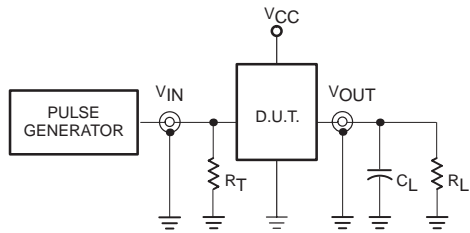
SC00050

Waveform 3. Propagation Delay for Reset to Output, Reset Pulse Width, and Recovery Time for Reset to Clock

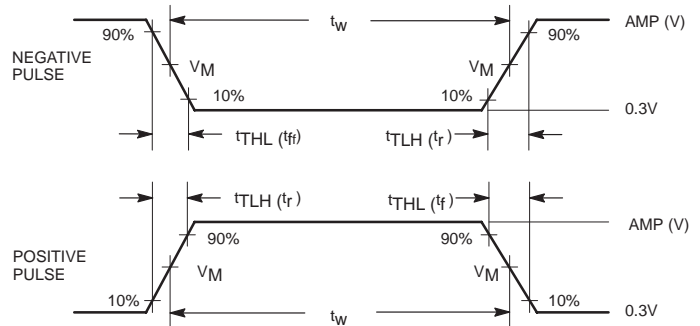
Dual J-K negative edge-triggered flip-flop

74ALS112A

TEST CIRCUIT AND WAVEFORMS



Test Circuit for Totem-pole Outputs



Input Pulse Definition

DEFINITIONS:

- R_L = Load resistor; see AC electrical characteristics for value.
- C_L = Load capacitance includes jig and probe capacitance; see AC electrical characteristics for value.
- R_T = Termination resistance should be equal to Z_{OUT} of pulse generators.

Family	INPUT PULSE REQUIREMENTS					
	Amplitude	V_M	Rep.Rate	t_w	t_{TLH}	t_{THL}
74ALS	3.5V	1.3V	1MHz	500ns	2.0ns	2.0ns

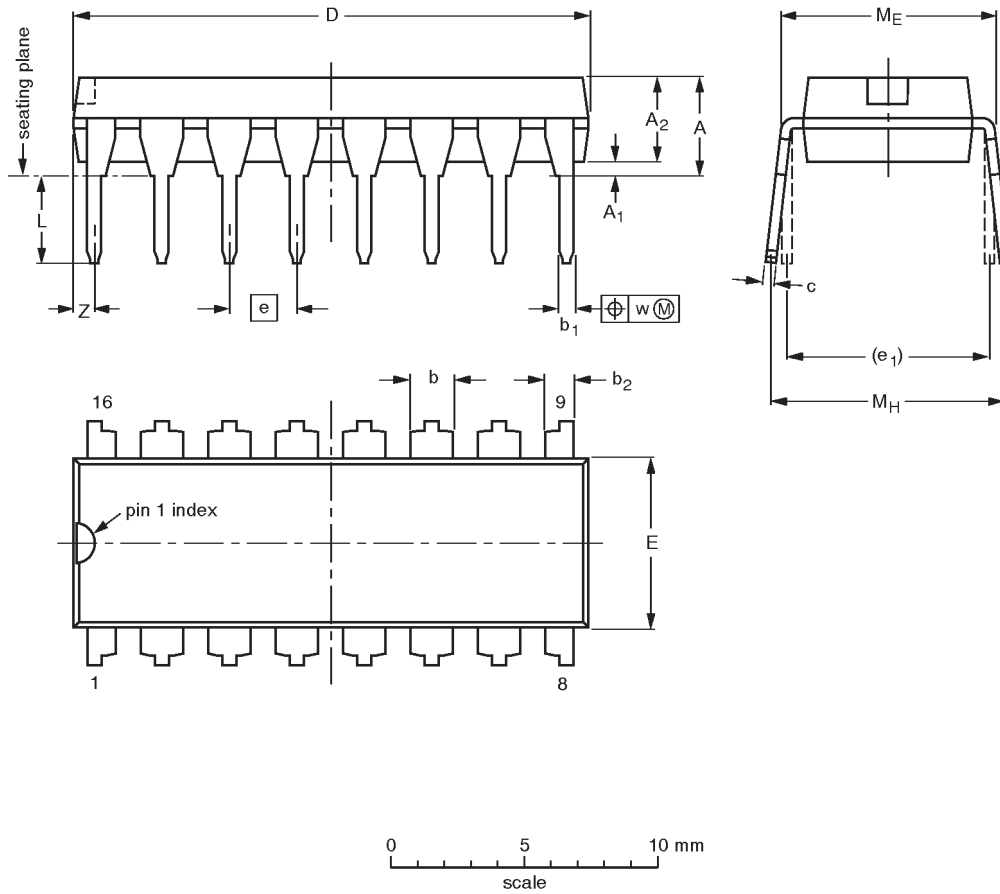
SC00005

Dual J-K negative edge-triggered flip-flop

74ALS112A

DIP16: plastic dual in-line package; 16 leads (300 mil)

SOT38-4



DIMENSIONS (inch dimensions are derived from the original mm dimensions)

UNIT	A max.	A ₁ min.	A ₂ max.	b	b ₁	b ₂	c	D ⁽¹⁾	E ⁽¹⁾	e	e ₁	L	M _E	M _H	w	Z ⁽¹⁾ max.
mm	4.2	0.51	3.2	1.73 1.30	0.53 0.38	1.25 0.85	0.36 0.23	19.50 18.55	6.48 6.20	2.54	7.62	3.60 3.05	8.25 7.80	10.0 8.3	0.254	0.76
inches	0.17	0.020	0.13	0.068 0.051	0.021 0.015	0.049 0.033	0.014 0.009	0.77 0.73	0.26 0.24	0.10	0.30	0.14 0.12	0.32 0.31	0.39 0.33	0.01	0.030

Note

1. Plastic or metal protrusions of 0.25 mm maximum per side are not included.

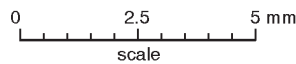
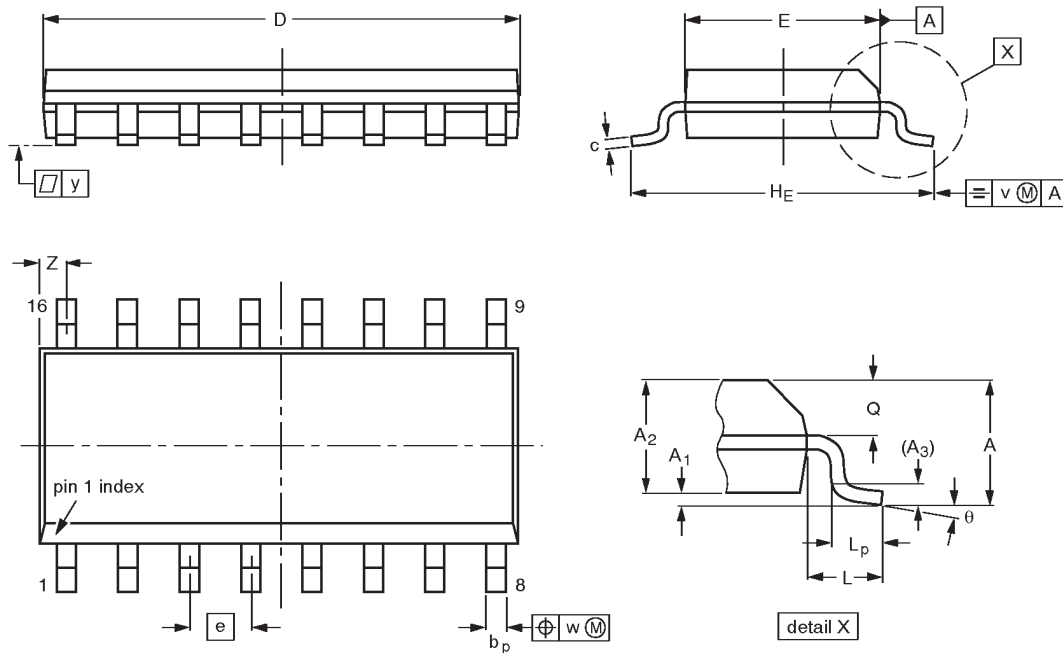
OUTLINE VERSION	REFERENCES				EUROPEAN PROJECTION	ISSUE DATE
	IEC	JEDEC	EIAJ			
SOT38-4						92-11-17 95-01-14

Dual J-K negative edge-triggered flip-flop

74ALS112A

SO16: plastic small outline package; 16 leads; body width 3.9 mm

SOT109-1



DIMENSIONS (inch dimensions are derived from the original mm dimensions)

UNIT	A max.	A ₁	A ₂	A ₃	b _p	c	D ⁽¹⁾	E ⁽¹⁾	e	H _E	L	L _p	Q	v	w	y	z ⁽¹⁾	θ
mm	1.75	0.25 0.10	1.45 1.25	0.25	0.49 0.36	0.25 0.19	10.0 9.8	4.0 3.8	1.27	6.2 5.8	1.05	1.0 0.4	0.7 0.6	0.25	0.25	0.1	0.7 0.3	8° 0°
inches	0.069	0.0098 0.0039	0.057 0.049	0.01	0.019 0.014	0.0098 0.0075	0.39 0.38	0.16 0.15	0.050	0.24 0.23	0.041	0.039 0.016	0.028 0.020	0.01	0.01	0.004	0.028 0.012	

Note

1. Plastic or metal protrusions of 0.15 mm maximum per side are not included.

OUTLINE VERSION	REFERENCES				EUROPEAN PROJECTION	ISSUE DATE
	IEC	JEDEC	EIAJ			
SOT109-1	076E07S	MS-012AC				91-08-13 95-01-23

Dual J-K negative edge-triggered flip-flop

74ALS112A

DEFINITIONS

Data Sheet Identification	Product Status	Definition
<i>Objective Specification</i>	Formative or in Design	This data sheet contains the design target or goal specifications for product development. Specifications may change in any manner without notice.
<i>Preliminary Specification</i>	Preproduction Product	This data sheet contains preliminary data, and supplementary data will be published at a later date. Philips Semiconductors reserves the right to make changes at any time without notice in order to improve design and supply the best possible product.
<i>Product Specification</i>	Full Production	This data sheet contains Final Specifications. Philips Semiconductors reserves the right to make changes at any time without notice, in order to improve design and supply the best possible product.

Philips Semiconductors and Philips Electronics North America Corporation reserve the right to make changes, without notice, in the products, including circuits, standard cells, and/or software, described or contained herein in order to improve design and/or performance. Philips Semiconductors assumes no responsibility or liability for the use of any of these products, conveys no license or title under any patent, copyright, or mask work right to these products, and makes no representations or warranties that these products are free from patent, copyright, or mask work right infringement, unless otherwise specified. Applications that are described herein for any of these products are for illustrative purposes only. Philips Semiconductors makes no representation or warranty that such applications will be suitable for the specified use without further testing or modification.

LIFE SUPPORT APPLICATIONS

Philips Semiconductors and Philips Electronics North America Corporation Products are not designed for use in life support appliances, devices, or systems where malfunction of a Philips Semiconductors and Philips Electronics North America Corporation Product can reasonably be expected to result in a personal injury. Philips Semiconductors and Philips Electronics North America Corporation customers using or selling Philips Semiconductors and Philips Electronics North America Corporation Products for use in such applications do so at their own risk and agree to fully indemnify Philips Semiconductors and Philips Electronics North America Corporation for any damages resulting from such improper use or sale.

Philips Semiconductors
811 East Arques Avenue
P.O. Box 3409
Sunnyvale, California 94088-3409
Telephone 800-234-7381

© Copyright Philips Electronics North America Corporation 1997
 All rights reserved. Printed in U.S.A.

Let's make things better.



LittleDiode supplies new, hard to find or obsolete electronic components and semiconductors all over the world.

With over two million different components listed you are sure to find the part you need.

Feel free to visit us today at our online store:

LittleDiode.com

Looking forward to providing you with the best possible service.