

Transistors <Pin Inserting Types>

ROHM CO LTD

56E D ■ 7828999 0007034 044 ■ RHM

■ ATR · ATV

Almost the same size as TO-92 but 1W Pc package type.
Taped type for automated placement; or bulk specification.

T-27-21

Application	Package		V _{CE0} (V) *V _{CEs} **V _{CEr}	I _c (A)	I _c Max. (A)	P _c (mW) (Ta=25°C)	h _{FE}	V _{CE} (V)	I _c (mA)
	ATR	ATV							
	Type								
Low Noise	2SA937MLN	—	-40	-0.1	—	300	180~560	-6	-1
	2SC2021MLN	—	40	0.1	—	300	180~820	6	1
Pre Amp	2SA937M	2SA1547	-40	-0.1	—	300	82~390	-6	-1
	2SC2021M	2SC4010	40	0.1	—	300	120~820	6	1
Pre Amp	2SC4776M	2SC4778	25	0.1	0.2	400	180~560	6	1
	2SA874M	2SA1548	-32	-0.5	—	300	82~390	-3	-100
Driver	2SB909M	2SB1237	-32	-1	—	1000*	82~390	-3	-100
	2SB910M	2SB1238	-80	-0.7	—	1000*	82~390	-3	-100
	2SB911M	2SB1240	-32	-2	-3	1000*	82~390	-3	-500
	2SB1042	2SB1241	-80	-1	—	1000*	82~390	-3	-100
	2SB1044M	2SB1242	-50	-1	—	1000*	82~390	-3	-100
	2SB1066M	2SB1243	-50	-3	—	1000*	56~390	-3	-500
	2SB1130AM	2SB1236A	-160	-1.5	-3	1000*	56~270	-5	-100
	2SB1130M	2SB1236	-120	-1.5	-3	1000*	56~390	-5	-100
	2SC1652M	2SC4016	32	0.5	—	400	82~390	3	100
	2SD1225M	2SD1858	32	1	—	1000*	82~390	3	100
	2SD1226M	2SD1859	80	0.7	—	1000*	82~390	3	100
	2SD1227M	2SD1862	32	2	2.5	1000*	82~390	3	500
	2SD1228M	2SD1860	50	0.5	—	600	82~390	3	100
	2SD1293M	2SD1863	80	1	2	1000*	82~390	3	500
	2SD1507M	2SD1864	50	3	—	1000*	82~390	3	500
	2SD1665AM	2SD1857A	160	1.5	3	1000*	56~270	5	100
	2SD1665M	2SD1857	120	1.5	3	1000*	56~390	5	100
Storobo Flash Low V _{CE} (sat)	2SB1307M	2SB1326	-20	-5	-10	1000*	82~390	-2	-500
	2SD1962M	2SD2097	20	5	10	1000*	120~560	2	500
Low V _{CE} (sat)	2SB1485M	2SB1443	-50	-2	-5	1000*	82~270	-2	-500
	2SD1469M	2SD1866	15	1	—	600	120~560	3	100
	—	2SD2264	20	3	5	1000*	120~560	2	100
Chroma	2SD2197M	☆2SD2279	50	2	5	1000*	82~270	2	500
	2SD3270M	2SC4015	300	0.1	—	1000*	39~180	10	10
High h _{FE}	—	2SB1460	20	-2	-3	1000*	270~1200	-6	-500
Darlington	2SA790M	2SA1549	-32*	-0.3	-1.5	300	1k~	-5	-100
	2SB1076M	2SB1239	-40**	-2	—	1000*	1k~	-3	-500
	2SC1545M	2SC4017	32*	0.3	1.5	300	1k~	5	100
	2SD1536M	2SD1861	40**	2	—	1000*	1k~	3	500
	2SD1660M	2SD1867	100	2	—	1000*	1k~10k	2	1000
	2SD1661M	2SD1866	60±10	2	—	1000*	1k~10k	2	1000
High Voltage SW	—	2SA1776	-400	-0.5	-1	1000*	82~270	-5	-50
	2SC4295M	2SC4620	400	0.1	—	1000*	56~270	10	10
High h _{FE} High V _{EB0}	2SD2145M	2SD2192	20	0.5	1	400	560~2700	3	10
	2SD2313M	2SD2315	50	0.15	0.2	400	560~2700	5	1
* TV Tuner Mix.Osc.	2SC3080M	2SC4014	19	0.05	—	300	39~270	10	5
* FM RF Mix Osc.	2SC3079M	2SC4013	20	0.02	—	150	39~180	6	1
* FM IF AM RF	2SC2063M	2SC4011	25	0.05	—	250	56~270	6	1
	2SC3078M	2SC4012	32	0.1	—	250	39~180	6	2

Notes) 1.☆Under Development

2.*PC board (collector's copper foil area, 1cm² or over;PC board thickness,1.7mm)

3.**For FF transistors, see "FF Transistors" on page 149.

●Ordering Designation

Specify type code in order sheet.

Type is described using type name, special specifications, package specifications and h_{FE} ranking.

Code	Package	Package specifications	Quantity /Package (pcs)
C2	ATR	Tube	8000 (80pcs×100)
—		Bulk	2000
TV2	ATV	Ammo taping	2500
TV3			
TV4			
TV6			

Package specifications code



Type name

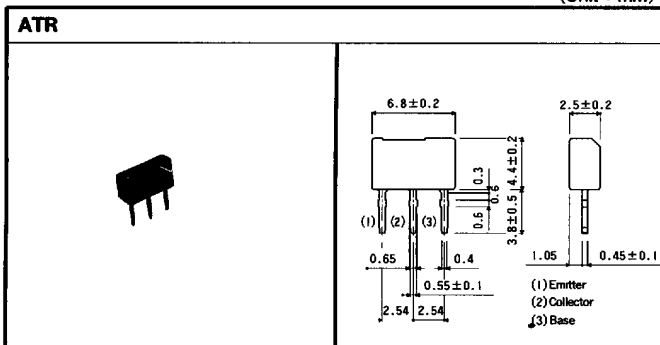
Special specifications code

h_{FE} Ranking

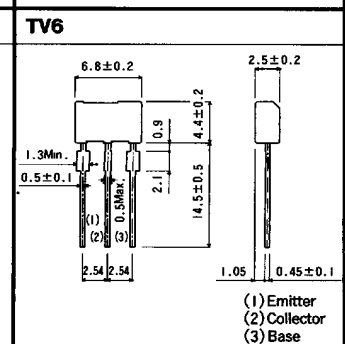
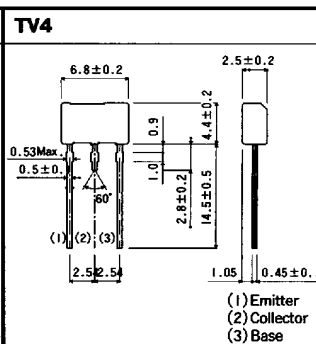
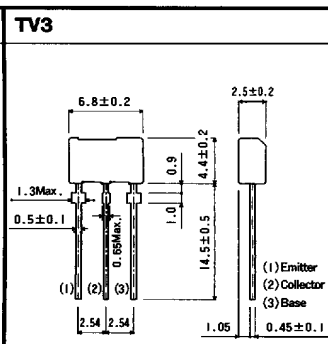
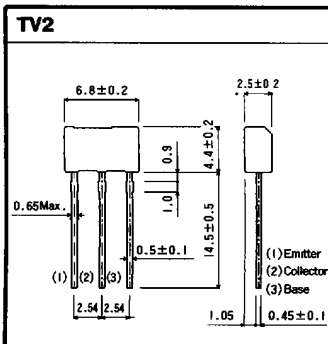
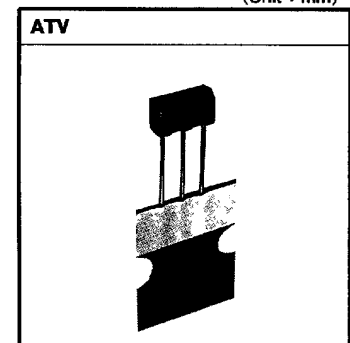
Code	h_{FE} Range
L	27~56
M	39~82
N	56~120
P	82~180
Q	120~270
R	180~390
S	270~560
E	390~820
U	560~1200
V	820~1800
W	1200~2700
A	1k~
B	5k~

Transistors

(Unit : mm)

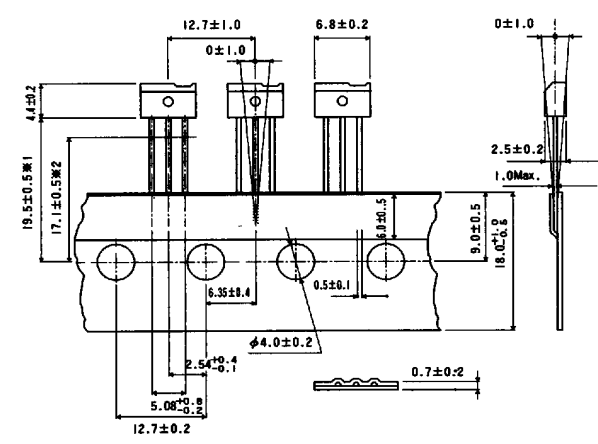
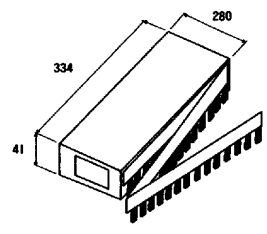
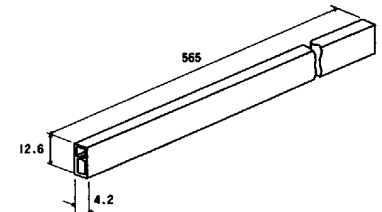


(Unit : mm)



● Package Specifications

(Unit : mm)

<p>ATV Taping</p>  <p> 12.7 ± 1.0 6.8 ± 0.2 0 ± 1.0 4.4 ± 0.2 $19.5 \pm 0.5 \text{ Max}$ $17.1 \pm 0.5 \text{ Max}$ 0 ± 1.0 2.5 ± 0.2 1.0 Max 0 ± 1.0 6.35 ± 0.4 0.5 ± 0.1 9.0 ± 0.5 18.0 ± 0.8 $\phi 4.0 \pm 0.2$ 2.54 ± 0.1 5.08 ± 0.2 12.7 ± 0.2 0.7 ± 0.2 </p> <p> * 1.ATV TV4 : 16.5 ± 0.5 * 2.Applies to ATV TV3. 16.0 ± 0.5 for ATV TV6 </p>	<p>ATV Ammo taping</p>  <p> 280 334 41 </p>
<p>(Unit : mm)</p>	
<p>ATR Container tube</p>  <p> 565 12.6 4.2 </p>	