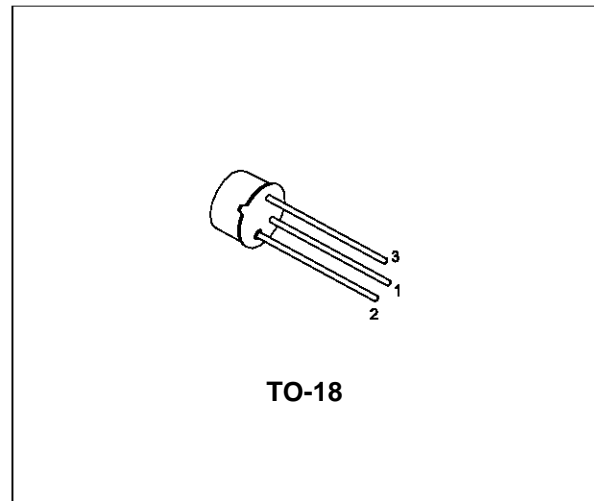


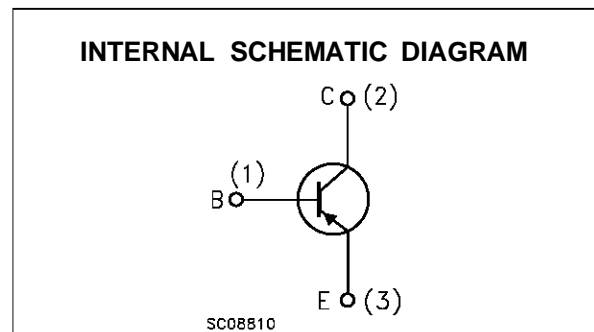
HIGH VOLTAGE AMPLIFIER

DESCRIPTION

The BFW43 is a silicon planar epitaxial PNP transistors in Jedec TO-18 metal case. It is designed for use in amplifiers where high voltage and high gain are necessary. In particular, its feature a V_{CE0} of 150V are specified over a wide range of current.



INTERNAL SCHEMATIC DIAGRAM



ABSOLUTE MAXIMUM RATINGS

Symbol	Parameter	Value	Unit
V_{CB0}	Collector-Base Voltage ($I_E = 0$)	-150	V
V_{CE0}	Collector-Emitter Voltage ($I_B = 0$)	-150	V
V_{EB0}	Emitter-Base Voltage ($I_C = 0$)	-6	V
I_C	Collector Current	-0.1	A
P_{tot}	Total Dissipation at $T_{amb} \leq 25\text{ }^\circ\text{C}$ at $T_{case} \leq 25\text{ }^\circ\text{C}$	0.4	W
		1.4	W
T_{stg}	Storage Temperature	-55 to 200	$^\circ\text{C}$
T_j	Max. Operating Junction Temperature	200	$^\circ\text{C}$

THERMAL DATA

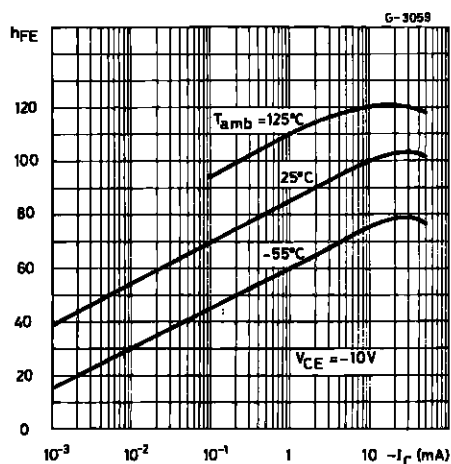
$R_{thj-case}$	Thermal Resistance Junction-Case	Max	125	$^{\circ}C/W$
$R_{thj-amb}$	Thermal Resistance Junction-Ambient	Max	438	$^{\circ}C/W$

ELECTRICAL CHARACTERISTICS ($T_{case} = 25^{\circ}C$ unless otherwise specified)

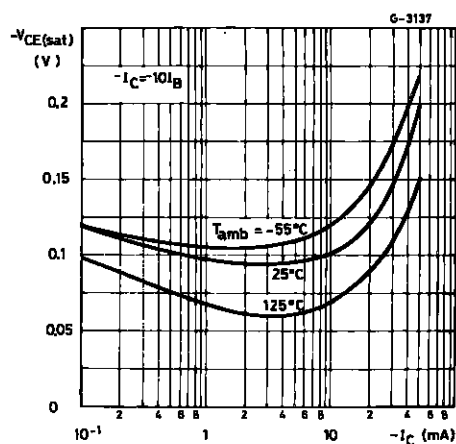
Symbol	Parameter	Test Conditions	Min.	Typ.	Max.	Unit
I_{CBO}	Collector Cut-off Current ($I_E = 0$)	$V_{CE} = -100 V$ $V_{CE} = -100 V$ $T_{amb} = 125^{\circ}C$		-0.2 -0.03	-10 -10	nA μA
$V_{(BR)CBO}^*$	Collector-Base Breakdown Voltage ($I_E = 0$)	$I_C = -10 \mu A$	-150			V
$V_{(BR)CEO}^*$	Collector-Emitter Breakdown Voltage ($I_B = 0$)	$I_C = -2 mA$	-150			V
$V_{(BR)EBO}^*$	Emitter-Base Breakdown Voltage ($I_C = 0$)	$I_E = -10 \mu A$	-6			V
$V_{CE(sat)}^*$	Collector-Emitter Saturation Voltage	$I_C = -10 mA$ $I_B = -1 mA$		-0.1	-0.5	V
$V_{BE(sat)}^*$	Base-Emitter Saturation Voltage	$I_C = -10 mA$ $I_B = -1 mA$		-0.74	-0.9	V
h_{FE}^*	DC Current Gain	$I_C = -1 mA$ $V_{CE} = -10 V$ $I_C = -10 mA$ $V_{CE} = -10 V$ $I_C = -10 \mu A$ $V_{CE} = -10 V$ $T_{amb} = -55^{\circ}C$	40 40	85 100		
f_T	Transition Frequency	$V_{CE} = -10 V$ $f = 20 MHz$ $I_C = -1 mA$ $I_C = -10 mA$	60	50		MHz MHz
C_{EBO}	Emitter Base Capacitance	$I_E = 0$ $V_{EB} = -0.5 V$ $f = 1MHz$		20	25	pF
C_{CBO}	Collector Base Capacitance	$I_E = 0$ $V_{CB} = -5 V$ $f = 1MHz$		5	7	pF

* Pulsed: Pulse duration = 300 μs , duty cycle $\leq 1\%$

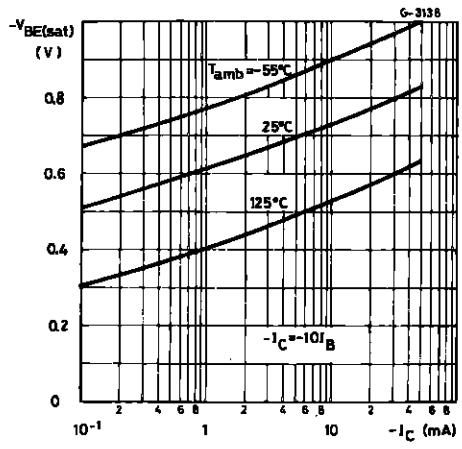
DC Current Gain.



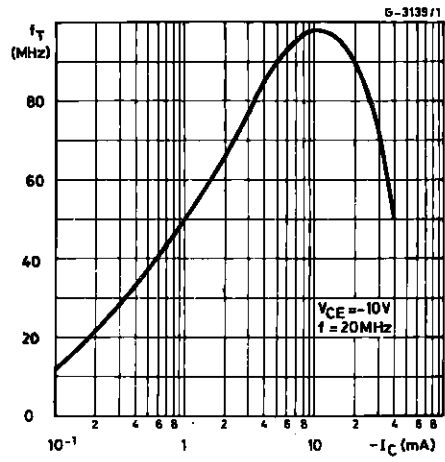
Collector-emitter Saturation Voltage.



Base-emitter Saturation Voltage.

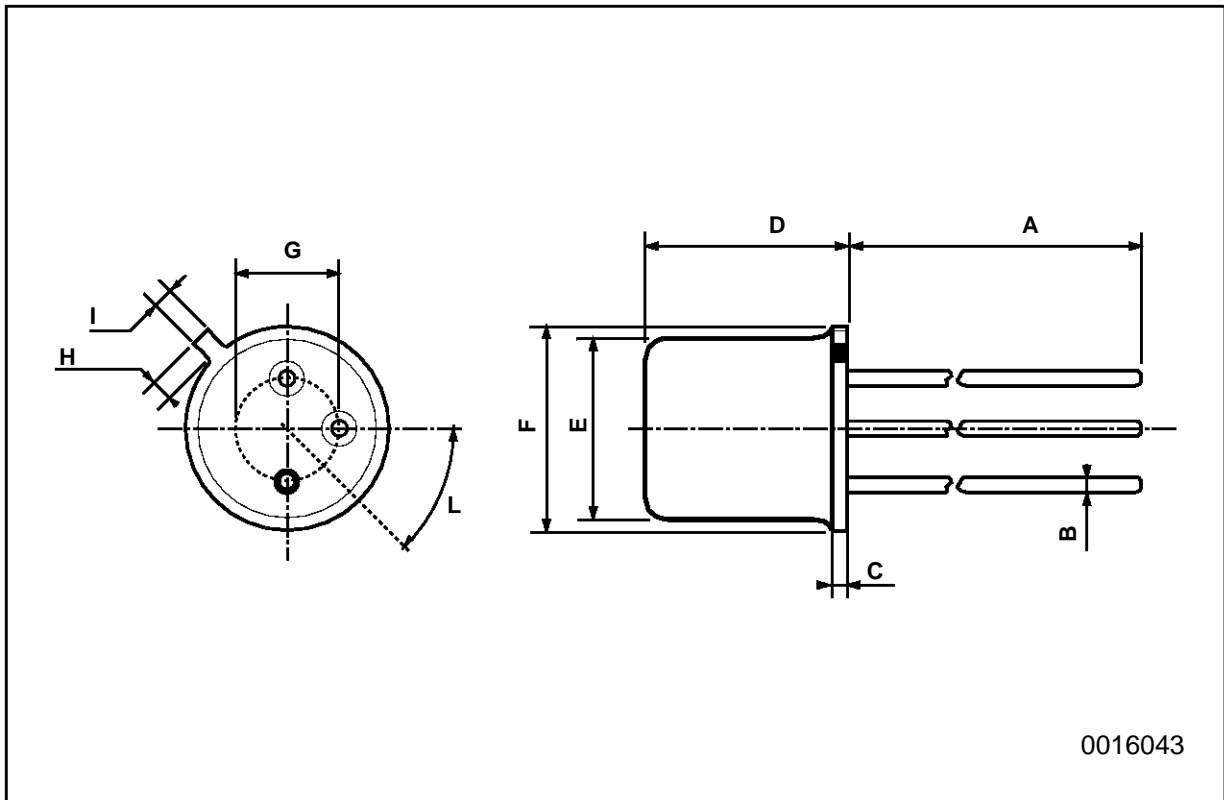


Transition Frequency.



TO-18 MECHANICAL DATA

DIM.	mm			inch		
	MIN.	TYP.	MAX.	MIN.	TYP.	MAX.
A		12.7			0.500	
B			0.49			0.019
D			5.3			0.208
E			4.9			0.193
F			5.8			0.228
G	2.54			0.100		
H			1.2			0.047
I			1.16			0.045
L	45°			45°		



Information furnished is believed to be accurate and reliable. However, SGS-THOMSON Microelectronics assumes no responsibility for the consequences of use of such information nor for any infringement of patents or other rights of third parties which may result from its use. No license is granted by implication or otherwise under any patent or patent rights of SGS-THOMSON Microelectronics. Specifications mentioned in this publication are subject to change without notice. This publication supersedes and replaces all information previously supplied. SGS-THOMSON Microelectronics products are not authorized for use as critical components in life support devices or systems without express written approval of SGS-THOMSON Microelectronics.

© 1997 SGS-THOMSON Microelectronics - Printed in Italy - All Rights Reserved

SGS-THOMSON Microelectronics GROUP OF COMPANIES

Australia - Brazil - Canada - China - France - Germany - Italy - Japan - Korea - Malaysia - Malta - Morocco - The Netherlands -
Singapore - Spain - Sweden - Switzerland - Taiwan - Thailand - United Kingdom - U.S.A

...

This datasheet has been downloaded from:

www.DatasheetCatalog.com

Datasheets for electronic components.



LittleDiode supplies new, hard to find or obsolete electronic components and semiconductors all over the world.

With over two million different components listed you are sure to find the part you need.

Feel free to visit us today at our online store:

LittleDiode.com

Looking forward to providing you with the best possible service.