

HD74LS194A • 4-bit Bidirectional Universal Shift Registers

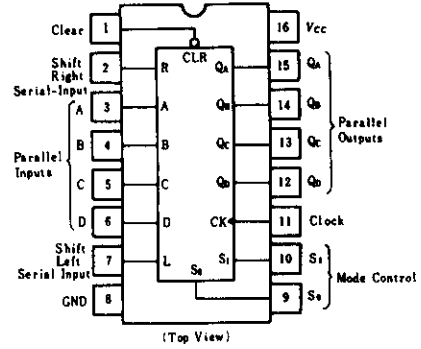
This bidirectional shift register is designed to incorporate virtually all of the features a system designer may want in a shift register. The circuit contains 46 equivalent gates and features parallel inputs, parallel outputs, right-shift and left-shift serial inputs. Operating-mode-control inputs, and a direct overriding clear line. The register has four distinct modes of operation, namely:

- Parallel (broadside) load
- Shift right (in the direction Q_A toward Q_D)
- Shift left (in direction Q_D toward Q_A)
- Inhibit clock (do nothing)

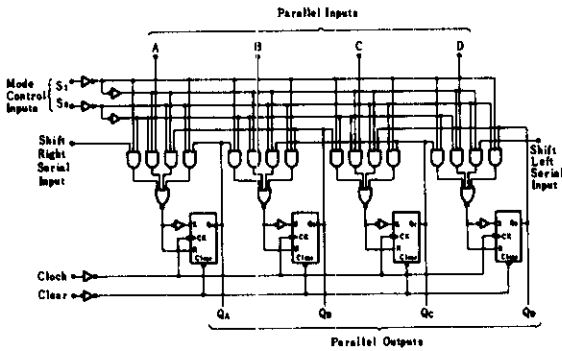
Synchronous parallel loading is accomplished by applying the four bits of data and taking both mode control inputs, S_0 and S_1 , high. The data are loaded into the associated flip-flops and appear at the outputs after the positive transition of the clock input. During loading, serial data flow is inhibited. Shift right is accomplished synchronously with the rising edge of the clock pulse when S_0 is high and S_1 is low. Serial data

for this mode is entered at the shift-right data input. When S_0 is low and S_1 is high, data shifts left synchronously and new data is entered at the shift-left serial input. Clocking of the flip-flop is inhibited when both mode control inputs are low.

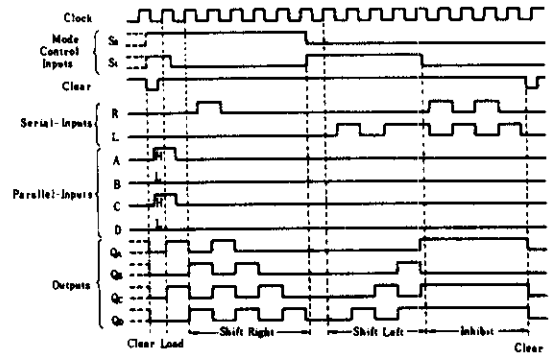
PIN ARRANGEMENT



BLOCK DIAGRAM



COUNT SEQUENCE



FUNCTION TABLE

CLEAR	MODE		CLOCK	Inputs				Outputs					
	S_1	S_0		SERIAL		PARALLEL		Q_A	Q_B	Q_C	Q_D		
				LEFT	RIGHT	A	B					C	D
L	X	X	X	X	X	X	X	X	X	L	L	L	L
H	X	X	L	X	X	X	X	X	X	Q_{A0}	Q_{B0}	Q_{C0}	Q_{D0}
H	H	H	↑	X	X	a	b	c	d	a	b	c	d
H	L	H	↑	X	H	X	X	X	X	H	Q_{An}	Q_{Bn}	Q_{Cn}
H	L	H	↑	X	L	X	X	X	X	L	Q_{An}	Q_{Bn}	Q_{Cn}
H	H	L	↑	H	X	X	X	X	X	Q_{Bn}	Q_{Cn}	Q_{Dn}	H
H	H	L	↑	L	X	X	X	X	X	Q_{Bn}	Q_{Cn}	Q_{Dn}	L
H	L	L	X	X	X	X	X	X	X	Q_{A0}	Q_{B0}	Q_{C0}	Q_{D0}

- Notes) 1. H; high level, L; low level, X; irrelevant
 2. ↑; transition from low to high level
 3. ↓; transition from high to low level
 4. a~d; the level of steady-state input at inputs A,B,C, or D, respectively
 5. Q_{A0} ~ Q_{D0} ; the level of Q_A , Q_B , Q_C , or Q_D , respectively, before the indicated steady-state input condi-

6. Q_{An} ~ Q_{Dn} ; the level of Q_A , Q_B , Q_C , or Q_D , respectively, before the most-recent ↑ transition of the clock.

HD74LS194A

RECOMMENDED OPERATING CONDITIONS

Item		Symbol	min	typ	max	Unit
Clock frequency		f_{clock}	0	—	25	MHz
Clock pulse width		$t_w(CK)$	20	—	—	ns
Clear pulse width		$t_w(CLR)$	20	—	—	ns
Setup time	Mode Control	t_{su}	30	—	—	ns
	A, B, C, D, R, L		20	—	—	ns
	CLR (inactive state)		25	—	—	ns
Hold time		t_h	0	—	—	ns

ELECTRICAL CHARACTERISTICS ($T_a = -20 \sim +75^\circ\text{C}$)

Item	Symbol	Test Conditions	min	typ*	max	Unit	
Input voltage	V_{IH}		2.0	—	—	V	
	V_{IL}		—	—	0.8	V	
Output voltage	V_{OH}	$V_{CC}=4.75\text{V}, V_{IH}=2\text{V}, V_{IL}=0.8\text{V}, I_{OH}=-400\mu\text{A}$	2.7	—	—	V	
	V_{OL}	$V_{CC}=4.75\text{V}, V_{IH}=2\text{V}, V_{IL}=0.8\text{V}$	$I_{OL}=4\text{mA}$	—	—	0.4	V
			$I_{OL}=8\text{mA}$	—	—	0.5	
Input current	I_{IH}	$V_{CC}=5.25\text{V}, V_I=2.7\text{V}$	—	—	20	μA	
	I_{IL}	$V_{CC}=5.25\text{V}, V_I=0.4\text{V}$	—	—	-0.4	mA	
	I_I	$V_{CC}=5.25\text{V}, V_I=7\text{V}$	—	—	0.1	mA	
Short-circuit output current	I_{OS}	$V_{CC}=5.25\text{V}$	-20	—	-100	mA	
Supply current**	I_{CC}	$V_{CC}=5.25\text{V}$	—	15	23	mA	
Input clamp voltage	V_{IK}	$V_{CC}=4.75\text{V}, I_{IN}=-18\text{mA}$	—	—	-1.5	V	

* $V_{CC}=5\text{V}, T_a=25^\circ\text{C}$

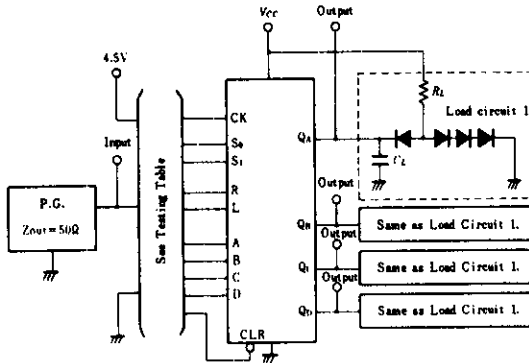
** With all outputs open, inputs A through D grounded, and 4.5V applied to S_0, S_1 , clear, and the serial inputs, I_{CC} is tested with a momentary GND, then 4.5V, applied to clock.

SWITCHING CHARACTERISTICS ($V_{CC}=5\text{V}, T_a=25^\circ\text{C}$)

Item	Symbol	Inputs	Outputs	Test Conditions	min	typ	max	Unit
Maximum clock frequency	f_{max}			$C_L=15\text{pF}$ $R_L=2\text{k}\Omega$	25	36	—	MHz
Propagation delay time	t_{PHL}	Clear	Q		—	19	30	ns
	t_{PLH}	Clock			—	14	22	ns
	t_{PHL}	Clock			—	17	26	ns

TESTING METHOD

1) Test Circuit

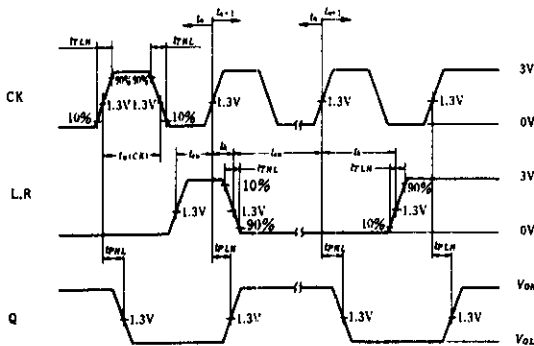


- Notes) 1. C_L includes probe and jig capacitance.
2. All diodes are 1S2074 (H).

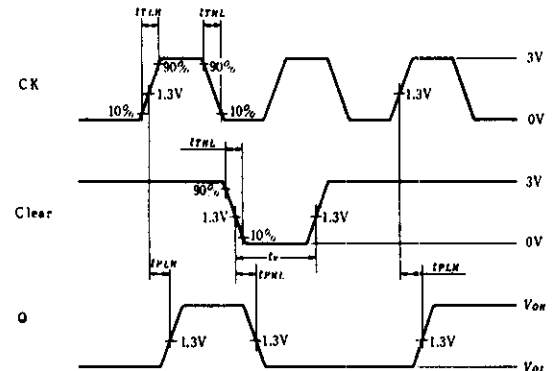
2) Testing Table

Item	From input to output	Inputs										Outputs			
		CLR	S ₁	S ₀	CK	L	R	A	B	C	D	Q _A	Q _B	Q _C	Q _D
f_{max}	right-shift	4.5V	4.5V	GND	IN	4.5V	IN	GND	GND	GND	GND	OUT	OUT	OUT	OUT
	left-shift	4.5V	GND	4.5V	IN	IN	4.5V	GND	GND	GND	GND	OUT	OUT	OUT	OUT
t_{PHL}	Clear→Q	IN	4.5V	4.5V	IN	GND	GND	4.5V	4.5V	4.5V	4.5V	OUT	OUT	OUT	OUT
		4.5V	4.5V	GND	IN	4.5V	IN	GND	GND	GND	GND	OUT	OUT	OUT	OUT
t_{PLH}	Clock→Q	4.5V	4.5V	GND	IN	IN	4.5V	GND	GND	GND	GND	OUT	OUT	OUT	OUT

Waveform-1 (f_{max} , CK→Q)

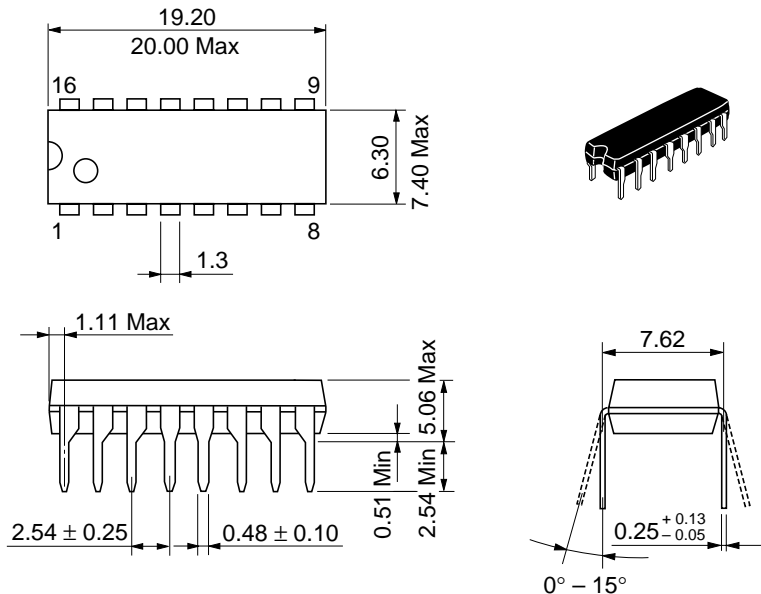


Waveform-2 (Clear→Q)

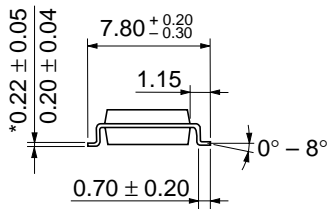


- Notes) 1. Right-shift is measured with Q_A at t_{n+1} , Q_B at t_{n+2} , Q_C at t_{n+3} , and Q_D at t_{n+4} . Left-shift is measured with Q_A at t_{n+4} , Q_B at t_{n+3} , Q_C at t_{n+2} , and Q_D at t_{n+1} .

Input pulse: $t_{TLH} \leq 15ns$, $t_{THL} \leq 6ns$



Hitachi Code	DP-16
JEDEC	Conforms
EIAJ	Conforms
Weight (reference value)	1.07 g



*Dimension including the plating thickness
Base material dimension

Hitachi Code	FP-16DA
JEDEC	—
EIAJ	Conforms
Weight (reference value)	0.24 g



*Dimension including the plating thickness
Base material dimension

Hitachi Code	FP-16DN
JEDEC	Conforms
EIAJ	Conforms
Weight (reference value)	0.15 g

Cautions

1. Hitachi neither warrants nor grants licenses of any rights of Hitachi's or any third party's patent, copyright, trademark, or other intellectual property rights for information contained in this document. Hitachi bears no responsibility for problems that may arise with third party's rights, including intellectual property rights, in connection with use of the information contained in this document.
2. Products and product specifications may be subject to change without notice. Confirm that you have received the latest product standards or specifications before final design, purchase or use.
3. Hitachi makes every attempt to ensure that its products are of high quality and reliability. However, contact Hitachi's sales office before using the product in an application that demands especially high quality and reliability or where its failure or malfunction may directly threaten human life or cause risk of bodily injury, such as aerospace, aeronautics, nuclear power, combustion control, transportation, traffic, safety equipment or medical equipment for life support.
4. Design your application so that the product is used within the ranges guaranteed by Hitachi particularly for maximum rating, operating supply voltage range, heat radiation characteristics, installation conditions and other characteristics. Hitachi bears no responsibility for failure or damage when used beyond the guaranteed ranges. Even within the guaranteed ranges, consider normally foreseeable failure rates or failure modes in semiconductor devices and employ systemic measures such as fail-safes, so that the equipment incorporating Hitachi product does not cause bodily injury, fire or other consequential damage due to operation of the Hitachi product.
5. This product is not designed to be radiation resistant.
6. No one is permitted to reproduce or duplicate, in any form, the whole or part of this document without written approval from Hitachi.
7. Contact Hitachi's sales office for any questions regarding this document or Hitachi semiconductor products.

HITACHI

Hitachi, Ltd.

Semiconductor & Integrated Circuits.
Nippon Bldg., 2-6-2, Ohte-machi, Chiyoda-ku, Tokyo 100-0004, Japan
Tel: Tokyo (03) 3270-2111 Fax: (03) 3270-5109

URL North America : <http://semiconductor.hitachi.com/>
 Europe : <http://www.hitachi-eu.com/hel/ecg>
 Asia (Singapore) : <http://www.has.hitachi.com.sg/grp3/sicd/index.htm>
 Asia (Taiwan) : http://www.hitachi.com.tw/E/Product/SICD_Frame.htm
 Asia (HongKong) : <http://www.hitachi.com.hk/eng/bo/grp3/index.htm>
 Japan : <http://www.hitachi.co.jp/Sicd/indx.htm>

For further information write to:

Hitachi Semiconductor
(America) Inc.
179 East Tasman Drive,
San Jose, CA 95134
Tel: <1> (408) 433-1990
Fax: <1>(408) 433-0223

Hitachi Europe GmbH
Electronic components Group
Dornacher Straße 3
D-85622 Feldkirchen, Munich
Germany
Tel: <49> (89) 9 9180-0
Fax: <49> (89) 9 29 30 00

Hitachi Europe Ltd.
Electronic Components Group.
Whitebrook Park
Lower Cookham Road
Maidenhead
Berkshire SL6 8YA, United Kingdom
Tel: <44> (1628) 585000
Fax: <44> (1628) 778322

Hitachi Asia Pte. Ltd.
16 Collyer Quay #20-00
Hitachi Tower
Singapore 049318
Tel: 535-2100
Fax: 535-1533

Hitachi Asia Ltd.
Taipei Branch Office
3F, Hung Kuo Building, No.167,
Tun-Hwa North Road, Taipei (105)
Tel: <886> (2) 2718-3666
Fax: <886> (2) 2718-8180

Hitachi Asia (Hong Kong) Ltd.
Group III (Electronic Components)
7/F., North Tower, World Finance Centre,
Harbour City, Canton Road, Tsim Sha Tsui,
Kowloon, Hong Kong
Tel: <852> (2) 735 9218
Fax: <852> (2) 730 0281
Telex: 40815 HITEC HX

Copyright ' Hitachi, Ltd., 1999. All rights reserved. Printed in Japan.

HITACHI



LittleDiode supplies new, hard to find or obsolete electronic components and semiconductors all over the world.

With over two million different components listed you are sure to find the part you need.

Feel free to visit us today at our online store:

LittleDiode.com

Looking forward to providing you with the best possible service.