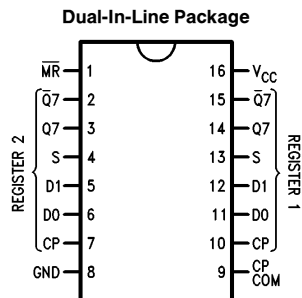


## 9328/DM9328 Dual 8-Bit Shift Register

### General Description

The '9328 is a high speed serial storage element providing 16 bits of storage in the form of two 8-bit registers. The multifunctional capability of this device is provided by several features: 1) additional gating is provided at the input to both shift registers so that the input is easily multiplexed between two sources; 2) the clock of each register may be provided separately or together; 3) both the true and complementary outputs are provided from each 8-bit register, and both registers may be master cleared from a common input.

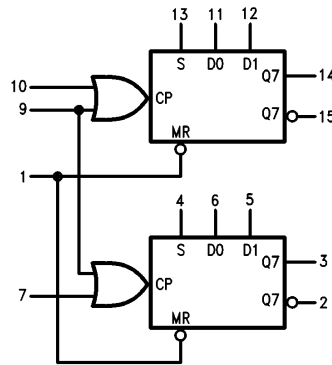
### Connection Diagram



TL/F/9793-1

Order Number 9328DMQB, 9328FMQB or DM9328N  
See NS Package Number J16A, N16E or W16A

### Logic Symbol



TL/F/9793-2

V<sub>CC</sub> = Pin 16  
GND = Pin 8

Pin Names	Description
S	Data Select Input
D0, D1	Data Inputs
CP	Clock Pulse Input (Active HIGH)
	Common (Pin 9)
	Separate (Pins 7 and 10)
$\overline{\text{MR}}$	Master Reset Input (Active LOW)
Q7	Last Stage Output
$\overline{\text{Q7}}$	Complementary Output

## Absolute Maximum Ratings (Note)

If Military/Aerospace specified devices are required, please contact the National Semiconductor Sales Office/Distributors for availability and specifications.

Supply Voltage	7V
Input Voltage	5.5V
Operating Free Air Temperature Range	
Military	−55°C to +125°C
Commercial	0°C to +70°C
Storage Temperature Range	−65°C to +150°C

Note: The "Absolute Maximum Ratings" are those values beyond which the safety of the device cannot be guaranteed. The device should not be operated at these limits. The parametric values defined in the "Electrical Characteristics" table are not guaranteed at the absolute maximum ratings. The "Recommended Operating Conditions" table will define the conditions for actual device operation.

## Recommended Operating Conditions

Symbol	Parameter	Military			Commercial			Units
		Min	Nom	Max	Min	Nom	Max	
V <sub>CC</sub>	Supply Voltage	4.5	5	5.5	4.75	5	5.25	V
V <sub>IH</sub>	High Level Input Voltage	2			2			V
V <sub>IL</sub>	Low Level Input Voltage			0.8			0.8	V
I <sub>OH</sub>	High Level Output Current			−0.4			−0.4	mA
I <sub>OL</sub>	Low Level Output Current			16			16	mA
T <sub>A</sub>	Free Air Operating Temperature	−55		125	0		70	°C
t <sub>s</sub> (H)	Setup Time HIGH or LOW	20			20			ns
t <sub>s</sub> (L)	D <sub>n</sub> to CP	20			20			ns
t <sub>h</sub> (H)	Hold Time HIGH or LOW	0			0			ns
t <sub>h</sub> (L)	D <sub>n</sub> to CP	0			0			ns
t <sub>w</sub> (H)	Clock Pulse Width HIGH	25			25			ns
t <sub>w</sub> (L)	or LOW	25			25			ns
t <sub>w</sub> (L)	$\overline{MR}$ Pulse Width with CP HIGH	30			30			ns
t <sub>w</sub> (L)	$\overline{MR}$ Pulse Width with CP LOW	40			40			ns
t <sub>rec</sub>	Recovery Time $\overline{MR}$ to CP	33			33			ns

## Electrical Characteristics

Over Recommended Operating Free Air Temperature Range (Unless Otherwise Noted)

Symbol	Parameter	Conditions	Min	Typ (Note 1)	Max	Units
V <sub>I</sub>	Input Clamp Voltage	V <sub>CC</sub> = Min, I <sub>I</sub> = −12 mA			−1.5	V
V <sub>OH</sub>	High Level Output Voltage	V <sub>CC</sub> = Min, I <sub>OH</sub> = Max V <sub>IL</sub> = Max	2.4	3.4		V
V <sub>OL</sub>	Low Level Output Voltage	V <sub>CC</sub> = Min, I <sub>OL</sub> = Max V <sub>IH</sub> = Min		0.2	0.4	V
I <sub>I</sub>	Input Current @ Max Input Voltage	V <sub>CC</sub> = Max, V <sub>I</sub> = 5.5V			1	mA
I <sub>IH</sub>	High Level Input Current	V <sub>CC</sub> = Max, V <sub>I</sub> = 2.4V $\overline{MR}$ , D <sub>n</sub> Inputs			40	$\mu$ A
		CP Inputs			60	
		S Inputs			80	
		CP (COM) Inputs			120	
I <sub>IL</sub>	Low Level Input Current	V <sub>CC</sub> = Max, V <sub>I</sub> = 0.4V $\overline{MR}$ , D <sub>n</sub> Inputs			−1.6	mA
		CP Inputs			−2.4	
		S Inputs			−3.2	
		CP (COM) Input			−4.8	

## Electrical Characteristics

Over Recommended Operating Free Air Temperature Range (Unless Otherwise Noted) (Continued)

Symbol	Parameter	Conditions	Min	Typ (Note 1)	Max	Units	
I <sub>OS</sub>	Short Circuit Output Current	V <sub>CC</sub> = Max (Note 2)	MIL	-20		-70	mA
			COMM	-20		-70	
I <sub>CC</sub>	Supply Current	V <sub>CC</sub> = Max			77	mA	

**Note 1:** All typicals are at V<sub>CC</sub> = 5V, T<sub>A</sub> = 25°C.

**Note 2:** Not more than one output should be shorted at a time.

## Switching Characteristics

V<sub>CC</sub> = +5.0V, T<sub>A</sub> = +25°C (See Section 1 for waveforms and load configurations)

Symbol	Parameter	C <sub>L</sub> = 15 pF R <sub>L</sub> = 400Ω		Units
		Min	Max	
f <sub>max</sub>	Maximum Shift Right Frequency	20		MHz
t <sub>PLH</sub> t <sub>PHL</sub>	Propagation Delay CP to Q7 or $\bar{Q}$ 7		20 35	ns
t <sub>PHL</sub>	Propagation Delay $\bar{M}\bar{R}$ to Q7		50	ns

## Functional Description

The two 8-bit shift registers have a common clock input (pin 9) and separate clock inputs (pins 10 and 7). The clocking of each register is controlled by the OR function of the separate and the common clock input. Each register is composed of eight clocked RS master/slave flip-flops and a number of gates. The clock OR gate drives the eight clock inputs of the flip-flops in parallel. When the two clock inputs (the separate and the common) to the OR gate are LOW, the slave latches are steady, but data can enter the master latches via the R and S input. During the first LOW-to-HIGH transition of either, or both simultaneously, of the two clock inputs, the data inputs (R and S) are inhibited so that a later change in input data will not affect the master; then the now trapped information in the master is transferred to the slave. When the transfer is complete, both the master and the slave are steady as long as either or both clock inputs remain HIGH. During the HIGH-to-LOW transition of the last remaining HIGH clock input, the transfer path from master to slave is inhibited first, leaving the slave steady in its present state. The data inputs (R and S) are enabled so that new data can enter the master. Either of the clock inputs can be used as clock inhibit inputs by applying a logic HIGH signal.

Each 8-bit shift register has a 2-input multiplexer in front of the serial data input. The two data inputs D0 and D1 are controlled by the data select input (S) following the Boolean expression:

$$\text{Serial data in: } S_D = S D_0 + \bar{S} D_1$$

An asynchronous master reset is provided which, when activated by a LOW logic level, will clear all 16 stages independently of any other input signal.

Shift Select Table

INPUTS			OUTPUT
S	D0	D1	Q7 (t <sub>n</sub> + δ)
L	L	X	L
L	H	X	H
H	X	L	L
H	X	H	H

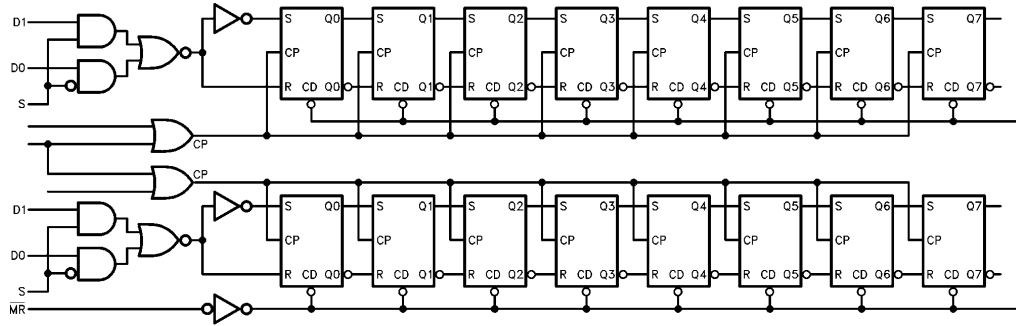
H = HIGH Voltage Level

L = LOW Voltage Level

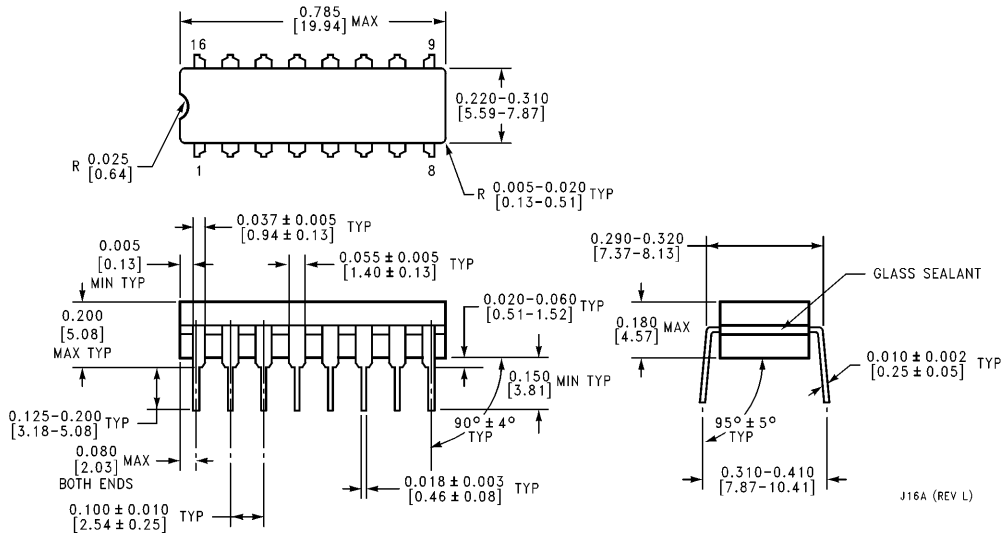
X = Immaterial

n + δ = indicates state after eight clock pulse

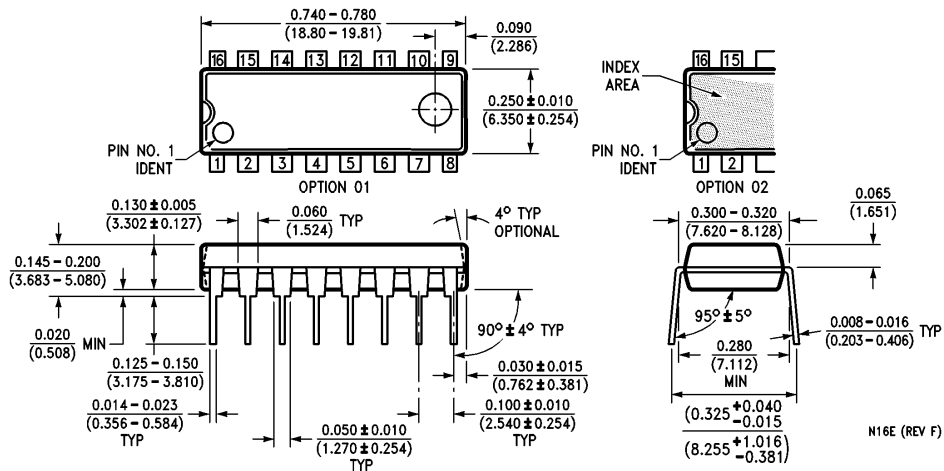
# Logic Diagram



**Physical Dimensions** inches (millimeters)

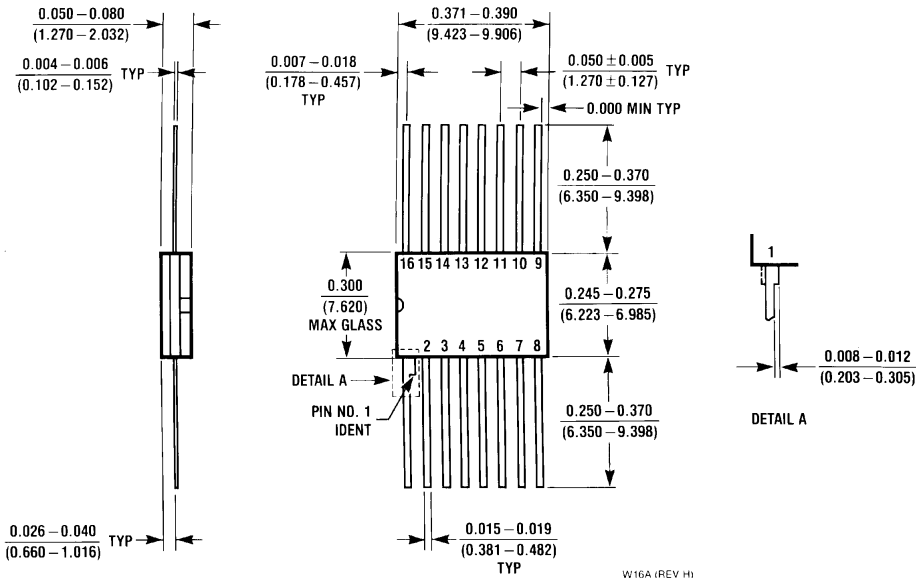


**16-Lead Ceramic Dual-In-Line Package (J)**  
**Order Number 9328DMQB**  
**NS Package Number J16A**



**16-Lead Molded Dual-In-Line Package (N)**  
**Order Number DM9328N**  
**NS Package Number N16E**

**Physical Dimensions** inches (millimeters) (Continued)



**16-Lead Ceramic Flat Package (W)**  
**Order Number 9328FMQB**  
**NS Package Number W16A**

**LIFE SUPPORT POLICY**

NATIONAL'S PRODUCTS ARE NOT AUTHORIZED FOR USE AS CRITICAL COMPONENTS IN LIFE SUPPORT DEVICES OR SYSTEMS WITHOUT THE EXPRESS WRITTEN APPROVAL OF THE PRESIDENT OF NATIONAL SEMICONDUCTOR CORPORATION. As used herein:

1. Life support devices or systems are devices or systems which, (a) are intended for surgical implant into the body, or (b) support or sustain life, and whose failure to perform, when properly used in accordance with instructions for use provided in the labeling, can be reasonably expected to result in a significant injury to the user.
2. A critical component is any component of a life support device or system whose failure to perform can be reasonably expected to cause the failure of the life support device or system, or to affect its safety or effectiveness.



**National Semiconductor Corporation**  
 1111 West Bardin Road  
 Arlington, TX 76017  
 Tel: 1(800) 272-9959  
 Fax: 1(800) 737-7018

**National Semiconductor Europe**  
 Fax: (+49) 0-180-530 85 86  
 Email: onjwge@tevm2.nsc.com  
 Deutsch Tel: (+49) 0-180-530 85 85  
 English Tel: (+49) 0-180-532 78 32  
 Français Tel: (+49) 0-180-532 93 58  
 Italiano Tel: (+49) 0-180-534 16 80

**National Semiconductor Hong Kong Ltd.**  
 13th Floor, Straight Block,  
 Ocean Centre, 5 Canton Rd.  
 Tsimshatsui, Kowloon  
 Hong Kong  
 Tel: (852) 2737-1600  
 Fax: (852) 2736-9960

**National Semiconductor Japan Ltd.**  
 Tel: 81-043-299-2309  
 Fax: 81-043-299-2408

National does not assume any responsibility for use of any circuitry described, no circuit patent licenses are implied and National reserves the right at any time without notice to change said circuitry and specifications.

This datasheet has been downloaded from:

[www.DatasheetCatalog.com](http://www.DatasheetCatalog.com)

Datasheets for electronic components.

# National Semiconductor was acquired by Texas Instruments.

[http://www.ti.com/corp/docs/investor\\_relations/pr\\_09\\_23\\_2011\\_national\\_semiconductor.html](http://www.ti.com/corp/docs/investor_relations/pr_09_23_2011_national_semiconductor.html)

This file is the datasheet for the following electronic components:

9328FMQB - <http://www.ti.com/product/9328fmqb?HQS=TI-null-null-dscatalog-df-pf-null-wwe>

9328DMQB - <http://www.ti.com/product/9328dmqb?HQS=TI-null-null-dscatalog-df-pf-null-wwe>



LittleDiode supplies new, hard to find or obsolete electronic components and semiconductors all over the world.

With over two million different components listed you are sure to find the part you need.

Feel free to visit us today at our online store:

[LittleDiode.com](http://LittleDiode.com)

Looking forward to providing you with the best possible service.