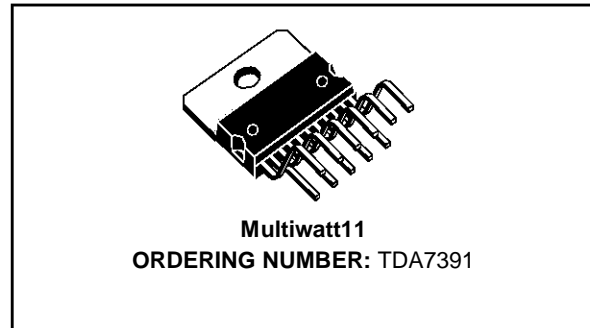


32W BRIDGE CAR RADIO AMPLIFIER

- HIGH POWER CAPABILITY:
 - 40W/3.2Ω EIAJ
 - 32W/3.2Ω @ $V_s = 14.4V$, $f = 1KHz$, $d = 10\%$
 - 26W/4Ω @ $V_s = 14.4V$, $f = 1KHz$, $d = 10\%$
- DIFFERENTIAL INPUTS (EITHER SINGLE ENDED OR DIFFERENTIAL INPUT SIGNAL ARE ACCEPTED)
- MINIMUM EXTERNAL COMPONENT COUNT:
 - NO BOOTSTRAP CAPACITORS
 - NO BOUCHEROT CELLS
 - INTERNALLY FIXED GAIN (30dB)
 - NO SVR CAPACITOR
- ST.-BY FUNCTION (CMOS COMPATIBLE)
- PROGRAMMABLE TURN-ON/OFF DELAY
- NO AUDIBLE POP DURING MUTE AND ST-BY OPERATIONS

PROTECTIONS:

- SHORT CIRCUIT (TO GND, TO V_s , ACROSS THE LOAD)
- VERY INDUCTIVE LOADS
- CHIP OVERTEMPERATURE
- LOAD DUMP
- OPEN GND
- ESD



DESCRIPTION

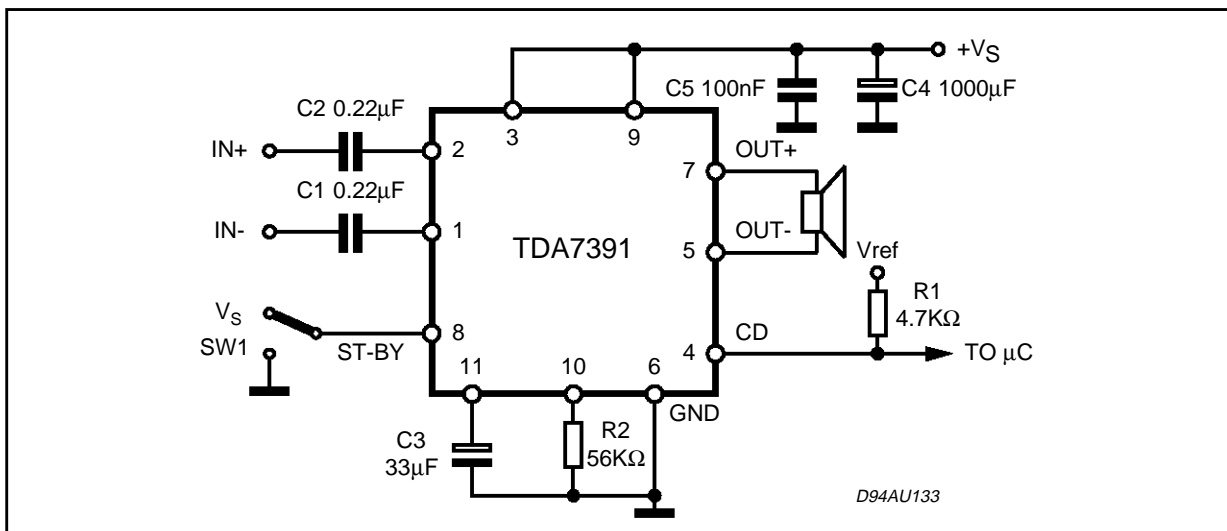
The TDA7391 is a BRIDGE class AB audio power amplifier specially intended for car radio High Power applications.

The high power capability together with the possibility to operate either in DIFFERENTIAL INPUT MODE or SINGLE ENDED INPUT MODE makes it suitable for boosters and high end car radio equipments.

The exclusive fully complementary output stage and the internal fixed gain configuration drop the external component count.

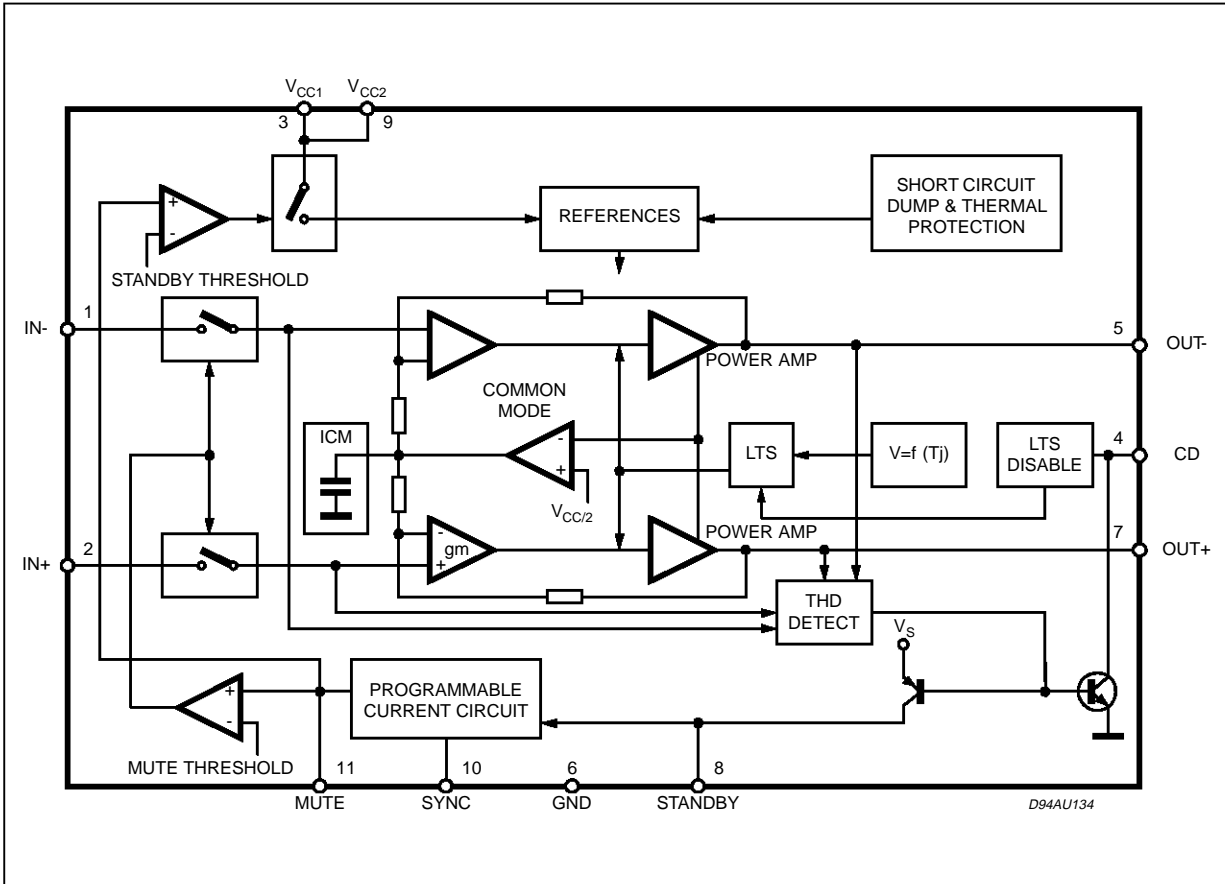
The on board clipping detector allows easy implementation of gain compression systems.

Figure 1: Test And Application Circuit

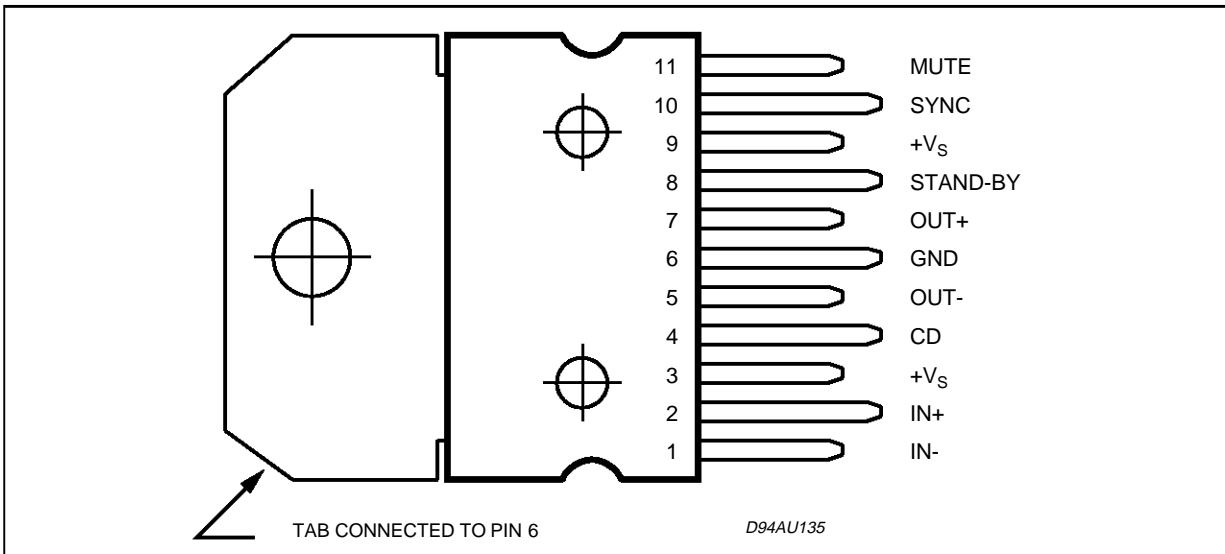


TDA7391

Figure 2: Block Diagram



PIN CONNECTION (Top view)



THERMAL DATA

Symbol	Description	Value	Unit
$R_{th\ j-case}$	Thermal Resistance Junction-case	Max	1.8 °C/W

ABSOLUTE MAXIMUM RATINGS

Symbol	Parameter	Value	Unit
V _S	DC Supply Voltage	28	V
V _{OP}	Operating Supply Voltage	18	V
V _{PEAK}	Peak Supply Voltage (t = 50ms)	50	V
I _O	Output Peak Current repetitive (f > 10Hz) Output Peak Current non repetitive	4.5 6	A A
P _{tot}	Power Dissipation (T _{CASE} = 85°C)	43	W
T _{stg} , T _j	Storage and Junction-Case Temperature	-40 to 150	°C

ELECTRICAL CHARACTERISTICS (V_S = 14.4V; R_L = 4Ω, f = 1KHz, T_{amb} = 25°C, unless otherwise specified)

Symbol	Parameter	Test Condition	Min.	Typ.	Max.	Unit
V _S	Supply Voltage Range		8		18	V
I _q	Total Quiescent Current			60	150	mA
V _{OS}	Output Offset Voltage				120	mV
I _{SB}	ST-BY Current	V _{ST-BY} = 1.5V			100	μA
I _{SBin}	ST-BY Input Bias Current	V _{ST-BY} = 5V			10	μA
V _{SBon}	ST-BY On Threshold Voltage				1.5	V
V _{SBoff}	ST-BY Off threshold Voltage		3.5			V
ATT _{ST-BY}	ST-BY Attenuation			90		dB
I _{M in}	Mute Input Bias Current	(V _{MUTE} = 5V)			10	μA
A _M	Mute Attenuation			90		dB
P _O	RMS Output Power	d = 10% d = 1% d = 10%; R _L = 3.2Ω	20	26 21 32		W W W
	EIAJ Output Power	V _S = 13.7V		40		W
d	Distortion	P _O = 0.1 to 15W		0.06		%
				0.03		%
G _V	Voltage Gain		29.5	30	30.5	dB
f _H	High Frequency rolloff	P _O = 1W; -3dB	75			KHz
R _{IN}	Input Impedance	Differential	36	60		KΩ
		Single Ended	30	55		KΩ
E _{IN}	Input Noise Voltage	R _g = 0Ω ; f = 22Hz to 22KHz		4		mV
CMRR	Input Common Mode Rejection	f = 1KHz; V _{IN} = 1Vrms		65		dB
SVR	Supply Voltage Rejection	R _g = 0Ω; V _r = 1Vrms		60		dB
CDL	Clipping Detection Level		5	10	15	%
T _{sd}	Absolute Thermal Shutdown Junction Temperature			160		°C

FUNCTIONAL DESCRIPTION

Pin	Function	Description
1, 2	INPUTS	The input stage is a high impedance type also capable of operation in single ended mode with one input capacitively coupled to the signal GND. The impedance seen by the inverting and non inverting input pins must be matched.
3,9	+Vs	Supply Voltage.
4	CD	The TDA7391 is equipped with a diagnostic circuitry able to detect the clipping in the Output Signal (distortion = 10%). The CD pin (open collector) gives out low level signal during clipping.
5, 7	OUTPUTS	The output stage is a bridge type able to drive loads as low as 3.2Ω. It consists of two class AB fully complementary PNP/NPN stages fully protected. A rail to rail output voltage swing is achieved without need of bootstrap capacitors. No external compensation is necessary.
6	GND	Ground.
8	STAND-BY	The device features a ST-BY function which shuts down all the internal bias supplies when the ST-BY pin is low. In ST-BY mode the amplifier sinks a small current (in the range of few μA). When the ST-BY pin is high the IC becomes fully operational.
10	SYNC	A resistor (R ₂) has to be connect between pin 10 and GND in order to program the current that flows in the C ₃ capacitor (pin 11). The values of C ₃ and R ₂ determine the time required to bias the amplifier.
11	MUTE	The pin will have a capacitor (C ₃) tied to GND to set the MUTE/STAND-BY time. An automatic Mute during turn on/off is provided to prevent noisy transients.

Figure 3: P.C. Board and Component Layout of the Fig. 1 (1:1 scale).

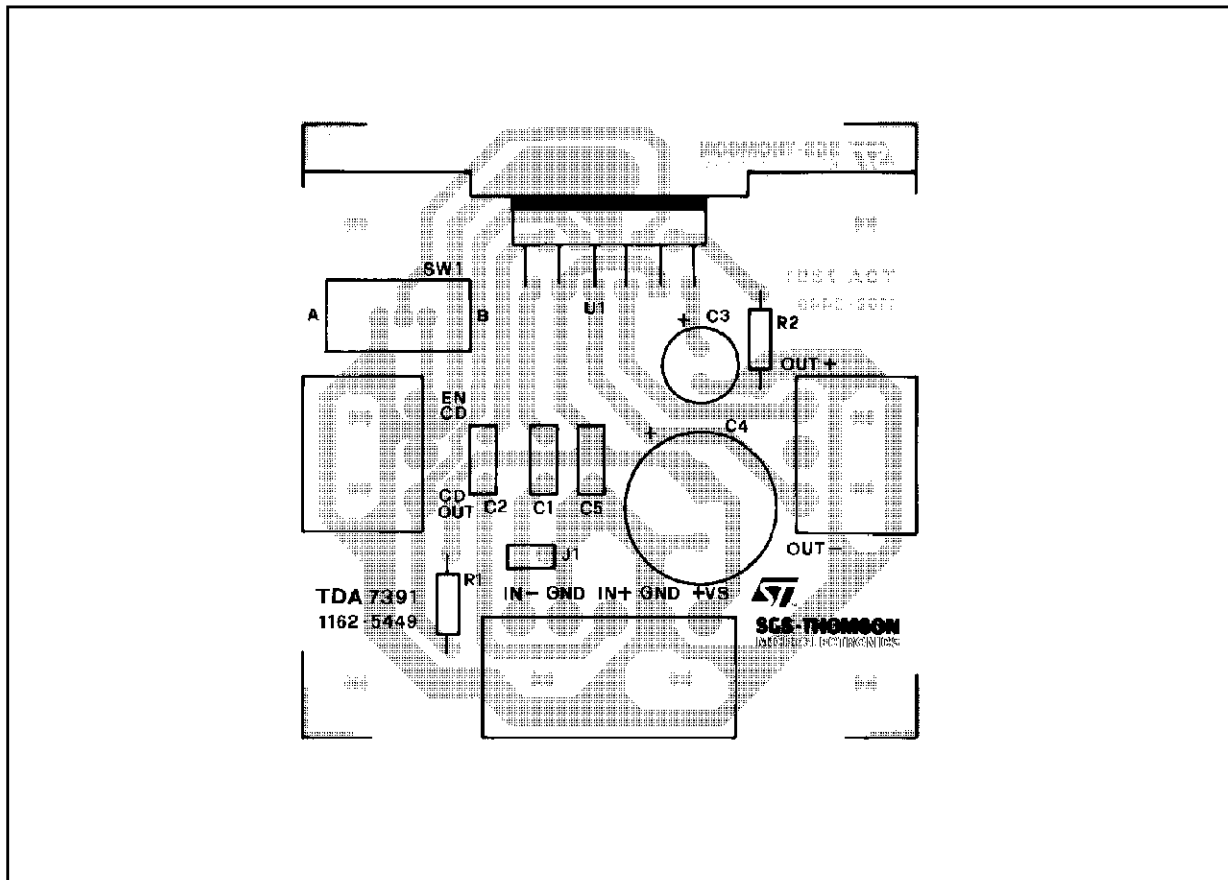


Figure 4: Quiescent Current vs Supply Voltage

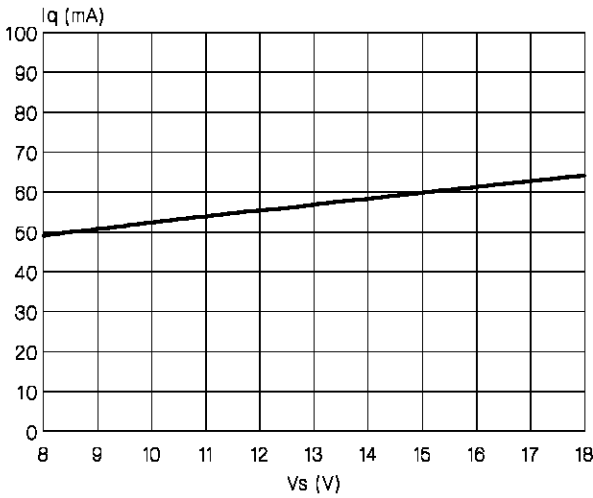


Figure 5: EIAJ power vs Supply Voltage

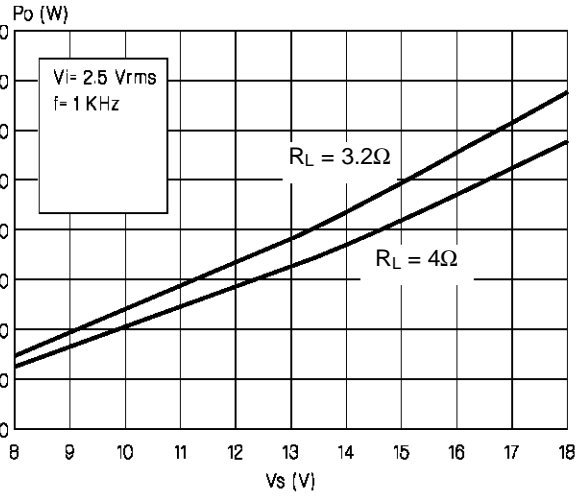


Figure 6: Output Power vs Supply Voltage (@ $R_L = 4\Omega$)

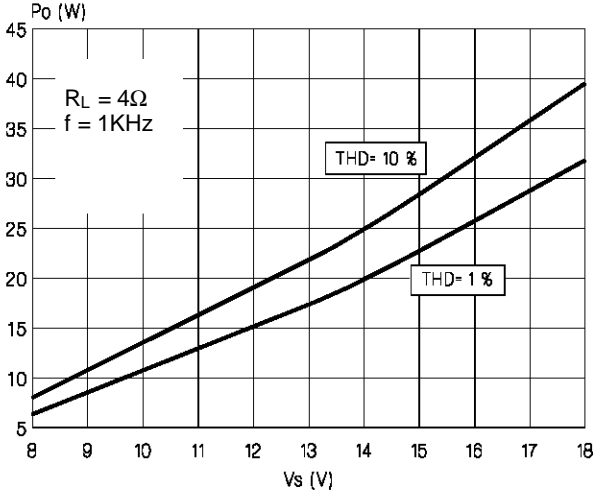


Figure 7: Distortion vs Frequency (@ $R_L = 4\Omega$)

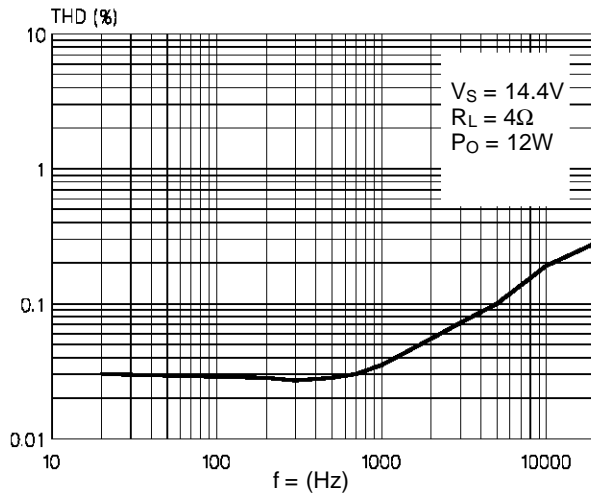


Figure 8: Output Power vs Supply Voltage (@ $R_L = 3.2\Omega$)

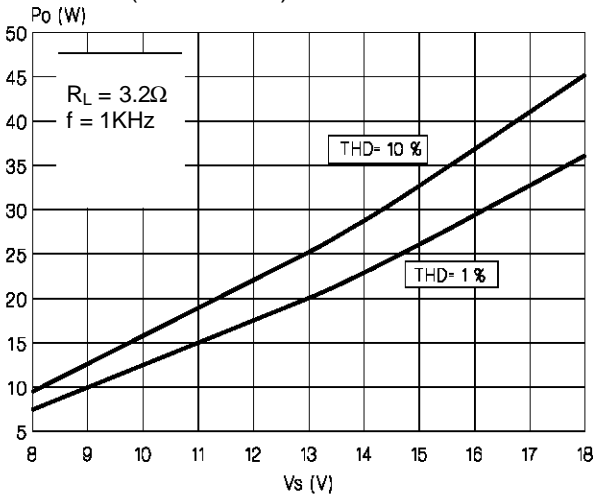


Figure 9: Distortion vs Frequency ($R_L = 4\Omega$)

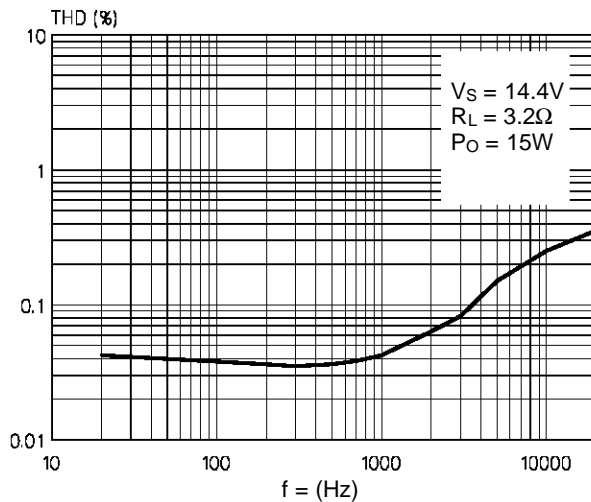


Figure 10: Supply Voltage Rejection vs Frequency

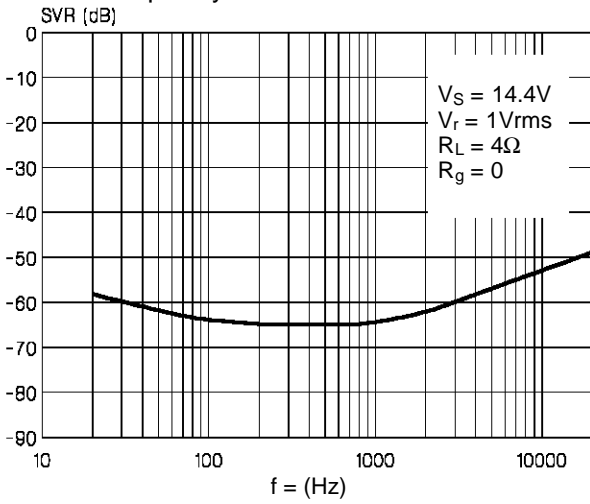


Figure 11: Common Mode Rejection vs. Frequency

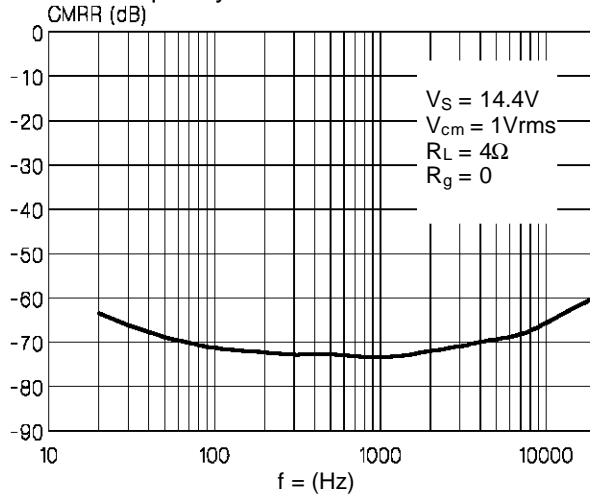


Figure 12: Total Power Dissipation & Efficiency vs. Output Power (@ $R_L = 4\Omega$)

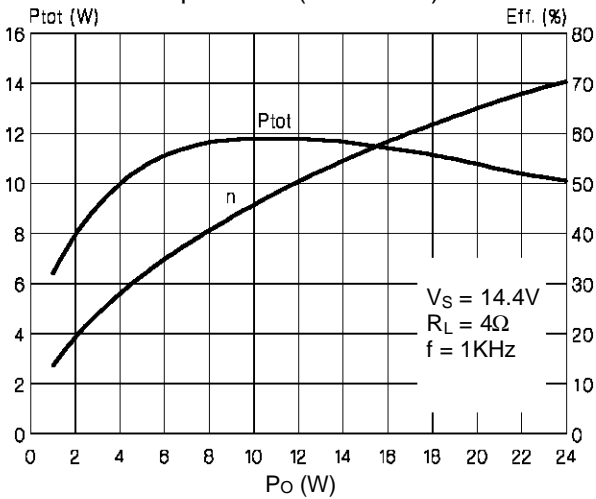
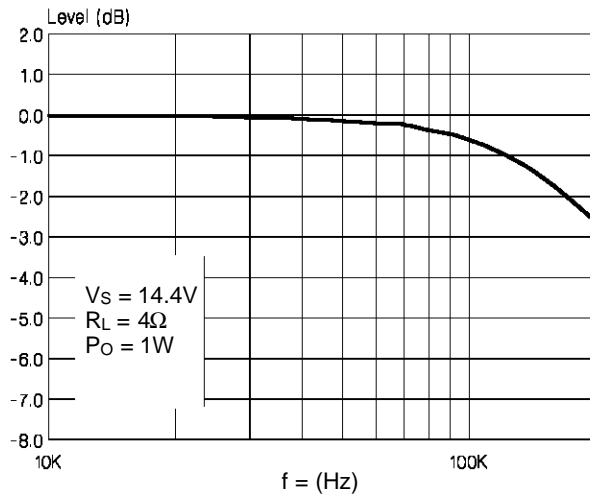
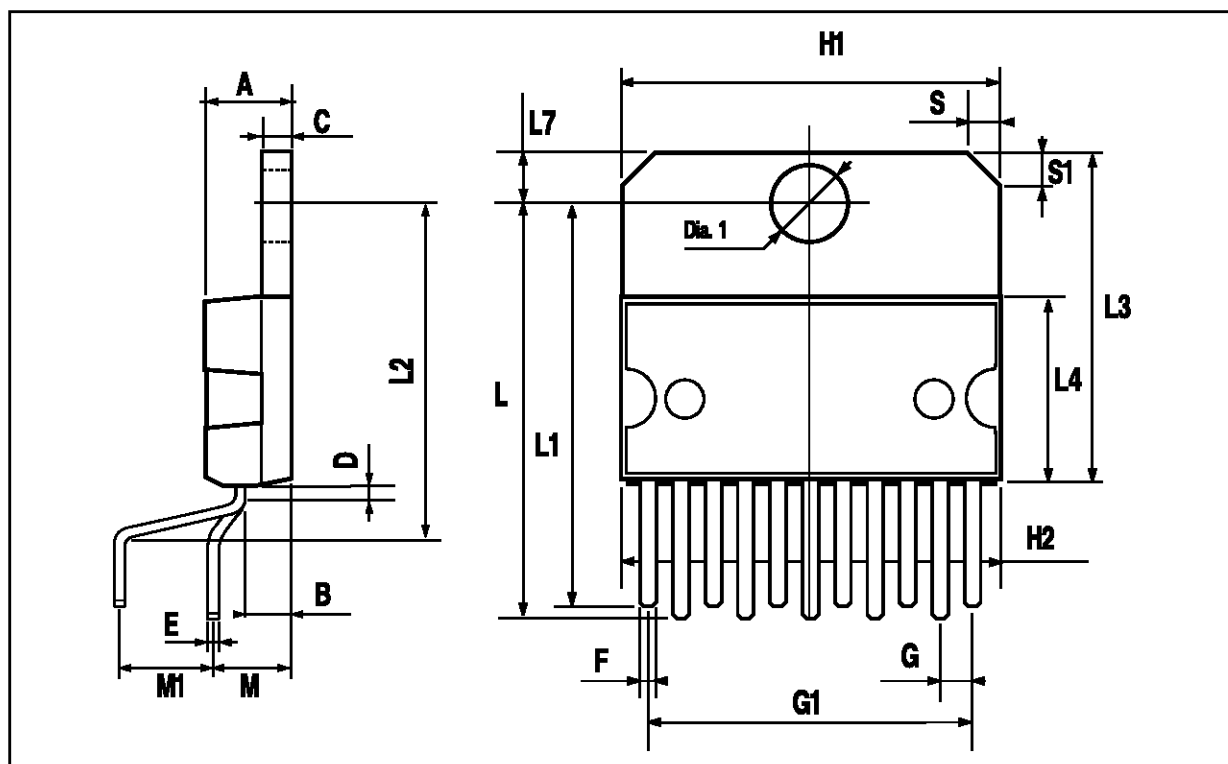


Figure 13: Power Bandwidth



MULTIWATT11 PACKAGE MECHANICAL DATA

DIM.	mm			inch		
	MIN.	TYP.	MAX.	MIN.	TYP.	MAX.
A			5			0.197
B			2.65			0.104
C			1.6			0.063
D		1			0.039	
E	0.49		0.55	0.019		0.022
F	0.88		0.95	0.035		0.037
G	1.57	1.7	1.83	0.062	0.067	0.072
G1	16.87	17	17.13	0.664	0.669	0.674
H1	19.6			0.772		
H2			20.2			0.795
L	21.5		22.3	0.846		0.878
L1	21.4		22.2	0.843		0.874
L2	17.4		18.1	0.685		0.713
L3	17.25	17.5	17.75	0.679	0.689	0.699
L4	10.3	10.7	10.9	0.406	0.421	0.429
L7	2.65		2.9	0.104		0.114
M	4.1	4.3	4.5	0.161	0.169	0.177
M1	4.88	5.08	5.3	0.192	0.200	0.209
S	1.9		2.6	0.075		0.102
S1	1.9		2.6	0.075		0.102
Dia1	3.65		3.85	0.144		0.152



Information furnished is believed to be accurate and reliable. However, SGS-THOMSON Microelectronics assumes no responsibility for the consequences of use of such information nor for any infringement of patents or other rights of third parties which may result from its use. No license is granted by implication or otherwise under any patent or patent rights of SGS-THOMSON Microelectronics. Specifications mentioned in this publication are subject to change without notice. This publication supersedes and replaces all information previously supplied. SGS-THOMSON Microelectronics products are not authorized for use as critical components in life support devices or systems without express written approval of SGS-THOMSON Microelectronics.

© 1995 SGS-THOMSON Microelectronics - All Rights Reserved
MULTIWATT® is a Registered Trademark of SGS-THOMSON Microelectronics

SGS-THOMSON Microelectronics GROUP OF COMPANIES
Australia - Brazil - France - Germany - Hong Kong - Italy - Japan - Korea - Malaysia - Malta - Morocco - The Netherlands - Singapore -
Spain - Sweden - Switzerland - Taiwan - Thailand - United Kingdom - U.S.A.