

DBL 1011

FM/AM IF SYSTEM

The DBL 1011 is a monolithic integrated circuit having the functions of FM/AM IF amplification and AF Detection.

□ FEATURES

- Operating supply voltage range :
 $V_{CC} = 3V \sim 8V$
- Low supply current: AM = 7mA(Typ.)
 FM = 10mA(Typ.)
- Few external parts counts
- Excellent tweed
- Low overload distortion
- Built-in regulator
- Built-in FM/AM mode switch
- Tuning indicator LED driving capability
- Common output for FM/AM

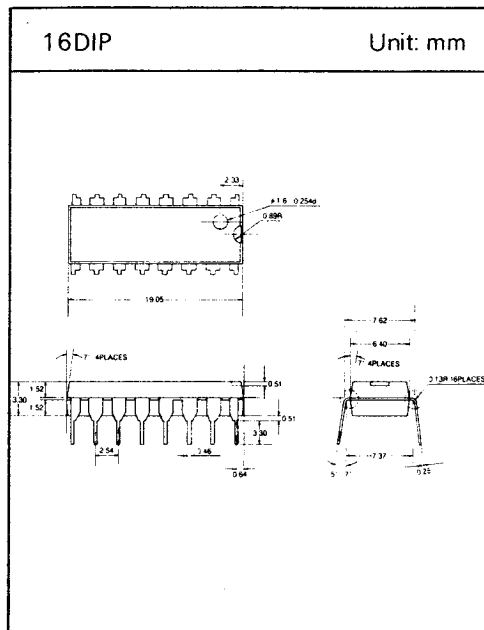
□ APPLICATIONS

- FM/AM portable radio
- Cassette recorder with radio

□ MAXIMUM RATINGS

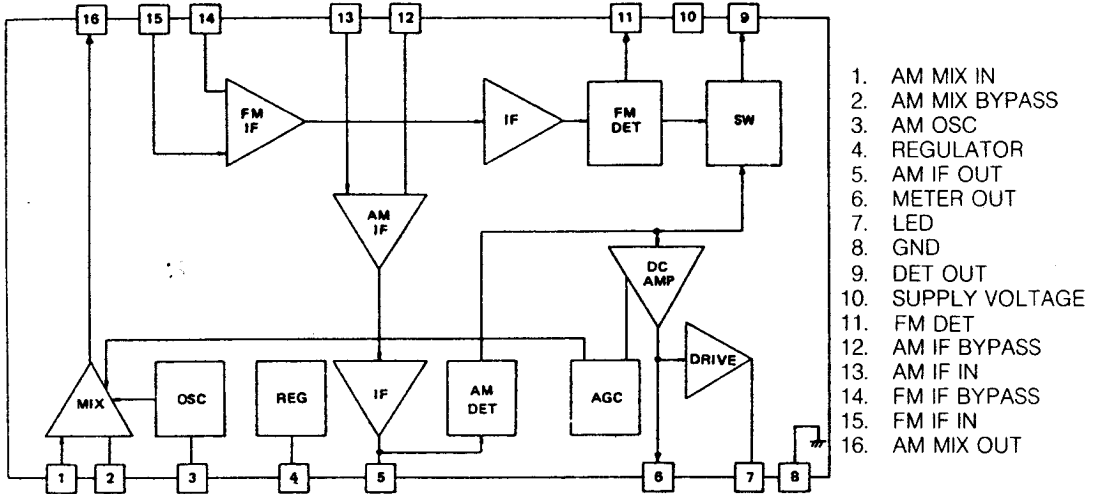
Characteristic	Symbol	Rating	Unit
Supply Voltage	V_{CC}	8	V
Power Dissipation(*)	P_D	750	mW
Operating Temperature	T_{opr}	-25 ~ +75	°C
Storage Temperature	T_{stg}	-55 ~ +150	°C
Lamp Current	I_{LAMP}	10	mA

*Derated above $T_a = 25^\circ C$ in the proportion of 6mW/°C

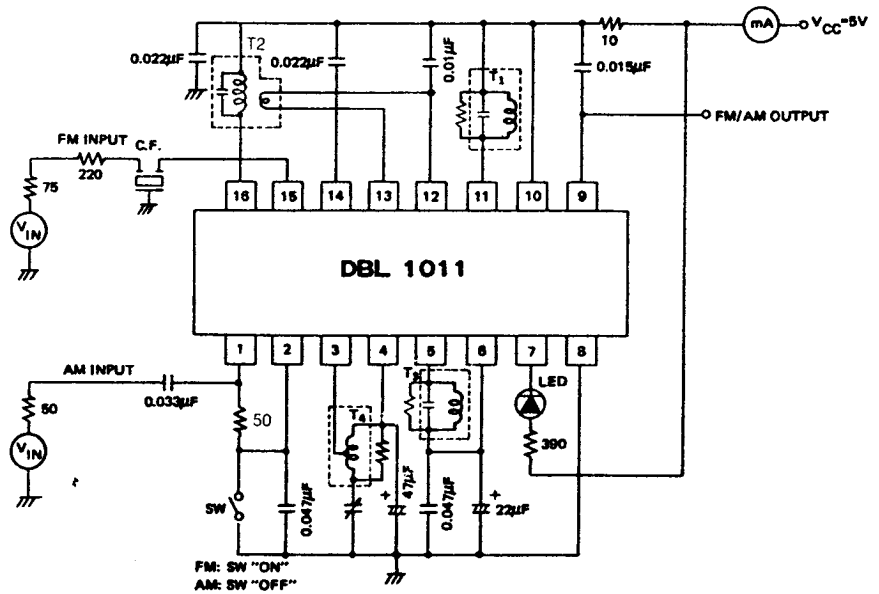


DBL 1011

□ BLOCK DIAGRAM



□ TEST CIRCUIT



DBL 1011

□ ELECTRICAL DC CHARACTERISTICS

(Pin voltage at $V_{CC} = 5V$ and no signal)

Pin No.	Typ.		Unit	Pin No.	Typ.		Unit
	AM	FM			AM	FM	
1	1.5	0	V	9	1.4	1.5	V
2	1.5	0	V	10	5	5	V
3	2.3	2.3	V	11	5	5	V
4	2.3	2.3	V	12	1.5	1.5	V
5	1	0.9	V	13	1.5	1.5	V
6	1	0.9	V	14	1.5	1.5	V
7	—	—	V	15	1.5	1.5	V
8	0	0	V	16	5	5	V

□ ELECTRICAL AC CHARACTERISTICS

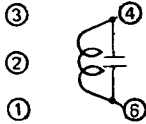
(Unless otherwise specified, $T_a = 25^\circ C$, $V_{CC} = 5V$, FM : $f = 10.7MHz$, $\Delta f = \pm 22.5KHz$, $f_m = 400Hz$)

AM : $f = 1MHz$, Modulation = 30%, $f_m = 400Hz$)

Characterisicts		Symbol	Test Condition	Min.	Typ.	Max.	Unit
F M	Quiescent Current	I_{CCQ}	—	—	10	15	mA
	Input Limiting Sensitivity	$V_{IN(lim)}$	-3dB Limiting	—	40	46	dB μ
	Signal to Noise Ratio	S/N	$V_{IN} = 80dB\mu V$	—	65	—	dB
	Recovered Output Voltage	V_{OD}	$V_{IN} = 66dB\mu V$	57	85	114	mVrms
	Total Harmonic Distortion	THD	$V_{IN} = 80dB\mu V$	—	0.05	—	%
	Meter Drive Voltage	V_M	$V_{IN} = 100dB\mu V$	1.6	1.75	1.9	V
	Lamp ON Sensitivity	V_{LAMP}	$I_{LAMP} = 1mA$	—	46	52	dB μ
	AM Rejection Ratio	AMR	$V_{IN} = 80dB\mu V$	—	38	—	dB
A M	Quiescent Current	I_{CCO}	—	—	7	10	mA
	Voltage Gain	G_V	$V_{IN} = 26dB\mu V$	20	30	60	mVrms
	Signal to Noise Ratio	S/N	$V_{IN} = 60dB\mu V$	—	47	—	dB
	Recovered Output Voltage	V_{OD}	$V_{IN} = 60dB\mu V$	65	95	125	mVrms
	Total Harmonic Distortion	THD	$V_{IN} = 60dB\mu V$	—	1	—	%
	Meter Drive Voltage	V_M	$V_{IN} = 100dB\mu V$	1.6	1.75	1.9	V
	Lamp ON Sensitivity	V_{LAMP}	$I_{LAMP} = 1mA$	—	32	—	dB μ
	Local OSC Stop Voltage	V_{LAMP}	$R_{DUMP} = \infty$	—	1.5	—	K Ω
Pin 9 Output Resistance		R_{O9}	$f = 1KHz$	—	3	—	K Ω

COIL DATA(for test circuit)

1. FM Detector Coil(T₁)

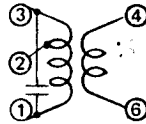


Bottom View

Item	C _O (pF)	f(MHz)	Q _O	Turns
Pin No.	4-6	—	4-6	4-6
Value	47	10.7	150	14

Wire : 0.12mm φ

2. AM Mix. Output Coil(T₂)

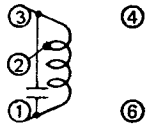


Bottom View

Item	C _O (pF)	f(KHz)	Q _O	Turns		
Pin No.	1-3	—	1-3	1-2	2-3	4-6
Value	180	455	110	90	62	8

Wire : 0.07mm φ

3. AM Detector Coil(T₃)

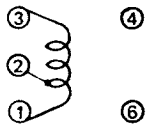


Bottom View

Item	C _O (pF)	f(KHz)	Q _O	Turns
Pin No.	1-3	—	1-3	1-3
Value	180	455	110	152

Wire : 0.07mm φ

4. AM Oscillator Coil(T₄)



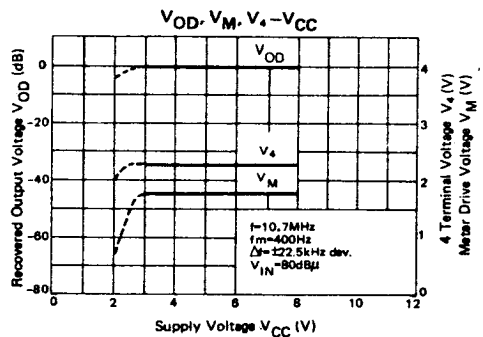
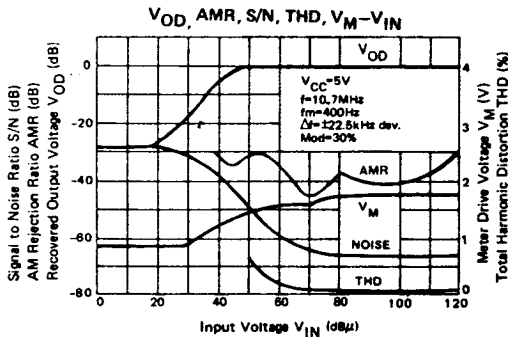
Bottom View

Item	L(μH)	f(KHz)	Q _O	Turns	
Pin No.	1-3	—	1-3	1-2	2-3
Value	288	796	120	13	75

Wire : 0.08mm φ

TYPICAL PERFORMANCE CHARACTERISTICS(0dB = 85mVrms)

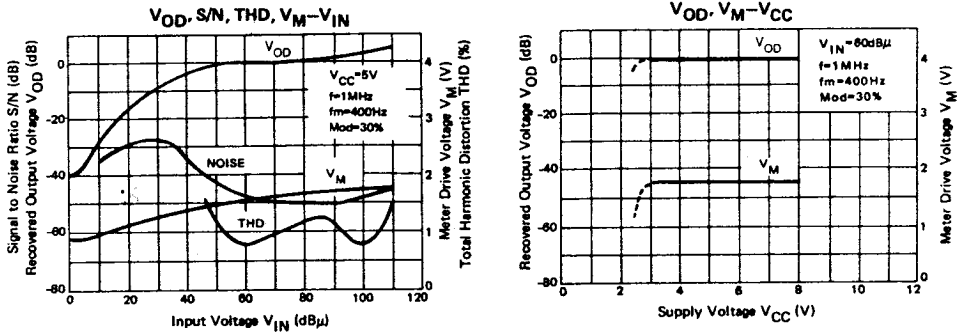
1. FM Characteristics



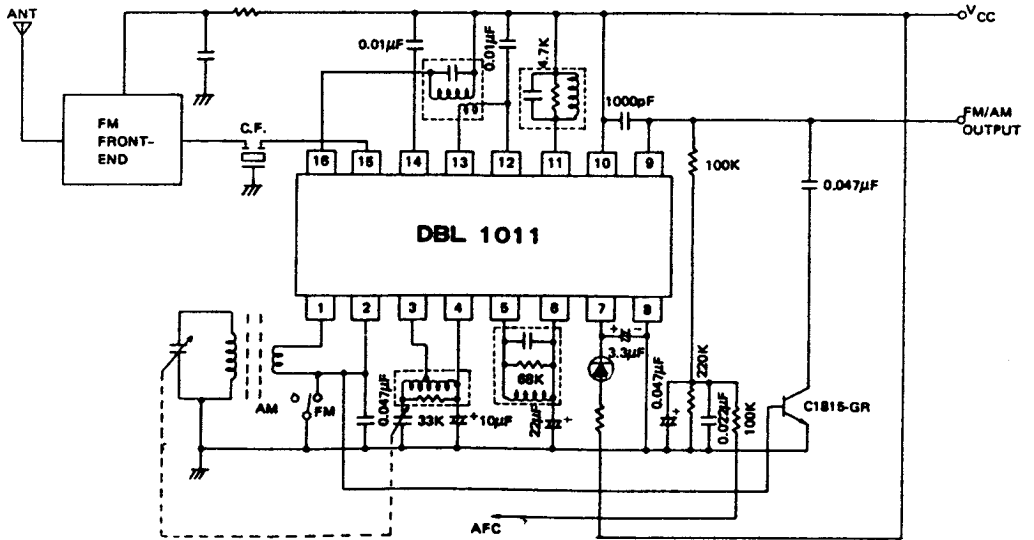
DBL 1011

TYPICAL PERFORMANCE CHARACTERISTICS(continued)

2. AM Characteristics



APPLICATION CIRCUIT





LittleDiode supplies new, hard to find or obsolete electronic components and semiconductors all over the world.

With over two million different components listed you are sure to find the part you need.

Feel free to visit us today at our online store:

LittleDiode.com

Looking forward to providing you with the best possible service.