

FEATURES

Complete Single Chip Programmable Digital Baseband Processor divided into three main subsystems:

Control Processor Subsystem including:

32-bit MCU ARM7TDMI[®] Control Processor
On-chip Zero-wait-state System SRAM

DSP Subsystem including

16-bit Fixed Point DSP Processor
Data and Program SRAM
Program Instruction Cache
Full Rate, Enhanced Full Rate and Half Rate
Speech Encoding/Decoding

Peripheral Subsystem including

Shared Peripheral Bus and Interface
Peripherals

Peripheral Functions

Parallel and Serial Display Interface
Keypad Interface
FLASH Memory Interface
1.8V and 3.0V, 64 kbps SIM Interface
Universal System Connector Interface
Baseband Converter Interface
Data Services Interface

Control of Radio Subsystem

Three independent programmable backlight outputs
Real Time Clock with Alarm
Programmable Power Management and Clock
Management
Supports 13 MHz and 26 MHz Input Clocks
Slow Clocking Scheme for Low Idle Mode Current
Power Down modes
On-chip support for GSM Data Services up to
14.4 kbits/sec, Class 12 GPRS, HSCSD
JTAG Interface for Test and In-Circuit Emulation
1.8V Typical Operating Voltage
Operating Voltage Range 1.7V - 1.9V
Independent I/O and Memory Voltages
160-Ball LFBGA (mini-BGA) package

APPLICATIONS

GSM850/900/DCS1800/PCS1900 Wireless Terminals
GSM Phase 2 & GPRS Compliant

ARM[®] and ARM7TDMI[®] are registered trademarks of ARM Limited
SoftFone[®] is a trademark of Analog Devices, Inc.

Rev. PrA

This Information applies to a product under development. Its characteristics and specifications are subject to change without notice. Analog Devices assumes no obligation regarding future manufacture unless otherwise agreed to in writing. No responsibility is assumed by Analog Devices for its use, nor for any infringements of patents or other rights of third parties that may result from its use. No license is granted by implication or otherwise under any patent or patent rights of Analog Devices.

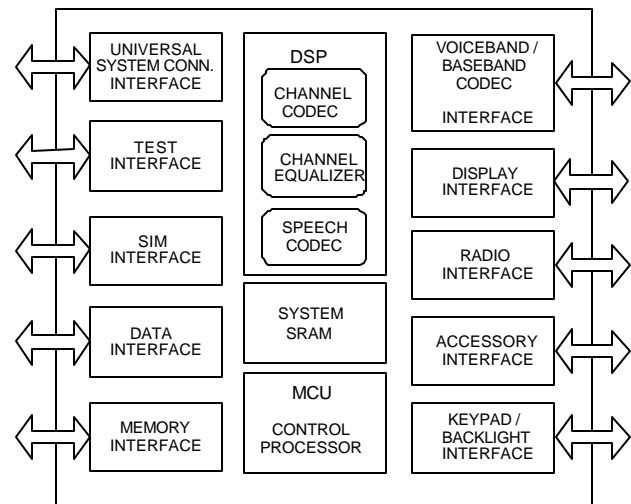


FIGURE 1. AD6526 FUNCTIONAL BLOCK DIAGRAM

GENERAL DESCRIPTION

The AD6526 is the second device, after the AD6522, of the Analog Devices AD20msp430 series of SoftFone[®] GSM Baseband Processors. The AD6526 provides a competitive solution for GSM/GPRS terminal designs. It is designed to be fully integrated, easy to use, and compatible with GSM900, DCS1800 and PCS1900 handsets as well as direct PC data interface. No external SRAM is needed in most applications.

The AD6526 integrates full rate, enhanced full rate and half rate speech codecs as well as a full range of data services including circuit-switched 14.4 kb/s, GPRS to Class 12, and HSCSD. In addition, it supports both A5/1 and A5/2 encryption algorithms as well as operation in non-encrypted mode.

The highly programmable architecture and sophisticated internal communication channels of the AD6526 offer maximum flexibility to system designers. It can adapt to tighter requirements led by changes in standards and end-market feature set requirements.

A complete data sheet is available under Non-Disclosure Agreement to pre-qualified developers of GSM/GPRS terminal equipment. Contact your local Analog Devices Sales Office.



LittleDiode supplies new, hard to find or obsolete electronic components and semiconductors all over the world.

With over two million different components listed you are sure to find the part you need.

Feel free to visit us today at our online store:

LittleDiode.com

Looking forward to providing you with the best possible service.