

FEATURES

- 8-Bit A/D Converter
- Two 8-Bit D/A Converters
- Two 8-Bit Serial D/A Converters
- Single +5 V Supply Operation
- On-Chip Reference
- Power-Down Mode
- 52-Lead PQFP Package

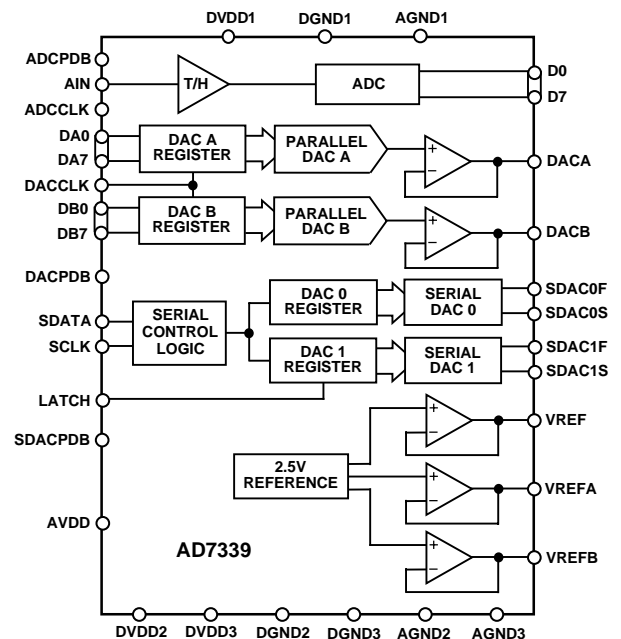
GENERAL DESCRIPTION

The AD7339 is a composite IC that contains both DAC and ADC functions. The device includes an 8-bit parallel A-to-D converter. Two 8-bit parallel DACs are also included as are two serial control DACs. These serial DACs are 8-bit DACs.

The AD7339, which operates with a single 5 V power supply, has a bandgap reference on board with a nominal value of 2.5 V. To reduce the power consumption of the part, each section, except the reference, can be individually powered down when not in use.

The AD7339 is available in a 52-lead PQFP package.

FUNCTIONAL BLOCK DIAGRAM



REV. 0

Information furnished by Analog Devices is believed to be accurate and reliable. However, no responsibility is assumed by Analog Devices for its use, nor for any infringements of patents or other rights of third parties which may result from its use. No license is granted by implication or otherwise under any patent or patent rights of Analog Devices.

AD7339—SPECIFICATIONS¹ (AVDD = DVDD = +5 V ± 10%, AGND = DGND = 0 V, T_A = T_{MIN} to T_{MAX}, unless otherwise noted)

Parameter	B Version	Units	Test Conditions/Comments
ADC			ADCCLK = 2.048 MHz
Resolution	8	Bits	8 Bits Monotonic
Differential Nonlinearity	±1	LSB max	
Integral Nonlinearity	±1	LSB max	The input must be biased about 1.4 V. Therefore, ac coupling with a 1 nF capacitor is needed if the bias voltage does not equal 1.4 V. The input should be driven with a maximum source impedance of 50 Ω.
Zero Input Offset Error	±3	LSB	
Signal Range	±1	V max	
Full Power Input Bandwidth	1.024	MHz	See Terminology
Conversion Rate	2.048	MSPS	
Signal to (Noise + Distortion)	42.7	dB min	See Terminology
Effective No. of Bits (ENOB)	6.8	Bits min	
Intermodulation Distortion	48	dB min	
Error Rate	4.7 × 10 ¹¹		
Input Capacitance	5	pF max	
Coding	Offset Binary		00H to FFH with 80H = 0 V
PARALLEL DACS			DACCLK = 2.304 MHz
Resolution	8	Bits	8 Bits Monotonic
Differential Nonlinearity	±1	LSB max	
Integral Nonlinearity	±1	LSB max	VREFA/B means VREFA for DACA and VREFB for DACB.
Output Signal Range	V _{BIAS} ± V _{SWING}	V nom	
V _{SWING}	14/25 × VREFA/B	V nom	Factory Trim. Does Not Include Gain Error
V _{BIAS}	VREFA/B	V nom	
Update Rate	2.304	MHz max	For a Full-Scale Digital Sine Wave in Band 0 kHz to 76.8 kHz For a Full-Scale Digital Sine Wave in Band 0 kHz to 128 kHz
Bipolar Zero Offset Error	±40	mV max	
Gain Error	±5	% typ	For Amplitudes Which Equal Full Scale -10 dB 1.8 kΩ Load Between DACA and VREFA, and Between DACB and VREFB
Output Harmonic Content in Band 0 MHz to 1.152 MHz	50	dB min	
Gain Matching Between DACs	46	dB min	A Channel has a full-scale output of frequency 128 kHz. B Channel has a full-scale output of frequency 128 kHz. A Channel has a full-scale output of frequency 128 kHz. B Channel has a full-scale output of frequency 128 kHz. Connected Between DACA/B and VREFA/B
Crosstalk	0.2	dB	
To B Channel from A Channel	55	dB min	A Channel has a full-scale output of frequency 128 kHz. B Channel has a full-scale output of frequency 128 kHz.
To A Channel from B Channel	55	dB min	
To VREFB from A Channel	55	dB min	A Channel has a full-scale output of frequency 128 kHz. B Channel has a full-scale output of frequency 128 kHz.
To VREFA from B Channel	55	dB min	
Load Resistance	1.8	kΩ min	
Load Capacitance	50	pF max	
Full-Scale Settling Time	4	μs typ	
Coding	Offset Binary		00H to FFH with 80H = Bias Voltage
SERIAL DACS			SCLK is a gated 256 kHz clock.
Resolution	8	Bits	8 Bits Monotonic With Respect to Full Scale See Figure 1
Differential Nonlinearity	±1	LSB	
Integral Nonlinearity	±1.5	LSB	When AVDD > 5.247 V, the analog output will equal 2 VREF.
Output Range			
00H	0.2	V max	
FFH	AVDD - 0.247	V min	
Update Rate	SCLK/10	kHz max	
Load Resistance	20	kΩ max	
Load Capacitance	100	pF max	
I _{SINK}	1	mA typ	
I _{SOURCE}	100	μA typ	
Full-Scale Settling Time	2.5	μs typ	
Coding	Straight Binary		

Parameter	B Version	Units	Test Conditions/Comments
REFERENCE			
VREF Voltage	$2.5 \pm 2\%$	V min/max	Each reference output must have a load capacitance of 100 pF minimum for compensation purposes.
VREFA/VREFB Voltage	$2.5 \pm 5\%$	V min/max	
Load Capacitance	0.1	μF max	
I _{SINK}	1	mA max	
I _{SOURCE}	1	mA max	
LOGIC INPUTS			
V _{INH} , Input High Voltage	DVDD – 0.8	V min	
V _{INL} , Input Low Voltage	0.8	V max	
I _{INH} , Input Leakage Current	10	μA max	
C _{IN} , Input Capacitance	15	pF max	
LOGIC OUTPUTS			
V _{OH} , Output High Voltage	DVDD – 0.4	V min	I _{OUT} ≤ 1 mA
V _{OL} , Output Low Voltage	0.4	V max	I _{OUT} ≤ 2 mA
C _{OUT} , Output Capacitance	15	pF max	
POWER SUPPLIES			
AVDD, DVDD	4.5/5.5	V min/max	Active Mode +25°C. No Load on VREF –40°C to +85°C. No Load on VREF
I _{DD}	45	mA max	
Power-Down Current	4.5	mA max	
	5	mA max	

NOTES

¹Operating temperature range is as follows: B Version; –40°C to +85°C.

Specifications subject to change without notice.

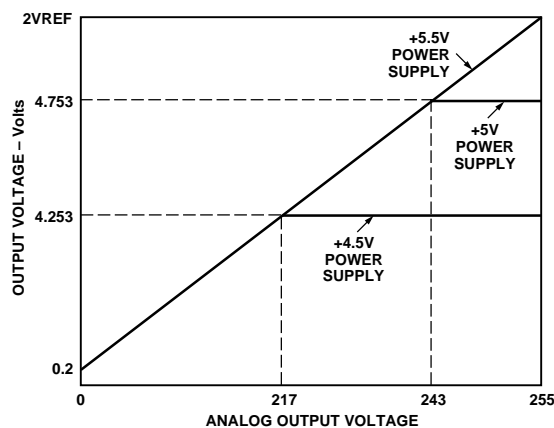


Figure 1. Analog Output Voltage from Serial DACs vs. Power Supply

AD7339

TIMING CHARACTERISTICS (AVDD = +5 V ± 10%; AGND = DGND = 0 V; T_A = T_{MIN} to T_{MAX}, unless otherwise noted)

Parameter	Limit at T _A = -40°C to +85°C	Units	Description
ADC			See Figure 3.
t ₁	480	ns min	ADCCLK Period
t ₂	210	ns min	ADCCLK Width Low
t ₃	210	ns min	ADCCLK Width High
t ₄	100	ns min	Data Valid After Falling Edge of ADCCLK
t ₅	200	ns min	Data Valid Before Subsequent Falling Edge of ADCCLK
PARALLEL DACS			See Figure 4.
t ₆	430	ns min	DACCLK Period
t ₇	200	ns min	DACCLK Width Low
t ₈	200	ns min	DACCLK Width High
t ₉	130	ns min	Data Setup Before DACCLK Rising Edge Time
t ₁₀	50	ns min	Data Hold After DACCLK Rising Edge Time
t ₁₁	150	ns max	Propagation Delay
t ₁₂	250	ns max	Settling Time (from 10% to 90%)
SERIAL DACS			See Figure 5.
t ₁₃	3.9	μs min	SCLK Period
t ₁₄	1.94	μs min	SCLK Width Low
t ₁₅	1.94	μs min	SCLK Width High
t ₁₆	950	ns min	Data Setup Before SCLK Rising Edge
t ₁₇	950	ns min	Latch Enable Setup Time After SCLK Falling Edge
t ₁₈	480	ns min	LATCH Pulsewidth
t ₁₉	100	μs max	Conversion Delay

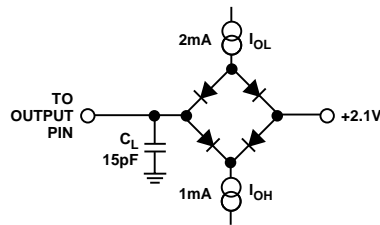


Figure 2. Load Circuit for Timing Specifications

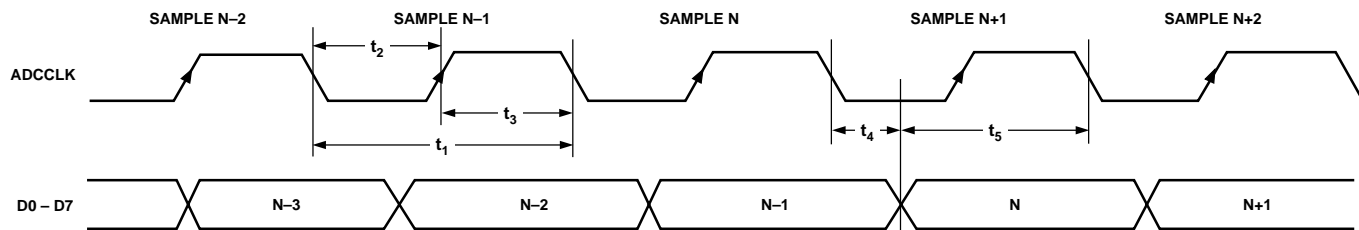


Figure 3. ADC Timing

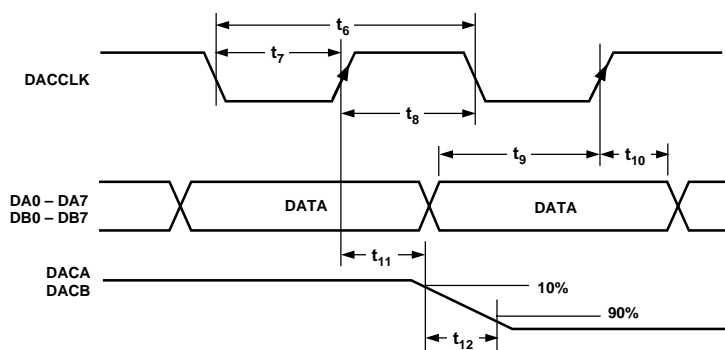


Figure 4. Parallel DACs Timing

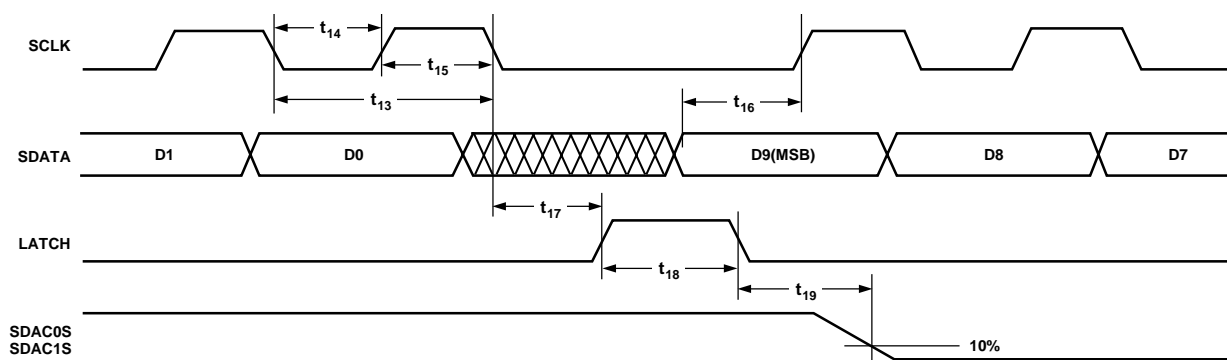


Figure 5. Serial DACs Timing

AD7339

ABSOLUTE MAXIMUM RATINGS¹

(T_A = +25°C unless otherwise noted)

AVDD, DVDD to GND	−0.3 V to +7 V
AGND to DGND	−0.3 V to +0.3 V
Digital I/O Voltage to DGND	−0.3 V to VDD + 0.3 V
ADC Analog Input Voltage	±2 V
Input/Output Current at any Pin Except Supplies ²	20 mA
Operating Temperature Range	
Industrial (B Version)	−40°C to +85°C
Storage Temperature Range	−65°C to +150°C
Maximum Junction Temperature	+150°C
PQFP, θ _{JA} Thermal Impedance	90°C/W
Lead Temperature, Soldering	
Vapor Phase (60 sec)	+215°C
Infrared (15 sec)	+220°C

NOTES

¹Stresses above those listed under Absolute Maximum Ratings may cause permanent damage to the device. This is a stress rating only; functional operation of the device at these or any other conditions above those listed in the operational sections of this specification is not implied. Exposure to absolute maximum rating conditions for extended periods may affect device reliability.

²Transient currents of up to 100 mA will not cause SCR latchup.

ORDERING GUIDE

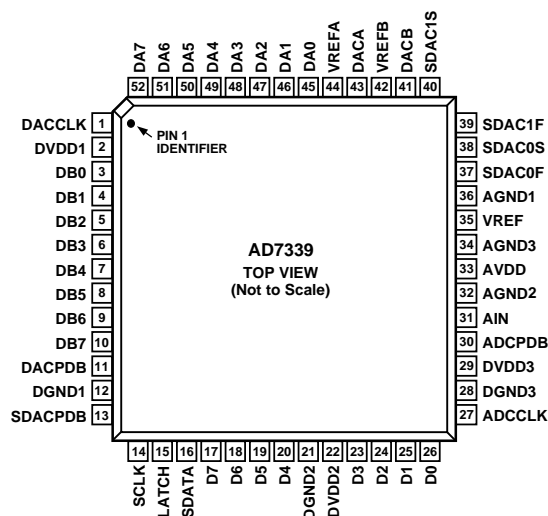
Model	Temperature Range	Package Description	Package Option
AD7339BS	−40°C to +85°C	Plastic Quad Flatpack (PQFP)	S-52

CAUTION

ESD (electrostatic discharge) sensitive device. Electrostatic charges as high as 4000 V readily accumulate on the human body and test equipment and can discharge without detection. Although this device features proprietary ESD protection circuitry, permanent damage may occur on devices subjected to high energy electrostatic discharges. Therefore, proper ESD precautions are recommended to avoid performance degradation or loss of functionality.



PIN CONFIGURATION



PIN FUNCTION DESCRIPTIONS

Pin Number	Mnemonic	Function
Power Supply		
33	AVDD	Analog power supply connection.
2	DVDD1	Digital power supply for the parallel DACs.
12	DGND1	Digital ground connection for the parallel DACs.
36	AGND1	Analog ground connection for the parallel DACs.
22	DVDD2	Digital power supply for the ADC.
29	DVDD3	Digital power supply for the ADC.
21	DGND2	Digital ground connection for the ADC.
28	DGND3	Digital ground connection for the ADC.
32	AGND2	Analog ground connection for the ADC.
34	AGND3	Analog ground connection for the reference.
ADCs		
31	AIN	Analog input to the ADC. The analog input must be appropriately ac coupled. The AD7339 can accept an analog input of ± 1 V maximum.
27	ADCCLK	ADC Input Clock, CMOS Logic Input. The analog input is sampled on the rising edge of ADCCLK. ADCCLK is nominally set to 2.048 MHz.
26–23, 20–17	D0–D7	Digital Output from the ADC. The 8-bit digital word from the ADC is in offset binary. The digital output uses CMOS logic.
30	ADCPDB	Digital Input. When ADCPDB is low, the ADC is powered down. While in this mode, ADCCLK should be tied low. The ADC is powered up by taking ADCPDB high.
Parallel DACs		
45–52	DA0–DA7	Digital input to the parallel A DAC. The digital input uses CMOS logic and the word is presented to the DAC in offset binary format.
3–10	DB0–DB7	Digital input to the parallel B DAC. The digital input uses CMOS logic and the word is presented to the DAC in offset binary format.
1	DACCLK	Input clock to the parallel DACs. The digital words in the A and B DAC registers are loaded into the DACs on the rising edge of DACCLK. DACCLK has a nominal frequency of 2.304 MHz and uses CMOS logic.
43, 41	DACA, DACB	Analog outputs from the A and B DACs. Both DACs have an analog output of $VREFA/VREFB \pm X$ volts where $VREFA = VREFB = 2.5$ V nominal and $X = 1.4$ V.

AD7339

Pin Number	Mnemonic	Function
11	DACPDB	Digital Input. The parallel DACs, VREFA and VREFB, can be powered down using pin DACPDB. When DACPDB is low, both of the parallel DACs and the VREFA/VREFB outputs are placed in a standby mode, drawing a minimal current. The reference, which is available on the VREF pin, is not powered down.
Serial DACs		
16	SDATA	Serial Input Data. Serial data is latched into the AD7339 registers on the rising edge of SCLK. The digital data uses CMOS logic. Data is loaded into the latches in 10-bit bursts (MSB first), the 2 MSBs of the word indicating the DAC to which the digital word is being loaded while the 8 LSBs contain the digital word being loaded into the DAC. The serial DACs use offset binary.
14	SCLK	Serial Input Clock. Data is latched into the registers on the rising edge of SCLK, which is nominally set to 256 kHz. SCLK is a gated clock—the clock should be active only when data is being loaded into the latches. The clock should idle low between conversions.
15	LATCH	Latch Enable Input. LATCH is used to load the digital data from the latch into the DAC and begin conversion. Both DACs are loaded with the digital data in their respective latches. LATCH is pulsed high to load the DACs, the DACs being loaded on the rising edge of LATCH.
38	SDAC0S	Analog Output from Serial DAC0. The analog output from this DAC will have a value of 0.2 V to $AVDD - 0.247$ V.
37	SDAC0F	Feedback Analog Input. By connecting a resistor between SDAC0F and SDAC0S, the gain of the DAC0 buffer can be altered and the magnitude of the analog output adjusted accordingly.
40	SDAC1S	Analog Output from Serial DAC1. The analog output from this DAC will have a value of 0.2 V to $AVDD - 0.247$ V.
39	SDAC1F	Feedback Analog Input. By connecting a resistor between SDAC1F and SDAC1S, the gain of the DAC1 buffer can be altered and the magnitude of the analog output adjusted accordingly.
13	SDACPDB	Digital Input. The serial DACs are powered down using SDACPDB. When this pin is tied low, the serial DACs are placed in standby mode.
Reference		
35	VREF	The onboard bandgap reference is available on the VREF pin. The reference has a value of 2.5 V nominal. A bypass capacitor of 0.1 μ F is required between VREF and AGND. This output cannot be powered down.
44, 42	VREFA/VREFB	A buffered version of the reference is available on VREFA/VREFB. The analog outputs from the parallel DACs are biased about the reference voltage. DACA is biased about VREFA while DACB is biased about VREFB. VREFA and VREFB can be used with DACA and DACB to provide differential analog inputs to the circuitry connected to the DACs. These outputs are powered down using DACPDB. These outputs should be decoupled using a capacitance of 100 pF minimum.

FUNCTIONAL DESCRIPTION

A-to-D Converter

The A/D conversion circuitry consists of a track-and-hold amplifier followed by a flash A-to-D converter. Figure 6 shows the architecture of the ADC.

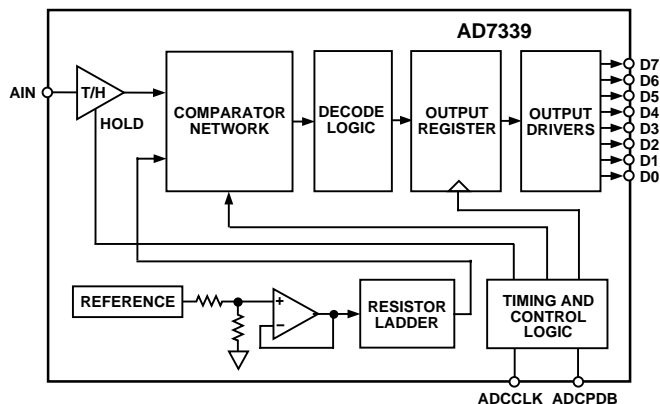


Figure 6. ADC Architecture

Track-and-Hold Amplifier

The track-and-hold amplifier on the analog input of the AD7339's ADC allows the ADC to accurately convert input frequencies to 8-bit accuracy. The input bandwidth of the track-and-hold amplifier is much greater than the Nyquist rate of the ADC.

The operation of the track-and-hold is essentially transparent to the user. The track-and-hold amplifier goes from its tracking mode to its hold mode on the rising edge of DACCLK.

Analog Input

The ADC accepts an analog input of 2 V p-p. The analog input is biased about 1.4 V internally. If the signal applied to the ADC is biased about 1.4 V, then dc coupling can be used. AC coupling is needed if the analog input is biased about any voltage other than 1.4 V. A capacitor of 1 nF is suitable for ac coupling.

Figure 7 shows the ideal input/output transfer function for the ADC. The designed code transitions occur midway between successive integer LSB values (1/2 LSB, 3/2 LSB, 5/2 LSB . . .) with 1 LSB = $FS/256 = 2\text{ V}/256 = 7.8\text{ mV}$.

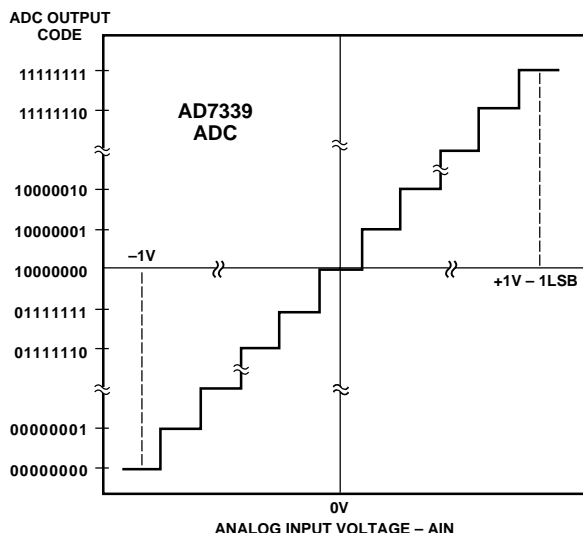


Figure 7. ADC Transfer Function

Parallel DACs

The circuitry for each parallel DAC consists of a current source DAC followed by a buffer that converts the current to a voltage. Figure 8 shows the functional block diagram for the parallel DACs.

The loading of both the A and B DAC is controlled by the DACCLK signal, which is nominally set to 2.304 MHz. The digital input to each DAC is latched in on the rising edge of the DACCLK signal so that both DACs simultaneously perform the D-to-A conversion.

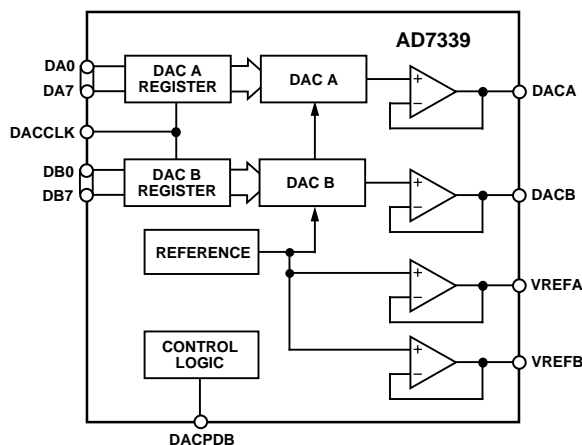


Figure 8. Parallel DACs Functional Block Diagram

The analog output from each DAC is biased about the reference voltage VREFA (DAC A) or VREFB (DAC B). The analog output is $\pm 1.4\text{ V}$ about the reference voltage. Since the analog outputs are biased about the reference voltage, the reference outputs can be used with the analog outputs to form a differential signal for the circuitry that follows the DACs.

The AD7339 includes a calibration feature that reduces the offset between the DAC output bias voltage and the VREFA/VREFB voltage. A 4-bit offset nulling feature is used to factory trim the offset. The device also has a 4-bit offset register that is user controlled; i.e., the user can disable the factory trimmed offset and use the 4-bit register instead. This allows the user to calibrate out the system offset; however, the user is also responsible for calibrating out the AD7339 offset.

The 4-bit offset register is accessed via the serial interface that is used by DAC 0 and DAC 1. Table III gives the addresses for accessing these registers. D5 of the 10-bit data word enables the user to write to the 4-bit offset register. When this bit is set to 0, the factory trimmed value is used as the offset value, while the user programmed value is used when D5 equals 1. When the offset is user controlled, D4 is used to inform the AD7339 to reduce or increase the DAC output voltage. When D4 equals 0, the DAC output is reduced, while the DAC output is increased when D4 equals 1. When user trimming is being used, the 4-bit word to be loaded into the register is contained in the 4 LSBs of the 10-bit word being written to the serial port.

AD7339

The 4-bit offset nulling feature has a LSB size of 7.6 mV; thereby, allowing the user to vary the DAC output by ± 115 mV.

Table I. Writing to the Parallel DACs Offset Registers

D9	D8	D7	D6	D5	D4	D3	D2	D1	D0
Address	X	X		Factory/ User Offset	Decr/ Incr	Data Word			

The DACs use offset binary coding with 1 LSB = $FS/256 = 2.8/256 = 10.94$ mV. Table II shows the ideal input code to output voltage relationship.

Table II. Ideal Input/Output Code Table

DAC Latch Contents		
MSB	LSB	Analog Output, V_{OUT}^*
0	0	-1.4 V
0	0	-1.38906 V
0	1	-0.01094 V
1	0	0 V
1	0	+0.01094 V
1	1	+1.37812 V
1	1	+1.38906 V

*These are the nominal output voltages with $V_{OUT} = \pm 1.4$ V.

Serial DACs

The AD7339 has two serial DACs on board. The serial DACs have an architecture similar to the parallel DACs. The 8-bit digital word to each DAC is serially loaded. The serial DACs have a common serial port. To distinguish between the two DACs, 10-bit bursts are transferred to the DACs, the two MSBs identifying the DAC to which the 8-bit word is to be loaded. Table III shows the truth table for the two MSBs.

The serial word is loaded into the serial register using SDATA and SCLK. SCLK is a gated clock of nominal value 256 kHz, which should be active only when the 10-bit word is being loaded into the register; i.e., SCLK should consist of 10 pulses. If SCLK is continuous, or if it consists of more than 10 pulses, the data shifted into the serial register will be shifted out of the serial register so the register will not contain valid data. When the serial register is not being written to, SCLK should idle low. The serial data bits are read into the serial register on the rising edge of SCLK, the two MSBs of the word identifying the DAC to which the word is being written, and the eight LSBs of the 10-bit word containing the 8-bit word to be converted, the 8-bit word being transferred MSB first. SDATA idles low.

Table III. Serial DACs Truth Table

D9	D8	DAC to be Written to
0	0	DAC A Offset Register Is Loaded
0	1	DAC 1 Register Is Loaded
1	0	DAC 0 Register Is Loaded
1	1	DAC B Offset Register Is Loaded

The 8-bit word is loaded into the DAC from the register using LATCH. Data is loaded into the DACs on the falling edge of LATCH. When the D-to-A conversion is performed, the analog output is altered accordingly. The analog output will remain valid until the next falling edge of LATCH, at which stage the next digital word in the register is converted. LATCH is normally low, the input being pulsed to load the DACs, the DACs being loaded on the falling edge of LATCH.

The analog output is available on the SDAC0S/SDAC1S pin. Each DAC has an analog output of 0.2 V to $AVDD - 0.247$ V, an input of 00H generating an analog output of 0.2 V while a digital input of FFH produces an analog output of $AVDD - 0.247$ V, i.e., the serial DACs use straight binary coding. The analog output is generated by the on board reference. Therefore, when $AVDD$ is greater than 5.247 V, $V_{OUT} = 2 VREF$ when the digital word equals all 1s. However, when $AVDD$ is less than 5.247 V, the output is limited to 0.247 V below $AVDD$ as the amplifier clips the output.

The output from the current source is converted to a voltage using an operational amplifier. The amplifier is configured to gain the signal by two; however, the gain of the amplifier can be adjusted by tying a resistor between SDAC0F/SDAC1F and SDAC0S/SDAC1S. The resistors on board the AD7339 have a value of 20 k Ω .

Power-Down

Each section of the AD7339 can be individually powered down. The ADC, parallel DACs and serial DACs have individual power-down pins, which allows each section to be powered down when it is not being used, thus minimizing the current consumption of the AD7339.

Pin ADCPDB is used to place the ADC in sleep mode. When this pin is taken low, the ADC is powered down. For normal operation, ADCPDB is high.

When the parallel DACs are not being used, they can be placed in power-down mode using DACPDB. When DACPDB is low, both DACs are powered down. The reference outputs VREFA and VREFB are also powered down. During power-down, the analog outputs DACA and DACB, as well as the reference outputs, are pulled down to ground. When the DACs are powered up, the analog outputs settle to the bias voltage VREFA/VREFB.

The serial DACs are powered down using SDACPDB. When this pin is tied low, the serial DACs are placed in sleep mode.

When a converter is powered up, 100 μ s are required for the analog and digital circuitry to settle. Conversions can commence when the circuitry has settled.

The reference on board the AD7339 is permanently powered up. While the outputs VREFA and VREFB can be powered down, the reference voltage, which is available on pin VREF, is always available.

TERMINOLOGY**Differential Nonlinearity**

The difference between the measured and the ideal 1 LSB change between any two adjacent codes in the ADC or DACs. A specified Differential Nonlinearity of ± 1 LSB max over the operating temperature range ensures monotonicity.

Integral Nonlinearity

The maximum deviation of any code from a straight line passing through the endpoints of the transfer function. The endpoints of the transfer function are zero scale, a point 0.5 LSB below the first code transition (000 . . . 00 to 000 . . . 01) and full scale, a point 0.5 LSB above the last code transition (111 . . . 10 to 111 . . . 11). The error is expressed in LSBs.

Signal to (Noise + Distortion)

Signal to (Noise + Distortion) is measured signal-to-noise at the output of the ADC. The signal is the rms magnitude of the fundamental. Noise is the rms sum of all nonfundamental signals up to half the sampling frequency ($F_s/2$) excluding dc. Signal to (Noise + Distortion) is dependent on the number of quantization levels used in the digitization process; the more levels, the smaller the quantization noise. The theoretical signal to (Noise + Distortion) ratio for a sine wave signal is given by

$$\text{Signal to (Noise + Distortion)} = (6.02N + 1.76) \text{ dB}$$

where N is the number of bits. Thus for an ideal 8-bit converter, Signal to (Noise + Distortion) is 49.92 dB.

ADC**Effective Number of Bits (ENOB)**

Signal to (Noise + Distortion) is expressed in dBs; rewriting the Signal to (Noise + Distortion) formula, it is possible to get a measure of performance expressed in effective number of bits. The effective number of bits for a device can be calculated directly from its measured Signal to (Noise + Distortion) value.

$$\text{ENOB} = (\text{SNR} - 1.76)/6.02$$

where SNR is the Signal to (Noise + Distortion).

Zero Input Offset Error

This is the offset error in the ADC when the analog input is zero. Ideally, the digital output should equal 100 . . . 00. The offset error is the deviation from the ideal output code. The offset error is expressed in LSBs.

Intermodulation Distortion

With inputs consisting of sine waves at two frequencies, f_a and f_b , any active device with nonlinearities will create distortion

products, of order $(m + n)$, at sum and difference frequencies of $m f_a \pm n f_b$, where $m, n = 0, 1, 2, 3, \dots$. Intermodulation terms are those for which m or n is not equal to zero. For the AD7339, the Intermodulation Distortion is the level to which the second and third intermodulation terms are suppressed below a full scale output signal level, the second order terms being $(f_a + f_b)$ and $(f_a - f_b)$ while the third order terms are $(2f_a + f_b)$, $(2f_a - f_b)$, $(f_a + 2f_b)$ and $(f_a - 2f_b)$.

Error Rate

The rate at which A-to-D conversion errors occur.

DACS**Bipolar Zero Offset Error**

The deviation between the measured output voltage and the bias voltage (VREFA or VREFB, depending on which DAC is being tested) when the DAC is loaded with code 100 . . . 00 after gain error has been adjusted out.

Gain Error

A measure of the output error between an ideal DAC and the actual device output with all 1s loaded after offset error has been adjusted out.

Update Rate

The rate at which the DACs can be loaded with new data. The parallel DACs have an update rate of 2.304 MHz while the serial DACs have an update rate of 256/10 kHz maximum.

Gain Matching Between DACs

The matching between the analog output amplitudes of the parallel DACs when the same digital word is written to each DAC.

Crosstalk

The ratio of the amplitude of a full-scale signal appearing on one channel to the amplitude of the same signal which couples onto another channel. Crosstalk is expressed in dBs.

Output Harmonic Content

When the digital word is converted to analog form, harmonics will also be generated. The Output Harmonic Content specifies the amount by which these harmonics are attenuated relative to the fundamental frequency. With the parallel DACs, a full sine wave of frequency 0 kHz to 128 kHz is input. The resulting analog output is evaluated and the amount by which the harmonics in the frequency band 0 MHz to 1.1152 MHz are attenuated is measured relative to the magnitude of the fundamental output signal.

AD7339

GROUNDING AND LAYOUT

The printed circuit board that houses the AD7339 should be designed so that the analog and digital sections are separated and confined to certain areas of the board. This facilitates the use of ground planes that can be easily separated. A minimum etch technique is generally best for ground planes as it gives the best shielding.

Digital and analog ground planes should be joined in only one place. If the AD7339 is the only device requiring an AGND-to-DGND connection, the ground planes should be connected at the AGND and DGND pins of the AD7339. If the AD7339 is in a system where multiple devices require AGND-to-DGND connections, the connection should be made at one point only, a star point that should be established as close as possible to the AD7339. Avoid running digital lines under the device as these will couple noise onto the die. The analog ground plane should be allowed to run under the AD7339 to avoid noise coupling. The power supply lines to the AD7339 should use as large a track as possible to provide low impedance paths and reduce the effects of glitches on the power supply line. Fast switching signals such as clocks should be shielded with digital ground to avoid radiating noise to other sections of the board. Avoid

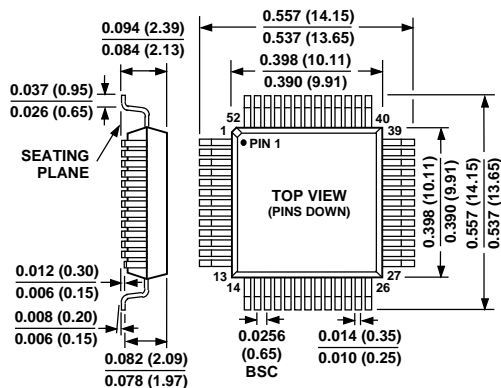
crossover of digital and analog signals. Traces at opposite sides of the board should run at right angles to each other. This will reduce the effects of feedthrough through the board. A microstrip technique is by far the best, but is not always possible with a double-sided board. In this technique, the component side of the board is dedicated to ground planes while signals are placed on the other side. Good decoupling is important. The analog and digital supplies to the AD7339 are independent and separately pinned out to minimize coupling between analog and digital sections of the device. All analog and digital supplies should be decoupled to AGND and DGND respectively using $0.1 \mu\text{F}$ ceramic capacitors in parallel with $10 \mu\text{F}$ tantalum capacitors. To achieve the best from the decoupling capacitors, they should be placed as close as possible to the device, ideally right up against the device. In systems where a common supply is used to drive both the AVDD and DVDD of the AD7339, it is recommended that the system's AVDD supply be used. This supply should have the recommended analog supply decoupling between the AVDD pins of the AD7339 and AGND and the recommended digital supply decoupling capacitors between the DVDD pins and DGND.

C3049-8-10/97

OUTLINE DIMENSIONS

Dimensions shown in inches and (mm).

52-Lead Plastic Quad Flatpack (PQFP) (S-52)



PRINTED IN U.S.A.



LittleDiode supplies new, hard to find or obsolete electronic components and semiconductors all over the world.

With over two million different components listed you are sure to find the part you need.

Feel free to visit us today at our online store:

LittleDiode.com

Looking forward to providing you with the best possible service.