

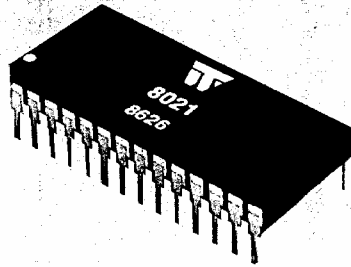
# Bowmar/White

## Technology

# 8K x 8 BIT RAM 8021 AND 8021-1

### PIN DIAGRAM

N/C	1	28	V <sub>CC</sub>
A12	2	27	WE
A7	3	26	N/C
A6	4	25	A8
A5	5	24	A9
A4	6	23	A11
A3	7	22	OE
A2	8	21	A10
A1	9	20	CE1
A0	10	19	I/O7
I/O0	11	18	I/O6
I/O1	12	17	I/O5
I/O2	13	16	I/O4
V <sub>SS</sub>	14	15	I/O3

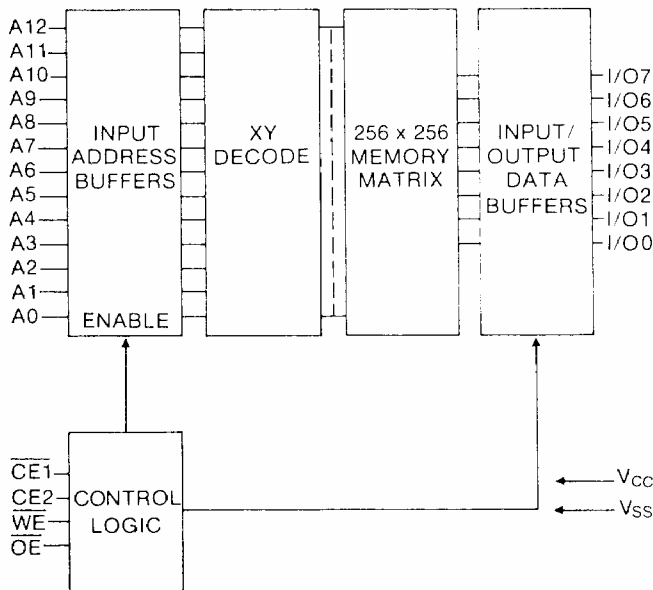


(8021-1 Version: Pin 26 = CE2)

### FEATURES

- Voltage: +5V and Gnd
- Operating Temperature: -55° to +200° C
- Operating Current: 5.0mA (Typ)
- Standby Current: 2.0mA (Typ)
- Access Time: 150nS

### BLOCK DIAGRAM



### DESCRIPTION

The White Technology, Inc. 8021 and 8021-1 are 8K x 8 bit static random access memories. They are designed for use in memory systems where high speed, low power and simplicity of use are desirable. This device has common data input and data output and utilizes a single power supply of 4.5V to 5.5V. Also the 8021 series of RAMs will operate at temperatures of +200° C.

The difference between the 8021 and 8021-1 is that the 8021-1 offers an additional chip select line active high on pin 26. The 8021 has a no-connect on pin 26.

The chip enable CE1 (or CE1 and CE2 on 8021-1), when not valid, will gate off the address and output buffers and power down the chip to minimum standby power with input toggling. The output enable (OE) controls the output buffers to eliminate bus contention.

The White Technology, Inc. 8021 and 8021-1 are supplied in a 28-lead, hermetic, dual-in-line ceramic package.

### TRUTH TABLE

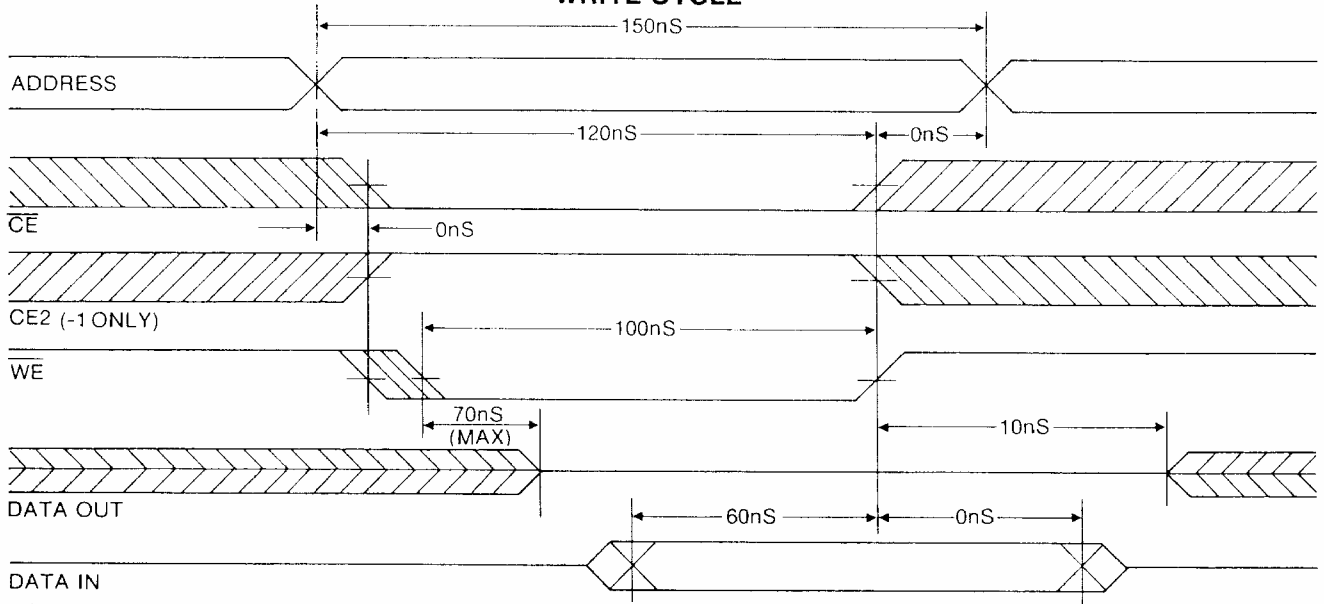
CE2*	CE1	OE	WE	A0 to A12	Mode	Data I/O	Device Current
X	H	X	X	X	Not Selected	High Z	Standby
L	X	X	X	X	Not Selected	High Z	Standby
H	L	L	H	Stable	Read	Data Out	Active
H	L	X	L	Stable	Write	Data In	Active
H	L	H	H	Stable	Output Disable	High Z	Active

\*8021-1 only.

# 8K x 8 BIT RAM—8021 AND 8021-1

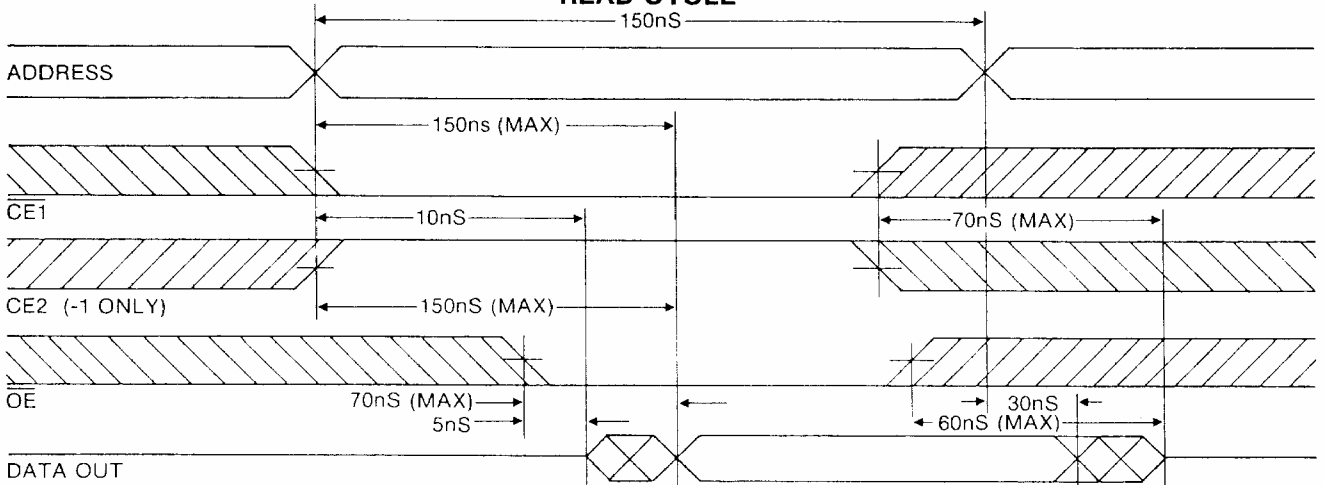
## TIMING DIAGRAMS

### WRITE CYCLE



If  $\overline{OE}$  is high during a  $\overline{WE}$  controlled write cycle, the output buffers remain in a high impedance state in this period. Timing measurement reference level is 1.5 volts.

### READ CYCLE



$\overline{WE}$  is high during read cycle. Timing measurement reference level is 1.5 volts.

All times are minimums unless otherwise specified.

## CASE OUTLINE



DIM	INCHES		MILLIMETERS	
	MIN	MAX	MIN	MAX
A	1.250	1.550	31.8	39.4
B	0.060	0.062	1.5	1.6
C	0.375 REF.		9.5 REF.	
D	0.098	0.102	2.5	2.6
E	0.065	0.075	1.7	1.9
F	0.016	0.020	0.4	0.5
G	0.048	0.052	1.2	1.3
H	1.294	1.306	32.9	33.2
J	0.138	0.172	3.5	4.4
K	0.160	0.180	4.1	4.6
L	0.008	0.012	0.2	0.3
M	0.600 REF.		15.2 REF.	

This datasheet has been downloaded from:

[www.DatasheetCatalog.com](http://www.DatasheetCatalog.com)

Datasheets for electronic components.



LittleDiode supplies new, hard to find or obsolete electronic components and semiconductors all over the world.

With over two million different components listed you are sure to find the part you need.

Feel free to visit us today at our online store:

[LittleDiode.com](http://LittleDiode.com)

Looking forward to providing you with the best possible service.