

ADC0816/ADC0817

8-Bit μ P Compatible A/D Converters with 16-Channel Multiplexer

General Description

The ADC0816, ADC0817 data acquisition component is a monolithic CMOS device with an 8-bit analog-to-digital converter, 16-channel multiplexer and microprocessor compatible control logic. The 8-bit A/D converter uses successive approximation as the conversion technique. The converter features a high impedance chopper stabilized comparator, a 256R voltage divider with analog switch tree and a successive approximation register. The 16-channel multiplexer can directly access any one of 16 single-ended analog signals, and provides the logic for additional channel expansion. Signal conditioning of any analog input signal is eased by direct access to the multiplexer output, and to the input of the 8-bit A/D converter.

The device eliminates the need for external zero and full-scale adjustments. Easy interfacing to microprocessors is provided by the latched and decoded multiplexer address inputs and latched TTL TRI-STATE® outputs.

The design of the ADC0816, ADC0817 has been optimized by incorporating the most desirable aspects of several A/D conversion techniques. The ADC0816, ADC0817 offers high speed, high accuracy, minimal temperature dependence, excellent long-term accuracy and repeatability, and consumes minimal power. These features make this device ideally suited to applications from process and machine control to consumer and automotive applications. For similar performance in an 8-channel, 28-pin, 8-bit A/D converter, see the ADC0808, ADC0809 data sheet. (See AN-258 for more information.)

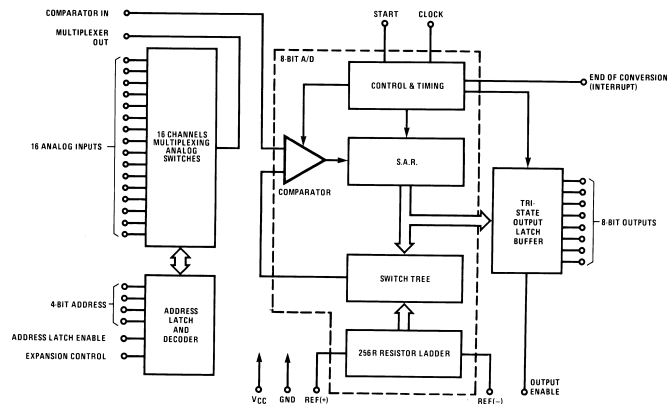
Features

- Easy interface to all microprocessors
- Operates ratiometrically or with 5 V_{DC} or analog span adjusted voltage reference
- 16-channel multiplexer with latched control logic
- Outputs meet TTL voltage level specifications
- 0V to 5V analog input voltage range with single 5V supply
- No zero or full-scale adjust required
- Standard hermetic or molded 40-pin DIP package
- Temperature range -40°C to $+85^{\circ}\text{C}$ or -55°C to $+125^{\circ}\text{C}$
- Latched TRI-STATE output
- Direct access to "comparator in" and "multiplexer out" for signal conditioning
- ADC0816 equivalent to MM74C948
- ADC0817 equivalent to MM74C948-1

Key Specifications

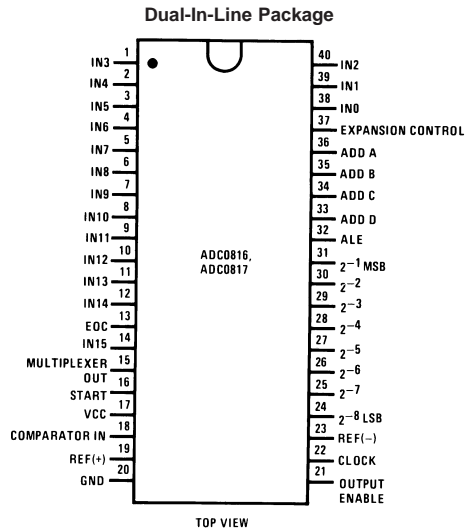
- | | |
|--------------------------|-------------------------------|
| ■ Resolution | 8 Bits |
| ■ Total Unadjusted Error | $\pm 1/2$ LSB and ± 1 LSB |
| ■ Single Supply | 5 V_{DC} |
| ■ Low Power | 15 mW |
| ■ Conversion Time | 100 μs |

Block Diagram



TRI-STATE® is a registered trademark of National Semiconductor Corporation.

Connection Diagram



Order Number ADC0816CCN or ADC0817CCN
See NS Package Number N40A

Ordering Information

| TEMPERATURE RANGE | | -40°C to +85°C | |
|-------------------|-------------------|-----------------|-------------------|
| Error | ±½ Bit Unadjusted | ADC0816CCN | ADC0816CCJ |
| | ±1 Bit Unadjusted | ADC0817CCN | |
| Package Outline | | N40A Molded DIP | J40A Hermetic DIP |

Absolute Maximum Ratings (Notes 1, 2)

If Military/Aerospace specified devices are required, please contact the National Semiconductor Sales Office/Distributors for availability and specifications.

| | |
|------------------------------------------------------------------------|----------------------------|
| Supply Voltage (V_{CC}) (Note 3) | 6.5V |
| Voltage at Any Pin | -0.3V to ($V_{CC}+0.3V$) |
| Except Control Inputs | |
| Voltage at Control Inputs | -0.3V to 15V |
| (START, OE, CLOCK, ALE, EXPANSION CONTROL, ADD A, ADD B, ADD C, ADD D) | |
| Storage Temperature Range | -65°C to + 150°C |
| Package Dissipation at $T_A = 25^\circ\text{C}$ | 875 mW |

Lead Temp. (Soldering, 10 seconds)

| | |
|--------------------------------|-------|
| Dual-In-Line Package (Plastic) | 260°C |
| Molded Chip Carrier Package | |
| Vapor Phase (60 seconds) | 215°C |
| Infrared (15 seconds) | 220°C |
| ESD Susceptibility (Note 9) | 400V |

Operating Conditions (Notes 1, 2)

| | |
|------------------------------------------------------------------------|---------------------------------|
| Temperature Range (Note 1) | $T_{MIN} \leq T_A \leq T_{MAX}$ |
| ADC0816CCN, ADC0817CCN | -40°C $\leq T_A \leq$ +85°C |
| Range of V_{CC} (Note 1) | 4.5 V_{DC} to 6.0 V_{DC} |
| Voltage at Any Pin | 0V to V_{CC} |
| Except Control Inputs | |
| Voltage at Control Inputs | 0V to 15V |
| (START, OE, CLOCK, ALE, EXPANSION CONTROL, ADD A, ADD B, ADD C, ADD D) | |

Electrical Characteristics

Converter Specifications: $V_{CC}=5 V_{DC}=V_{REF(+)}$, $V_{REF(-)}=GND$, $V_{IN}=V_{COMPARATOR IN}$, $T_{MIN} \leq T_{MAX}$ and $f_{CLK} = 640 \text{ kHz}$ unless otherwise stated.

| Symbol | Parameter | Conditions | Min | Typ | Max | Units |
|-------------------------------------|----------------------------|----------------------------------|----------------|------------|----------------|---------------|
| | ADC0816 | | | | | |
| | Total Unadjusted Error | 25°C | | | $\pm 1/2$ | LSB |
| | (Note 5) | T_{MIN} to T_{MAX} | | | $\pm 3/4$ | LSB |
| | ADC0817 | | | | | |
| | Total Unadjusted Error | 0°C to 70°C | | | ± 1 | LSB |
| | (Note 5) | T_{MIN} to T_{MAX} | | | $\pm 1 1/4$ | LSB |
| | Input Resistance | From Ref(+) to Ref(-) | 1.0 | 4.5 | | k Ω |
| | Analog Input Voltage Range | (Note 4) V(+) or V(-) | GND-0.10 | | $V_{CC}+0.10$ | V_{DC} |
| $V_{REF(+)}$ | Voltage, Top of Ladder | Measured at Ref(+) | | V_{CC} | $V_{CC}+0.1$ | V |
| $\frac{V_{REF(+)} + V_{REF(-)}}{2}$ | Voltage, Center of Ladder | | $V_{CC}/2-0.1$ | $V_{CC}/2$ | $V_{CC}/2+0.1$ | V |
| $V_{REF(-)}$ | Voltage, Bottom of Ladder | Measured at Ref(-) | -0.1 | 0 | | V |
| | Comparator Input Current | $f_c=640 \text{ kHz}$, (Note 6) | -2 | ± 0.5 | 2 | μA |

Electrical Characteristics

Digital Levels and DC Specifications: ADC0816CCN, ADC0817CCN — 4.75V $\leq V_{CC} \leq$ 5.25V, -40°C $\leq T_A \leq$ +85°C unless otherwise noted.

| Symbol | Parameter | Conditions | Min | Typ | Max | Units |
|---------------------------|-----------------------------------------------|--------------------------------------------------------------------------------------------------------------------------|--------------|-----|-------------|----------------------------------------|
| ANALOG MULTIPLEXER | | | | | | |
| R_{ON} | Analog Multiplexer ON Resistance | (Any Selected Channel) $T_A=25^\circ\text{C}$, $R_L=10\text{k}$ $T_A=85^\circ\text{C}$ $T_A=125^\circ\text{C}$ | | 1.5 | 3 6 9 | k Ω k Ω k Ω |
| ΔR_{ON} | Δ ON Resistance Between Any 2 Channels | (Any Selected Channel) $R_L=10\text{k}$ | | 75 | | Ω |
| I_{OFF+} | OFF Channel Leakage Current | $V_{CC}=5\text{V}$, $V_{IN}=5\text{V}$, $T_A=25^\circ\text{C}$ T_{MIN} to T_{MAX} | | 10 | 200 1.0 | nA μA |
| $I_{OFF(-)}$ | OFF Channel Leakage Current | $V_{CC}=5\text{V}$, $V_{IN}=0$, $T_A=25^\circ\text{C}$ T_{MIN} to T_{Max} | -200 -1.0 | | | nA μA |

Electrical Characteristics (Continued)

Digital Levels and DC Specifications: ADC0816CCN, ADC0817CCN — $4.75V \leq V_{CC} \leq 5.25V$, $-40^{\circ}C \leq T_A \leq +85^{\circ}C$ unless otherwise noted.

| Symbol | Parameter | Conditions | Min | Typ | Max | Units |
|-----------------------------------------|---------------------------------------------------|-------------------------------------------------------------------------------|--------------|-----|------|---------|
| CONTROL INPUTS | | | | | | |
| $V_{IN(1)}$ | Logical "1" Input Voltage | | $V_{CC}-1.5$ | | | V |
| $V_{IN(0)}$ | Logical "0" Input Voltage | | | | 1.5 | V |
| $I_{IN(1)}$ | Logical "1" Input Current (The Control Inputs) | $V_{IN}=15V$ | | | 1.0 | μA |
| $I_{IN(0)}$ | Logical "0" Input Current (The Control Inputs) | $V_{IN}=0$ | -1.0 | | | μA |
| I_{CC} | Supply Current | $f_{CLK}=640$ kHz | | 0.3 | 3.0 | mA |
| DATA OUTPUTS AND EOC (INTERRUPT) | | | | | | |
| $V_{OUT(1)}$ | Logical "1" Output Voltage | $I_O=-360 \mu A$, $T_A=85^{\circ}C$ $I_O=-300 \mu A$, $T_A=125^{\circ}C$ | $V_{CC}-0.4$ | | | V |
| $V_{OUT(0)}$ | Logical "0" Output Voltage | $I_O=1.6$ mA | | | 0.45 | V |
| $V_{OUT(0)}$ | Logical "0" Output Voltage EOC | $I_O=1.2$ mA | | | 0.45 | V |
| I_{OUT} | TRI-STATE Output Current | $V_O=V_{CC}$ $V_O=0$ | -3.0 | | 3.0 | μA |

Electrical Characteristics

Timing Specifications: $V_{CC}=V_{REF(+)}=5V$, $V_{REF(-)}=GND$, $t_r=t_f=20$ ns and $T_A=25^{\circ}C$ unless otherwise noted.

| Symbol | Parameter | Conditions | Min | Typ | Max | Units |
|---------------------|-----------------------------------|------------------------------------|-----|-----|-------------|------------------|
| t_{WS} | Minimum Start Pulse Width | (Figure 5) (Note 7) | | 100 | 200 | ns |
| t_{WALE} | Minimum ALE Pulse Width | (Figure 5) | | 100 | 200 | ns |
| t_s | Minimum Address Set-Up Time | (Figure 5) | | 25 | 50 | ns |
| T_H | Minimum Address Hold Time | (Figure 5) | | 25 | 50 | ns |
| t_D | Analog MUX Delay Time from ALE | $R_S=0\Omega$ (Figure 5) | | 1 | 2.5 | μs |
| t_{H1} , t_{H0} | OE Control to Q Logic State | $C_L=50$ pF, $R_L=10k$ (Figure 8) | | 125 | 250 | ns |
| t_{1H} , t_{0H} | OE Control to Hi-Z | $C_L=10$ pF, $R_L=10k$ (Figure 8) | | 125 | 250 | ns |
| t_C | Conversion Time | $f_c=640$ kHz, (Figure 5) (Note 8) | 90 | 100 | 116 | μs |
| f_c | Clock Frequency | | 10 | 640 | 1280 | kHz |
| t_{EOC} | EOC Delay Time | (Figure 5) | 0 | | 8+2 μs | Clock Periods |
| C_{IN} | Input Capacitance | At Control Inputs | | 10 | 15 | pF |
| C_{OUT} | TRI-STATE Output Capacitance | At TRI-STATE Outputs (Note 8) | | 10 | 15 | pF |

Note 1: Absolute Maximum Ratings indicate limits beyond which damage to the device may occur. DC and AC electrical specifications do not apply when operating the device beyond its specified operating conditions.

Note 2: All voltages are measured with respect to GND, unless otherwise specified.

Note 3: A zener diode exists, internally, from V_{CC} to GND and has a typical breakdown voltage of $7 V_{DC}$.

Note 4: Two on-chip diodes are tied to each analog input which will forward conduct for analog input voltages one diode drop below ground or one diode drop greater than the V_{CC} supply. The spec allows 100 mV forward bias of either diode. This means that as long as the analog V_{IN} does not exceed the supply voltage by more than 100 mV, the output code will be correct. To achieve an absolute 0 V_{DC} to 5 V_{DC} input voltage range will therefore require a minimum supply voltage of 4.900 V_{DC} over temperature variations, initial tolerance and loading.

Note 5: Total unadjusted error includes offset, full-scale, and linearity errors. See Figure 3. None of these A/Ds requires a zero or full-scale adjust. However, if an all zero code is desired for an analog input other than 0.0V, or if a narrow full-scale span exists (for example: 0.5V to 4.5V full-scale) the reference voltages can be adjusted to achieve this. See Figure 13.

Note 6: Comparator input current is a bias current into or out of the chopper stabilized comparator. The bias current varies directly with clock frequency and has little temperature dependence (Figure 6). See paragraph 4.0.

Note 7: If start pulse is asynchronous with converter clock or if $f_c > 640$ kHz, the minimum start pulse width is 8 clock periods plus 2 μs . For synchronous operation at $f_c \leq 640$ kHz take start high within 100 ns of clock going low.

Note 8: The outputs of the data register are updated one clock cycle before the rising edge of EOC.

Note 9: Human body model, 100 pF discharged through a 1.5 k Ω resistor.

Functional Description

Multiplexer: The device contains a 16-channel single-ended analog signal multiplexer. A particular input channel is selected by using the address decoder. *Table 1* shows the input states for the address line and the expansion control line to select any channel. The address is latched into the decoder on the low-to-high transition of the address latch enable signal.

TABLE 1.

| Selected Analog Channel | Address Line | | | | Expansion Control |
|-------------------------|--------------|---|---|---|-------------------|
| | D | C | B | A | |
| IN0 | L | L | L | L | H |
| IN1 | L | L | L | H | H |
| IN2 | L | L | H | L | H |
| IN3 | L | L | H | H | H |
| IN4 | L | H | L | L | H |
| IN5 | L | H | L | H | H |
| IN6 | L | H | H | L | H |
| IN7 | L | H | H | H | H |
| IN8 | H | L | L | L | H |
| IN9 | H | L | L | H | H |
| IN10 | H | L | H | L | H |
| IN11 | H | L | H | H | H |
| IN12 | H | H | L | L | H |
| IN13 | H | H | L | H | H |
| IN14 | H | H | H | L | H |
| IN15 | H | H | H | H | H |
| All Channels OFF | X | X | X | X | L |

X=don't care

Additional single-ended analog signals can be multiplexed to the A/D converter by disabling all the multiplexer inputs using the expansion control. The additional external signals are connected to the comparator input and the device ground. Additional signal conditioning (i.e., prescaling, sample and hold, instrumentation amplification, etc.) may also be added between the analog input signal and the comparator input.

CONVERTER CHARACTERISTICS

The Converter

The heart of this single chip data acquisition system is its 8-bit analog-to-digital converter. The converter is designed to give fast, accurate, and repeatable conversions over a wide range of temperatures. The converter is partitioned into 3 major sections: the 256R ladder network, the successive approximation register, and the comparator. The converter's digital outputs are positive true.

The 256R ladder network approach *Figure 1* was chosen over the conventional R/2R ladder because of its inherent monotonicity, which guarantees no missing digital codes. Monotonicity is particularly important in closed loop feedback control systems. A non-monotonic relationship can cause oscillations that will be catastrophic for the system. Additionally, the 256R network does not cause load variations on the reference voltage.

The bottom resistor and the top resistor of the ladder network in *Figure 1* are not the same value as the remainder of the network. The difference in these resistors causes the output characteristic to be symmetrical with the zero and full-scale points of the transfer curve. The first output transition occurs when the analog signal has reached + 1/2 LSB and succeeding output transitions occur every 1 LSB later up to full-scale.

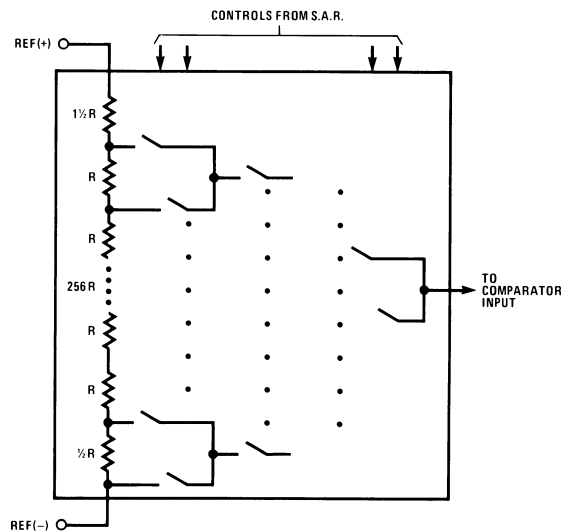


FIGURE 1. Resistor Ladder and Switch Tree

Functional Description (Continued)

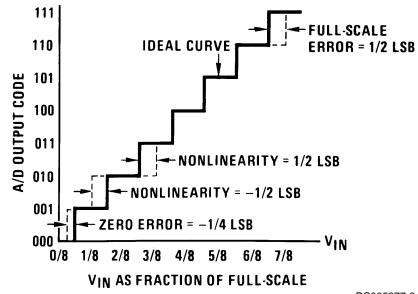


FIGURE 2. 3-Bit A/D Transfer Curve

DS005277-3

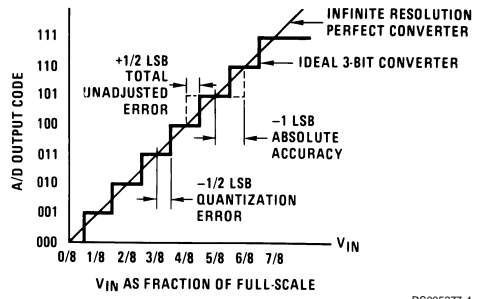


FIGURE 3. 3-Bit A/D Absolute Accuracy Curve

DS005277-4

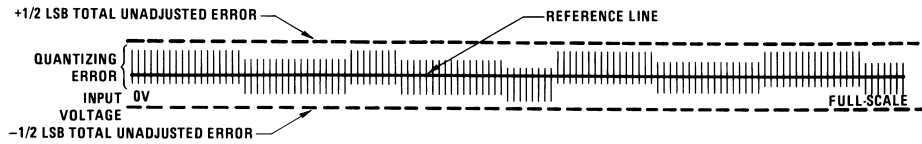


FIGURE 4. Typical Error Curve

DS005277-5

Timing Diagram

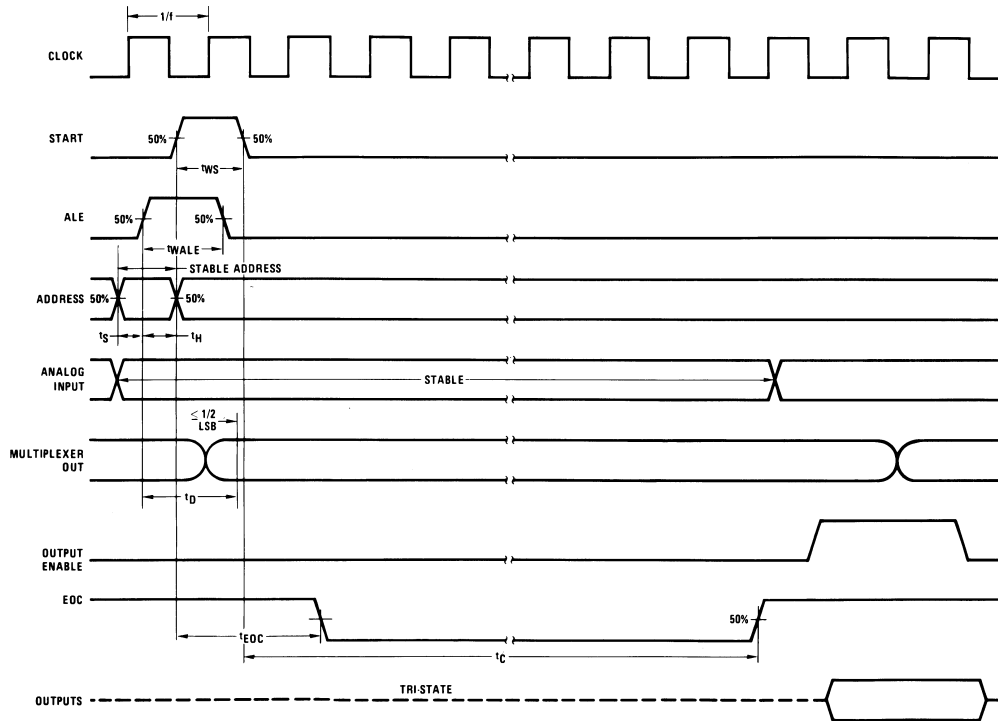


FIGURE 5.

DS005277-7

Timing Diagram (Continued)

The successive approximation register (SAR) performs 8 iterations to approximate the input voltage. For any SAR type converter, n-iterations are required for an n-bit converter. *Figure 2* shows a typical example of a 3-bit converter. In the ADC0816, ADC0817, the approximation technique is extended to 8 bits using the 256R network.

The A/D converter's successive approximation register (SAR) is reset on the positive edge of the start conversion (SC) pulse. The conversion is begun on the falling edge of the start conversion pulse. A conversion in process will be interrupted by receipt of a new start conversion pulse. Continuous conversion may be accomplished by tying the end-of-conversion (EOC) output to the SC input. If used in this mode, an external start conversion pulse should be applied after power up. End-of-conversion will go low between 0 and 8 clock pulses after the rising edge of start conversion.

The most important section of the A/D converter is the comparator. It is this section which is responsible for the ultimate accuracy of the entire converter. It is also the comparator drift which has the greatest influence on the repeatability of the device. A chopper-stabilized comparator provides the most effective method of satisfying all the converter requirements.

The chopper-stabilized comparator converts the DC input signal into an AC signal. This signal is then fed through a high gain AC amplifier and has the DC level restored. This technique limits the drift component of the amplifier since the drift is a DC component which is not passed by the AC amplifier. This makes the entire A/D converter extremely insensitive to temperature, long term drift and input offset errors.

Figure 4 shows a typical error curve for the ADC0816 as measured using the procedures outlined in AN-179.

Typical Performance Characteristics

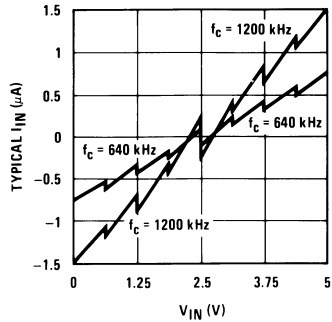


FIGURE 6. Comparator I_{IN} vs V_{IN}
($V_{CC}=V_{REF}=5V$)

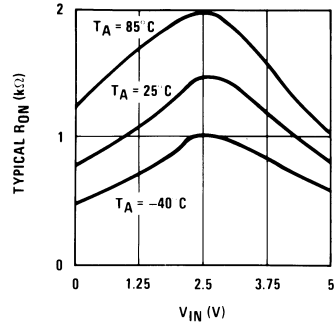


FIGURE 7. Multiplexer R_{ON} vs V_{IN}
($V_{CC}=V_{REF}=5V$)

TRI-STATE Test Circuits and Timing Diagrams

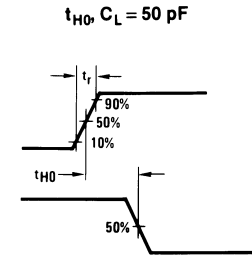
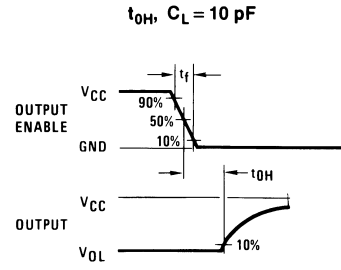
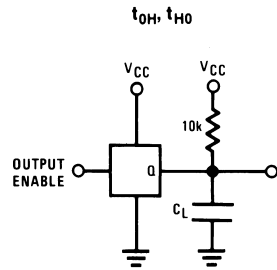
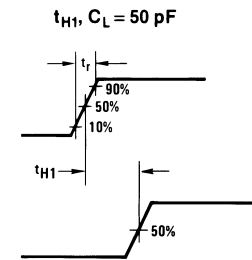
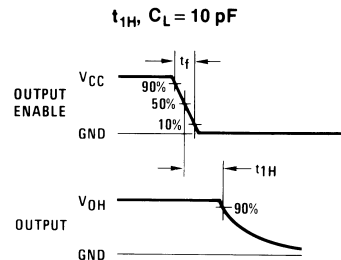
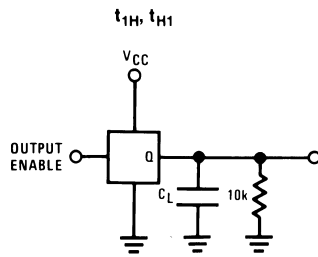


FIGURE 8.

Applications Information

OPERATION

1.0 RATIOMETRIC CONVERSION

The ADC0816, ADC0817 is designed as a complete Data Acquisition System (DAS) for ratiometric conversion systems. In ratiometric systems, the physical variable being measured is expressed as a percentage of full-scale which is not necessarily related to an absolute standard. The voltage input to the ADC0816 is expressed by the equation

$$\frac{V_{IN}}{V_{fs} - V_Z} = \frac{D_X}{D_{MAX} - D_{MIN}} \quad (1)$$

V_{IN} = Input voltage into the ADC0816

V_{fs} = Full-scale voltage

V_Z = Zero voltage

D_X = Data point being measured

D_{MAX} = Maximum data limit

D_{MIN} = Minimum data limit

Applications Information (Continued)

A good example of a ratiometric transducer is a potentiometer used as a position sensor. The position of the wiper is directly proportional to the output voltage which is a ratio of the full-scale voltage across it. Since the data is represented as a proportion of full-scale, reference requirements are greatly reduced, eliminating a large source of error and cost for many applications. A major advantage of the ADC0816, ADC0817 is that the input voltage range is equal to the supply range so the transducers can be connected directly across the supply and their outputs connected directly into the multiplexer inputs, (Figure 9).

Ratiometric transducers such as potentiometers, strain gauges, thermistor bridges, pressure transducers, etc., are suitable for measuring proportional relationships; however, many types of measurements must be referred to an absolute standard such as voltage or current. This means a system reference must be used which relates the full-scale voltage to the standard volt. For example, if $V_{CC} = V_{REF} = 5.12V$, then the full-scale range is divided into 256 standard steps. The smallest standard step is 1 LSB which is then 20 mV.

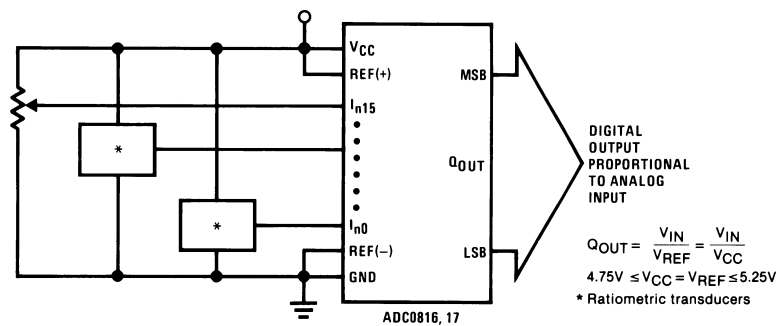


FIGURE 9. Ratiometric Conversion System

The ADC0816 needs less than a milliamp of supply current so developing the supply from the reference is readily accomplished. In Figure 11 a ground references system is shown which generates the supply from the reference. The buffer shown can be an op amp of sufficient drive to supply the milliamp of supply current and the desired bus drive, or if a capacitive bus is driven by the outputs a large capacitor will supply the transient supply current as seen in Figure 12. The LM301 is overcompensated to insure stability when loaded by the 10 μF output capacitor.

2.0 RESISTOR LADDER LIMITATIONS

The voltages from the resistor ladder are compared to the selected input 8 times in a conversion. These voltages are coupled to the comparator via an analog switch tree which is referenced to the supply. The voltages at the top, center and bottom of the ladder must be controlled to maintain proper operation.

The top of the ladder, Ref(+), should not be more positive than the supply, and the bottom of the ladder, Ref(-), should not be more negative than ground. The center of the ladder voltage must also be near the center of the supply because the analog switch tree changes from N-channel switches to P-channel switches. These limitations are automatically satisfied in ratiometric systems and can be easily met in ground referenced systems.

Figure 10 shows a ground referenced system with a separate supply and reference. In this system, the supply must be trimmed to match the reference voltage. For instance, if a 5.12V reference is used, the supply should be adjusted to the same voltage within 0.1V.

The top and bottom ladder voltages cannot exceed V_{CC} and ground, respectively, but they can be symmetrically less than V_{CC} and greater than ground. The center of the ladder voltage should always be near the center of the supply. The sensitivity of the converter can be increased, (i.e., size of the LSB steps decreased) by using a symmetrical reference system. In Figure 13, a 2.5V reference is symmetrically centered about $V_{CC}/2$ since the same current flows in identical resistors. This system with a 2.5V reference allows the LSB to be half the size of the LSB in a 5V reference system.

Applications Information (Continued)

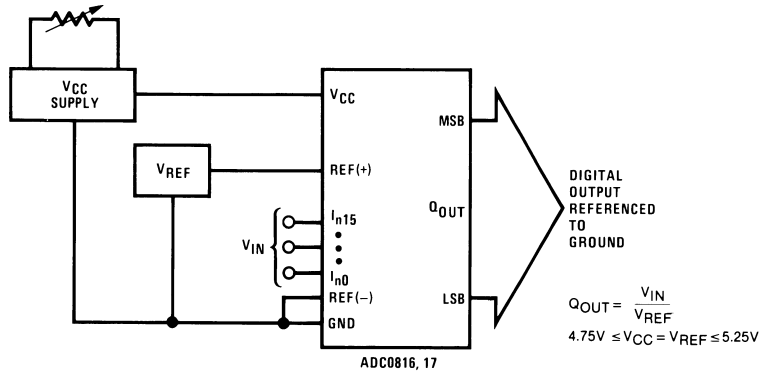


FIGURE 10. Ground Referenced Conversion System Using Trimmed Supply

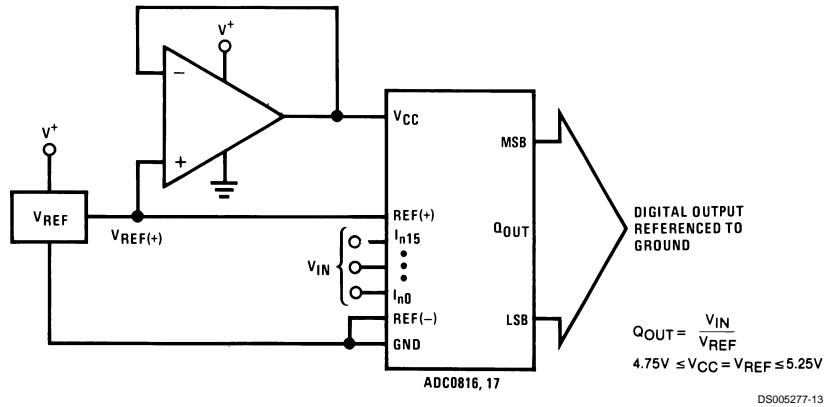


FIGURE 11. Ground Referenced Conversion System with Reference Generating V_{CC} Supply

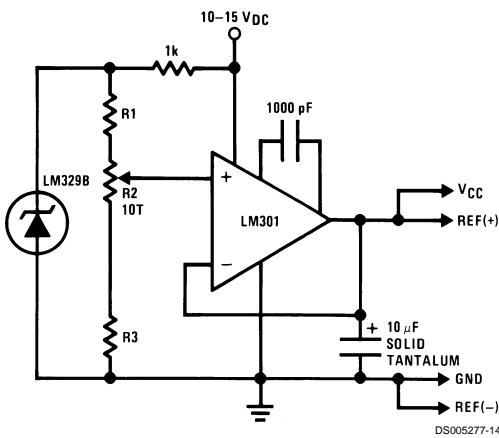


FIGURE 12. Typical Reference and Supply Circuit

Applications Information (Continued)

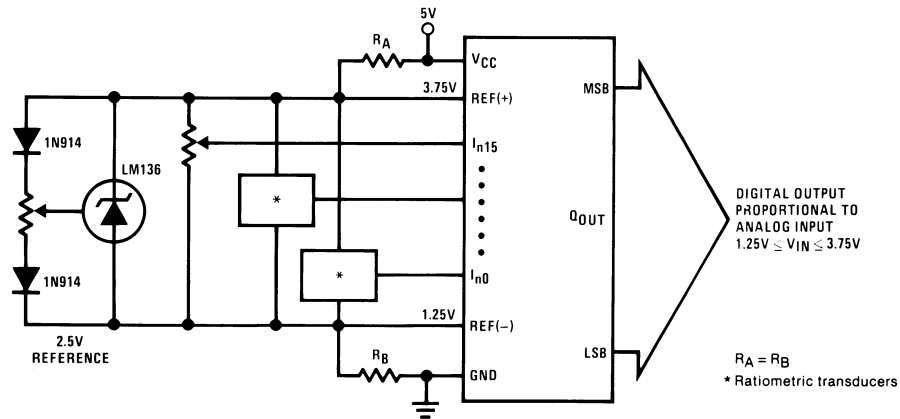


FIGURE 13. Symmetrically Centered Reference

DS005277-15

3.0 CONVERTER EQUATIONS

The transition between adjacent codes N and $N + 1$ is given by:

$$V_{IN} = \left\{ (V_{REF(+)} - V_{REF(-)}) \left[\frac{N}{256} + \frac{1}{512} \right] \pm V_{TUE} \right\} + V_{REF(-)} \quad (2)$$

The center of an output code N is given by:

$$V_{IN} = \left\{ (V_{REF(+)} - V_{REF(-)}) \left[\frac{N}{256} \right] \pm V_{TUE} \right\} + V_{REF(-)} \quad (3)$$

The output code N for an arbitrary input are the integers within the range:

$$N = \frac{V_{IN} - V_{REF(-)}}{V_{REF(+)} - V_{REF(-)}} \times 256 \pm \text{Absolute Accuracy} \quad (4)$$

where: V_{IN} = Voltage at comparator input

V_{REF+} = Voltage at Ref(+)

V_{REF-} = Voltage at Ref(-)

V_{TUE} = Total unadjusted error voltage (typically

$$V_{REF(+)} \div 512)$$

4.0 ANALOG COMPARATOR INPUTS

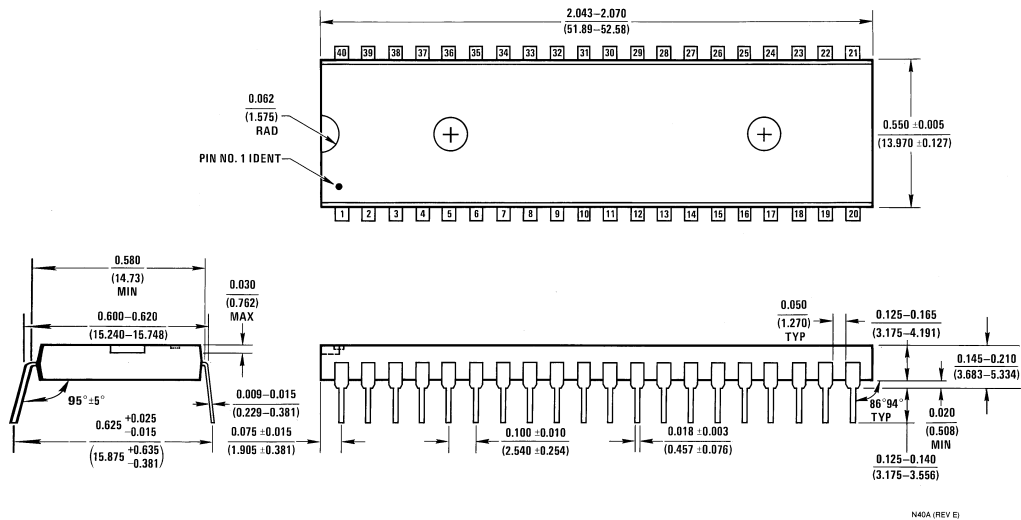
The dynamic comparator input current is caused by the periodic switching of on-chip stray capacitances. These are connected alternately to the output of the resistor ladder/switch tree network and to the comparator input as part of the operation of the chopper stabilized comparator.

The average value of the comparator input current varies directly with clock frequency and with V_{IN} as shown in Figure 6.

If no filter capacitors are used at the analog or comparator inputs and the signal source impedances are low, the comparator input current should not introduce converter errors, as the transient created by the capacitance discharge will die out before the comparator output is strobed.

If input filter capacitors are desired for noise reduction and signal conditioning they will tend to average out the dynamic comparator input current. It will then take on the characteristics of a DC bias current whose effect can be predicted conventionally. See AN-258 for further discussion.

Physical Dimensions inches (millimeters) unless otherwise noted



Molded Dual-In-Line Package (N)
NS Package Number N40A

LIFE SUPPORT POLICY

NATIONAL'S PRODUCTS ARE NOT AUTHORIZED FOR USE AS CRITICAL COMPONENTS IN LIFE SUPPORT DEVICES OR SYSTEMS WITHOUT THE EXPRESS WRITTEN APPROVAL OF THE PRESIDENT AND GENERAL COUNSEL OF NATIONAL SEMICONDUCTOR CORPORATION. As used herein:

1. Life support devices or systems are devices or systems which, (a) are intended for surgical implant into the body, or (b) support or sustain life, and whose failure to perform when properly used in accordance with instructions for use provided in the labeling, can be reasonably expected to result in a significant injury to the user.
2. A critical component is any component of a life support device or system whose failure to perform can be reasonably expected to cause the failure of the life support device or system, or to affect its safety or effectiveness.



National Semiconductor Corporation
Americas
Tel: 1-800-272-9959
Fax: 1-800-737-7018
Email: support@nsc.com

www.national.com

National Semiconductor Europe
Fax: +49 (0) 1 80-530 85 86
Email: europe.support@nsc.com
Deutsch Tel: +49 (0) 1 80-530 85 85
English Tel: +49 (0) 1 80-532 78 32
Français Tel: +49 (0) 1 80-532 93 58
Italiano Tel: +49 (0) 1 80-534 16 80

National Semiconductor Asia Pacific Customer Response Group
Tel: 65-2544466
Fax: 65-2504466
Email: sea.support@nsc.com

National Semiconductor Japan Ltd.
Tel: 81-3-5639-7560
Fax: 81-3-5639-7507

This datasheet has been downloaded from:

www.DatasheetCatalog.com

Datasheets for electronic components.

National Semiconductor was acquired by Texas Instruments.

http://www.ti.com/corp/docs/investor_relations/pr_09_23_2011_national_semiconductor.html

This file is the datasheet for the following electronic components:

ADC0816CCJ - <http://www.ti.com/product/adc0816ccj?HQS=TI-null-null-dscatalog-df-pf-null-ww>



LittleDiode supplies new, hard to find or obsolete electronic components and semiconductors all over the world.

With over two million different components listed you are sure to find the part you need.

Feel free to visit us today at our online store:

LittleDiode.com

Looking forward to providing you with the best possible service.