

ADC12048

12-Bit Plus Sign 216 kHz 8-Channel Sampling Analog-to-Digital Converter

General Description

Operating from a single 5V power supply, the ADC12048 is a 12 bit + sign, parallel I/O, self-calibrating, sampling analog-to-digital converter (ADC) with an eight input fully differential analog multiplexer. The maximum sampling rate is 216 kHz. On request, the ADC goes through a self-calibration process that adjusts linearity, zero and full-scale errors.

The ADC12048's 8-channel multiplexer is software programmable to operate in a variety of combinations of single-ended, differential, or pseudo-differential modes. The fully differential MUX and the 12-bit + sign ADC allows for the difference between two signals to be digitized.

The ADC12048 can be configured to work with many popular microprocessors/microcontrollers and DSPs including National's HPC family, Intel386 and 8051, TMS320C25, Motorola MC68HC11/16, Hitachi 64180 and Analog Devices ADSP21xx.

For complementary voltage references see the LM4040, LM4041 or LM9140.

Features

- 8-channel programmable Differential or Single-Ended multiplexer
- Programmable Acquisition Times and user-controllable Throughput Rates

- Programmable data bus width (8/13 bits)
- Built-in Sample-and-Hold
- Programmable Auto-Calibration and Auto-Zero cycles
- Low power standby mode
- No missing codes

Key Specifications

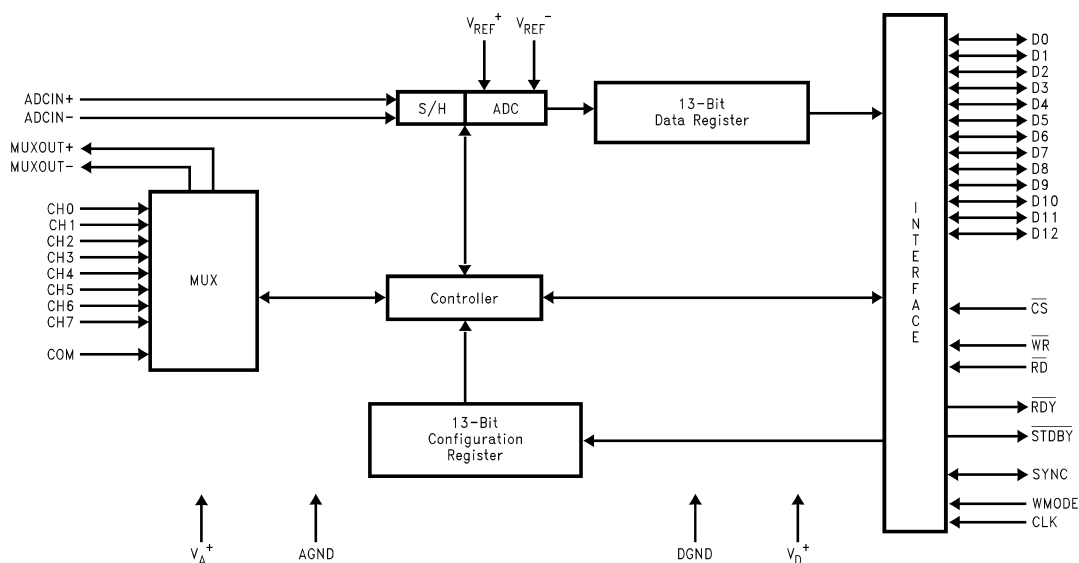
($f_{CLK} = 12 \text{ MHz}$)

- | | |
|----------------------------------|---------------------------|
| ■ Resolution | 12-bits + sign |
| ■ 13-bit conversion time | 3.6 μs , max |
| ■ 13-bit throughput rate | 216 ksamples/s, min |
| ■ Integral Linearity Error (ILE) | $\pm 1 \text{ LSB}$, max |
| ■ Single Supply | +5V $\pm 10\%$ |
| ■ V_{IN} Range | GND to V_{A+} |
| ■ Power consumption | |
| — Normal operation | 34 mW, max |
| — Stand-by mode | 75 μw , max |

Applications

- Medical instrumentation
- Process control systems
- Test equipment
- Data logging
- Inertial guidance

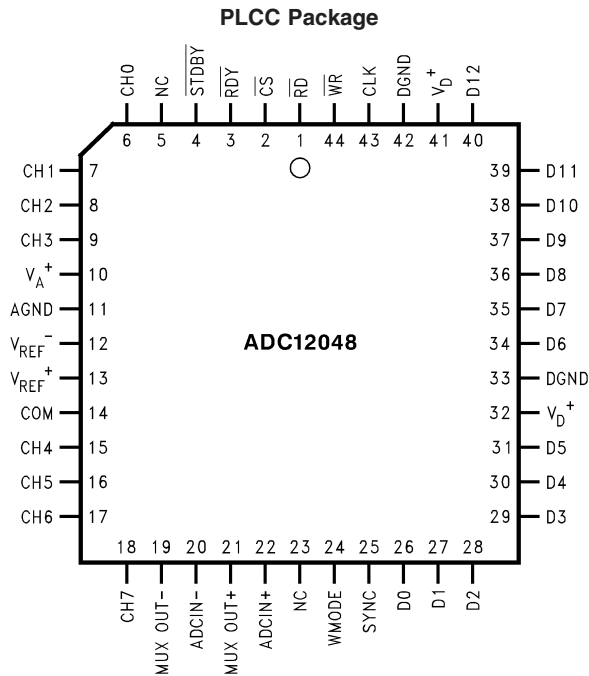
Block Diagram



01238701

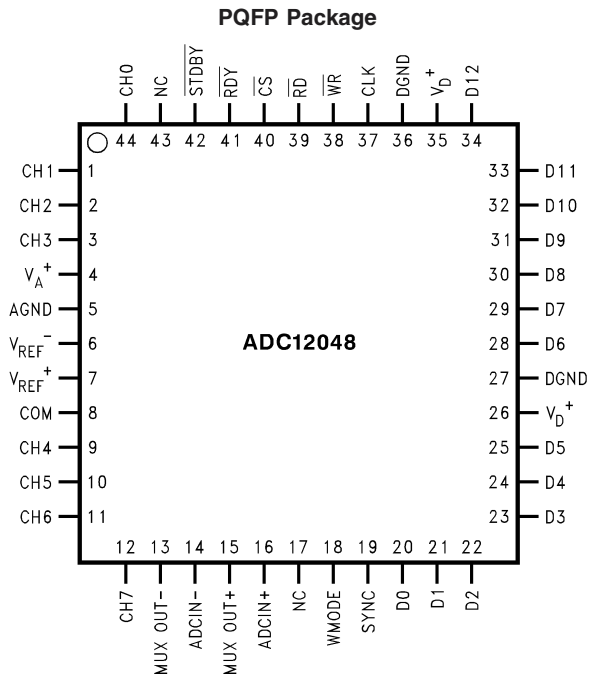
TRI-STATE® is a registered trademark of National Semiconductor Corporation.

Connection Diagrams



Order Number **ADC12048CIV**
See NS Package Number **V44A**

01238702



Order Number **ADC12048CIVF**
See NS Package Number **VGZ44A**

01238703

Ordering Information

Industrial Temperature Range -40°C ≤ T _A ≤ +85°C	Package
ADC12048CIV	PLCC
ADC12048CIVF	PQFP

Pin Description

PLCC Pkg. Pin Number	PQFP Pkg. Pin Number	Pin Name	Description
6 7 8 9 15 16 17 18	44 1 2 3 9 10 11 12	CH0 CH1 CH2 CH3 CH4 CH5 CH6 CH7	The eight analog inputs to the Multiplexer. Active channels are selected based on the contents of bits b3–b0 of the Configuration register. Refer to section titled MUX for more details.
14	8	COM	This pin is another analog input pin used as a pseudo ground when the multiplexer is configured in single-ended mode.
13	7	V _{REF+}	Positive reference input. The operating voltage range for this input is 1V ≤ V _{REF+} ≤ V _{A+} (see Figure 3 and 4). This pin should be bypassed to AGND at least with a parallel combination of a 10 μF and a 0.1 μF (ceramic) capacitors. The capacitors should be placed as close to the part as possible.

Pin Description (Continued)

PLCC Pkg. Pin Number	PQFP Pkg. Pin Number	Pin Name	Description
12	6	V_{REF-}	Negative reference input. The operating voltage range for this input is $0V \leq V_{REF-} \leq V_{REF+} - 1$ (see <i>Figure 3</i> and <i>4</i>). This pin should be bypassed to AGND at least with a parallel combination of a 10 μ F and a 0.1 μ F (ceramic) capacitor. The capacitors should be placed as close to the part as possible.
19 21	13 15	MUX OUT- MUX OUT+	The inverting (negative) and non-inverting (positive) outputs of the multiplexer. The analog inputs to the MUX selected by bits b3–b0 of the Configuration register appear at these pins.
20 22	14 16	ADCIN- ADCIN+	ADC inputs. The inverting (negative) and non-inverting (positive) inputs into the ADC.
24	18	WMODE	The logic state of this pin at power-up determines which edge of the write signal (\overline{WR}) will latch in data from the data bus. If tied low, the ADC12048 will latch in data on the rising edge of the \overline{WR} signal. If tied to a logic high , data will be latched in on the falling edge of the \overline{WR} signal. The state of this pin should not be changed after power-up.
25	19	SYNC	The SYNC pin can be programmed as an input or an output . The Configuration register's bit b8 controls the function of this pin. When programmed as an input pin (b8 = 1), a rising edge on this pin causes the ADC's sample-and-hold to hold the analog input signal and begin conversion. When programmed as an output pin (b8 = 0), the SYNC pin goes high when a conversion begins and returns low when completed.
26–31 34–40	20–25 29–34	D0–D5 D6–D12	13-bit Data bus of the ADC12048. D12 is the most significant bit and D0 is the least significant. The BW (bus width) bit of the Configuration register (b12) selects between an 8-bit or 13-bit data bus width. When the BW bit is cleared (BW = 0), D7–D0 are active and D12–D8 are always in TRI-STATE. When the BW bit is set (BW = 1), D12–D0 are active.
43	37	CLK	The clock input pin used to drive the ADC12048. The operating range is 0.05 MHz to 12 MHz.
44	38	\overline{WR}	\overline{WR} is the active low WRITE control input pin. A logic low on this pin and the \overline{CS} will enable the input buffers of the data pins D12–D0. The signal at this pin is used by the ADC12048 to latch in data on D12–D0. The sense of the WMODE pin at power-up will determine which edge of the \overline{WR} signal the ADC12048 will latch in data. See WMODE pin description.
1	39	\overline{RD}	\overline{RD} is the active low read control input pin. A logic low on this pin and \overline{CS} will enable the active output buffers to drive the data bus.
2	40	\overline{CS}	\overline{CS} is the active low Chip Select input pin. Used in conjunction with the \overline{WR} and \overline{RD} signals to control the active data bus input/output buffers of the data bus.
3	41	\overline{RDY}	\overline{RDY} is an active low output pin. The signal at this pin indicates when a requested function has begun or ended. Refer to section Functional Description and the digital timing diagrams for more detail.
4	42	\overline{STDBY}	This is the standby active low output pin. This pin is low when the ADC12048 is in the standby mode and high when the ADC12048 is out of the standby mode or has been requested to leave the standby mode.
10	4	V_{A+}	Analog supply input pin. The device operating supply voltage range is $+5V \pm 10\%$. Accuracy is guaranteed only if the V_{A+} and V_{D+} are connected to the same potential. This pin should be bypassed to AGND with a parallel combination of a 10 μ F and a 0.1 μ F (ceramic) capacitor. The capacitors should be placed as close to the supply pins of the part as possible.

Pin Description (Continued)

PLCC Pkg. Pin Number	PQFP Pkg. Pin Number	Pin Name	Description
11	5	AGND	Analog ground pin. This is the device's analog supply ground connection. It should be connected through a low resistance and low inductance ground return to the system power supply.
32 and 41	26 and 35	V _{D+}	Digital supply input pins. The device operating supply voltage range is +5V ±10%. Accuracy is guaranteed only if the V _{A+} and V _{D+} are connected to the same potential. This pin should be bypassed to DGND with a parallel combination of a 10 µF and a 0.1 µF (ceramic) capacitor. The capacitors should be placed as close to the supply pins of the part as possible.
33 and 42	27 and 36	DGND	Digital ground pin. This is the device's digital supply ground connection. It should be connected through a low resistance and low inductance ground return to the system power supply.

Absolute Maximum Ratings (Notes 1,

2)

If Military/Aerospace specified devices are required, please contact the National Semiconductor Sales Office/Distributors for availability and specifications.

Supply Voltage (V_{A+} and V_{D+})	6.0V
Voltage at all Inputs	-0.3V to $V^+ + 0.3V$
$ V_{A+} - V_{D+} $	300 mV
IAGND – DGNDI	300 mV
Input Current at Any Pin (Note 3)	± 30 mA
Package Input Current (Note 3)	± 120 mA
Power Dissipation (Note 4)	
at $T_A = 25^\circ\text{C}$	875 mW
Storage Temperature	-65°C to $+150^\circ\text{C}$
Lead Temperature	
VF Package	
Vapor Phase (60 sec.)	210°C
Infared (15 sec.)	220°C
V Package, Infared (15 sec.)	300°C

ESD Susceptibility (Note 5)

3.0 kV

Operating Ratings (Notes 1, 2, 6, 7, 8, 9)

Temperature Range		$-40^\circ\text{C} \leq T_A \leq 85^\circ\text{C}$
($T_{\min} \leq T_A \leq T_{\max}$)		
Supply Voltage		4.5V to 5.5V
V_{A+}, V_{D+}		
$ V_{A+} - V_{D+} $		≤ 100 mV
IAGND – DGNDI		≤ 100 mV
V_{IN} Voltage Range		
at all Inputs		$\text{GND} \leq V_{IN} \leq V_{A+}$
V_{REF+} Input Voltage		$1V \leq V_{REF+} \leq V_{A+}$
V_{REF-} Input Voltage		$0 \leq V_{REF-} \leq V_{REF+} - 1V$
$V_{REF+} - V_{REF-}$		$1V \leq V_{REF} \leq V_{A+}$
V_{REF} Common Mode		$0.1 V_{A+} \leq V_{REFCM} \leq 0.6 V_{A+}$
(Note 16)		

Converter DC Characteristics

The following specifications apply to the ADC12048 for $V_{A+} = V_{D+} = 5V$, $V_{REF+} = 4.096V$, $V_{REF-} = 0.0V$, 12-bit + sign conversion mode, $f_{CLK} = 12.0$ MHz, $R_S = 25\Omega$, source impedance for V_{REF+} and $V_{REF-} \leq 1\Omega$, fully differential input with fixed 2.048V common-mode voltage (V_{INCM}), and minimum acquisition time, unless otherwise specified. **Boldface limits apply for $T_A = T_J = T_{MIN}$ to T_{MAX}** ; all other limits $T_A = T_J = 25^\circ\text{C}$

Symbol	Parameter	Conditions	Typical (Note 10)	Limits (Note 11)	Unit (Limit)
	Resolution with No Missing Codes	After Auto-Cal		13	Bits (max)
ILE	Integral Linearity Error	After Auto-Cal (Notes 12, 17)	± 0.6	± 1	LSB (max)
DNL	Differential Non-Linearity	After Auto-Cal		± 1	LSB (max)
	Zero Error	After Auto-Cal (Notes 13, 17)			
		$V_{INCM} = 5.0V$		± 5.5	LSB (max)
		$V_{INCM} = 2.048V$		± 2.5	LSB (max)
		$V_{INCM} = 0V$		± 5.5	LSB (max)
	Positive Full-Scale Error	After Auto-Cal (Notes 12, 17)	± 1.0	± 2.5	LSB (max)
	Negative Full-Scale Error	After Auto-Cal (Notes 12, 17)	± 1.0	± 2.5	LSB (max)
	DC Common Mode Error	After Auto-Cal (Note 14)	± 2	± 5.5	LSB (max)
TUE	Total Unadjusted Error	After Auto-Cal (Note 18)	± 1		LSB

Power Supply Characteristics

The following specifications apply to the ADC12048 for $V_{A+} = V_{D+} = 5V$, $V_{REF+} = 4.096V$, $V_{REF-} = 0.0V$, 12-bit + sign conversion mode, $f_{CLK} = 12.0$ MHz, $R_S = 25\Omega$, source impedance for V_{REF+} and $V_{REF-} \leq 1\Omega$, fully differential input with fixed 2.048V common-mode voltage, and minimum acquisition time, unless otherwise specified. **Boldface limits apply for $T_A = T_J = T_{MIN}$ to T_{MAX}** ; all other limits $T_A = T_J = 25^\circ\text{C}$

Symbol	Parameter	Conditions	Typical (Note 10)	Limits (Note 11)	Unit (Limit)
PSS	Power Supply Sensitivity	$V_{D+} = V_{A+} = 5.0V \pm 10\%$ (Note 15)			
	Zero Error	$V_{REF+} = 4.096V$	± 0.1		LSB
	Full-Scale Error	$V_{REF-} = 0V$	± 0.5		LSB
	Linearity Error		± 0.1		LSB

Power Supply Characteristics (Continued)

The following specifications apply to the ADC12048 for $V_{A+} = V_{D+} = 5V$, $V_{REF+} = 4.096V$, $V_{REF-} = 0.0V$, 12-bit + sign conversion mode, $f_{CLK} = 12.0$ MHz, $R_S = 25\Omega$, source impedance for V_{REF+} and $V_{REF-} \leq 1\Omega$, fully differential input with fixed 2.048V common-mode voltage, and minimum acquisition time, unless otherwise specified. **Boldface limits apply for $T_A = T_J = T_{MIN}$ to T_{MAX}** ; all other limits $T_A = T_J = 25^\circ C$

Symbol	Parameter	Conditions	Typical (Note 10)	Limits (Note 11)	Unit (Limit)
I_{D+}	V_{D+} Digital Supply Current	Start Command (Performing a conversion) with SYNC configured as an input and driven with a 214 kHz signal. Bus width set to 13. $f_{CLK} = 12.0$ MHz, Reset Mode $f_{CLK} = 12.0$ MHz, Conversion	850 2.45	2.8	μA mA (max)
I_{A+}	V_{A+} Analog Supply Current	Start Command (Performing a conversion) with SYNC configured as an input and driven with a 214 kHz signal. Bus width set to 13. $f_{CLK} = 12.0$ MHz, Reset Mode $f_{CLK} = 12.0$ MHz, Conversion	2.3 2.3	4.0	mA mA (max)
I_{ST}	Standby Supply Current ($I_{D+} + I_{A+}$)	Standby Mode $f_{CLK} =$ Stopped $f_{CLK} = 12.0$ MHz	5 100	15 120	μA (max) μA (max)

Analog MUX Inputs Characteristics

The following specifications apply to the ADC12048 for $V_{A+} = V_{D+} = 5V$, $V_{REF+} = 4.096V$, $V_{REF-} = 0.0V$, 12-Bit + sign conversion mode, $f_{CLK} = 12.0$ MHz, $R_S = 25\Omega$, source impedance for V_{REF+} and $V_{REF-} \leq 1\Omega$, fully differential input with fixed 2.048V common-mode voltage, and minimum acquisition time, unless otherwise specified. **Boldface limits apply for $T_A = T_J = T_{MIN}$ to T_{MAX}** ; all other limits $T_A = T_J = 25^\circ C$

Symbol	Parameter	Conditions	Typical (Note 10)	Limits (Note 11)	Unit (Limit)
I_{ON}	MUX ON Channel Leakage Current	ON Channel = 5V, OFF Channel = 0V ON Channel = 0V, OFF Channel = 5V	0.05 -0.05	1.0 -1.0	μA (min) μA (max)
I_{OFF}	MUX OFF Channel Leakage Current	ON Channel = 5V, OFF Channel = 0V ON Channel = 0V, OFF Channel = 5V	0.05 -0.05	1.0 -1.0	μA (min) μA (max)
I_{ADCIN}	ADCIN Input Leakage Current		0.05	2.0	μA (max)
R_{ON}	MUX On Resistance	$V_{IN} = 2.5V$	310	500	Ω (max)
	MUX Channel-to-Channel R_{ON} Matching	$V_{IN} = 2.5V$	$\pm 20\%$		Ω
C_{MUX}	MUX Channel and COM Input Capacitance		10		pF
C_{ADC}	ADCIN Input Capacitance		70		pF
C_{MUXOUT}	MUX Output Capacitance		20		pF

Reference Inputs

The following specifications apply to the ADC12048 for $V_{A+} = V_{D+} = 5V$, $V_{REF+} = 4.096V$, $V_{REF-} = 0.0V$, 12-bit + sign conversion mode, $f_{CLK} = 12.0$ MHz, $R_S = 25\Omega$, source impedance for V_{REF+} and $V_{REF-} \leq 1\Omega$, fully differential input with fixed 2.048V common-mode voltage, and minimum acquisition time, unless otherwise specified. **Boldface limits apply for $T_A = T_J = T_{MIN}$ to T_{MAX}** ; all other limits $T_A = T_J = 25^\circ C$

Symbol	Parameter	Conditions	Typical (Note 10)	Limits (Note 11)	Unit (Limit)
I_{REF}	Reference Input Current	$V_{REF+} 4.096V$, $V_{REF-} = 0V$ Analog Input Signal: 1 kHz (Note 20) 80 kHz	145 136		μA μA

Reference Inputs (Continued)

The following specifications apply to the ADC12048 for $V_{A+} = V_{D+} = 5V$, $V_{REF+} = 4.096V$, $V_{REF-} = 0.0V$, 12-bit + sign conversion mode, $f_{CLK} = 12.0\text{ MHz}$, $R_S = 25\Omega$, source impedance for V_{REF+} and $V_{REF-} \leq 1\Omega$, fully differential input with fixed 2.048V common-mode voltage, and minimum acquisition time, unless otherwise specified. **Boldface limits apply for $T_A = T_J = T_{MIN}$ to T_{MAX}** ; all other limits $T_A = T_J = 25^\circ\text{C}$

Symbol	Parameter	Conditions	Typical (Note 10)	Limits (Note 11)	Unit (Limit)
C_{REF}	Reference Input Capacitance		85		pF

Digital Logic Input/Output Characteristics

The following specifications apply to the ADC12048 for $V_{A+} = V_{D+} = 5V$, $V_{REF+} = 4.096V$, $V_{REF-} = 0.0V$, 12-bit + sign conversion mode, $f_{CLK} = 12.0\text{ MHz}$, $R_S = 25\Omega$, source impedance for V_{REF+} and $V_{REF-} \leq 1\Omega$, fully differential input with fixed 2.048V common-mode voltage, and minimum acquisition time, unless otherwise specified. **Boldface limits apply for $T_A = T_J = T_{MIN}$ to T_{MAX}** ; all other limits $T_A = T_J = 25^\circ\text{C}$

Symbol	Parameter	Conditions	Typical (Note 10)	Limits (Note 11)	Unit (Limit)
V_{IH}	Logic High Input Voltage	$V_{A+} = V_{D+} = 5.5V$		2.0	V (min)
V_{IL}	Logic Low Input Voltage	$V_{A+} = V_{D+} = 4.5V$		0.8	V (max)
I_{IH}	Logic High Input Current	$V_{IN} = 5V$	0.035	2.0	μA (max)
I_{IL}	Logic Low Input Current	$V_{IN} = 0V$	-0.035	-2.0	μA (max)
V_{OH}	Logic High Output Voltage	$V_{A+} = V_{D+} = 4.5V$ $I_{OUT} = -1.6\text{ mA}$		2.4	V (min)
V_{OL}	Logic Low Output Voltage	$V_{A+} = V_{D+} = 4.5V$ $I_{OUT} = 1.6\text{ mA}$		0.4	V (max)
I_{OFF}	TRI-STATE® Output Leakage Current	$V_{OUT} = 0V$ $V_{OUT} = 5V$		± 2.0	μA (max)
C_{IN}	D12–D0 Input Capacitance		10		pF

Converter AC Characteristics

The following specifications apply to the ADC12048 for $V_{S+} = V_{D+} = 5V$, $V_{REF+} = 4.096V$, $V_{REF-} = 0.0V$, 12-bit + sign conversion mode, $f_{CLK} = 12.0\text{ MHz}$, $R_S = 25\Omega$, source impedance for V_{REF+} and $V_{REF-} \leq 1\Omega$, fully differential input with fixed 2.048V common-mode voltage, and minimum acquisition time, unless otherwise specified. **Boldface limits apply for $T_A = T_J = T_{MIN}$ to T_{MAX}** ; all other limits $T_A = T_J = 25^\circ\text{C}$

Symbol	Parameter	Conditions	Typical (Note 10)	Limits (Note 11)	Unit (Limit)
t_Z	Auto Zero Time		78	78 clks + 120 ns	clks (max)
t_{CAL}	Full Calibration Time		4946	4946 clks + 120 ns	clks (max)
	CLK Duty Cycle		50	40 60	% % (min) % (max)
t_{CONV}	Conversion Time	Sync-Out Mode	44	44	clks (max)
$t_{AcqSYNCOU}$	Acquisition Time (Programmable)	Minimum for 13 Bits Maximum for 13 Bits	9 79	9 clks + 120 ns 79 clks + 120 ns	clks (max) clks (max)

Digital Timing Characteristics

The following specifications apply to the ADC12048, 13-bit data bus width, $V_{A+} = V_{D+} = 5V$, $f_{CLK} = 12\text{ MHz}$, $t_f = 3\text{ ns}$ and $C_L = 50\text{ pF}$ on data I/O lines

Symbol	Parameter	Conditions	Typical (Note 10)	Limits (Note 11)	Units (Limit)
t_{TPR}	Throughput Rate	Sync-Out Mode (SYNC Bit = "0") 9 Clock Cycles of Acquisition Time	222		kHz

Digital Timing Characteristics (Continued)

The following specifications apply to the ADC12048, 13-bit data bus width, $V_{A+} = V_{D+} = 5V$, $f_{CLK} = 12\text{ MHz}$, $t_f = 3\text{ ns}$ and $C_L = 50\text{ pF}$ on data I/O lines

Symbol	Parameter	Conditions	Typical (Note 10)	Limits (Note 11)	Units (Limit)
t_{CSWR}	Falling Edge of \overline{CS} to Falling Edge of \overline{WR}		0		ns
t_{WRCS}	Active Edge of \overline{WR} to Rising Edge of \overline{CS}		0		ns
t_{WR}	\overline{WR} Pulse Width		20	30	ns (min)
$t_{WRSETfalling}$	Write Setup Time	WMODE = "1"		20	ns (min)
$t_{WRHOLDfalling}$	Write Hold Time	WMODE = "1"		5	ns (min)
$t_{WRSETrising}$	Write Setup Time	WMODE = "0"		20	ns (min)
$t_{WRHOLDrising}$	Write Hold Time	WMODE = "0"		5	ns (min)
t_{CSRd}	Falling Edge of \overline{CS} to Falling Edge of \overline{RD}		0		ns
t_{RDcs}	Rising Edge of \overline{RD} to Rising Edge of \overline{CS}		0		ns
t_{RDdata}	Falling Edge of \overline{RD} to Valid Data	8-Bit Mode (BW Bit = "0")	40	58	ns (max)
t_{RDdata}	Falling Edge of \overline{RD} to Valid Data	13-Bit Mode (BW Bit = "1")	26	44	ns (max)
t_{RDHOLD}	Read Hold Time		23	32	ns (max)
t_{RDrdy}	Rising Edge of \overline{RD} to Rising Edge of \overline{RDY}		24	38	ns (max)
t_{WRrdy}	Active Edge of \overline{WR} to Rising Edge of \overline{RDY}	WMODE = "1"	42	65	ns (max)
t_{STndby}	Active Edge of \overline{WR} to Falling Edge of \overline{STDBY}	WMODE = "0". Writing the Standby Command into the Configuration Register	200	230	ns (max)
t_{STdone}	Active Edge of \overline{WR} to Rising Edge of \overline{STDBY}	WMODE = "0". Writing the RESET Command into the Configuration Register	30	45	ns (max)
t_{STdrdy}	Active Edge of \overline{WR} to Falling Edge of \overline{RDY}	WMODE = "0". Writing the RESET Command into the Configuration Register	1.4	2.5	ms (max)
t_{SYNC}	Minimum SYNC Pulse Width		5	10	ns (min)

Notes on Specifications

Note 1: Absolute Maximum Ratings indicate limits beyond which damage to the device may occur. Operating Ratings indicate conditions for which the device is functional, but do not guarantee specific performance limits. For guaranteed specifications and test conditions, see the Electrical Characteristics. The guaranteed specifications apply only for the test conditions listed. Some performance characteristics may degrade when the device is not operated under the listed test conditions.

Note 2: All voltages are measured with respect to GND, unless otherwise specified.

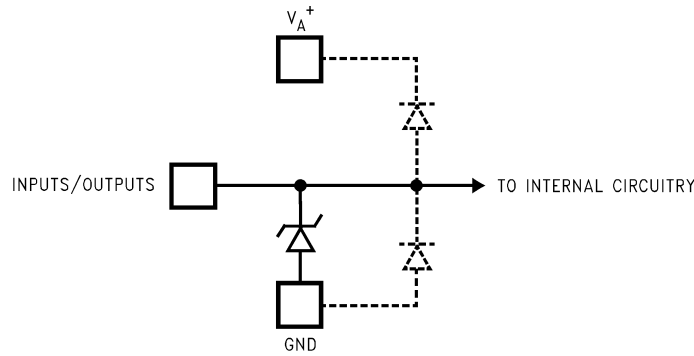
Note 3: When the input voltage (V_{IN}) at any pin exceeds the power supply rails ($V_{IN} < GND$ or $V_{IN} > (V_{A+} \text{ or } V_{D+})$), the current at that pin should be limited to 30 mA. The 120 mA maximum package input current limits the number of pins that can safely exceed the power supplies with an input current of 30 mA to four.

Note 4: The maximum power dissipation must be derated at elevated temperatures and is dictated by T_{Jmax} (maximum junction temperature), θ_{JA} (package junction to ambient thermal resistance), and T_A (ambient temperature). The maximum allowable power dissipation at any temperature is $P_{Dmax} = (T_{Jmax} - T_A)/\theta_{JA}$ or the number given in the Absolute Maximum Ratings, whichever is lower. For this device, $T_{Jmax} = 150^\circ\text{C}$, and the typical thermal resistance (θ_{JA}) of the ADC12048 in the V package, when board mounted, is 55°C/W , and in the VF package, when board mounted, is 67.8°C/W .

Note 5: Human body model, 100 pF discharged through 1.5 k Ω resistor.

Note 6: Each input and output is protected by a nominal 6.5V breakdown voltage zener diode to GND; as shown below, input voltage magnitude up to 0.3V above V_{A+} or 0.3V below GND will not damage the ADC12048. There are parasitic diodes that exist between the inputs and the power supply rails and errors in the A/D conversion can occur if these diodes are forward biased by more than 50 mV. As an example, if V_{A+} is 4.50 V_{DC} , full-scale input voltage must be $\leq 4.55 V_{DC}$ to ensure accurate conversions.

Notes on Specifications (Continued)



01238704

Note 7: V_{A+} and V_{D+} must be connected together to the same power supply voltage and bypassed with separate capacitors at each V^+ pin to assure conversion/comparison accuracy. Refer to the Power Supply Considerations section for a detailed discussion.

Note 8: Accuracy is guaranteed when operating at $f_{CLK} = 12$ MHz.

Note 9: With the test condition for V_{REF} ($V_{REF+} - V_{REF-}$) given as +4.096V, the 12-bit LSB is 1.000 mV.

Note 10: Typical values are at $T_A = 25^\circ\text{C}$ and represent most likely parametric norm.

Note 11: Limits are guaranteed to National's AOQL (Average Outgoing Quality Level).

Note 12: Positive integral linearity error is defined as the deviation of the analog value, expressed in LSBs, from the straight line that passes through positive full-scale and zero. For negative integral linearity error, the straight line passes through negative full-scale and zero.

Note 13: Zero error is a measure of the deviation from the mid-scale voltage (a code of zero), expressed in LSB. It is the average value of the code transitions between -1 to 0 and 0 to +1 (see Figure 8).

Note 14: The DC common-mode error is measured with both inputs shorted together and driven from 0V to 5V. The measured value is referred to the resulting output value when the inputs are driven with a 2.5V input.

Note 15: Power Supply Sensitivity is measured after an Auto-Zero and Auto Calibration cycle has been completed with V_{A+} and V_{D+} at the specified extremes.

Note 16: V_{REFCM} (Reference Voltage Common Mode Range) is defined as

$$\left(\frac{V_{REF+} + V_{REF-}}{2} \right)$$

Note 17: The ADC12048's self-calibration technique ensures linearity and offset errors as specified, but noise inherent in the self-calibration process will result in a repeatability uncertainty of ± 0.20 LSB.

Note 18: Total Unadjusted Error (TUE) includes offset, full scale linearity and MUX errors.

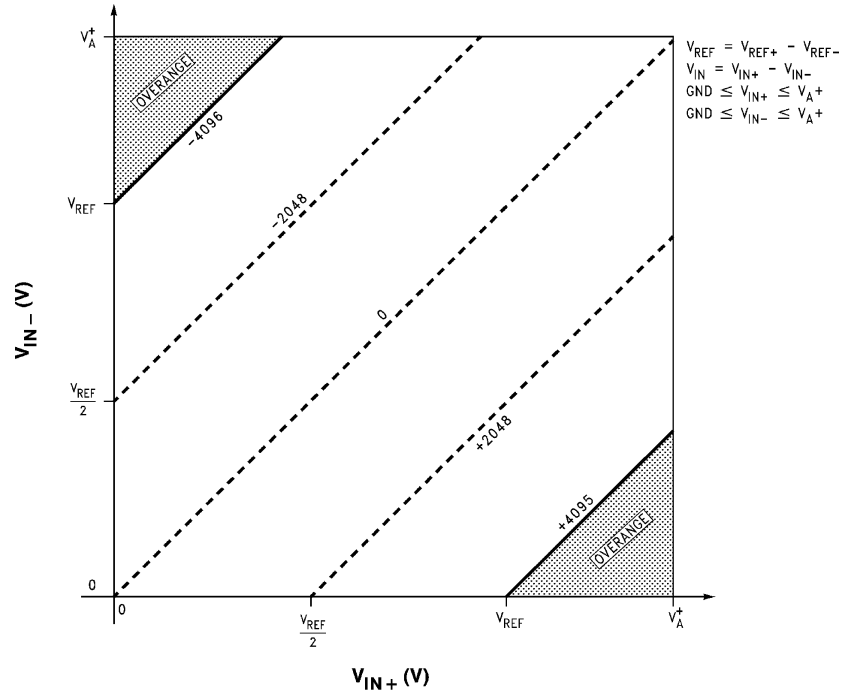
Note 19: The ADC12048 parts used to gather the information for these curves were auto-calibrated prior to taking the measurements at each test condition. The auto-calibration cycle cancels any first order drifts due to test conditions. However, each measurement has a repeatability uncertainty error of 0.2 LSB. See (Note 17).

Note 20: The reference input current is a DC average current drawn by the reference input with a full-scale sinewave input. The ADC12048 is continuously converting with a throughput rate of 206 kHz.

Note 21: These typical curves were measured during continuous conversions with a positive half-scale DC input. A 240 ns \overline{RD} pulse was applied 25 ns after the \overline{RDY} signal went low. The data bus lines were loaded with 2 HC family CMOS inputs ($C_L = 20$ pF).

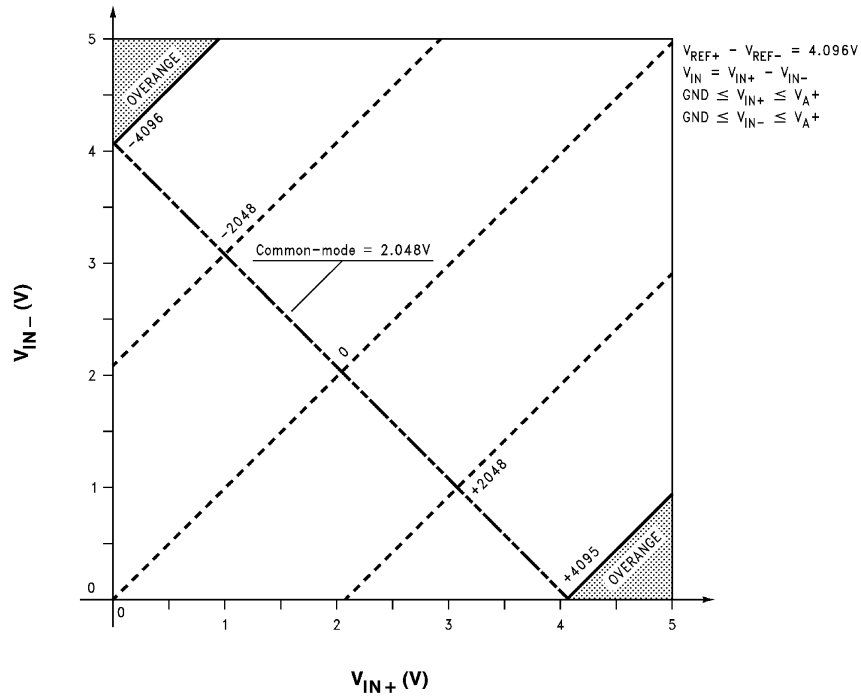
Note 22: Any other values placed in the command field are meaningless. However, if a code of 101 or 110 is placed in the command field and the \overline{CS} , \overline{RD} and \overline{WR} go low at the same time, the ADC12048 will enter a test mode. These test modes are only to be used by the manufacturer of this device. A hardware power-off and power-on reset must be done to get out of these test modes.

Electrical Characteristics



01238705

FIGURE 1. Output Digital Code vs the Operating Input Voltage Range (General Case)



01238706

FIGURE 2. Output Digital Code vs the Operating Input Voltage Range for $V_{REF} = 4.096V$

Electrical Characteristics (Continued)

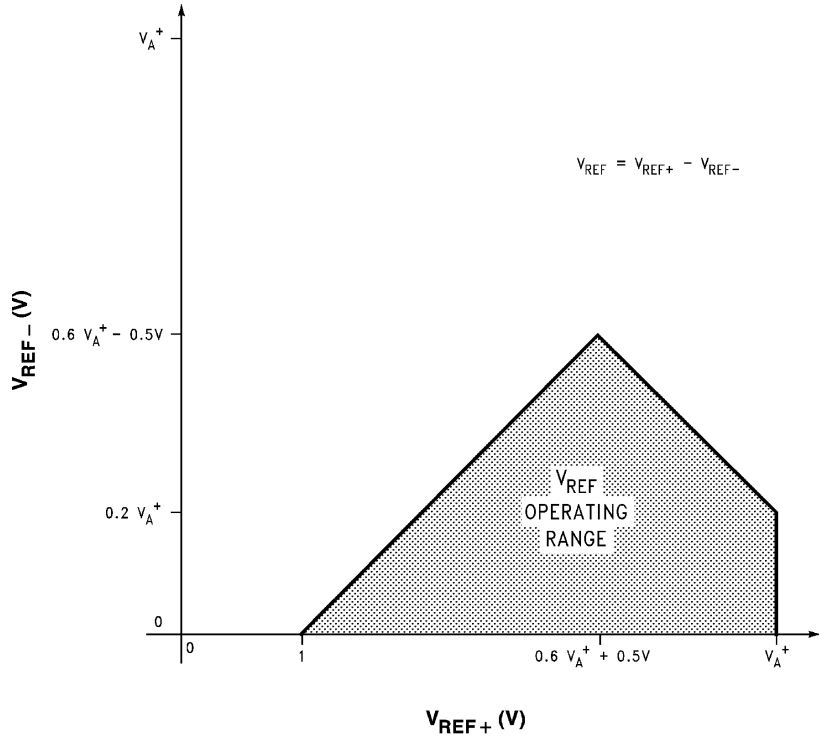


FIGURE 3. V_{REF} Operating Range (General Case)

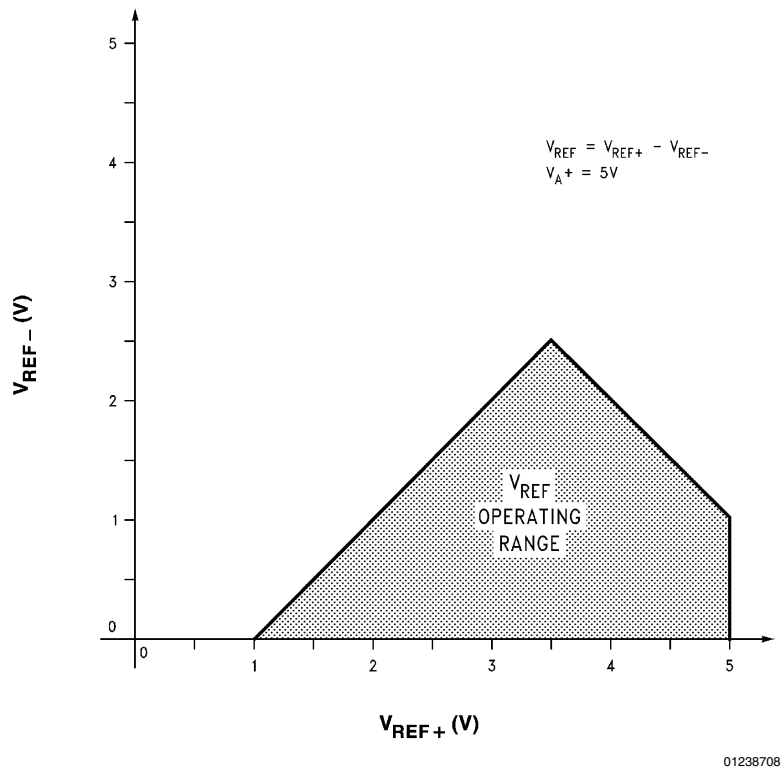
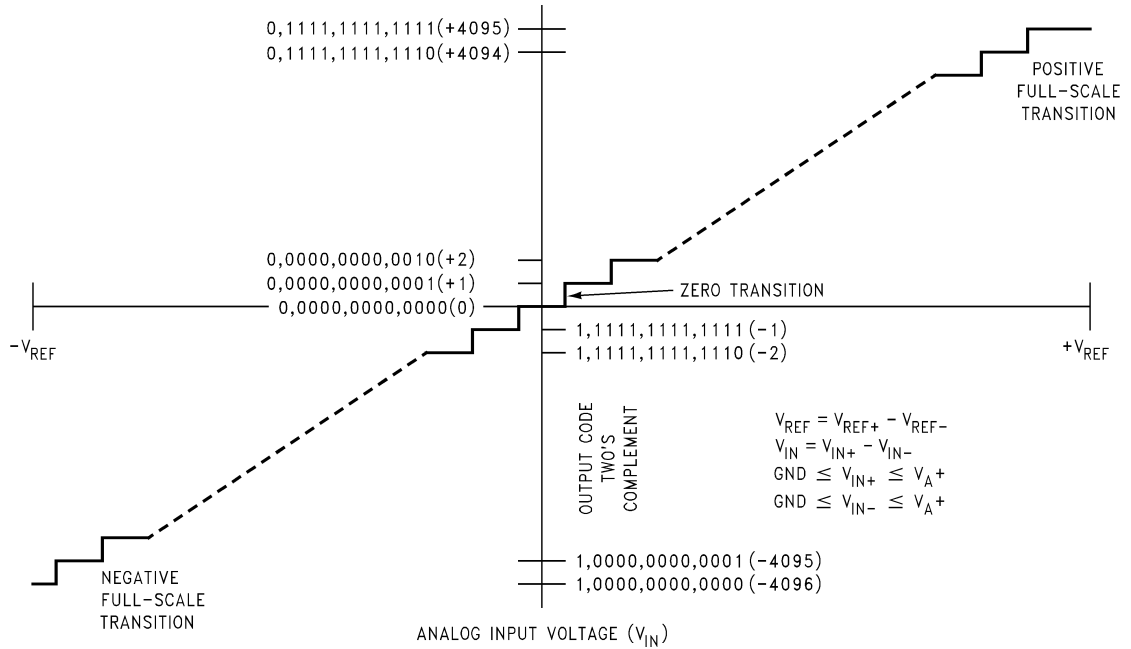


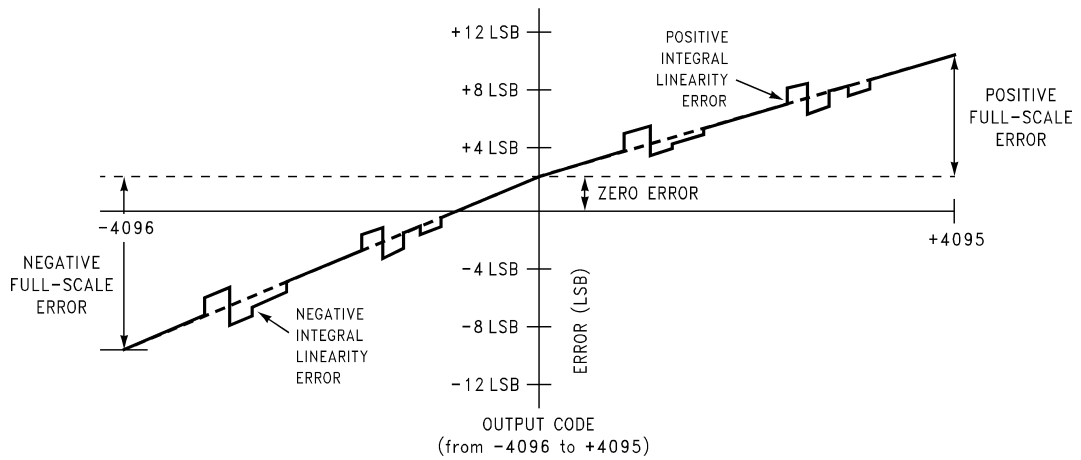
FIGURE 4. V_{REF} Operating Range for $V_A = 5V$

Electrical Characteristics (Continued)



01238709

FIGURE 5. Transfer Characteristic



01238710

FIGURE 6. Simplified Error vs Output Code without Auto-Calibration or Auto-Zero Cycles

Electrical Characteristics (Continued)

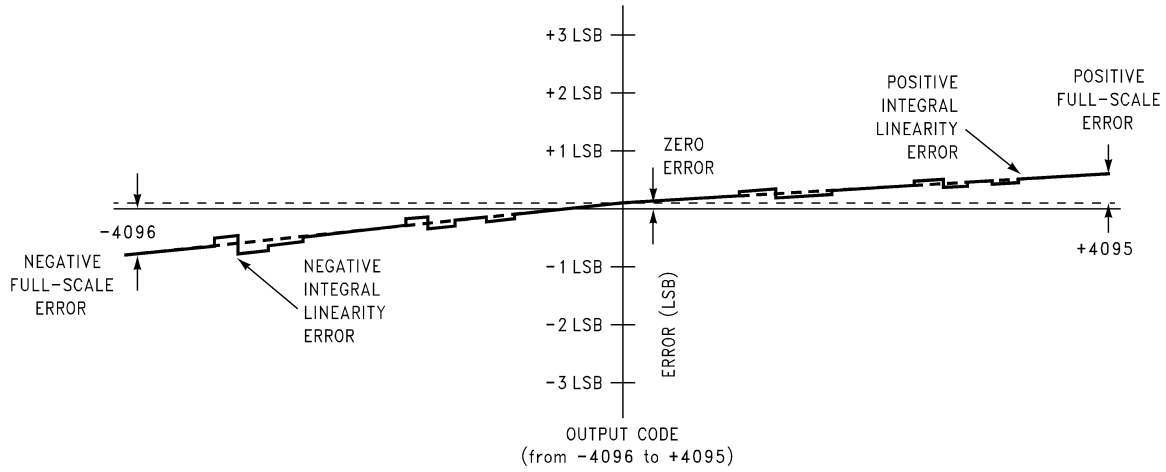


FIGURE 7. Simplified Error vs Output Code after Auto-Calibration Cycle

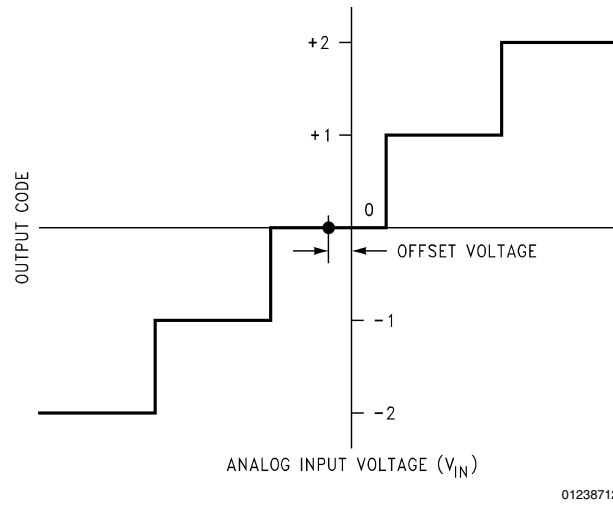
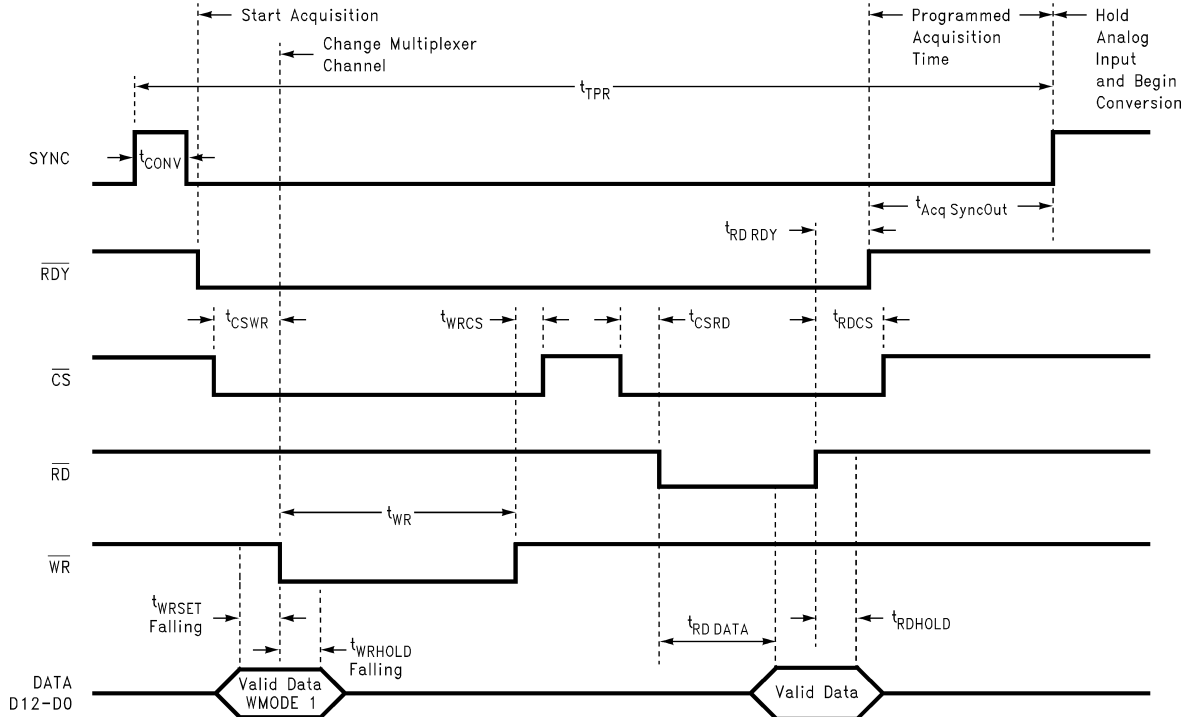


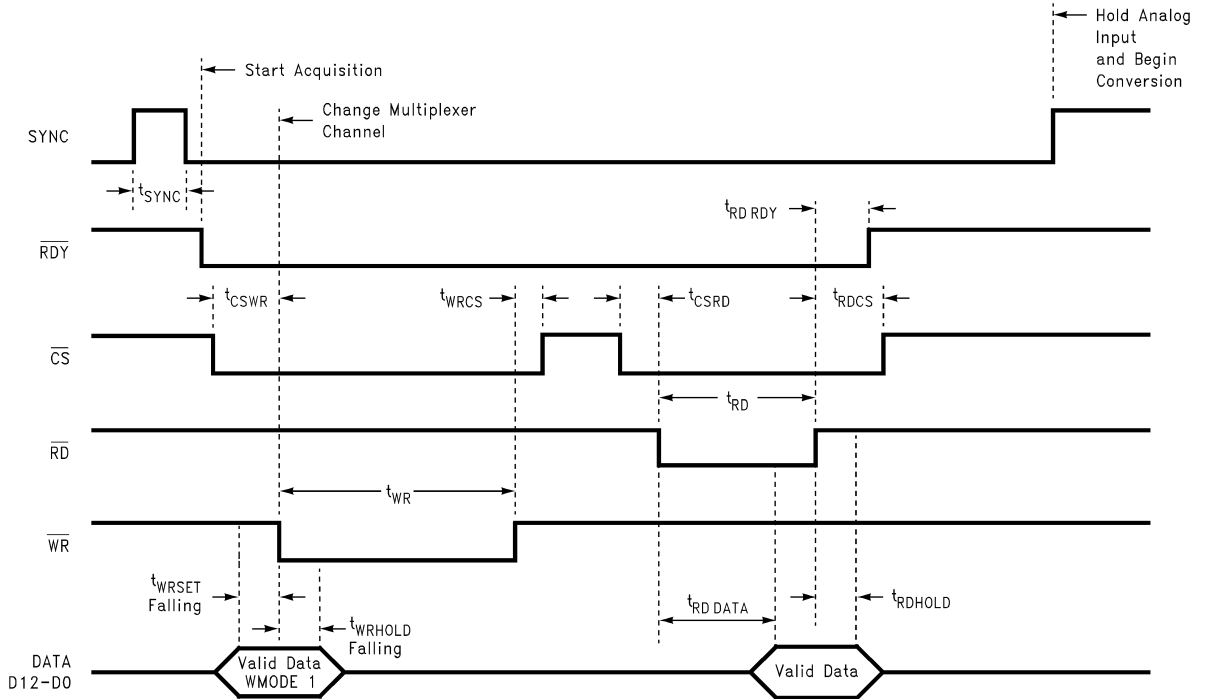
FIGURE 8. Offset or Zero Error Voltage (Note 13)

Timing Diagrams



01238713

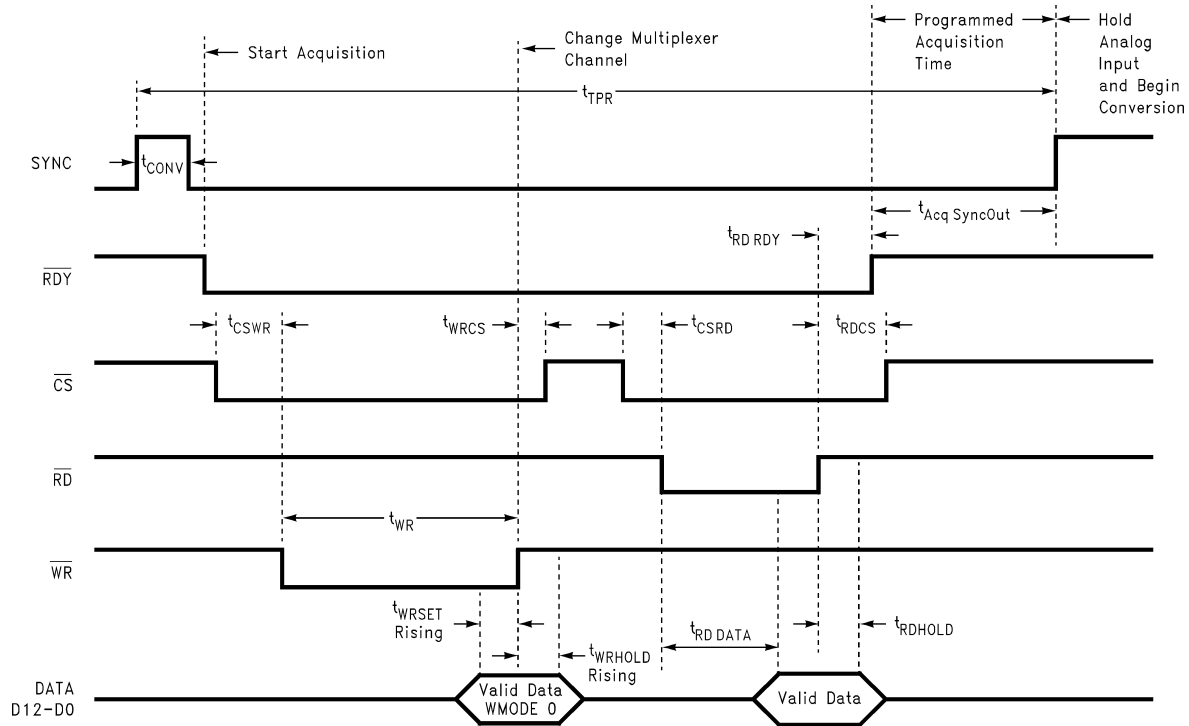
FIGURE 9. Sync-Out Write (WMODE = 1, BW = 1), Read and Convert Cycles



01238714

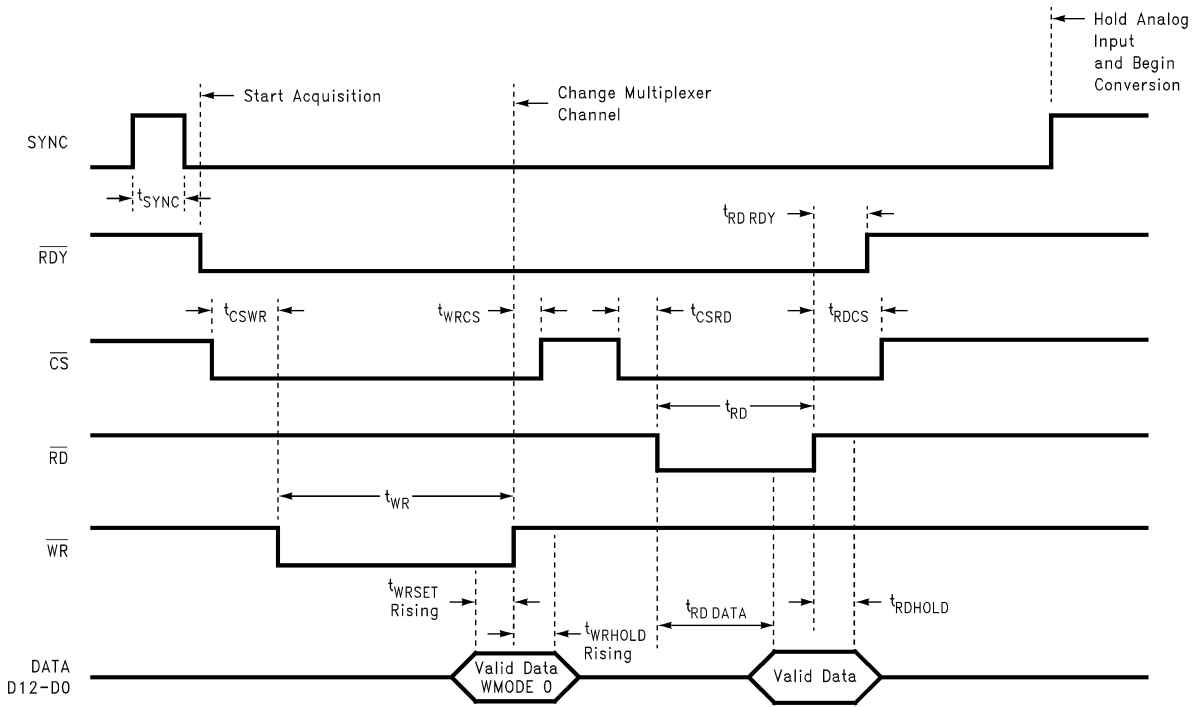
FIGURE 10. Sync-In Write (WMODE = 1, BW = 1), Read and Convert Cycles

Timing Diagrams (Continued)



01238746

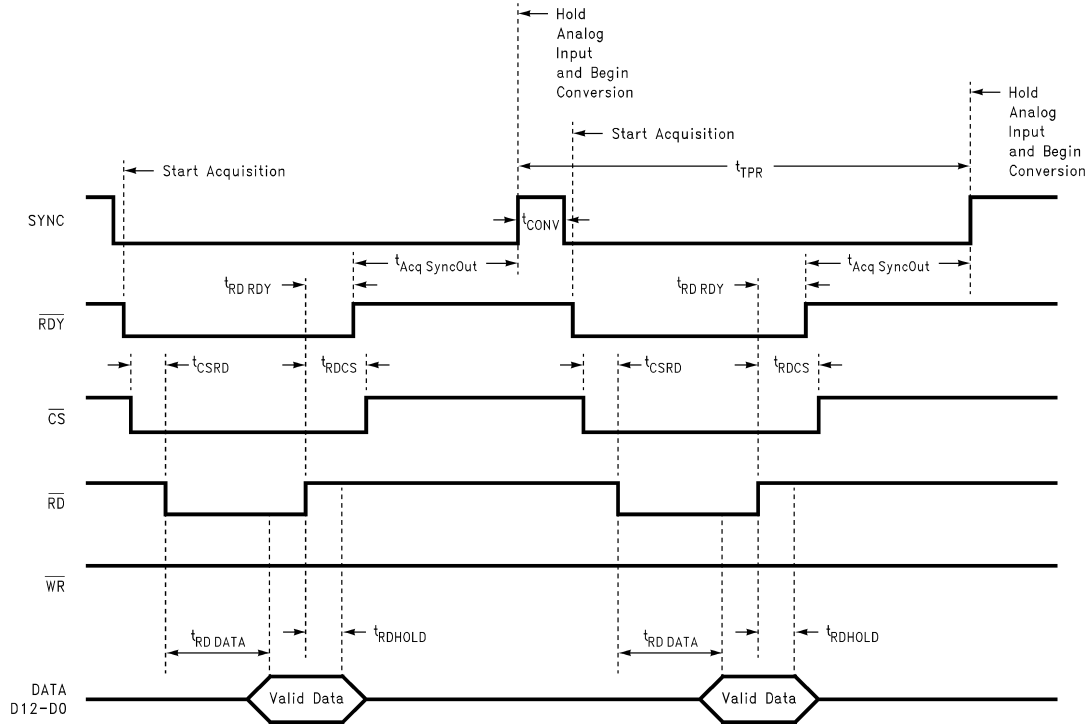
FIGURE 11. Sync-Out Write (WMODE = 0, BW = 1), Read and Convert Cycles



01238747

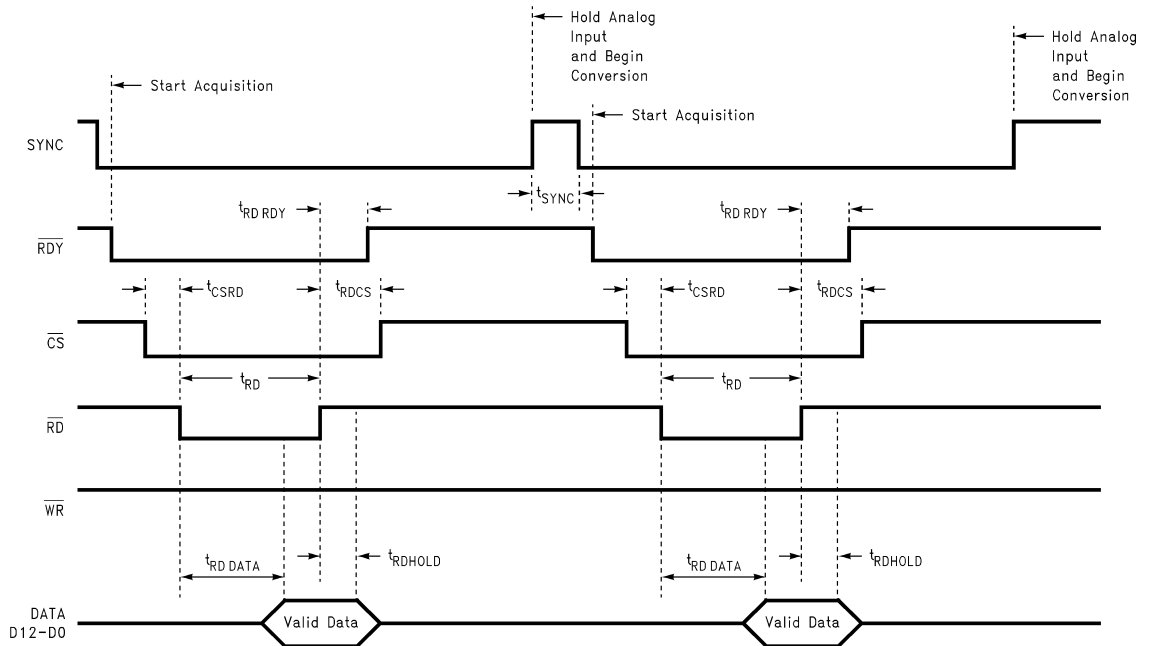
FIGURE 12. Sync-In Write (WMODE = 0, BW = 1), Read and Convert Cycles

Timing Diagrams (Continued)



01238748

FIGURE 13. Sync-Out Read and Convert Cycles. The MUX channel is the channel selected on the most recent write cycle.



01238749

FIGURE 14. Sync-In Read and Convert Cycles. The MUX channel is the channel selected on the most recent write cycle.

Timing Diagrams (Continued)

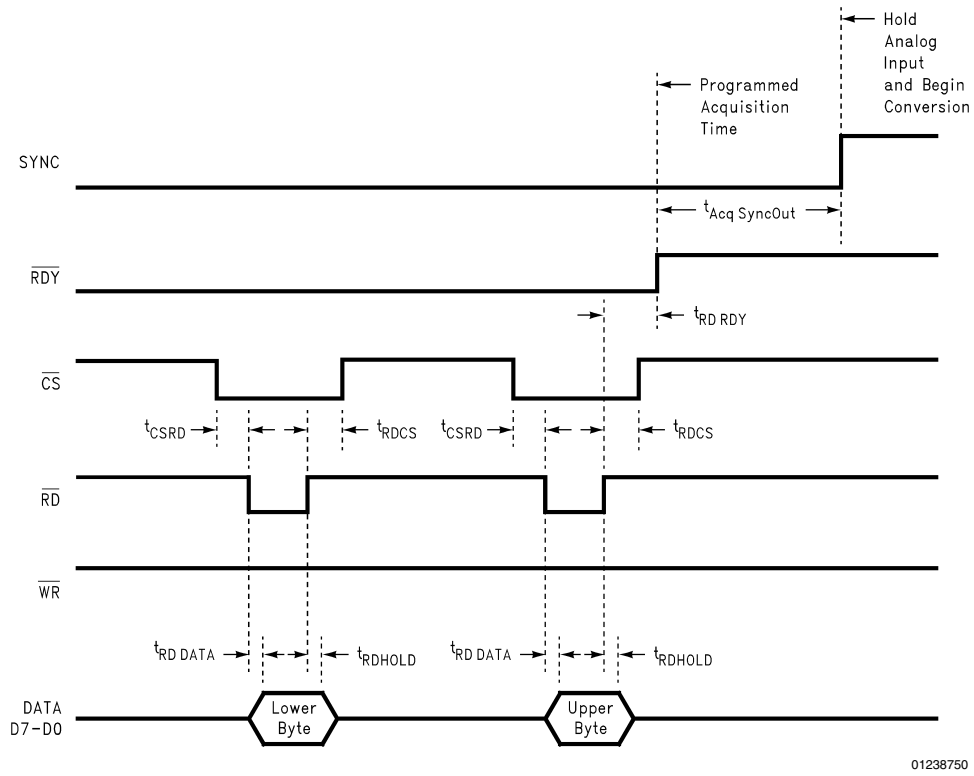


FIGURE 15. 8-Bit Bus Read Cycle (Sync-Out)

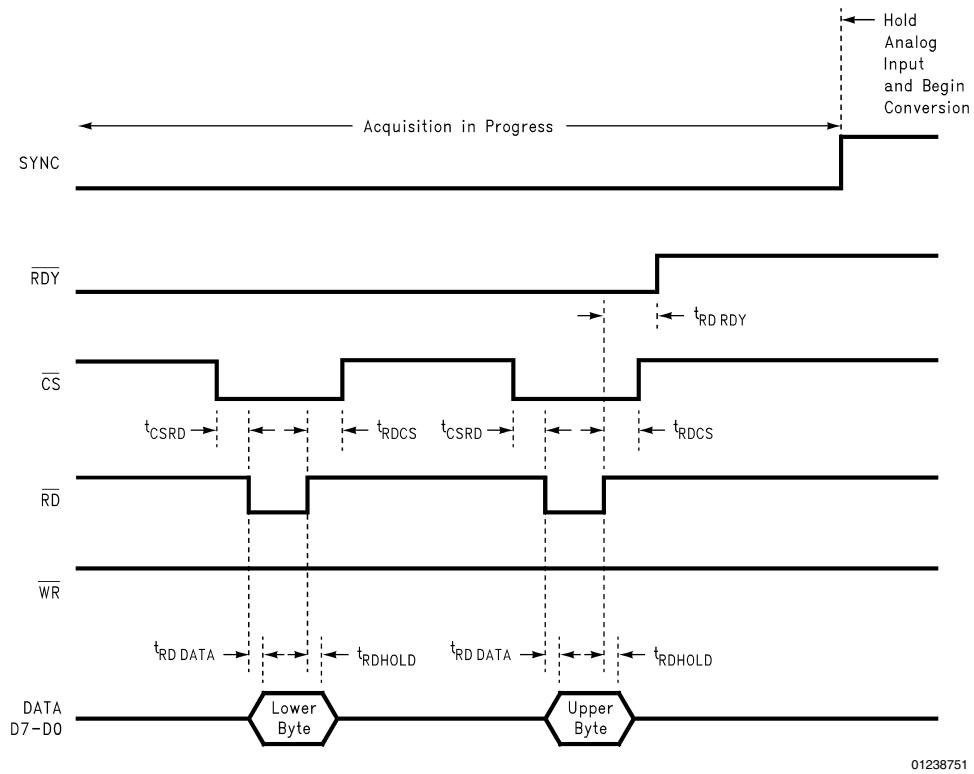


FIGURE 16. 8-Bit Bus Read Cycle (Sync-In)

Timing Diagrams (Continued)

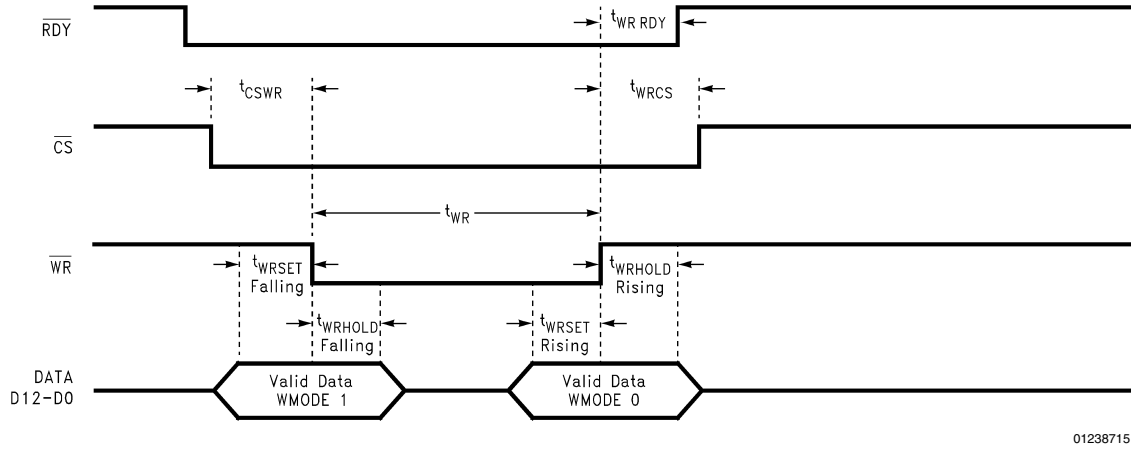


FIGURE 17. Write Signal Negates RDY (Writing the Standby, Auto-Cal or Auto-Zero Command)

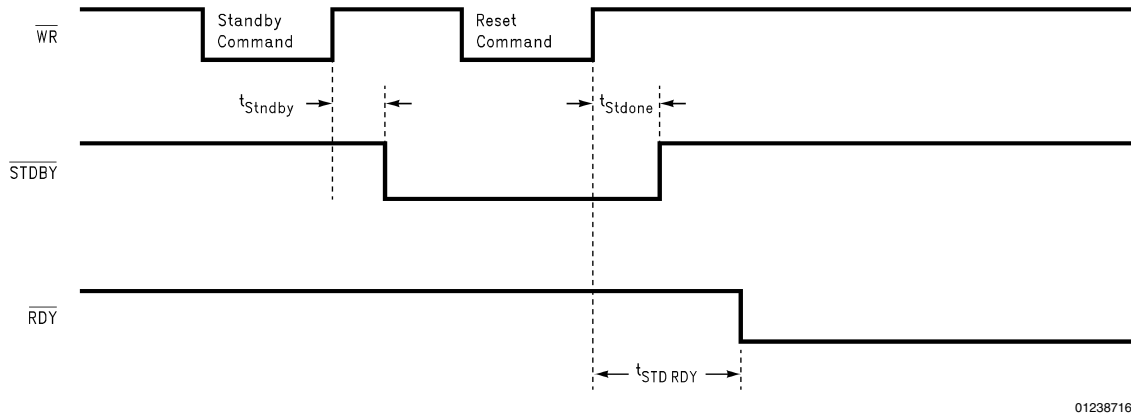
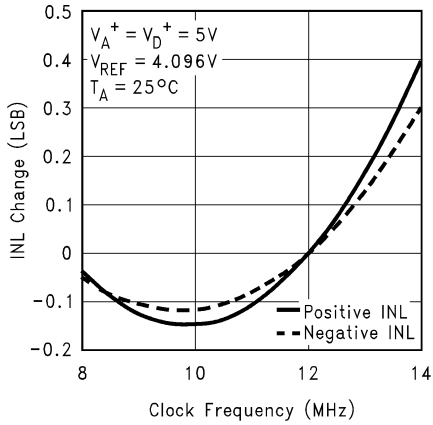


FIGURE 18. Standby and Reset Timing (13-Bit Data Bus Width)

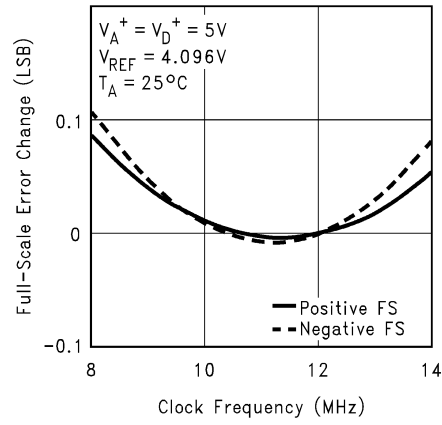
Typical Performance Characteristics (See (Note 19), Electrical Characteristic Section)

Integral Linearity Error (INL) Change vs. Clock Frequency



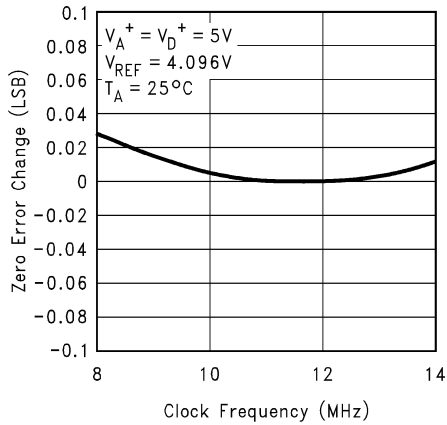
01238717

Full-Scale Error Change vs. Clock Frequency



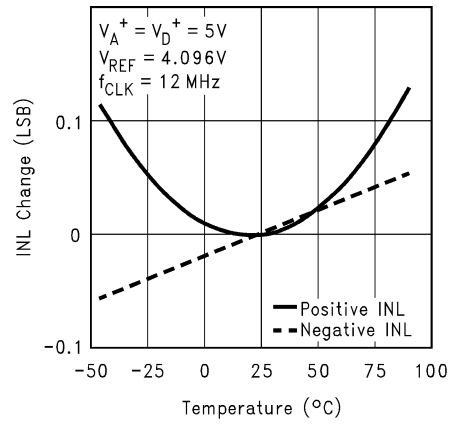
01238718

Zero Error Change vs. Clock Frequency



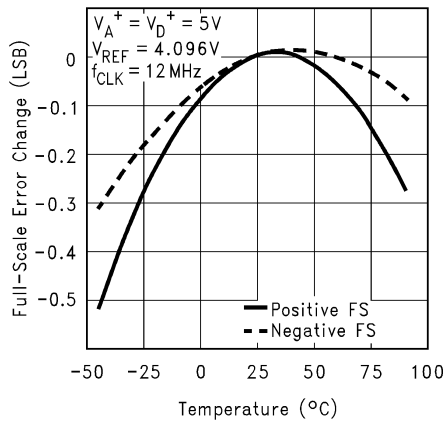
01238719

Integral Linearity Error (INL) Change vs. Temperature



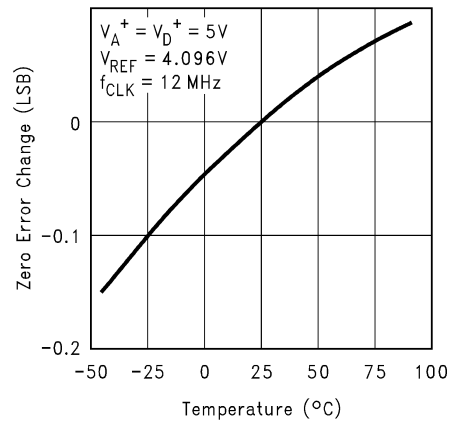
01238720

Full-Scale Error Change vs. Temperature



01238721

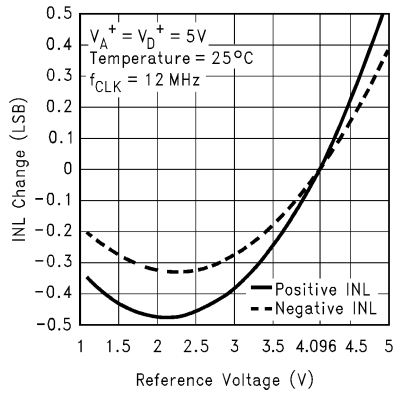
Zero Error Change vs. Temperature



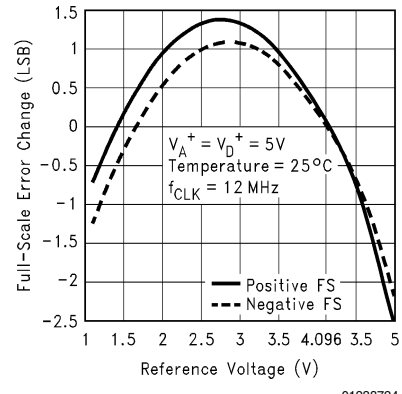
01238722

Typical Performance Characteristics (See (Note 19), Electrical Characteristic Section) (Continued)

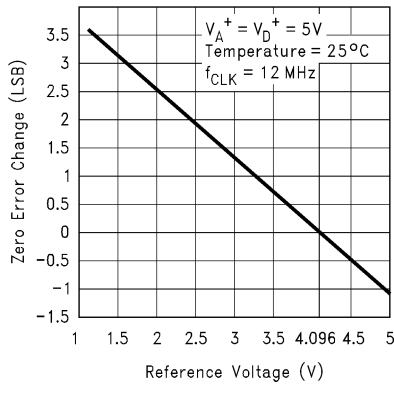
Integral Linearity Error (INL) Change vs. Reference Voltage



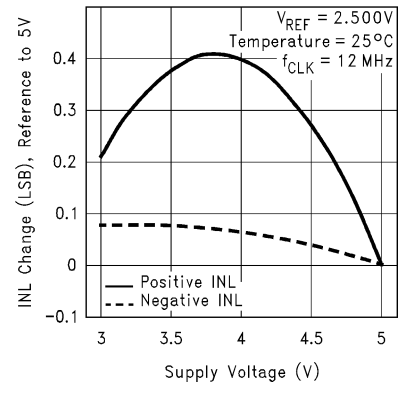
Full-Scale Error Change vs. Reference Voltage



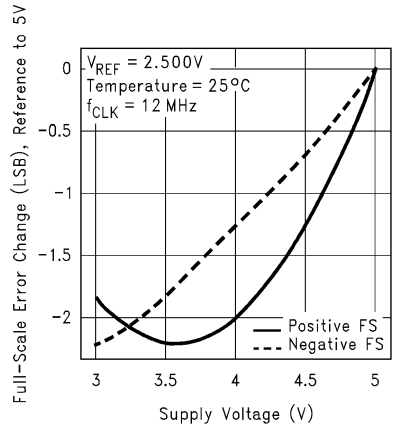
Zero Error Change vs. Reference Voltage



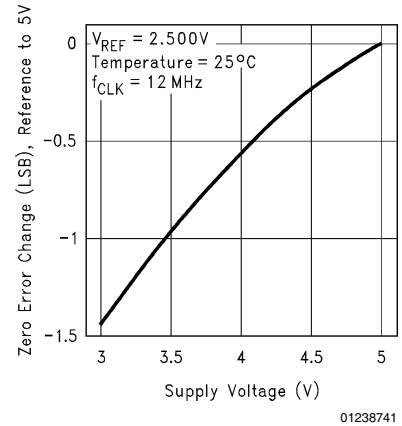
Integral Linearity Error (INL) Change vs. Supply Voltage



Full-Scale Error Change vs. Supply Voltage

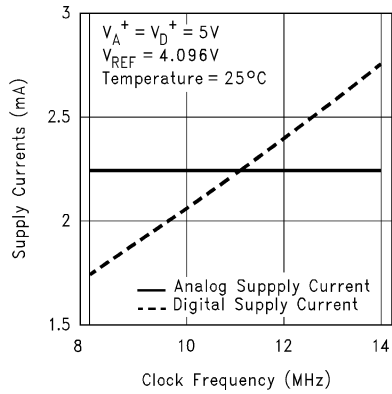


Zero Error Change vs. Supply Voltage



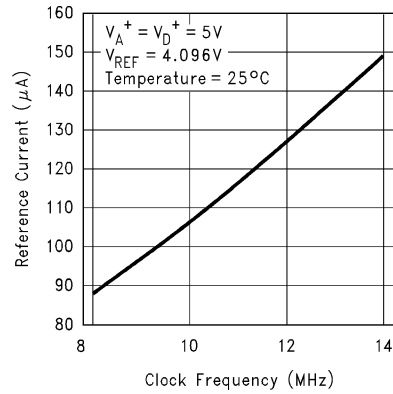
Typical Performance Characteristics (See (Note 21), Electrical Characteristic Section)

Supply Currents vs. Clock Frequency



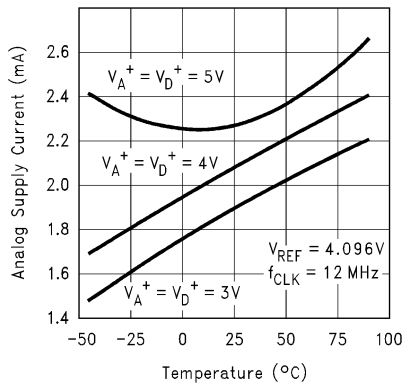
01238742

Reference Currents vs. Clock Frequency



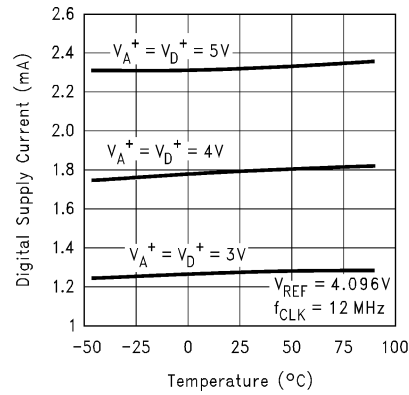
01238743

Analog Supply Current vs. Temperature



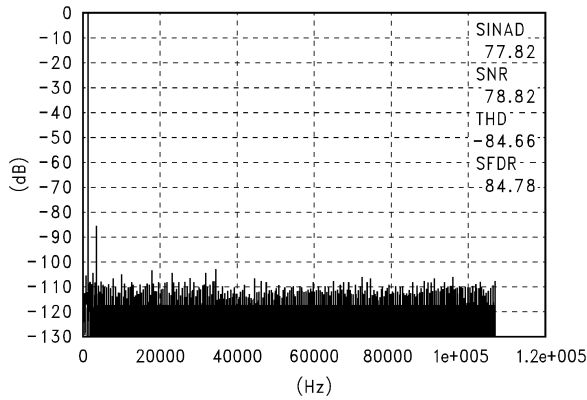
01238744

Digital Supply Current vs. Temperature



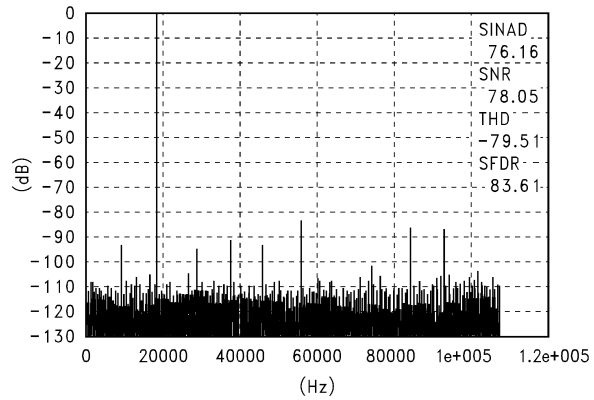
01238745

Full Scale Differential 1,099 Hz Sine Wave Input



01238726

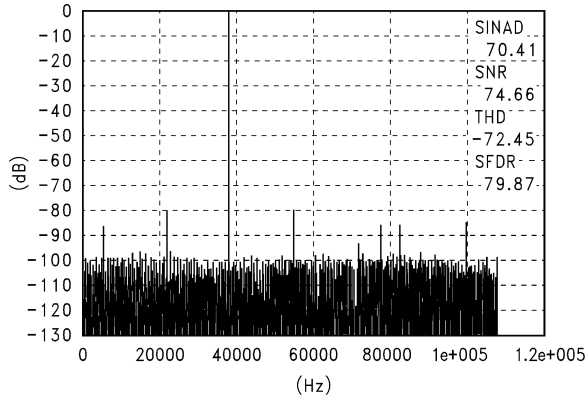
Full Scale Differential 18,677 Hz Sine Wave Input



01238727

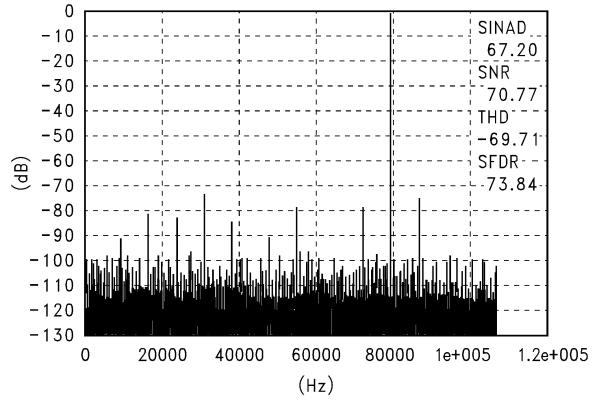
Typical Performance Characteristics (See (Note 21), Electrical Characteristic Section) (Continued)

Full Scale Differential 38,452 Hz Sine Wave Input



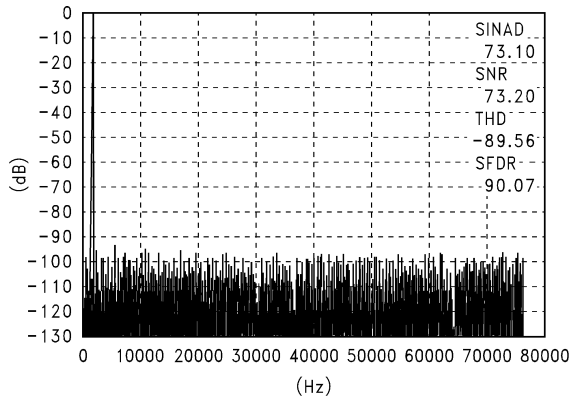
01238728

Full Scale Differential 79,468 Hz Sine Wave Input



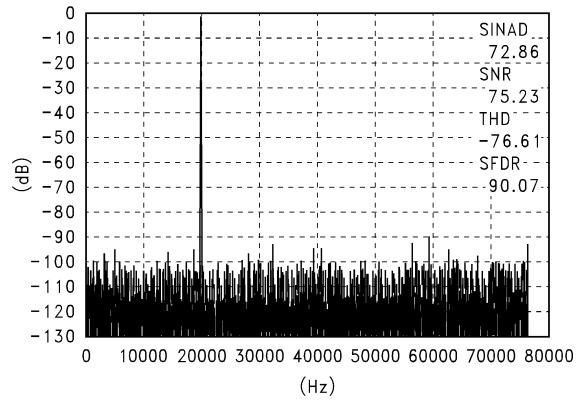
01238729

Half Scale Differential 1 kHz Sine Wave Input, $f_s = 153.6$ kHz



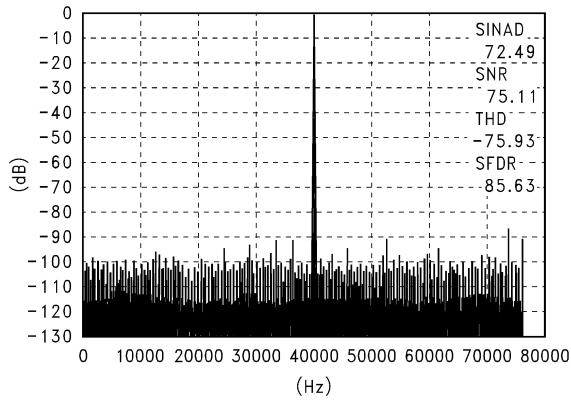
01238730

Half Scale Differential 20 kHz Sine Wave Input, $f_s = 153.6$ kHz



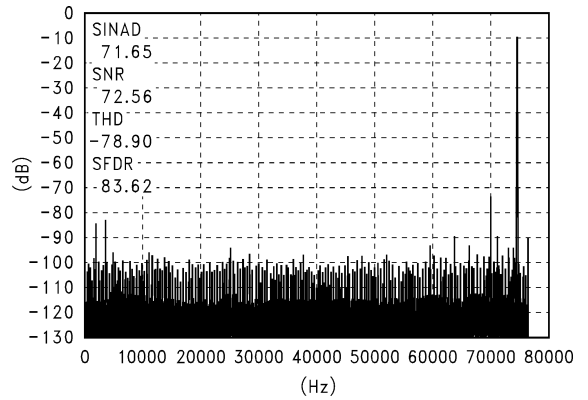
01238731

Half Scale Differential 40 kHz Sine Wave Input, $f_s = 153.6$ kHz



01238732

Half Scale Differential 75 kHz Sine Wave Input, $f_s = 153.6$ kHz



01238733

Register Bit Description

CONFIGURATION REGISTER (Write Only)

of this register cannot be read.

This is a 13-bit write-only register that is used to program the functionality of the ADC12048. All data written to the ADC12048 will always go to this register only. The contents

MSB											LSB	
b ₁₂	b ₁₁	b ₁₀	b ₉	b ₈	b ₇	b ₆	b ₅	b ₄	b ₃	b ₂	b ₁	b ₀
BW	COMMAND FIELD			SYNC	HB	SE	ACQ TIME		MUX ADDRESS			

Power on State: 0100Hex

b₃–b₀: The MUX ADDRESS bits configure the analog input MUX. They select which input channels of the MUX will

connect to the MUXOUT+ and MUXOUT– pins. (Refer to the **MUX** section for more details on the MUX.) **Power-up** value is 0000.

TABLE 1. MUX Channel Assignment

b ₃	b ₂	b ₁	b ₀	MUXOUT+	MUXOUT–
0	0	0	0	CH0	CH1
0	0	0	1	CH1	CH0
0	0	1	0	CH2	CH3
0	0	1	1	CH3	CH2
0	1	0	0	CH4	CH5
0	1	0	1	CH5	CH4
0	1	1	0	CH6	CH7
0	1	1	1	CH7	CH6
1	0	0	0	CH0	COM
1	0	0	1	CH1	COM
1	0	1	0	CH2	COM
1	0	1	1	CH3	COM
1	1	0	0	CH4	COM
1	1	0	1	CH5	COM
1	1	1	0	CH6	COM
1	1	1	1	CH7	COM

b₅–b₄: The ACQ TIME bits select one of four possible acquisition times in SYNC-OUT mode. (Refer to **Selectable**

Acquisition Time section.)

b ₅	b ₄	Clocks
0	0	9
0	1	15
1	0	47
1	1	79

b₆: When the Single-Ended bit (SE bit) is set, conversion results will be limited to positive values only and any negative conversion results will appear as a code of zero in the Data register. The SE bit is cleared at **power-up**.

b₇: The High Byte bit (HB) is meaningful only in 8-bit mode (BW bit b₁₂ = “0”) and is a don’t care condition in 13-bit mode (BW bit b₁₂ = “1”). This bit is used to access the upper byte of the Configuration Register in 8-bit mode. When this bit is set and bit b₁₂ = 0, the next byte written to the ADC12048 will program the upper byte of the Configuration register. The HB bit will automatically be cleared when data is written to the upper byte of the Configuration register, allowing the lower byte to be accessed with the next write. The HB bit is cleared at **power-up**.

b₈: The SYNC bit. When the SYNC bit is set, the SYNC pin is programmed as an input and the converter is in synchronous mode. In this mode a rising edge on the SYNC pin causes the ADC to hold the input signal and begin a conversion. When b₁₅ cleared, the SYNC pin is programmed as an output and the converter is in an asynchronous mode. In this mode the signal at the SYNC pin indicates the status of the converter. The SYNC pin is high when a conversion is taking place. The SYNC bit is set at **power-up**.

b₁₁–b₉: The command field. These bits select the mode of operation of the ADC12048. **Power-up** value is 000. (See (Note 22))

Register Bit Description (Continued)

b ₁₁	b ₁₀	b ₉	Command
0	0	0	Standby command. This puts the ADC in a low power consumption mode
0	0	1	Ful-Cal command. This will cause the ADC to perform a self-calibrating cycle that will correct linearity and zero errors.
0	1	0	Auto-zero command. This will cause the ADC to perform an auto-zero cycle that corrects offset errors.
0	1	1	Reset command. This puts the ADC in an idle mode.
1	0	0	Start command. This will put the converter in a start mode, preparing it to perform a conversion. If in asynchronous mode (b ₈ = "0"), conversions will immediately begin after the programmed acquisition time has ended. In synchronous mode (b ₈ = "1"), conversions will begin after a rising edge appears on the SYNC pin.

b₁₂: This is the Bus Width (BW) bit. When this bit is a '0' the ADC12048 is configured to interface with an 8-bit data bus; data pins D₇–D₀ are active and pins D₁₂–D₉ are in TRI-STATE. When the BW bit is a '1', the ADC12048 is configured to interface with a 16-bit data bus and data pins D₁₃–D₀ are all active. The BW bit is a '0' at **power-up**.

register on the data bus. When reading the data register in 8-bit mode, the sign bit is extended (b₁₂ through b₈ all contain the sign bit).

DATA REGISTER (Read Only)

This is a 13-bit read only register that holds the 12-bit +sign conversion result in two's complement form. All reads performed from the ADC12048 will place the contents of this

MSB												LSB
b ₁₂	b ₁₁	b ₁₀	b ₉	b ₈	b ₇	b ₆	b ₅	b ₄	b ₃	b ₂	b ₁	b ₀
sign	Conversion Data											

Power on State: 0000Hex

b₁₁–b₀: b₁₁ is the most significant bit and b₀ is the least significant bit of the conversion result.

b₁₂: This bit contains the sign of the conversion result: 0 for positive results and 1 for negative.

Functional Description

The ADC12048 is programmed through a digital interface that supports an 8-bit or 16-bit data bus. The digital interface consists of a 13-bit data input/output bus (D₁₂–D₀), digital control signals and two internal registers: a **write** only 13-bit **Configuration** register and a **read** only 13-bit **Data** register.

The Configuration register programs the functionality of the ADC12048. The 13 bits of the Configuration register are divided into 7 fields. Each field controls a specific function of the ADC12048: the channel selection of the MUX, the acquisition time, synchronous or asynchronous conversions, mode of operation and the data bus size.

Features and Operating Modes

SELECTABLE BUS WIDTH

The ADC12048 can be programmed to interface with an 8-bit or 16-bit data bus. The BW bit (b₁₂) in the Configuration register controls the bus size. The bus width is set to **8 bits** (D₇–D₀ are active and D₁₂–D₈ are in TRI-STATE) if the BW bit is cleared or **13 bits** (D₁₂–D₀ are active) if the BW bit is set. At **power-up** the bus width defaults to 8 bits and any initial programming of the ADC12048 should take this into consideration.

In **8-bit** mode the Configuration register is byte accessible. The HB bit in the lower byte of the Configuration register is

used to access the upper byte. If the HB bit is set with a write to the lower byte, the next byte written to the ADC will be placed in the upper byte of the Configuration register. After data is written to the upper byte of the Configuration register, the HB bit will automatically be cleared, causing the next byte written to the ADC to go to the lower byte of the Configuration register. When reading the ADC in 8-bit mode, the first read cycle places the lower byte of the Data register on the data bus followed by the upper byte during the next read cycle.

In **13-bit** mode the HB bit is a don't care condition and all bits of the data register and Configuration register are accessible with a single read or write cycle. Since the bus width of the ADC12048 defaults to 8 bits after power-up, the first action when 13-bit mode is desired must be set to the bus width to 13 bits.

WMODE

The WMODE pin is used to determine the active edge of the write pulse. The state of this pin determines which edge of the \overline{WR} signal will cause the ADC to latch in data. This is processor dependent. If the processor has valid data on the bus during the falling edge of the \overline{WR} signal, the WMODE pin must be tied to V_{D+}. This will cause the ADC to latch the data on the falling edge of the \overline{WR} signal. If data is valid on the rising edge of the \overline{WR} signal, the WMODE pin must be tied to DGND causing the ADC to latch in the data on the rising edge of the \overline{WR} signal.

INPUT MULTIPLEXER

The ADC12048 has an eight channel input multiplexer with a COM input that can be used in a single-ended, pseudo-differential or fully-differential mode. The MUX select

Features and Operating Modes

(Continued)

bits (b_3 – b_0) in the Configuration register determine which channels will appear at the MUXOUT+ and MUXOUT– multiplexer output pins. (Refer to Register Bit Description Section.) Analog signal conditioning with fixed-gain amplifiers, programmable-gain amplifiers, filters and other processing circuits can be used at the output of the multiplexer before being applied to the ADC inputs. The ADCIN+ and ADCIN– are the fully differential non-inverting (positive) and inverting (negative) inputs to the analog-to-digital converter (ADC) of the ADC12048. If no external signal conditioning is required on the signal output of the multiplexer, MUXOUT+ should be connected to ADCIN+ and MUXOUT– should be connected to ADCIN–.

The analog input multiplexer can be set up to operate in either one of eight differential or eight single-ended (the COM input as the zero reference) modes. In the differential mode, the analog inputs are paired as follows: CH0 with CH1, CH2 with CH3, CH4 with CH5 and CH6 with CH7. The input channel pairs can be connected to the MUXOUT+ and MUXOUT– pins in any order. In the single-ended mode, one of the input channels, CH0 through CH7, can be assigned to MUXOUT+ while the MUXOUT– is always assigned to the COM input.

STANDBY MODE

The ADC12048 has a low power consumption mode (75 μ W @5V). This mode is entered when a Standby command is written in the command field of the Configuration register. A logic low appearing on the STDBY output pin indicates that the ADC12048 is in the Standby mode. Any command other than the Standby command written to the Configuration register will get the ADC12048 out of the Standby mode. The STDBY pin will immediately switch to a logic “1” as soon as the ADC12048 is requested to get out of the standby mode. The RDY pin will then be asserted low when the ADC is actually out of the Standby mode and ready for normal operation. The ADC12048 defaults to the Standby mode following a hardware **power-up**. This can be verified by examining the logic low status of the STDBY pin.

SYNC/ASYNCH MODE

The ADC12048 may be programmed to operate in synchronous (SYNC-IN) or asynchronous (SYNC-OUT) mode. To enter synchronous mode, the SYNC bit in the Configuration register must be set. The ADC12048 is in synchronous mode after a hardware **power-up**. In this mode, the SYNC pin is programmed as an input and conversions are synchronized to the rising edges of the signal applied at the SYNC pin. Acquisition time can also be controlled by the SYNC signal when in synchronous mode. Refer to the sync-in timing diagrams. When the SYNC bit is cleared, the ADC is in asynchronous mode and the SYNC pin is programmed as an output. In asynchronous mode, the signal at the SYNC pin indicates the status of the converter. This pin is high when the converter is performing a conversion. Refer to the sync-out timing diagrams.

SELECTABLE ACQUISITION TIME

The ADC12048's internal sample/hold circuitry samples an input voltage by connecting the input to an internal sampling capacitor (approximately 70 pF) through an effective resistance equal to the multiplexer “On” resistance (300 Ω max) plus the “On” resistance of the analog switch at the input to

the sample/hold circuit (2500 Ω typical) and the effective output resistance of the source. For conversion results to be accurate, the period during which the sampling capacitor is connected to the source (the “acquisition time”) must be long enough to charge the capacitor to within a small fraction of an LSB of the input voltage. An acquisition time of 750 ns is sufficient when the external source resistance is less than 1 k Ω and any active or reactive source circuitry settles to 12 bits in less than 500 ns. When source resistance or source settling time increase beyond these limits, the acquisition time must also be increased to preserve precision.

In asynchronous (SYNC-OUT) mode, the acquisition time is controlled by an internal counter. The minimum acquisition period is 9 clock cycles, which corresponds to the nominal value of 750 ns when the clock frequency is 12 MHz. Bits b_4 and b_5 of the Configuration Register are used to select the acquisition time from among four possible values (9, 15, 47, or 79 clock cycles). Since acquisition time in the asynchronous mode is based on counting clock cycles, it is also inversely proportional to clock frequency:

$$T_{ACQ}(\mu s) = \frac{\text{number of clock cycles}}{f_{CLK} \text{ (MHz)}}$$

Note that the actual acquisition time will be longer than T_{ACQ} because acquisition begins either when the multiplexer channel is changed or when \overline{RDY} goes low, if the multiplexer channel is not changed. After a read is performed, \overline{RDY} goes high, which starts the T_{ACQ} counter (see Figure 9).

In synchronous (SYNC-IN) mode, bits b_4 and b_5 are ignored, and the acquisition time depends on the sync signal applied at the SYNC pin. If a new MUX channel is selected at the start of the conversion, the acquisition period begins on the active edge of the WR signal that latches in the new MUX channel. If no new MUX channel is selected, the acquisition period begins on the falling edge of RDY, which occurs at the end of the previous conversion (or at the end of an autozero or autocalibration procedure). The acquisition period ends when SYNC goes high.

To estimate the acquisition time necessary for accurate conversions when the source resistance is greater than 1 k Ω , use the following expression:

$$\begin{aligned} T_{ACQMIN}(\mu s) &= \frac{0.75(R_S + R_M + R_{S/H})}{1 \text{ k}\Omega + R_M + R_{S/H}} \\ &= \frac{0.75(R_S + 2800)}{3800} \end{aligned}$$

where R_S is the source resistance, R_M is the MUX “On” resistance, and $R_{S/H}$ is the sample/hold “On” resistance.

If the settling time of the source is greater than 500 ns, the acquisition time should be about 300 ns longer than the settling time for a “well-behaved”, smooth settling characteristic.

FULL CALIBRATION CYCLE

A full calibration cycle compensates for the ADC's linearity and offset errors. The converter's DC specifications are guaranteed only after a full calibration has been performed. A full calibration cycle is initiated by writing a Ful-Cal command to the ADC12048. During a full calibration, the offset

Features and Operating Modes

(Continued)

error is measured eight times, averaged and a correction coefficient is created. The offset correction coefficient is stored in an internal offset correction register.

The overall linearity correction is achieved by correcting the internal DAC's capacitor mismatches. Each capacitor is compared eight times against all remaining smaller value capacitors. The errors are averaged and correction coefficients are created.

Once the converter has been calibrated, an arithmetic logic unit (ALU) uses the offset and linearity correction coefficients to reduce the conversion offset and linearity errors to within guaranteed limits.

AUTO-ZERO CYCLE

During an auto-zero cycle, the offset is measured only once and a correction coefficient is created and stored in an internal offset register. An auto-zero cycle is initiated by writing an Auto-Zero command to the ADC12048.

DIGITAL INTERFACE

The digital control signals are \overline{CS} , \overline{RD} , \overline{WR} , \overline{RDY} and \overline{STDBY} . Specific timing relationships are associated with the interaction of these signals. Refer to the Digital Timing Diagrams section for detailed timing specifications. The active low \overline{RDY} signal indicates when a certain event begins and ends. It is recommended that the ADC12048 should only be accessed when the \overline{RDY} signal is low. It is in this state that the ADC12048 is ready to accept a new command. This will minimize the effect of noise generated by a switching data bus on the ADC. The only exception to this is when the ADC12048 is in the standby mode at which time the \overline{RDY} is high and the \overline{STDBY} signal is low. The ADC12048 is in the standby mode at power up or when a STANDBY command is issued. A Ful-Cal, Auto-Zero, Reset or Start command will get the ADC12048 out of the standby mode. This may be observed by monitoring the status of the \overline{RDY} and \overline{STDBY} signals. The \overline{RDY} signal will go low and the \overline{STDBY} signal high when the ADC12048 leaves the standby mode.

The following describes the state of the digital control signals for each programmed event in both 8-bit and 13-bit mode. \overline{RDY} should be low before each command is issued except for the case when the device is in standby mode.

FUL-CAL OR AUTO-ZERO COMMAND

8-bit mode: The first write to the ADC12048 will place the data in the lower byte of the Configuration register. This byte must set the HB bit (b_7) to allow access to the upper byte of the Configuration register during the next write cycle. During the second write cycle, the Ful-Cal or Auto-Zero command must be issued. The edge of the second write pulse on the \overline{WR} pin will force the \overline{RDY} signal high. At this time the converter begins executing a full calibration or auto-zero cycle. The \overline{RDY} signal will automatically go low when the full calibration or auto-zero cycle is done.

13-bit mode: In a single write cycle the Ful-Cal or Auto-Zero command must be written to the ADC12048. The edge of the \overline{WR} signal will force the \overline{RDY} high. At this time the converter begins executing a full calibration or auto-zero cycle. The \overline{RDY} signal will automatically go low when the full calibration or auto-zero cycle is done.

STARTING A CONVERSION: START COMMAND

In order to completely describe the events associated with the Start command, both the SYNC-OUT and SYNC-IN modes must be considered.

SYNC-OUT/Asynchronous

8-bit mode: The first byte written to the ADC12048 should set the MUX channel, the acquisition time and the HB bit. The second byte should clear the SYNC bit, write the START command and clear the BW bit. In order to initiate a conversion, two reads must be performed from the ADC12048. The rising edge of the second read pulse will force the \overline{RDY} pin high and begin the programmed acquisition time selected by bits b_5 and b_4 of the configuration register. The SYNC pin will go high indicating that a conversion sequence has begun following the end of the acquisition period. The \overline{RDY} and SYNC signal will fall low when the conversion is done. At this time new information, such as a new MUX channel, acquisition time and operational command can be written into the configuration register or it can remain unchanged. Assuming that the START command is in the Configuration register, the previous conversion can be read. The first read places the lower byte of the conversion result contained in the Data register on the data bus. The second read will place the upper byte of the conversion result stored in the Data register on the data bus. The rising edge on the second read pulse will begin another conversion sequence and raise the \overline{RDY} and SYNC signals appropriately.

13-bit mode: The MUX channel and the acquisition time should be set, the SYNC bit cleared and the START command issued with a single write to the ADC12048. In order to initiate a conversion, a single read must be performed from the ADC12048. The rising edge of the read signal will force the \overline{RDY} signal high and begin the programmed acquisition time selected by bits b_5 and b_4 of the configuration register. The SYNC pin will go high indicating that a conversion sequence has begun following the end of the acquisition period. The \overline{RDY} and SYNC signal will fall low when the conversion is done. At this time new information, such as a new MUX channel, acquisition time and operational command can be written into the configuration register or it can remain unchanged. With the START command in the Configuration register, a read from the ADC12048 will place the entire 13-bit conversion result stored in the data register on the data bus. The rising edge of the read pulse will immediately force the \overline{RDY} output high. The SYNC will then go high following the elapse of the programmed acquisition time in the configuration register's bits b_5 and b_4 .

SYNC-IN/Synchronous

For the SYNC-IN case, it is assumed that a series of SYNC pulses at the desired sampling rate are applied at the SYNC pin of the ADC12048.

8-bit mode: The first byte written to the ADC12048 should set the MUX channel and the HB bit. The second byte should set the SYNC bit, write the START command and clear the BW bit.

A rising edge on the SYNC pin or the second rising edge of two consecutive reads from the ADC12048 will force the \overline{RDY} signal high. It is recommended that the action of reading from the ADC12048 (not the rising edge of the SYNC signal) be used to raise the \overline{RDY} signal. In the SYNC-IN mode, only the rising edge of the SYNC signal will begin a conversion cycle. The rising edge of the SYNC also ends the acquisition period. The acquisition period begins following a write cycle containing MUX channel information. The selected MUX channel is sampled after the rising edge of the

Features and Operating Modes

(Continued)

\overline{WR} signal until the rising edge of the SYNC pulse, at which time the signal will be held and conversion begins. The \overline{RDY} signal will go low when the conversion is done. A new MUX channel and/or operational command may be written into the Configuration register at this time, if needed. Two consecutive read cycles are required to retrieve the entire 13-bit conversion result from the ADC12048's data register. The first read will place the lower byte of the conversion result contained in the Data register on the data bus. The second read will place the upper byte of the conversion result stored in the Data register on the data bus. With the START command in the configuration register, the rising edge of the second read pulse will raise the \overline{RDY} signal high and begin a conversion cycle following a rising edge on the SYNC pin.

13-bit mode: The MUX channel should be selected, the SYNC bit should be set and the START command issued with a single write to the ADC12048. A rising edge on the SYNC pin or on the RD pin will force the \overline{RDY} signal high. It is recommended that the action of reading from the ADC12048 (not the rising edge of the SYNC signal) be used to raise the \overline{RDY} signal. This will ensure that the conversion result is read during the acquisition period of the next conversion cycle, eliminating a read from the ADC12048 while it is performing a conversion. Noise generated by accessing the ADC12048 while it is converting may degrade the conversion result. In the SYNC-IN mode, only the rising edge of the SYNC signal will begin a conversion cycle. The \overline{RDY} signal will go low when the conversion cycle is done. The acquisition time is controlled by the SYNC signal. The acquisition period begins following a write cycle containing MUX channel information. The selected MUX channel is sampled after the rising edge of the \overline{WR} signal until the rising edge of the SYNC pulse, at which time the signal will be held and conversion begins. A new MUX channel and/or operational command may be written into the Configuration register at this time, if needed. With the START command in the Configuration register, a read from the ADC12048 will place the entire conversion result stored in the Data register on the data bus and the rising edge of the read pulse will force the \overline{RDY} signal high. The selected MUX channel will be sampled until a rising edge appears on the SYNC pin, at which the time sampled signal will be held and a conversion cycle started.

STANDBY COMMAND

8-bit mode: The first byte written to the ADC12048 should set the HB bit in the Configuration register (bit b_7). The second byte must issue the Standby command (bits b_{11} , b_{10} , $b_9 = 0, 0, 0$).

13-bit mode: The Standby command must be issued to the ADC12048 in single write (bits b_{11} , b_{10} , $b_9 = 0, 0, 0$).

RESET

The RESET command places the ADC12048 into a ready state and forces the \overline{RDY} signal low. The RESET command can be used to interrupt the ADC12048 while it is performing

a conversion, full-calibration or auto-zero cycle. It can also be used to get the ADC12048 out of the standby mode.

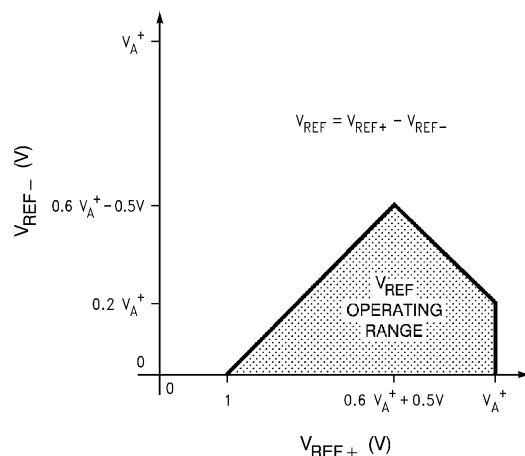
Analog Application Information

REFERENCE VOLTAGE

The ADC12048 has two reference inputs, V_{REF+} and V_{REF-} . They define the zero to full-scale range of the analog input signals over which 4095 positive and 4096 negative codes exist. The reference inputs can be connected to span the entire supply voltage range ($V_{REF-} = AGND$, $V_{REF+} = V_{A+}$) or they can be connected to different voltages when other input spans are required. The reference inputs of the ADC12048 have transient capacitive switching currents. The voltage sources driving V_{REF+} and V_{REF-} must have very low output impedance and noise and must be adequately bypassed. The circuit in Figure 20 is an example of a very stable reference source.

The ADC12048 can be used in either ratiometric or absolute reference applications. In ratiometric systems, the analog input voltage is proportional to the voltage used for the ADC's reference voltage. This technique relaxes the system reference requirements because the analog input voltage moves with the ADC's reference. The system power supply can be used as the reference voltage by connecting the V_{REF+} pin to V_{A+} and the V_{REF-} pin to AGND. For absolute accuracy, where the analog input voltage varies between very specific voltage limits, a time and temperature stable voltage source can be connected to the reference inputs. Typically, the reference voltage's magnitude will require an initial adjustment to null reference voltage induced full-scale errors.

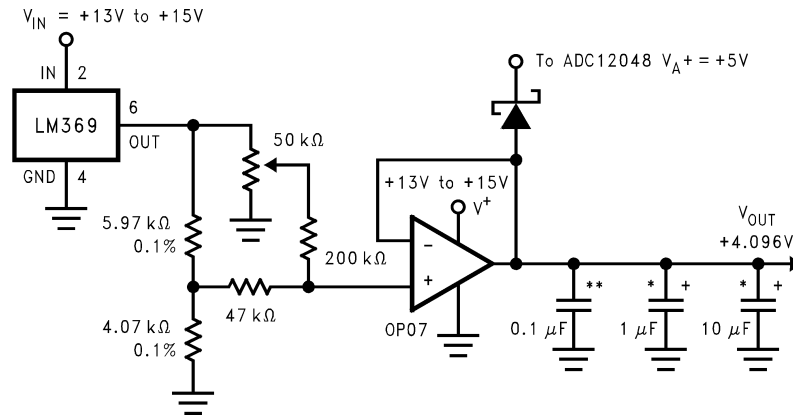
The reference voltage inputs are not fully differential. The ADC12048 will not generate correct conversions if $(V_{REF+}) - (V_{REF-})$ is below 1V. Figure 19 shows the allowable relationship between V_{REF+} and V_{REF-} .



01238737

FIGURE 19. V_{REF} Operating Range

Analog Application Information (Continued)



01238736

*Tantalum

**Ceramic

FIGURE 20. Low Drift Extremely Stable Reference Circuit

Part Number	Output Voltage Tolerance	Temperature Coefficient
LM4041CI-Adj	±0.5%	±100ppm/°C
LM4040AI-4.1	±0.1%	±100ppm/°C
LM4050	±0.2%	±50ppm/°C
LM4121	±0.1%	±50ppm/°C
LM9140BYZ-4.1	±0.5%	±25ppm/°C
Circuit of Figure 20	Adjustable	±2ppm/°C

OUTPUT DIGITAL CODE VERSUS ANALOG INPUT VOLTAGE

The ADC12048's fully differential 12-bit + sign ADC generates a two's complement output that is found by using the equation shown below:

$$\text{Output code} = \frac{(V_{IN}^{+} - V_{IN}^{-}) (4096)}{(V_{REF}^{+} - V_{REF}^{-})}$$

Round off the result to the nearest integer value between -4096 and 4095.

INPUT CURRENT

At the start of the acquisition window ($t_{ACQSYNOUT}$) a charging current (due to capacitive switching) flows through the analog input pins (CH0-CH7, ADCIN+ and ADCIN-, and the COM). The peak value of this input current will depend on the amplitude and frequency of the input voltage applied, the source impedance and the input switch ON resistance. With the MUXOUT+ connected to the ADCIN+ and the MUXOUT- connected to the ADCIN- the on resistance is typically 2800Ω. Bypassing the MUX and using just the ADCIN+ and ADCIN- inputs the on resistance is typically 2500Ω.

For low impedance voltage sources (<1000Ω for 12 MHz operation), the input charging current will decay to a value that will not introduce any conversion errors before the end of the default sample-and-hold (S/H) acquisition time (9 clock cycles). For higher source impedances (>1000Ω for 12 MHz operation), the S/H acquisition time should be in-

creased to allow the charging current to settle within specified limits. In asynchronous mode, the acquisition time may be increased to 15, 47 or 79 clock cycles. If different acquisition times are needed, the synchronous mode can be used to fully control the acquisition time.

INPUT BYPASS CAPACITANCE

External capacitors (0.01 μF-0.1 μF) can be connected between the analog input pins (CH0-CH7) and the analog ground to filter any noise caused by inductive pickup associated with long leads.

POWER SUPPLY CONSIDERATIONS

Decoupling and bypassing the power supply on a high resolution ADC is an important design task. Noise spikes on the V_{A+} (analog supply) or V_{D+} (digital supply) can cause conversion errors. The analog comparator used in the ADC will respond to power supply noise and will make erroneous conversion decisions. The ADC is especially sensitive to power supply spikes that occur during the auto-zero or linearity calibration cycles.

The ADC12048 is designed to operate from a single +5V power supply. The separate supply and ground pins for the analog and digital portions of the circuit allow separate external bypassing. To minimize power supply noise and ripple, adequate bypass capacitors should be placed directly between power supply pins and their associated grounds. Both supply pins should be connected to the same supply source. In systems with separate analog and digital supplies, the ADC should be powered from the analog supply. At least a

Analog Application Information

(Continued)

10 μF tantalum electrolytic capacitor in parallel with a 0.1 μF monolithic ceramic capacitor is recommended for bypassing each power supply. The key consideration for these capacitors is to have low series resistance and inductance. The capacitors should be placed as close as physically possible to the supply and ground pins with the smaller capacitor closer to the device. The capacitors also should have the shortest possible leads in order to minimize series lead inductance. Surface mount chip capacitors are optimal in this respect and should be used when possible.

When the power supply regulator is not local on the board, adequate bypassing (a high value electrolytic capacitor) should be placed at the power entry point. The value of the capacitor depends on the total supply current of the circuits on the PC board. All supply currents should be supplied by the capacitor instead of being drawn from the external supply lines, while the external supply charges the capacitor at a steady rate.

The ADC has two V_{D+} and DGND pins. It is recommended that each of these V_{D+} pins be separately bypassed to DGND with a 0.1 μF plus a 10 μF capacitor. The layout diagram of *Figure 21* shows the recommended placement for the supply bypass capacitors.

PC BOARD LAYOUT AND GROUNDING CONSIDERATIONS

To get the best possible performance from the ADC12048, the printed circuit boards should have separate analog and digital ground planes. The reason for using two ground planes is to prevent digital and analog ground currents from sharing the same path until they reach a very low impedance power supply point. This will prevent noisy digital switching currents from being injected into the analog ground.

Figure 21 illustrates a favorable layout for ground planes, power supply and reference input bypass capacitors. It

shows a layout using a 44-pin PLCC socket and through-hole assembly. A similar approach should be used for the PQFP package.

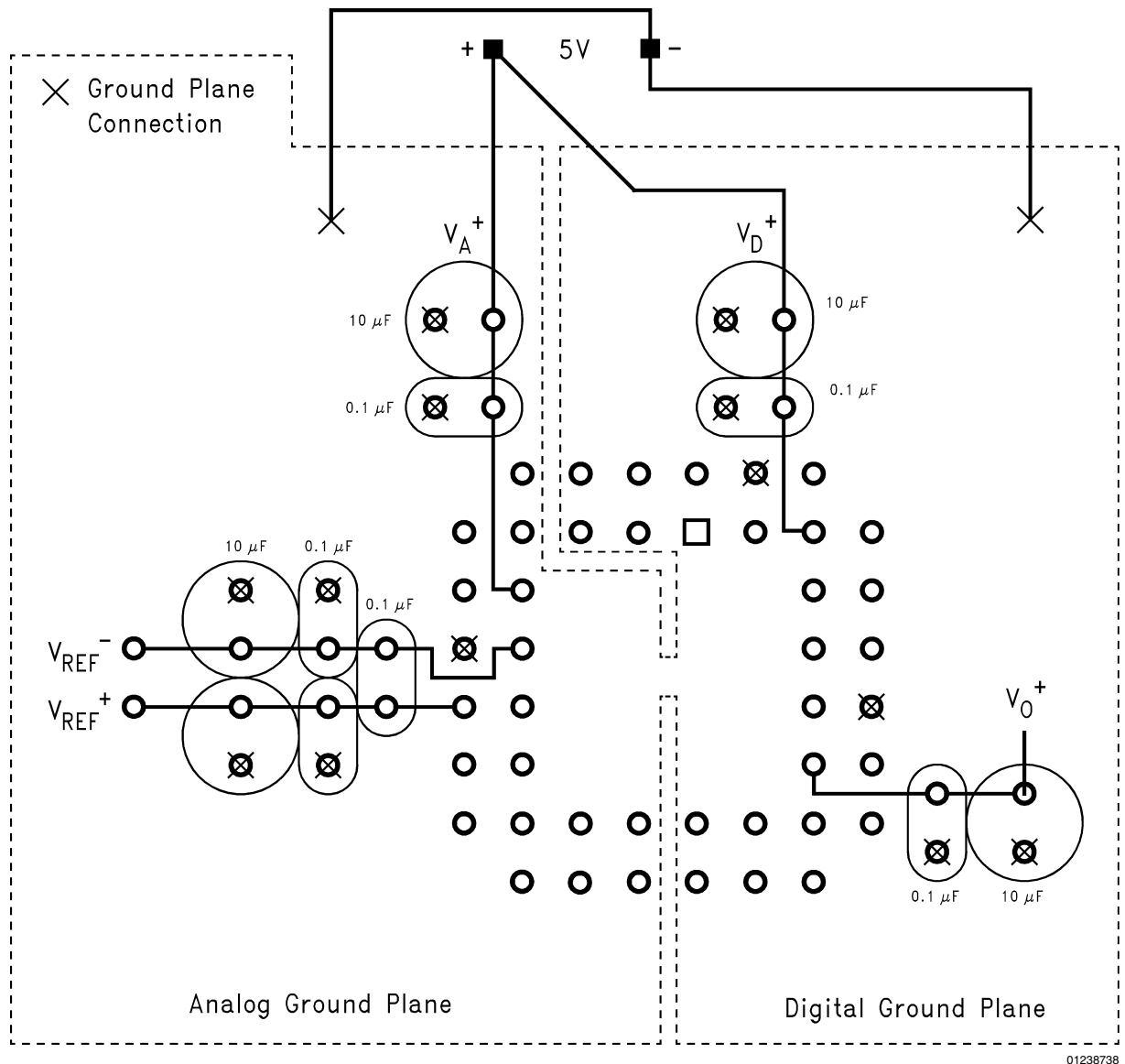
The analog ground plane should encompass the area under the analog pins and any other analog components such as the reference circuit, input amplifiers, signal conditioning circuits, and analog signal traces.

The digital ground plane should encompass the area under the digital circuits and the digital input/output pins of the ADC12048. Having a continuous digital ground plane under the data and clock traces is very important. This reduces the overshoot/undershoot and high frequency ringing on these lines that can be capacitively coupled to analog circuitry sections through stray capacitances.

The AGND and DGND in the ADC12048 are not internally connected together. They should be connected together on the PC board right at the chip. This will provide the shortest return path for the signals being exchanged between the internal analog and digital sections of the ADC.

It is also a good design practice to have power plane layers in the PC board. This will improve the supply bypassing (an effective distributed capacitance between power and ground plane layers) and voltage drops on the supply lines. However, power planes are not as essential as ground planes are for satisfactory performance. If power planes are used, they should be separated into two planes and the area and connections should follow the same guidelines as mentioned for the ground planes. Each power plane should be laid out over its associated ground planes, avoiding any overlap between power and ground planes of different types. When the power planes are not used, it is recommended to use separate supply traces for the V_{A+} and V_{D+} pins from a low impedance supply point (the regulator output or the power entry point to the PC board). This will help ensure that the noisy digital supply does not corrupt the analog supply.

Analog Application Information (Continued)



01238738

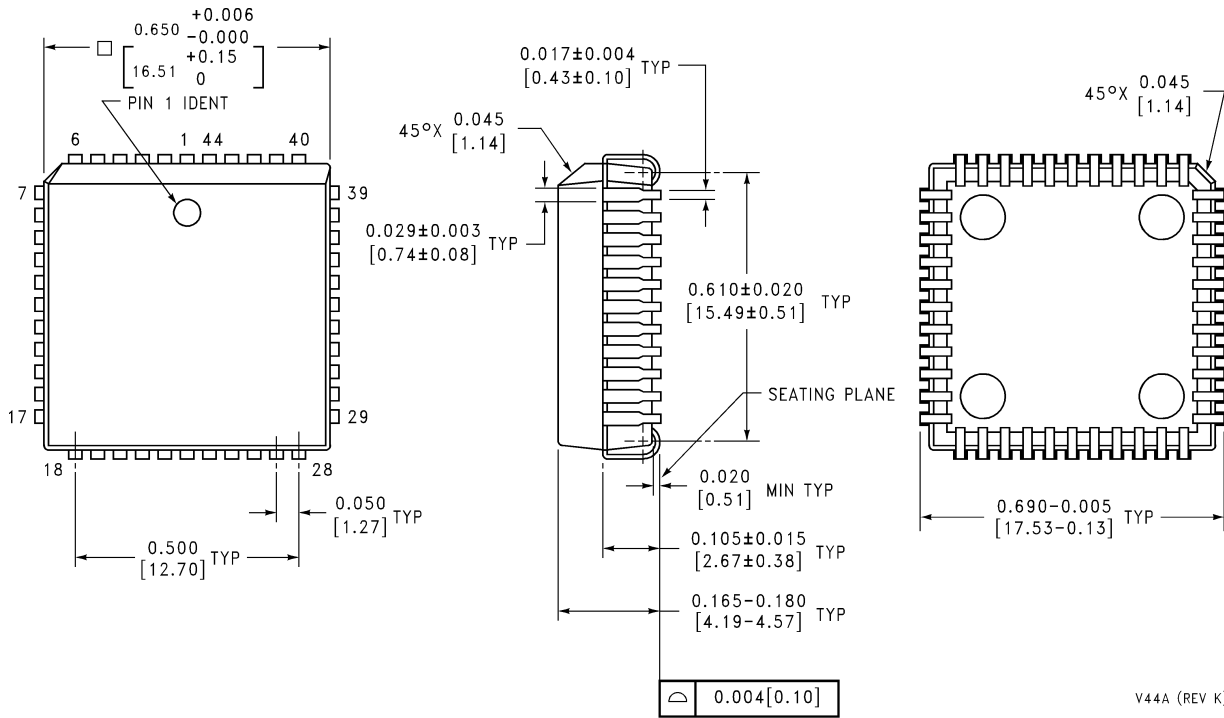
FIGURE 21. Top View of Printed Circuit Board for a 44-Pin PLCC ADC12048

When measuring AC input signals, any crosstalk between analog input/output lines and the reference lines (CHO-CH7 , $\text{MUXOUT}\pm$, $\text{ADC IN}\pm$, $V_{REF\pm}$) should be minimized. Crosstalk is minimized by reducing any stray capacitance between the lines. This can be done by increasing the clearance between traces, keeping the traces as short as possible, shielding traces from each other by placing them on different sides of the AGND plane, or running AGND traces between them.

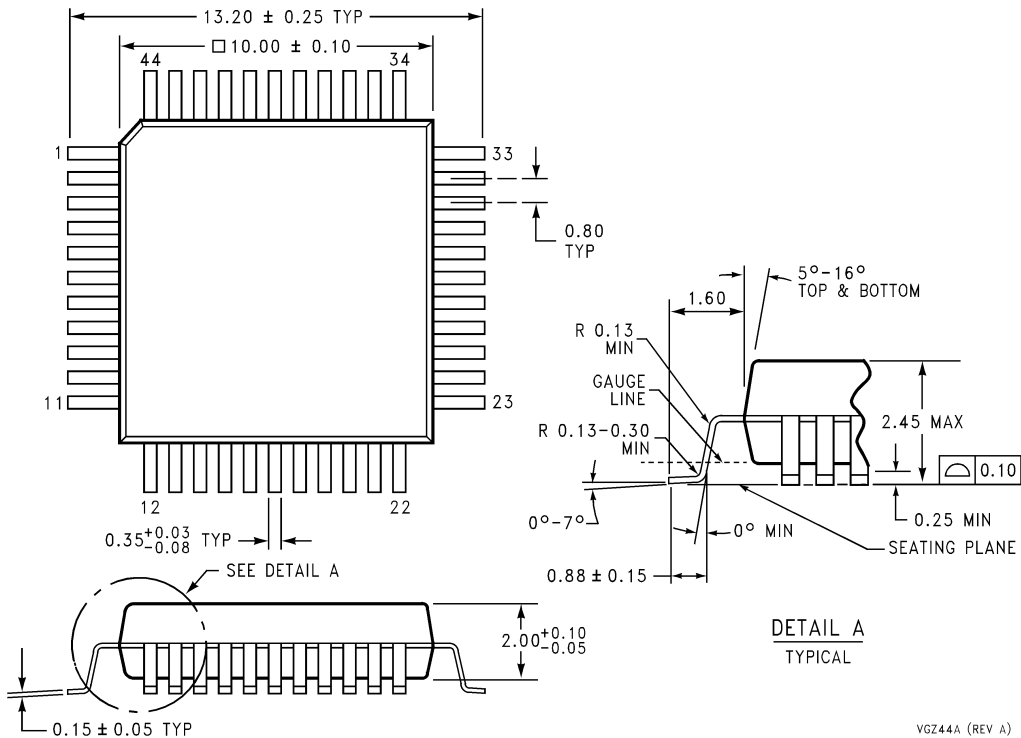
Figure 21 also shows the reference input bypass capacitors. Here the reference inputs are considered to be differential.

The performance improves by having a 0.1 μF capacitor between the V_{REF+} and V_{REF-} , and by bypassing in a manner similar to that described for the supply pins. When a single ended reference is used, V_{REF-} is connected to AGND and only two capacitors are used between V_{REF+} and V_{REF-} (0.1 μF + 10 μF). It is recommended to directly connect the AGND side of these capacitors to the V_{REF-} instead of connecting V_{REF-} and the ground sides of the capacitors separately to the ground planes. This provides a significantly lower-impedance connection when using surface mount technology.

Physical Dimensions inches (millimeters) unless otherwise noted



44-Lead Molded Plastic Leaded Chip Carrier
Order Number ADC12048CIV
NS Package Number V44A



44-Lead (10mm x 10mm) Molded Plastic Quad Flat Package
Order Number ADC12048CIVF
NS Package Number VGZ44A

Notes

LIFE SUPPORT POLICY

NATIONAL'S PRODUCTS ARE NOT AUTHORIZED FOR USE AS CRITICAL COMPONENTS IN LIFE SUPPORT DEVICES OR SYSTEMS WITHOUT THE EXPRESS WRITTEN APPROVAL OF THE PRESIDENT AND GENERAL COUNSEL OF NATIONAL SEMICONDUCTOR CORPORATION. As used herein:

1. Life support devices or systems are devices or systems which, (a) are intended for surgical implant into the body, or (b) support or sustain life, and whose failure to perform when properly used in accordance with instructions for use provided in the labeling, can be reasonably expected to result in a significant injury to the user.
2. A critical component is any component of a life support device or system whose failure to perform can be reasonably expected to cause the failure of the life support device or system, or to affect its safety or effectiveness.



National Semiconductor Corporation
Americas
Email: support@nsc.com

www.national.com

National Semiconductor Europe

Fax: +49 (0) 180-530 85 86
Email: europe.support@nsc.com
Deutsch Tel: +49 (0) 69 9508 6208
English Tel: +44 (0) 870 24 0 2171
Français Tel: +33 (0) 1 41 91 8790

National Semiconductor Asia Pacific Customer Response Group

Tel: 65-2544466
Fax: 65-2504466
Email: ap.support@nsc.com

National Semiconductor Japan Ltd.

Tel: 81-3-5639-7560
Fax: 81-3-5639-7507

National Semiconductor was acquired by Texas Instruments.

http://www.ti.com/corp/docs/investor_relations/pr_09_23_2011_national_semiconductor.html

This file is the datasheet for the following electronic components:

ADC12048CIV - <http://www.ti.com/product/adc12048civ?HQS=TI-null-null-dscatalog-df-pf-null-wwe>

ADC12048CIVF - <http://www.ti.com/product/adc12048civf?HQS=TI-null-null-dscatalog-df-pf-null-wwe>

ADC12048EVAL - <http://www.ti.com/product/adc12048eval?HQS=TI-null-null-dscatalog-df-pf-null-wwe>



LittleDiode supplies new, hard to find or obsolete electronic components and semiconductors all over the world.

With over two million different components listed you are sure to find the part you need.

Feel free to visit us today at our online store:

LittleDiode.com

Looking forward to providing you with the best possible service.