

**ADG451/ADG452/ADG453**
**FEATURES**

**Low On Resistance (4 Ω)**  
**On Resistance Flatness 0.2 Ω**  
**44 V Supply Maximum Ratings**  
**±15 V Analog Signal Range**  
**Fully Specified @ ±5 V, +12 V, ±15 V**  
**Ultralow Power Dissipation (18 μW)**  
**ESD 2 kV**  
**Continuous Current 100 mA**  
**Fast Switching Times**  
 $t_{ON}$  70 ns  
 $t_{OFF}$  60 ns  
**TTL/CMOS Compatible**  
**Pin Compatible Upgrade for ADG411/ADG412/ADG413**  
**and ADG431/ADG432/ADG433**

**APPLICATIONS**

**Relay Replacement**  
**Audio and Video Switching**  
**Automatic Test Equipment**  
**Precision Data Acquisition**  
**Battery Powered Systems**  
**Sample Hold Systems**  
**Communication Systems**  
**PBX, PABX Systems**  
**Avionics**

**GENERAL DESCRIPTION**

The ADG451, ADG452 and ADG453 are monolithic CMOS devices comprising four independently selectable switches. They are designed on an enhanced LC<sup>2</sup>MOS process that provides low power dissipation yet gives high switching speed and low on resistance.

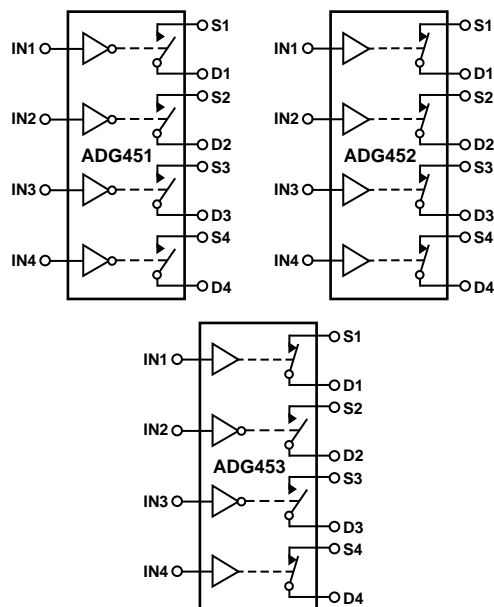
The on resistance profile is very flat over the full analog input range ensuring excellent linearity and low distortion when switching audio signals. Fast switching speed coupled with high signal bandwidth also make the parts suitable for video signal switching. CMOS construction ensures ultralow power dissipation making the parts ideally suited for portable and battery powered instruments.

The ADG451, ADG452 and ADG453 contain four independent single-pole/single-throw (SPST) switches. The ADG451 and ADG452 differ only in that the digital control logic is inverted. The ADG451 switches are turned on with a logic low on the appropriate control input, while a logic high is required for the ADG452. The ADG453 has two switches with digital control logic similar to that of the ADG451 while the logic is inverted on the other two switches.

Each switch conducts equally well in both directions when ON and has an input signal range which extends to the supplies. In the OFF condition, signal levels up to the supplies are blocked.

**REV. A**

Information furnished by Analog Devices is believed to be accurate and reliable. However, no responsibility is assumed by Analog Devices for its use, nor for any infringements of patents or other rights of third parties which may result from its use. No license is granted by implication or otherwise under any patent or patent rights of Analog Devices.

**FUNCTIONAL BLOCK DIAGRAMS**

**SWITCHES SHOWN FOR A LOGIC "1" INPUT**

The ADG453 exhibits break-before-make switching action for use in multiplexer applications. Inherent in the design is low charge injection for minimum transients when switching the digital inputs.

**PRODUCT HIGHLIGHTS**

1. Low R<sub>ON</sub> (5 Ω max)
2. Ultralow Power Dissipation
3. Extended Signal Range  
The ADG451, ADG452 and ADG453 are fabricated on an enhanced LC<sup>2</sup>MOS process giving an increased signal range that fully extends to the supply rails.
4. Break-Before-Make Switching  
This prevents channel shorting when the switches are configured as a multiplexer. (ADG453 only.)
5. Single Supply Operation  
For applications where the analog signal is unipolar, the ADG451, ADG452 and ADG453 can be operated from a single rail power supply. The parts are fully specified with a single +12 V power supply and will remain functional with single supplies as low as +5.0 V.
6. Dual Supply Operation  
For applications where the analog signal is bipolar, the ADG451, ADG452 and ADG453 can be operated from a dual power supply ranging from ±4.5 V to ±20 V.

# ADG451/ADG452/ADG453–SPECIFICATIONS<sup>1</sup>

Dual Supply ( $V_{DD} = +15\text{ V}$ ,  $V_{SS} = -15\text{ V}$ ,  $V_L = +5\text{ V}$ ,  $GND = 0\text{ V}$ . All specifications  $T_{MIN}$  to  $T_{MAX}$  unless otherwise noted.)

Parameter	B Version		Units	Test Conditions/Comments
	+25°C	$T_{MIN}$ to $T_{MAX}$		
<b>ANALOG SWITCH</b>				
Analogue Signal Range		$V_{SS}$ to $V_{DD}$	V	
On-Resistance ( $R_{ON}$ )	4.0		$\Omega$ typ	$V_D = -10\text{ V}$ to $+10\text{ V}$ , $I_S = -10\text{ mA}$
	5	7	$\Omega$ max	
On-Resistance Match Between Channels ( $\Delta R_{ON}$ )	0.1		$\Omega$ typ	$V_D = \pm 10\text{ V}$ , $I_S = -10\text{ mA}$
	0.5	0.5	$\Omega$ max	
On-Resistance Flatness ( $R_{FLAT(ON)}$ )	0.2		$\Omega$ typ	$V_D = -5\text{ V}, 0\text{ V}, +5\text{ V}$ , $I_S = -10\text{ mA}$
	0.5	0.5	$\Omega$ max	
<b>LEAKAGE CURRENTS<sup>2</sup></b>				
Source OFF Leakage $I_S$ (OFF)	$\pm 0.02$		nA typ	$V_D = \pm 10\text{ V}$ , $V_S = \pm 10\text{ V}$ ; Test Circuit 2
	$\pm 0.5$	$\pm 2.5$	nA max	
Drain OFF Leakage $I_D$ (OFF)	$\pm 0.02$		nA typ	$V_D = \pm 10\text{ V}$ , $V_S = \pm 10\text{ V}$ ; Test Circuit 2
	$\pm 0.5$	$\pm 2.5$	nA max	
Channel ON Leakage $I_D$ , $I_S$ (ON)	$\pm 0.04$		nA typ	$V_D = V_S = \pm 10\text{ V}$ ; Test Circuit 3
	$\pm 1$	$\pm 5$	nA max	
<b>DIGITAL INPUTS</b>				
Input High Voltage, $V_{INH}$		2.4	V min	
Input Low Voltage, $V_{INL}$		0.8	V max	
Input Current $I_{INL}$ or $I_{INH}$	0.005		$\mu\text{A}$ typ	$V_{IN} = V_{INL}$ or $V_{INH}$ , All Others = 2.4 V or 0.8 V Respectively
		$\pm 0.5$	$\mu\text{A}$ max	
<b>DYNAMIC CHARACTERISTICS<sup>3</sup></b>				
$t_{ON}$	70		ns typ	$R_L = 300\ \Omega$ , $C_L = 35\text{ pF}$ ; $V_S = \pm 10\text{ V}$ ; Test Circuit 4
	180	220	ns max	
$t_{OFF}$	60		ns typ	$R_L = 300\ \Omega$ , $C_L = 35\text{ pF}$ ; $V_S = \pm 10\text{ V}$ ; Test Circuit 4
	140	180	ns max	
Break-Before-Make Time Delay, $t_D$ (ADG453 Only)	15		ns typ	$R_L = 300\ \Omega$ , $C_L = 35\text{ pF}$ ; $V_{S1} = V_{S2} = +10\text{ V}$ ; Test Circuit 5
	5	5	ns min	
Charge Injection	20		pC typ	$V_S = 0\text{ V}$ , $R_S = 0\ \Omega$ , $C_L = 1.0\text{ nF}$ ; Test Circuit 6
	30		pC max	
OFF Isolation	65		dB typ	$R_L = 50\ \Omega$ , $C_L = 5\text{ pF}$ , $f = 1\text{ MHz}$ ; Test Circuit 7
Channel-to-Channel Crosstalk	-90		dB typ	$R_L = 50\ \Omega$ , $C_L = 5\text{ pF}$ , $f = 1\text{ MHz}$ ; Test Circuit 8
$C_S$ (OFF)	15		pF typ	$f = 1\text{ MHz}$
$C_D$ (OFF)	15		pF typ	$f = 1\text{ MHz}$
$C_D$ , $C_S$ (ON)	100		pF typ	$f = 1\text{ MHz}$
<b>POWER REQUIREMENTS</b>				
$I_{DD}$	0.0001		$\mu\text{A}$ typ	$V_{DD} = +16.5\text{ V}$ , $V_{SS} = -16.5\text{ V}$ Digital Inputs = 0 V or 5 V
	0.5	5	$\mu\text{A}$ max	
$I_{SS}$	0.0001		$\mu\text{A}$ typ	
	0.5	5	$\mu\text{A}$ max	
$I_L$	0.0001		$\mu\text{A}$ typ	
	0.5	5	$\mu\text{A}$ max	
$I_{GND}$ <sup>3</sup>	0.0001		$\mu\text{A}$ typ	
	0.5	5	$\mu\text{A}$ max	

## NOTES

<sup>1</sup>Temperature range is as follows: B Version:  $-40^\circ\text{C}$  to  $+85^\circ\text{C}$ .

<sup>2</sup> $T_{MAX} = +70^\circ\text{C}$ .

<sup>3</sup>Guaranteed by design, not subject to production test.

Specifications subject to change without notice.

**Single Supply** ( $V_{DD} = +12\text{ V}$ ,  $V_{SS} = 0\text{ V}$ ,  $V_L = +5\text{ V}$ ,  $GND = 0\text{ V}$ . All specifications  $T_{MIN}$  to  $T_{MAX}$  unless otherwise noted.)

Parameter	B Version		Units	Test Conditions/Comments
	+25°C	$T_{MIN}$ to $T_{MAX}$		
<b>ANALOG SWITCH</b>				
Analog Signal Range		0 V to $V_{DD}$	V	
On-Resistance ( $R_{ON}$ )	6		$\Omega$ typ	$V_D = 0\text{ V}$ to 10 V, $I_S = -10\text{ mA}$
	8	10	$\Omega$ max	
On-Resistance Match Between Channels ( $\Delta R_{ON}$ )	0.1		$\Omega$ typ	$V_D = 10\text{ V}$ , $I_S = -10\text{ mA}$
	0.5	0.5	$\Omega$ max	
On-Resistance Flatness ( $R_{FLAT(ON)}$ )	1.0	1.0	$\Omega$ typ	$V_D = 0\text{ V}$ , +5 V, $I_S = -10\text{ mA}$
<b>LEAKAGE CURRENTS<sup>2, 3</sup></b>				
Source OFF Leakage $I_S$ (OFF)	$\pm 0.02$		nA typ	$V_D = 0\text{ V}$ , 10 V, $V_S = 0\text{ V}$ , 10 V; Test Circuit 2
	$\pm 0.5$	$\pm 2.5$	nA max	
Drain OFF Leakage $I_D$ (OFF)	$\pm 0.02$		nA typ	$V_D = 0\text{ V}$ , 10 V, $V_S = 0\text{ V}$ , 10 V; Test Circuit 2
	$\pm 0.5$	$\pm 2.5$	nA max	
Channel ON Leakage $I_D$ , $I_S$ (ON)	$\pm 0.04$		nA typ	$V_D = V_S = 0\text{ V}$ , 10 V; Test Circuit 3
	$\pm 1$	$\pm 5$	nA max	
<b>DIGITAL INPUTS</b>				
Input High Voltage, $V_{INH}$		2.4	V min	
Input Low Voltage, $V_{INL}$		0.8	V max	
Input Current $I_{INL}$ or $I_{INH}$	0.005		$\mu\text{A}$ typ	$V_{IN} = V_{INL}$ or $V_{INH}$
		$\pm 0.5$	$\mu\text{A}$ max	
<b>DYNAMIC CHARACTERISTICS<sup>4</sup></b>				
$t_{ON}$	100		ns typ	$R_L = 300\ \Omega$ , $C_L = 35\text{ pF}$ ; $V_S = +8\text{ V}$ ; Test Circuit 4
	220	260	ns max	
$t_{OFF}$	80		ns typ	$R_L = 300\ \Omega$ , $C_L = 35\text{ pF}$ ; $V_S = +8\text{ V}$ ; Test Circuit 4
	160	200	ns max	
Break-Before-Make Time Delay, $t_D$ (ADG453 Only)	15		ns typ	$R_L = 300\ \Omega$ , $C_L = 35\text{ pF}$ ; $V_{S1} = V_{S2} = +8\text{ V}$ ; Test Circuit 5
	10	10	ns min	
Charge Injection	10		pC typ	$V_S = 0\text{ V}$ , $R_S = 0\ \Omega$ , $C_L = 1.0\text{ nF}$ ; Test Circuit 6
Channel-to-Channel Crosstalk	-90		dB typ	$R_L = 50\ \Omega$ , $C_L = 5\text{ pF}$ , $f = 1\text{ MHz}$ ; Test Circuit 8
$C_S$ (OFF)	15		pF typ	$f = 1\text{ MHz}$
$C_D$ (OFF)	15		pF typ	$f = 1\text{ MHz}$
$C_D$ , $C_S$ (ON)	100		pF typ	$f = 1\text{ MHz}$
<b>POWER REQUIREMENTS</b>				
$I_{DD}$	0.0001		$\mu\text{A}$ typ	$V_{DD} = +13.2\text{ V}$ Digital Inputs = 0 V or 5 V
	0.5	5	$\mu\text{A}$ max	
$I_L$	0.0001		$\mu\text{A}$ typ	
	0.5	5	$\mu\text{A}$ max	$V_L = +5.5\text{ V}$
$I_{GND}$ <sup>4</sup>	0.0001		$\mu\text{A}$ typ	
	0.5	5	$\mu\text{A}$ max	$V_L = +5.5\text{ V}$

## NOTES

<sup>1</sup>Temperature range is as follows: B Version:  $-40^\circ\text{C}$  to  $+85^\circ\text{C}$ .<sup>2</sup> $T_{MAX} = +70^\circ\text{C}$ .<sup>3</sup>Tested with dual supplies.<sup>4</sup>Guaranteed by design, not subject to production test.

Specifications subject to change without notice.

# ADG451/ADG452/ADG453—SPECIFICATIONS<sup>1</sup>

Dual Supply ( $V_{DD} = +5\text{ V}$ ,  $V_{SS} = -5\text{ V}$ ,  $V_L = +5\text{ V}$ ,  $GND = 0\text{ V}$ . All specifications  $T_{MIN}$  to  $T_{MAX}$  unless otherwise noted.)

Parameter	B Version		Units	Test Conditions/Comments
	+25°C	$T_{MIN}$ to $T_{MAX}$		
<b>ANALOG SWITCH</b>				
Analog Signal Range		$V_{SS}$ to $V_{DD}$	V	$V_D = -3.5\text{ V}$ to $+3.5\text{ V}$ , $I_S = -10\text{ mA}$
On-Resistance ( $R_{ON}$ )	7	15	$\Omega$ typ $\Omega$ max	
On-Resistance Match Between Channels ( $\Delta R_{ON}$ )	0.3	0.5	$\Omega$ typ $\Omega$ max	$V_D = 3.5\text{ V}$ , $I_S = -10\text{ mA}$
<b>LEAKAGE CURRENTS<sup>2, 3</sup></b>				
Source OFF Leakage $I_S$ (OFF)	$\pm 0.02$		nA typ	$V_D = \pm 4.5$ , $V_S = \pm 4.5$ ; Test Circuit 2
	$\pm 0.5$	$\pm 2.5$	nA max	
Drain OFF Leakage $I_D$ (OFF)	$\pm 0.02$		nA typ	$V_D = 0\text{ V}$ , $5\text{ V}$ , $V_S = 0\text{ V}$ , $5\text{ V}$ ; Test Circuit 2
	$\pm 0.5$	$\pm 2.5$	nA max	
Channel ON Leakage $I_D$ , $I_S$ (ON)	$\pm 0.04$		nA typ	$V_D = V_S = 0\text{ V}$ , $5\text{ V}$ ; Test Circuit 3
	$\pm 1$	$\pm 5$	nA max	
<b>DIGITAL INPUTS</b>				
Input High Voltage, $V_{INH}$		2.4	V min	$V_{IN} = V_{INL}$ or $V_{INH}$
Input Low Voltage, $V_{INL}$		0.8	V max	
Input Current $I_{INL}$ or $I_{INH}$	0.005		$\mu\text{A}$ typ	
		$\pm 0.5$	$\mu\text{A}$ max	
<b>DYNAMIC CHARACTERISTICS<sup>4</sup></b>				
$t_{ON}$	160		ns typ	$R_L = 300\ \Omega$ , $C_L = 35\text{ pF}$ ; $V_S = 3\text{ V}$ ; Test Circuit 4
	220	300	ns max	
$t_{OFF}$	60		ns typ	$R_L = 300\ \Omega$ , $C_L = 35\text{ pF}$ ; $V_S = 3\text{ V}$ ; Test Circuit 4
	140	180	ns max	
Break-Before-Make Time Delay, $t_D$ (ADG453 Only)	50		ns typ	$R_L = 300\ \Omega$ , $C_L = 35\text{ pF}$ ; $V_{S1} = V_{S2} = 3\text{ V}$ ; Test Circuit 5
	5	5	ns min	
Charge Injection	10		pC typ	$V_S = 0\text{ V}$ , $R_S = 0\ \Omega$ , $C_L = 1.0\text{ nF}$ ; Test Circuit 6
OFF Isolation	65		dB typ	$R_L = 50\ \Omega$ , $C_L = 5\text{ pF}$ , $f = 1\text{ MHz}$ ; Test Circuit 7
Channel-to-Channel Crosstalk	-76		dB typ	$R_L = 50\ \Omega$ , $C_L = 5\text{ pF}$ , $f = 1\text{ MHz}$ ; Test Circuit 8
$C_S$ (OFF)	15		pF typ	$f = 1\text{ MHz}$
$C_D$ (OFF)	15		pF typ	$f = 1\text{ MHz}$
$C_D$ , $C_S$ (ON)	100		pF typ	$f = 1\text{ MHz}$
<b>POWER REQUIREMENTS</b>				
$I_{DD}$	0.0001		$\mu\text{A}$ typ	$V_{DD} = +5.5\text{ V}$ Digital Inputs = $0\text{ V}$ or $5\text{ V}$
	0.5	5	$\mu\text{A}$ max	
$I_{SS}$	0.0001		$\mu\text{A}$ typ	$V_L = +5.5\text{ V}$
	0.5	5	$\mu\text{A}$ max	
$I_L$	0.0001		$\mu\text{A}$ typ	$V_L = +5.5\text{ V}$
	0.5	5	$\mu\text{A}$ max	
$I_{GND}$ <sup>4</sup>	0.0001		$\mu\text{A}$ typ	$V_L = +5.5\text{ V}$
	0.5	5	$\mu\text{A}$ max	

## NOTES

<sup>1</sup>Temperature range is as follows: B Version:  $-40^\circ\text{C}$  to  $+85^\circ\text{C}$ .

<sup>2</sup> $T_{MAX} = +70^\circ\text{C}$ .

<sup>3</sup>Tested with dual supplies.

<sup>4</sup>Guaranteed by design, not subject to production test.

Specifications subject to change without notice.

# ADG451/ADG452/ADG453

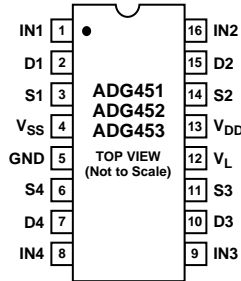
**Truth Table (ADG451/ADG452)**

ADG451 In	ADG452 In	Switch Condition
0	1	ON
1	0	OFF

**Truth Table (ADG453)**

Logic	Switch 1, 4	Switch 2, 3
0	OFF	ON
1	ON	OFF

**PIN CONFIGURATION  
(DIP/SOIC)**



**ORDERING GUIDE**

Model	Temperature Range	Package Options*
ADG451BN	-40°C to +85°C	N-16
ADG451BR	-40°C to +85°C	R-16A
ADG452BN	-40°C to +85°C	N-16
ADG452BR	-40°C to +85°C	R-16A
ADG453BN	-40°C to +85°C	N-16
ADG453BR	-40°C to +85°C	R-16A

\*N = Plastic DIP; R = Small Outline IC (SOIC).

**ABSOLUTE MAXIMUM RATINGS<sup>1</sup>**

(T<sub>A</sub> = +25°C unless otherwise noted)

V <sub>DD</sub> to V <sub>SS</sub>	+44 V
V <sub>DD</sub> to GND	-0.3 V to +25 V
V <sub>SS</sub> to GND	+0.3 V to -25 V
V <sub>L</sub> to GND	-0.3 V to V <sub>DD</sub> + 0.3 V
Analog, Digital Inputs <sup>2</sup>	V <sub>SS</sub> -2 V to V <sub>DD</sub> +2 V or 30 mA, Whichever Occurs First
Continuous Current, S or D	100 mA
Peak Current, S or D	300 mA
(Pulsed at 1 ms, 10% Duty Cycle max)	
Operating Temperature Range	
Industrial (B Version)	-40°C to +85°C
Storage Temperature Range	-65°C to +150°C
Junction Temperature	+150°C
Plastic Package, Power Dissipation	470 mW
θ <sub>JA</sub> Thermal Impedance	117°C/W
Lead Temperature, Soldering (10 sec)	+260°C

SOIC Package, Power Dissipation	600 mW
θ <sub>JA</sub> Thermal Impedance	77°C/W
Lead Temperature, Soldering	
Vapor Phase (60 sec)	+215°C
Infrared (15 sec)	+220°C
ESD	2 kV

**NOTES**

<sup>1</sup>Stresses above those listed under Absolute Maximum Ratings may cause permanent damage to the device. This is a stress rating only; functional operation of the device at these or any other conditions above those listed in the operational sections of this specification is not implied. Exposure to absolute maximum rating conditions for extended periods may affect device reliability. Only one absolute maximum rating may be applied at any one time.

<sup>2</sup>Overvoltages at IN, S or D will be clamped by internal diodes. Current should be limited to the maximum ratings given.

**CAUTION**

ESD (electrostatic discharge) sensitive device. Electrostatic charges as high as 4000 V readily accumulate on the human body and test equipment and can discharge without detection. Although the ADG451/ADG452/ADG453 feature proprietary ESD protection circuitry, permanent damage may occur on devices subjected to high energy electrostatic discharges. Therefore, proper ESD precautions are recommended to avoid performance degradation or loss of functionality.



## TERMINOLOGY

$V_{DD}$	Most positive power supply potential.	$V_D (V_S)$	Analog voltage on terminals D, S.
$V_{SS}$	Most negative power supply potential in dual supplies. In single supply applications, it may be connected to GND.	$C_S (OFF)$	“OFF” switch source capacitance.
$V_L$	Logic power supply (+5 V).	$C_D (OFF)$	“OFF” switch drain capacitance.
GND	Ground (0 V) reference.	$C_D, C_S (ON)$	“ON” switch capacitance.
S	Source terminal. May be an input or output.	$t_{ON}$	Delay between applying the digital control input and the output switching on. See Test Circuit 4.
D	Drain terminal. May be an input or output.	$t_{OFF}$	Delay between applying the digital control input and the output switching off.
IN	Logic control input.	$t_D$	“OFF” time or “ON” time measured between the 90% points of both switches, when switching from one address state to another. See Test Circuit 5.
$R_{ON}$	Ohmic resistance between D and S.	Crosstalk	A measure of unwanted signal coupled through from one channel to another as a result of parasitic capacitance.
$\Delta R_{ON}$	On resistance match between any two channels i.e., $R_{ONmax} - R_{ONmin}$ .	Off Isolation	A measure of unwanted signal coupling through an “OFF” switch.
$R_{FLAT(ON)}$	Flatness is defined as the difference between the maximum and minimum value of on-resistance as measured over the specified analog signal range.	Charge Injection	A measure of the glitch impulse transferred from the digital input to the analog output during switching.
$I_S (OFF)$	Source leakage current with the switch “OFF.”		
$I_D (OFF)$	Drain leakage current with the switch “OFF.”		
$I_D, I_S (ON)$	Channel leakage current with the switch “ON.”		

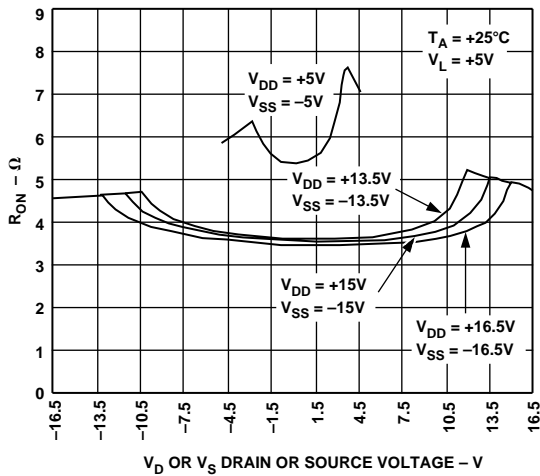


Figure 1. On Resistance as a Function of  $V_D (V_S)$  for Various Dual Supplies

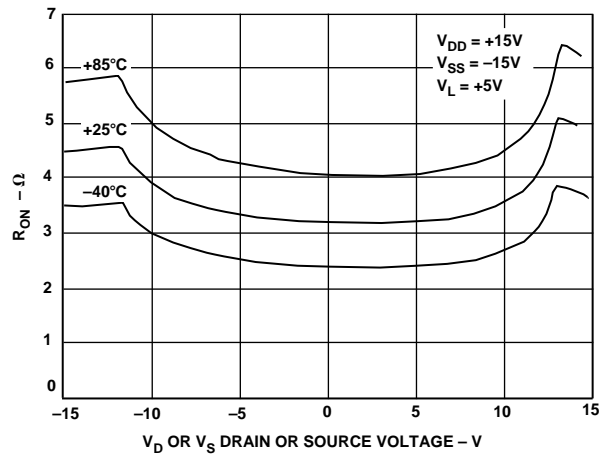


Figure 2. On Resistance as a Function of  $V_D (V_S)$  for Different Temperatures with Dual Supplies

# Typical Performance Characteristics—ADG451/ADG452/ADG453

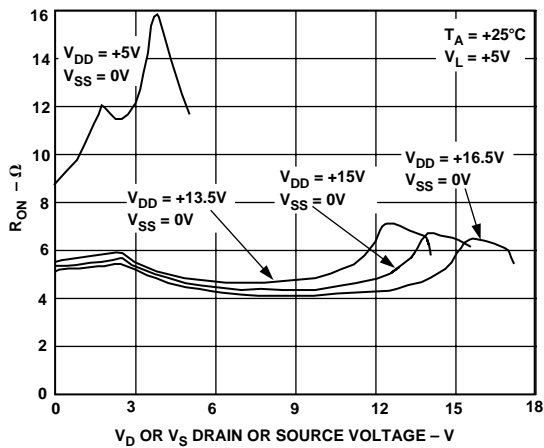


Figure 3. On Resistance as a Function of  $V_D$  ( $V_S$ ) for Various Single Supplies

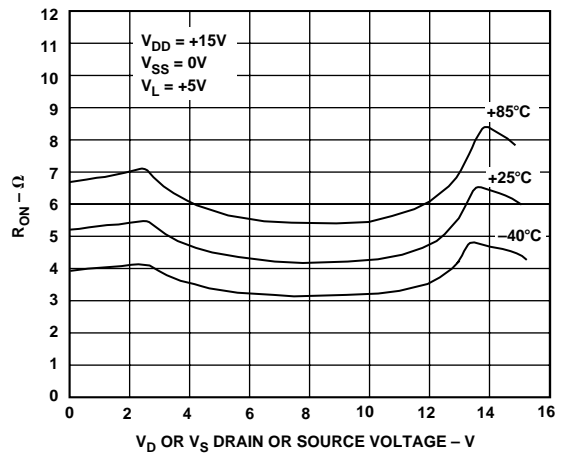


Figure 6. On Resistance as a Function of  $V_D$  ( $V_S$ ) for Different Temperatures with Single Supplies

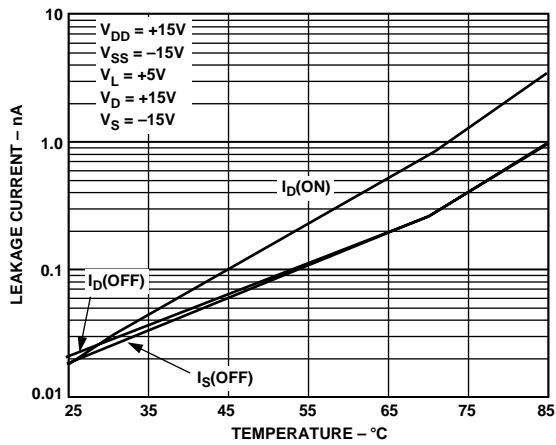


Figure 4. Leakage Currents as a Function of Temperature

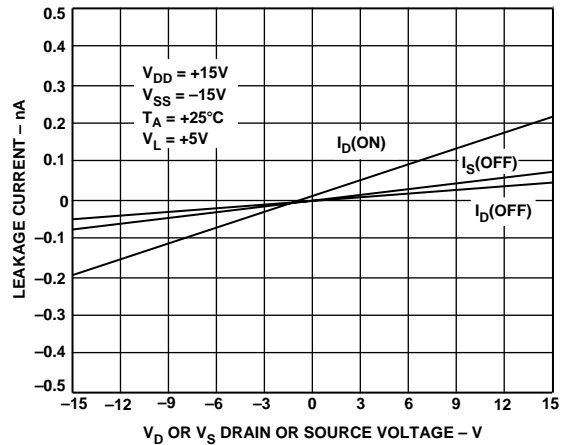


Figure 7. Leakage Currents as a Function of  $V_D$  ( $V_S$ )

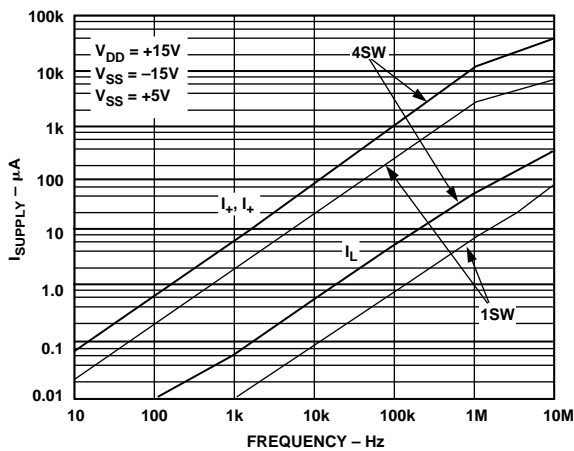


Figure 5. Supply Current vs. Input Switching Frequency

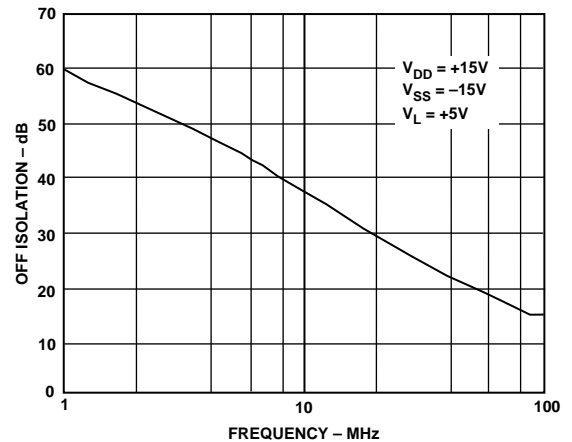


Figure 8. Off Isolation vs. Frequency

# ADG451/ADG452/ADG453

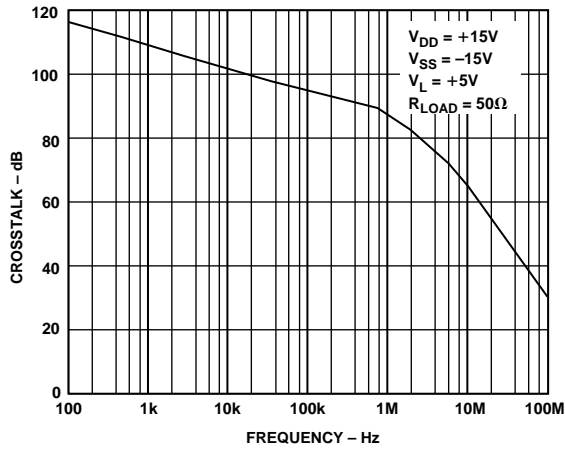


Figure 9. Crosstalk vs. Frequency

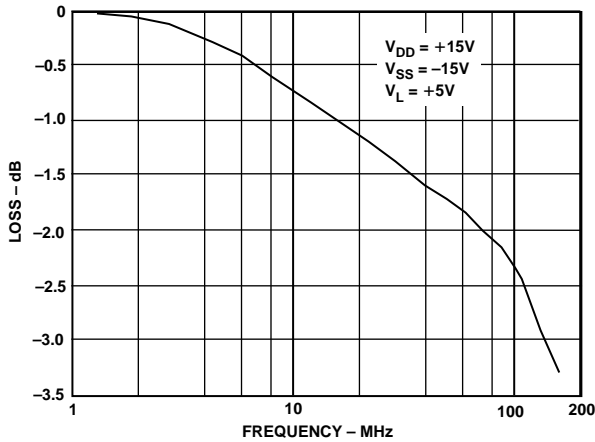


Figure 10. Frequency Response with Switch On

## APPLICATION

Figure 11 illustrates a precise, fast, sample-and-hold circuit. An AD845 is used as the input buffer while the output operational amplifier is an AD711. During the track mode, SW1 is closed and the output  $V_{OUT}$  follows the input signal  $V_{IN}$ . In the hold mode, SW1 is opened and the signal is held by the hold capacitor  $C_H$ .

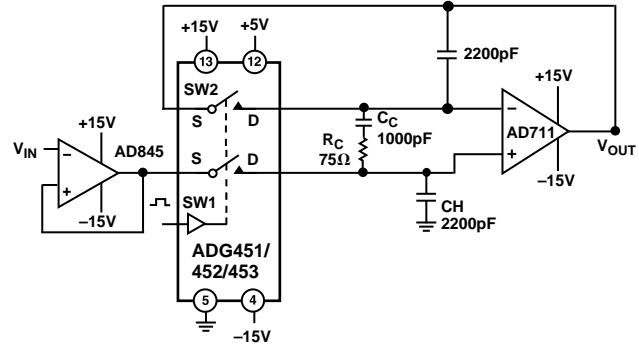
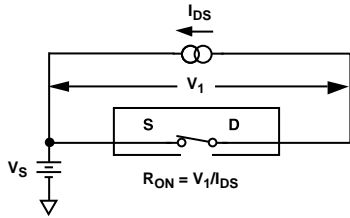


Figure 11. Fast, Accurate Sample-and-Hold Circuit

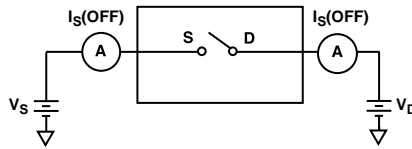
Due to switch and capacitor leakage, the voltage on the hold capacitor will decrease with time. The ADG451/ADG452/ADG453 minimizes this droop due to its low leakage specifications. The droop rate is further minimized by the use of a polystyrene hold capacitor. The droop rate for the circuit shown is typically  $30 \mu\text{V}/\mu\text{s}$ .

A second switch, SW2, that operates in parallel with SW1, is included in this circuit to reduce pedestal error. Since both switches will be at the same potential, they will have a differential effect on the op amp AD711, which will minimize charge injection effects. Pedestal error is also reduced by the compensation network  $R_C$  and  $C_C$ . This compensation network reduces the hold time glitch while optimizing the acquisition time. Using the illustrated op amps and component values, the pedestal error has a maximum value of 5 mV over the  $\pm 10 \text{ V}$  input range. Both the acquisition and settling times are 850 ns.

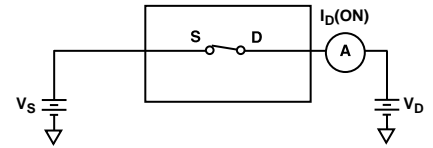
Test Circuits



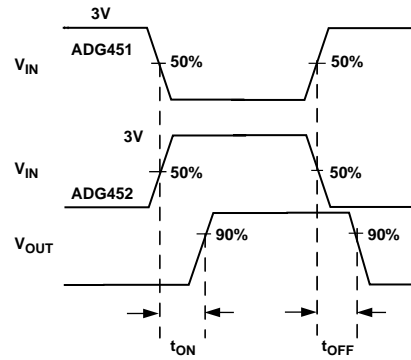
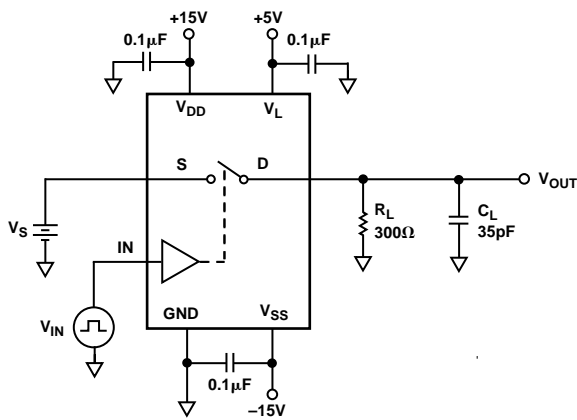
Test Circuit 1. On Resistance



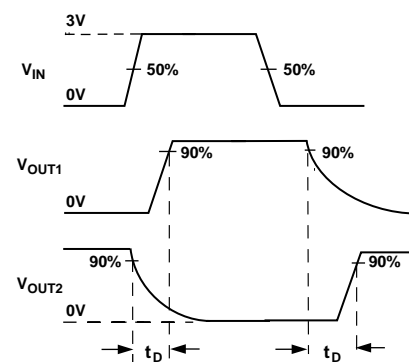
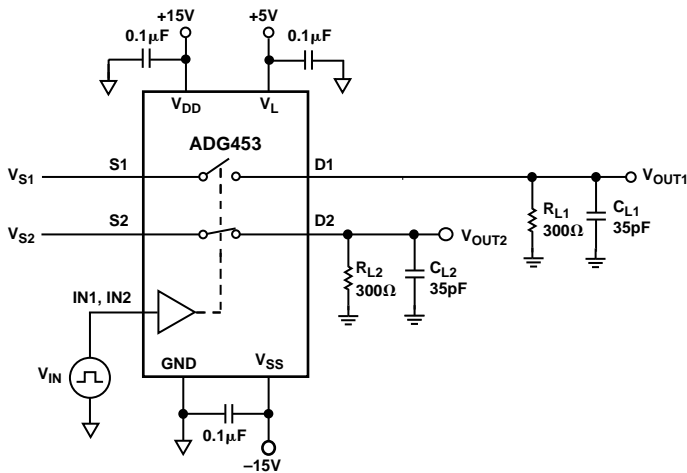
Test Circuit 2. Off Leakage



Test Circuit 3. On Leakage

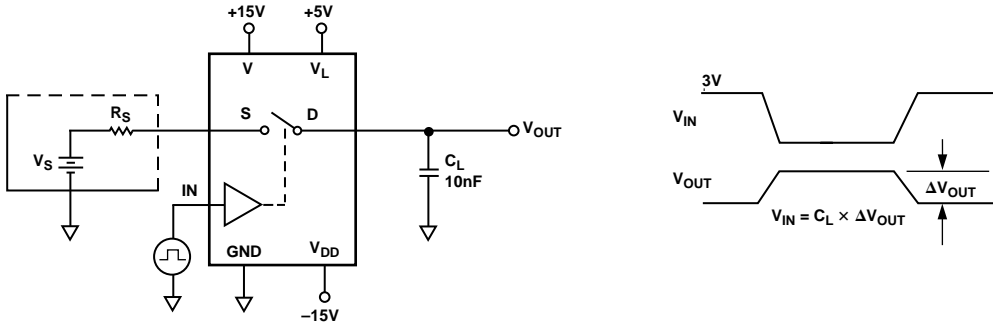


Test Circuit 4. Switching Times

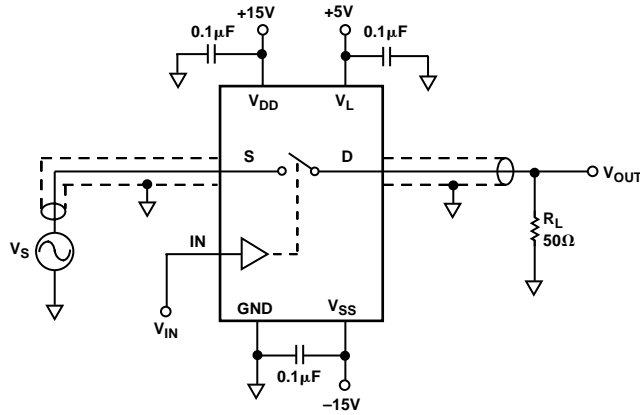


Test Circuit 5. Break-Before-Make Time Delay

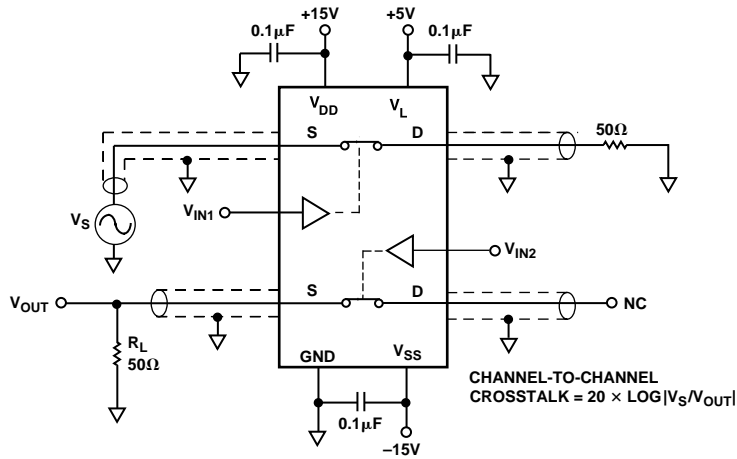
# ADG451/ADG452/ADG453



Test Circuit 6. Charge Injection



Test Circuit 7. Off Isolation



Test Circuit 8. Channel-to-Channel Crosstalk







LittleDiode supplies new, hard to find or obsolete electronic components and semiconductors all over the world.

With over two million different components listed you are sure to find the part you need.

Feel free to visit us today at our online store:

[LittleDiode.com](http://LittleDiode.com)

Looking forward to providing you with the best possible service.