

**ADG601/ADG602**
**FEATURES**

**Low On Resistance 2.5  $\Omega$  Max**  
**<0.6  $\Omega$  On Resistance Flatness**  
**Dual  $\pm 2.7$  V to  $\pm 5.5$  V or Single 2.7 V to 5.5 V Supplies**  
**Rail-to-Rail Input Signal Range**  
**Tiny 6-Lead SOT-23 and 8-Lead Micro-SOIC Packages**  
**Low Power Consumption**  
**TTL/CMOS-Compatible Inputs**

**APPLICATIONS**

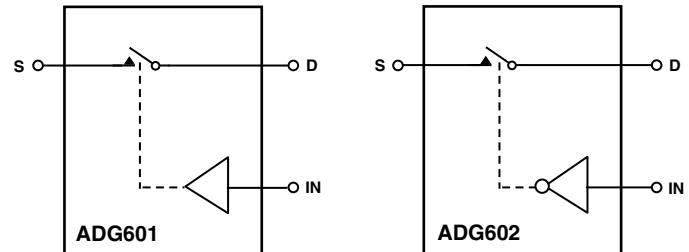
**Automatic Test Equipment**  
**Power Routing**  
**Communication Systems**  
**Data Acquisition Systems**  
**Sample and Hold Systems**  
**Avionics**  
**Relay Replacement**  
**Battery-Powered Systems**

**GENERAL DESCRIPTION**

The ADG601/ADG602 are monolithic CMOS SPST (Single Pole, Single Throw) switches with On Resistance typically less than 2.5  $\Omega$ . The Low On Resistance flatness makes the ADG601/ADG602 ideally suited to many applications, particularly those requiring low distortion. These switches are ideal for replacements for mechanical relays because they are more reliable, have lower power requirements, and package size is much smaller.

The ADG601 is a normally open (NO) switch, while the ADG602 is normally closed (NC). Each switch conducts equally well in both directions when ON, with the input signal range extending to the supply rails.

They are available in tiny 6-lead SOT-23 and 8-lead Micro-SOIC packages.

**FUNCTIONAL BLOCK DIAGRAMS**


SWITCHES SHOWN FOR A LOGIC "1" INPUT

**Table I. Truth Table**

ADG601 In	ADG602 In	Switch Condition
0	1	OFF
1	0	ON

**PRODUCT HIGHLIGHTS**

1. Low On Resistance (2  $\Omega$  typical)
2. Dual  $\pm 2.7$  V to  $\pm 5.5$  V or Single 2.7 V to 5.5 V Supplies
3. Tiny 6-lead SOT-23 and 8-lead Micro-SOIC Packages
4. Rail-to-Rail Input Signal Range

REV. 0

Information furnished by Analog Devices is believed to be accurate and reliable. However, no responsibility is assumed by Analog Devices for its use, nor for any infringements of patents or other rights of third parties that may result from its use. No license is granted by implication or otherwise under any patent or patent rights of Analog Devices.

# ADG601/ADG602—SPECIFICATIONS

## DUAL SUPPLY ( $V_{DD} = 5\text{ V} \pm 10\%$ , $V_{SS} = -5\text{ V} \pm 10\%$ , $GND = 0\text{ V}$ , unless otherwise noted.)

Parameter	B Version -40°C to +85°C		Unit	Test Conditions/Comments
	25°C			
<b>ANALOG SWITCH</b>				
Analog Signal Range		$V_{SS}$ to $V_{DD}$	V	
On Resistance ( $R_{ON}$ )	2		$\Omega$ typ	$V_{DD} = +4.5\text{ V}$ , $V_{SS} = -4.5\text{ V}$ $V_S = \pm 4.5\text{ V}$ , $I_S = -10\text{ mA}$ ; Test Circuit 1
On-Resistance Flatness ( $R_{FLAT(ON)}$ )	2.5	5.5	$\Omega$ max	$V_S = \pm 3.3\text{ V}$ , $I_S = -10\text{ mA}$
	0.35		$\Omega$ typ	
	0.4	0.6	$\Omega$ max	
<b>LEAKAGE CURRENTS</b>				
Source OFF Leakage $I_S$ (OFF)	$\pm 0.01$		nA typ	$V_{DD} = +5.5\text{ V}$ , $V_{SS} = -5.5\text{ V}$ $V_S = +4.5\text{ V}/-4.5\text{ V}$ , $V_D = -4.5\text{ V}/+4.5\text{ V}$ ; Test Circuit 2
	$\pm 0.25$	$\pm 1$	nA max	
Drain OFF Leakage $I_D$ (OFF)	$\pm 0.01$		nA typ	$V_S = +4.5\text{ V}/-4.5\text{ V}$ , $V_D = -4.5\text{ V}/+4.5\text{ V}$ ; Test Circuit 2
	$\pm 0.25$	$\pm 1$	nA max	
Channel ON Leakage $I_D$ , $I_S$ (ON)	$\pm 0.01$		nA typ	$V_S = V_D = +4.5\text{ V}$ , or $-4.5\text{ V}$ ; Test Circuit 3
	$\pm 0.25$	$\pm 1$	nA max	
<b>DIGITAL INPUTS</b>				
Input High Voltage, $V_{INH}$		2.4		V min
Input Low Voltage, $V_{INL}$		0.8		V max
Input Current $I_{INL}$ or $I_{INH}$	0.005		$\mu\text{A}$ typ	$V_{IN} = V_{INL}$ or $V_{INH}$
		$\pm 0.1$	$\mu\text{A}$ max	
$C_{IN}$ , Digital Input Capacitance	2		pF typ	
<b>DYNAMIC CHARACTERISTICS<sup>2</sup></b>				
$t_{ON}$	80		ns typ	$R_L = 300\ \Omega$ , $C_L = 35\text{ pF}$
	120	155	ns max	$V_S = 3.3\text{ V}$ ; Test Circuit 4
$t_{OFF}$	45		ns typ	$R_L = 300\ \Omega$ , $C_L = 35\text{ pF}$
	75	90	ns max	$V_S = 3.3\text{ V}$ ; Test Circuit 4
Charge Injection	250		pC typ	$V_S = 0\text{ V}$ , $R_S = 0\ \Omega$ , $C_L = 1\text{ nF}$ ; Test Circuit 5
Off Isolation	-60		dB typ	$R_L = 50\ \Omega$ , $C_L = 5\text{ pF}$ , $f = 1\text{ MHz}$ ; Test Circuit 6
Bandwidth -3 dB	180		MHz typ	$R_L = 50\ \Omega$ , $C_L = 5\text{ pF}$ ; Test Circuit 7
$C_S$ (OFF)	50		pF typ	$f = 1\text{ MHz}$
$C_D$ (OFF)	50		pF typ	$f = 1\text{ MHz}$
$C_D$ , $C_S$ (ON)	145		pF typ	$f = 1\text{ MHz}$
<b>POWER REQUIREMENTS</b>				
$I_{DD}$	0.001		$\mu\text{A}$ typ	$V_{DD} = +5.5\text{ V}$ , $V_{SS} = -5.5\text{ V}$ Digital Inputs = 0 V or 5.5 V
		1.0	$\mu\text{A}$ max	
$I_{SS}$	0.001		$\mu\text{A}$ typ	Digital Inputs = 0 V or 5.5 V
		1.0	$\mu\text{A}$ max	

### NOTES

<sup>1</sup>Temperature range is as follows: B Version: -40°C to +85°C.

<sup>2</sup>Guaranteed by design, not subject to production test.

Specifications subject to change without notice.

**SINGLE SUPPLY<sup>1</sup>** ( $V_{DD} = 5\text{ V} \pm 10\%$ ,  $V_{SS} = 0\text{ V}$ ,  $GND = 0\text{ V}$ , unless otherwise noted.)

Parameter	B Version		Unit	Test Conditions/Comments
	25°C	-40°C to +85°C		
<b>ANALOG SWITCH</b>				
Analog Signal Range	0 V to $V_{DD}$		V	$V_{DD} = 4.5\text{ V}$
On Resistance ( $R_{ON}$ )	3.5		$\Omega$ typ	$V_S = 0\text{ V to }4.5\text{ V}$ , $I_S = -10\text{ mA}$ ;
	5	8	$\Omega$ max	Test Circuit 1
On-Resistance Flatness ( $R_{FLAT(ON)}$ )	0.2	0.2	$\Omega$ typ	$V_S = 1.5\text{ V to }3.3\text{ V}$ , $I_S = -10\text{ mA}$
		0.35	$\Omega$ max	
<b>LEAKAGE CURRENTS</b>				
Source OFF Leakage $I_S$ (OFF)	$\pm 0.01$		nA typ	$V_{DD} = 5.5\text{ V}$
	$\pm 0.25$	$\pm 1$	nA max	$V_S = 4.5\text{ V/1 V}$ , $V_D = 1\text{ V/4.5 V}$ ;
Drain OFF Leakage $I_D$ (OFF)	$\pm 0.01$		nA typ	Test Circuit 2
	$\pm 0.25$	$\pm 1$	nA max	$V_S = 4.5\text{ V/1 V}$ , $V_D = 1\text{ V/4.5 V}$ ;
Channel ON Leakage $I_D$ , $I_S$ (ON)	$\pm 0.01$		nA typ	Test Circuit 2
	$\pm 0.25$	$\pm 1$	nA max	$V_S = V_D = 4.5\text{ V}$ , or 1 V;
				Test Circuit 3
<b>DIGITAL INPUTS</b>				
Input High Voltage, $V_{INH}$	2.4		V min	
Input Low Voltage, $V_{INL}$	0.8		V max	
Input Current				
$I_{INL}$ or $I_{INH}$	0.005		$\mu\text{A}$ typ	$V_{IN} = V_{INL}$ or $V_{INH}$
		$\pm 0.1$	$\mu\text{A}$ max	
$C_{IN}$ , Digital Input Capacitance	2		pF typ	
<b>DYNAMIC CHARACTERISTICS<sup>2</sup></b>				
$t_{ON}$	110		ns typ	$R_L = 300\ \Omega$ , $C_L = 35\text{ pF}$
	220	280	ns max	$V_S = 3.3\text{ V}$ ; Test Circuit 4
$t_{OFF}$	50		ns typ	$R_L = 300\ \Omega$ , $C_L = 35\text{ pF}$
	80	110	ns max	$V_S = 3.3\text{ V}$ ; Test Circuit 4
Charge Injection	20		pC typ	$V_S = 0\text{ V}$ , $R_S = 0\ \Omega$ , $C_L = 1\text{ nF}$ , Test Circuit 5
Off Isolation	-60		dB typ	$R_L = 50\ \Omega$ , $C_L = 5\text{ pF}$ , $f = 1\text{ MHz}$ , Test Circuit 6
Bandwidth -3 dB	180		MHz typ	$R_L = 50\ \Omega$ , $C_L = 5\text{ pF}$ , Test Circuit 7
$C_S$ (OFF)	50		pF typ	$f = 1\text{ MHz}$
$C_D$ (OFF)	50		pF typ	$f = 1\text{ MHz}$
$C_D$ , $C_S$ (ON)	145		pF typ	$f = 1\text{ MHz}$
<b>POWER REQUIREMENTS</b>				
$I_{DD}$	0.001		$\mu\text{A}$ typ	$V_{DD} = 5.5\text{ V}$
		1.0	$\mu\text{A}$ max	Digital Inputs = 0 V or 5.5 V

## NOTES

<sup>1</sup>Temperature range is as follows: B Version: -40°C to +85°C.<sup>2</sup>Guaranteed by design, not subject to production test.

Specifications subject to change without notice.

# ADG601/ADG602

## ABSOLUTE MAXIMUM RATINGS<sup>1</sup>

(T<sub>A</sub> = 25°C unless otherwise noted)

V <sub>DD</sub> to V <sub>SS</sub> .....	13 V
V <sub>DD</sub> to GND .....	-0.3 V to +6.5 V
V <sub>SS</sub> to GND .....	+0.3 V to -6.5 V
Analog Inputs <sup>2</sup> .....	V <sub>SS</sub> -0.3 V to V <sub>DD</sub> +0.3 V
Digital Inputs <sup>2</sup> .....	-0.3 V to V <sub>DD</sub> +0.3 V
	or 30 mA, whichever occurs first
Continuous Current, S or D .....	100 mA
Peak Current, S or D	
(Pulsed at 1 ms, 10% Duty Cycle Max) .....	200 mA
Operating Temperature Range	
Industrial (B Version) .....	-40°C to +85°C
Storage Temperature Range .....	-65°C to +150°C
Junction Temperature .....	150°C
Micro-SOIC Package	
θ <sub>JA</sub> Thermal Impedance .....	206°C/W
θ <sub>JC</sub> Thermal Impedance .....	44°C/W
SOT_23 Package	
θ <sub>JA</sub> Thermal Impedance .....	229.6°C/W
θ <sub>JC</sub> Thermal Impedance .....	91.99°C/W
Lead Temperature, Soldering (10 seconds) .....	300°C
IR Reflow, Peak Temperature .....	220°C

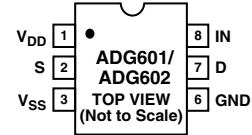
## NOTES

<sup>1</sup>Stresses above those listed under Absolute Maximum Ratings may cause permanent damage to the device. This is a stress rating only; functional operation of the device at these or any other conditions above those listed in the operational sections of this specification is not implied. Exposure to absolute maximum rating conditions for extended periods may affect device reliability. Only one absolute maximum rating may be applied at any one time.

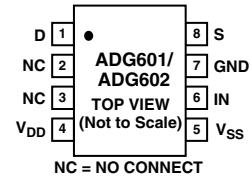
<sup>2</sup>Overvoltages at IN, S, or D will be clamped by internal diodes. Current should be limited to the maximum ratings given.

## PIN CONFIGURATIONS

### 6-Lead Plastic Surface Mount (SOT\_23) (RT-6)



### 8-Lead Small Outline Micro-SOIC (RM-8)



## ORDERING GUIDE

Model	Temperature Range	Package Description	Package Option	Branding Information*
ADG601BRT	-40°C to +85°C	Plastic Surface-Mount (SOT_23)	RT-6	STB
ADG601BRM	-40°C to +85°C	Micro Small Outline (Micro-SOIC)	RM-8	STB
ADG602BRT	-40°C to +85°C	Plastic Surface-Mount (SOT_23)	RT-6	SUB
ADG602BRM	-40°C to +85°C	Micro Small Outline (Micro-SOIC)	RM-8	SUB

\*Branding on SOT\_23 and Micro-SOIC packages is limited to three characters due to space constraints.

## CAUTION

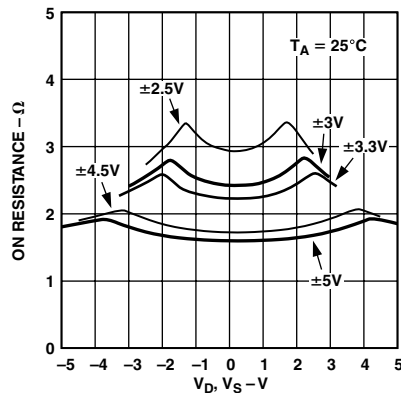
ESD (electrostatic discharge) sensitive device. Electrostatic charges as high as 4000 V readily accumulate on the human body and test equipment and can discharge without detection. Although the ADG601/ADG602 features proprietary ESD protection circuitry, permanent damage may occur on devices subjected to high-energy electrostatic discharges. Therefore, proper ESD precautions are recommended to avoid performance degradation or loss of functionality.



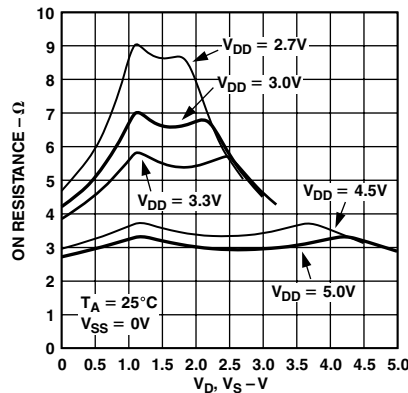
TERMINOLOGY

$V_{DD}$	Most Positive Power Supply Potential
$V_{SS}$	Most Negative Power Supply Potential
$I_{DD}$	Positive Supply Current
$I_{SS}$	Negative Supply Current
GND	Ground (0 V) Reference
S	Source Terminal. May be an input or output.
D	Drain Terminal. May be an input or output.
IN	Logic Control Input
$V_D (V_S)$	Analog Voltage on Terminals D, S
$R_{ON}$	Ohmic Resistance Between D and S
$R_{FLAT(ON)}$	Flatness is defined as the difference between the maximum and minimum value of on-resistance as measured over the specified analog signal range.
$I_S (OFF)$	Source Leakage Current with the Switch "OFF"
$I_D (OFF)$	Drain Leakage Current with the Switch "OFF"
$I_D, I_S (ON)$	Channel Leakage Current with the Switch "ON"
$V_{INL}$	Maximum Input Voltage for Logic "0"
$V_{INH}$	Minimum Input Voltage for Logic "1"
$I_{INL}(I_{INH})$	Input Current of the Digital Input
$C_S (OFF)$	"OFF" Switch Source Capacitance. Measured with reference to ground.
$C_D (OFF)$	"OFF" Switch Drain Capacitance. Measured with reference to ground.
$C_D, C_S(ON)$	"ON" Switch Capacitance. Measured with reference to ground.
$C_{IN}$	Digital Input Capacitance
$t_{ON}$	Delay Between Applying the Digital Control Input and the Output Switching On.
$t_{OFF}$	Delay Between Applying the Digital Control Input and the Output Switching Off.
Charge Injection	A measure of the glitch impulse transferred from the digital input to the analog output during switching.
Off Isolation	A measure of unwanted signal coupling through an "OFF" Switch.
On Response	Frequency Response of the "ON" Switch
Insertion Loss	Loss Due to the ON Resistance of the Switch

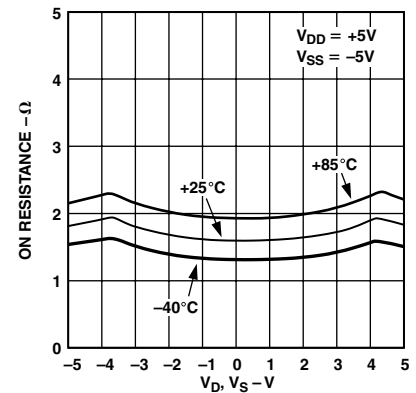
Typical Performance Characteristics



TPC 1. On Resistance vs.  $V_D(V_S)$  (Dual Supply)

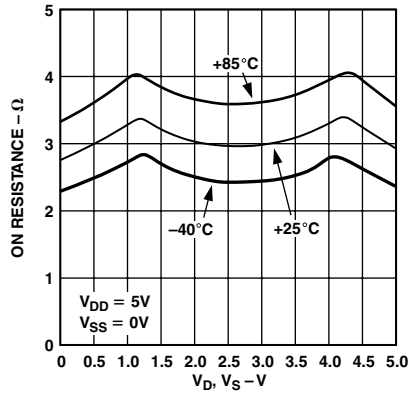


TPC 2. On Resistance vs.  $V_D(V_S)$  (Single Supply)

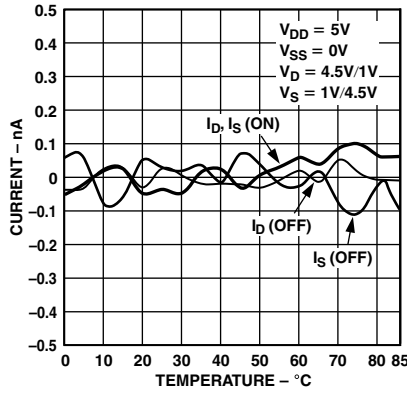


TPC 3. On Resistance vs.  $V_D(V_S)$  for Different Temperatures (Dual Supply)

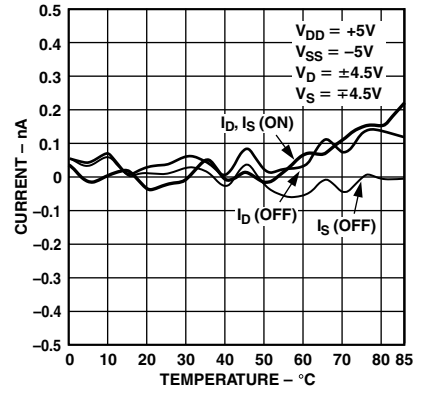
# ADG601/ADG602—Typical Performance Characteristics (continued)



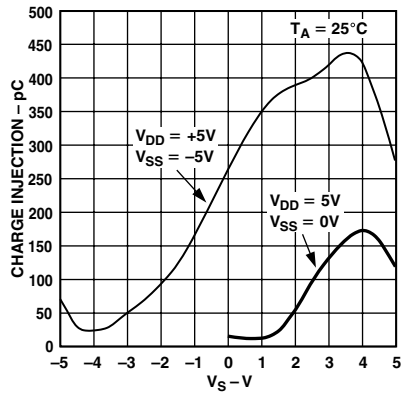
TPC 4. On Resistance vs.  $V_D(V_S)$  for Different Temperatures (Single Supply)



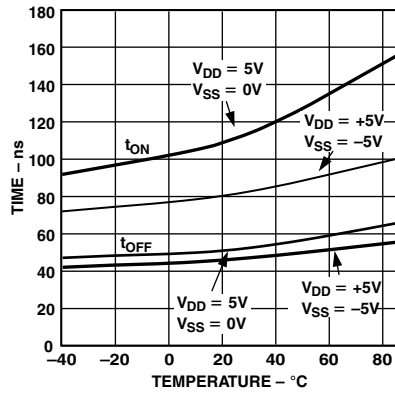
TPC 5. Leakage Currents vs. Temperature (Single Supply)



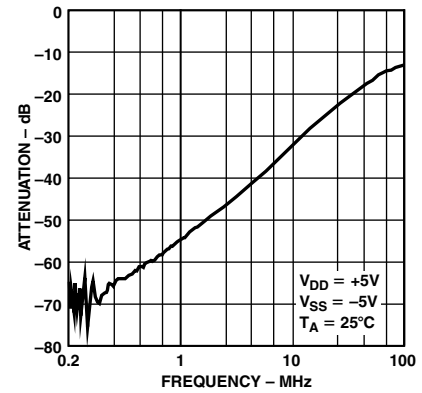
TPC 6. Leakage Currents vs. Temperature (Dual Supply)



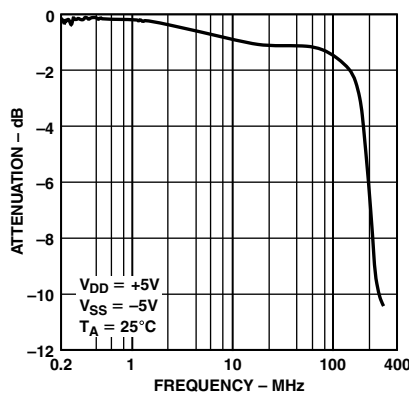
TPC 7. Charge Injection vs. Source Voltage



TPC 8.  $t_{ON}/t_{OFF}$  Times vs. Temperature

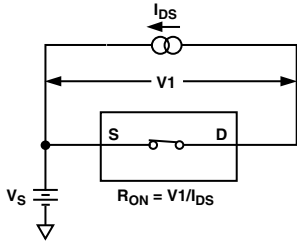


TPC 9. Off Isolation vs. Frequency

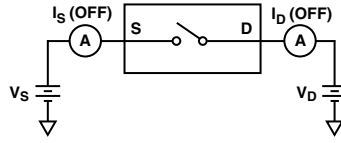


TPC 10. On Response vs. Frequency

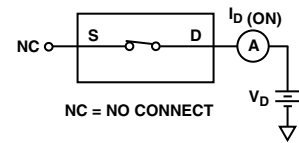
## TEST CIRCUITS



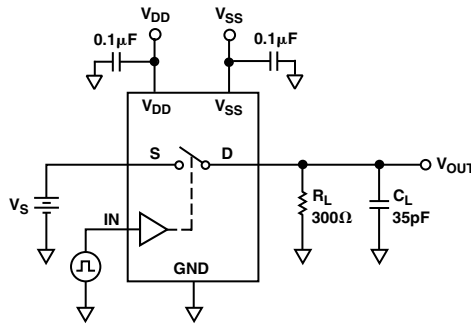
Test Circuit 1. On Resistance



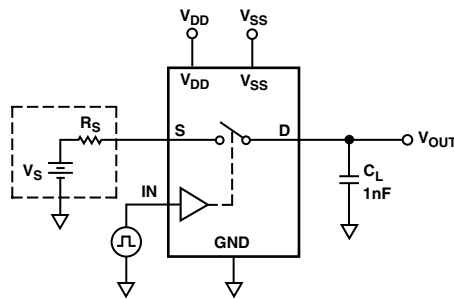
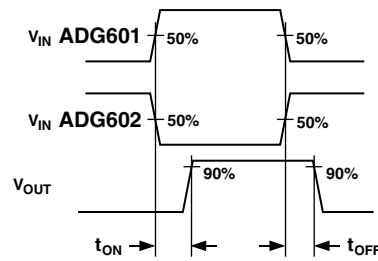
Test Circuit 2. Off Leakage



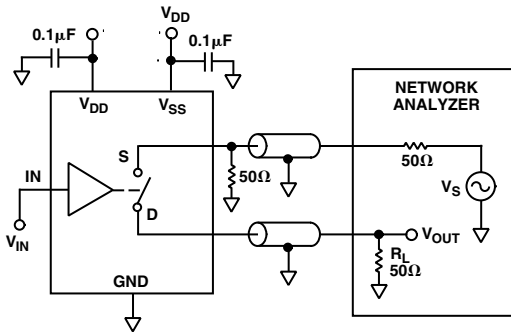
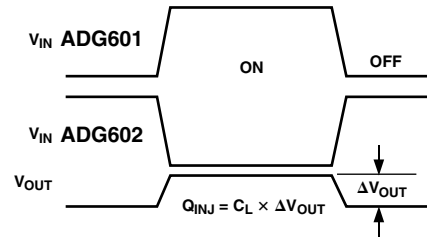
Test Circuit 3. On Leakage



Test Circuit 4. Switching Times

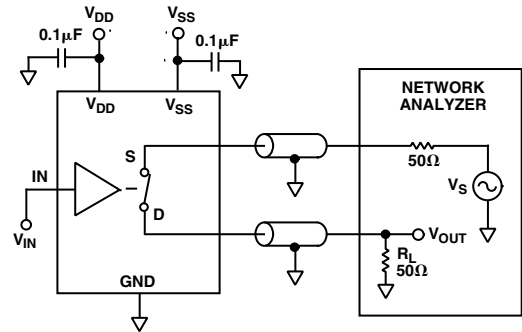


Test Circuit 5. Charge Injection



$$\text{OFF ISOLATION} = 20 \text{ LOG} \frac{V_{\text{OUT}}}{V_S}$$

Test Circuit 6. Off Isolation



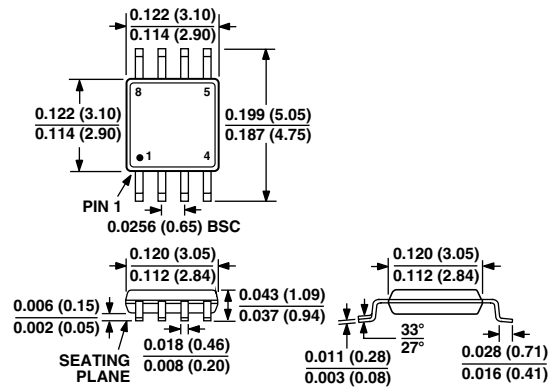
$$\text{INSERTION LOSS} = 20 \text{ LOG} \frac{V_{\text{OUT WITH SWITCH}}}{V_S \text{ WITHOUT SWITCH}}$$

Test Circuit 7. Bandwidth

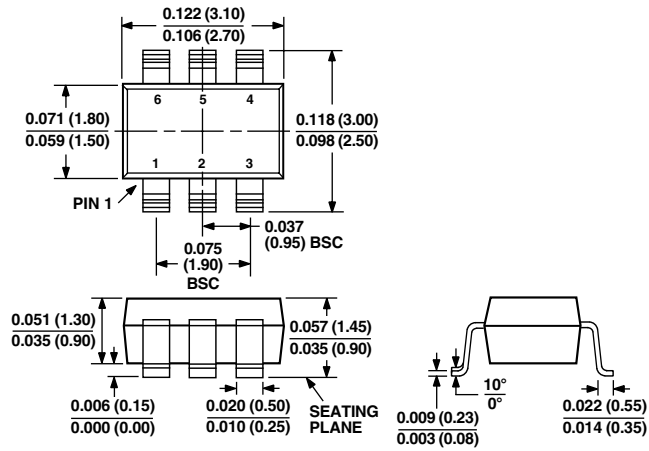
## OUTLINE DIMENSIONS

Dimensions shown in inches and (mm).

### 8-Lead Micro-SOIC (RM-8)



### 6-Lead Plastic Mount SOT-23 (RT-6)





LittleDiode supplies new, hard to find or obsolete electronic components and semiconductors all over the world.

With over two million different components listed you are sure to find the part you need.

Feel free to visit us today at our online store:

[LittleDiode.com](http://LittleDiode.com)

Looking forward to providing you with the best possible service.