

## ADSP-21060/ADSP-21060L

### SUMMARY

High Performance Signal Processor for Communications, Graphics, and Imaging Applications

#### Super Harvard Architecture

Four Independent Buses for Dual Data Fetch, Instruction Fetch, and Nonintrusive I/O

32-Bit IEEE Floating-Point Computation Units—Multiplier, ALU, and Shifter

Dual-Ported On-Chip SRAM and Integrated I/O

Peripherals—A Complete System-On-A-Chip Integrated Multiprocessing Features

### KEY FEATURES

40 MIPS, 25 ns Instruction Rate, Single-Cycle Instruction Execution

120 MFLOPS Peak, 80 MFLOPS Sustained Performance

Dual Data Address Generators with Modulo and Bit-Reverse Addressing

Efficient Program Sequencing with Zero-Overhead Looping: Single-Cycle Loop Setup

IEEE JTAG Standard 1149.1 Test Access Port and

On-Chip Emulation

240-Lead Thermally Enhanced MQFP Package

225 PBGA Package

32-Bit Single-Precision and 40-Bit Extended-Precision

IEEE Floating-Point Data Formats or 32-Bit Fixed-Point Data Format

#### Parallel Computations

Single-Cycle Multiply and ALU Operations in Parallel with Dual Memory Read/Writes and Instruction Fetch

Multiply with Add and Subtract for Accelerated FFT

Butterfly Computation

#### 4 Mbit On-Chip SRAM

Dual-Ported for Independent Access by Core Processor and DMA

#### Off-Chip Memory Interfacing

4 Gigawords Addressable

Programmable Wait State Generation, Page-Mode

DRAM Support

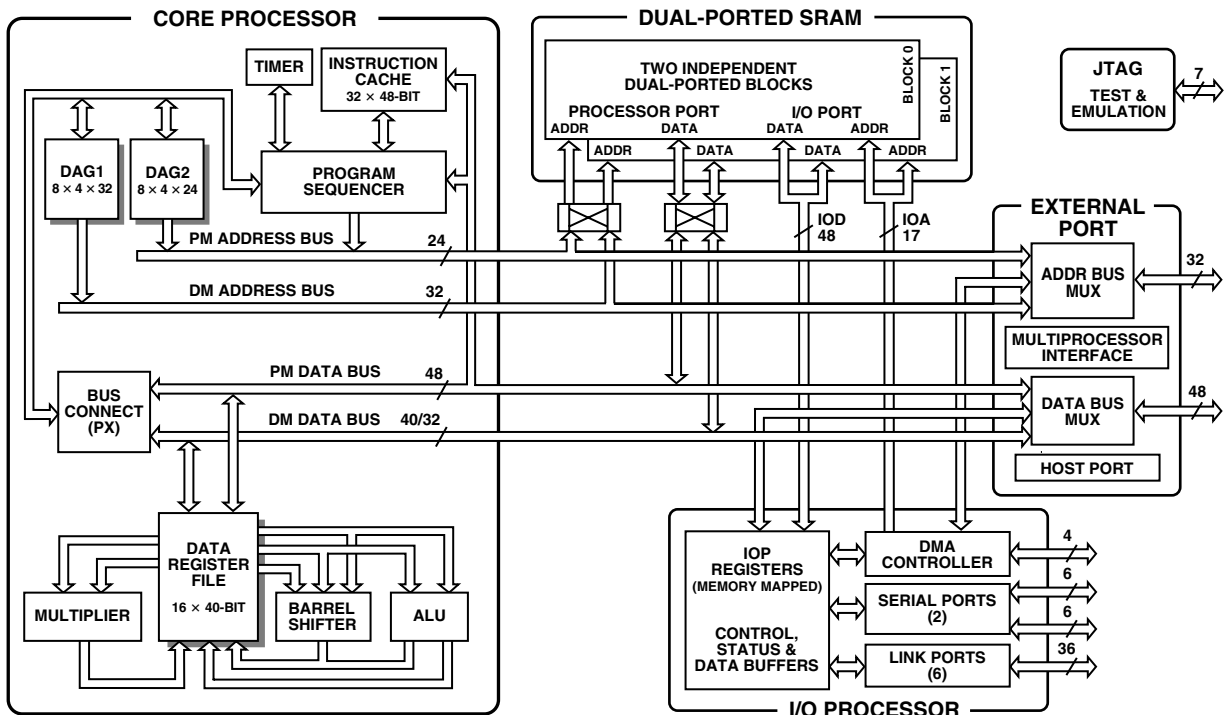


Figure 1. Block Diagram

SHARC is a registered trademark of Analog Devices, Inc.

### REV. D

Information furnished by Analog Devices is believed to be accurate and reliable. However, no responsibility is assumed by Analog Devices for its use, nor for any infringements of patents or other rights of third parties which may result from its use. No license is granted by implication or otherwise under any patent or patent rights of Analog Devices.

# ADSP-21060/ADSP-21060L

## DMA Controller

10 DMA Channels for Transfers Between ADSP-2106x Internal Memory and External Memory, External Peripherals, Host Processor, Serial Ports, or Link Ports

Background DMA Transfers at 40 MHz, in Parallel with Full-Speed Processor Execution

Host Processor Interface to 16- and 32-Bit Microprocessors Host Can Directly Read/Write ADSP-2106x Internal Memory

## Multiprocessing

Glueless Connection for Scalable DSP Multiprocessing Architecture

Distributed On-Chip Bus Arbitration for Parallel Bus Connect of Up to Six ADSP-2106xs Plus Host

Six Link Ports for Point-to-Point Connectivity and Array Multiprocessing

240 Mbytes/s Transfer Rate Over Parallel Bus

240 Mbytes/s Transfer Rate Over Link Ports

## Serial Ports

Two 40 Mbit/s Synchronous Serial Ports with Companding Hardware

Independent Transmit and Receive Functions

## TABLE OF CONTENTS

GENERAL DESCRIPTION	3
ADSP-21000 FAMILY CORE ARCHITECTURE	3
ADSP-21060/ADSP-21060L FEATURES	4
DEVELOPMENT TOOLS	7
PIN FUNCTION DESCRIPTIONS	8
TARGET BOARD CONNECTOR FOR EZ-ICE®	
PROBE	11
RECOMMENDED OPERATING CONDITIONS (5 V)	13
ELECTRICAL CHARACTERISTICS (5 V)	13
POWER DISSIPATION ADSP-21060 (5 V)	14
RECOMMENDED OPERATING CONDITIONS (3.3 V)	15
ELECTRICAL CHARACTERISTICS (3.3 V)	15
POWER DISSIPATION ADSP-21060L (3.3 V)	16
ABSOLUTE MAXIMUM RATINGS	17
TIMING SPECIFICATIONS	17
Memory Read—Bus Master	20
Memory Write—Bus Master	21
Synchronous Read/Write—Bus Master	22
Synchronous Read/Write—Bus Slave	24
Multiprocessor Bus Request and Host Bus Request	25
Asynchronous Read/Write—Host to ADSP-2106x	27
Three-State Timing—Bus Master, Bus Slave, HBR, SBTS	29
DMA Handshake	30
Link Ports: 1 × CLK Speed Operation	32
Link Ports: 2 × CLK Speed Operation	33
Serial Ports	35
JTAG Test Access Port and Emulation	38
OUTPUT DRIVE CURRENTS	39
POWER DISSIPATION	39
TEST CONDITIONS	39
ENVIRONMENTAL CONDITIONS	42
240-LEAD MQFP PIN CONFIGURATIONS	43
PACKAGE DIMENSIONS (240-Lead MQFP)	44
225-Ball Plastic Ball Grid Array (PBGA)	
Package Pinout	45, 46
PACKAGE DIMENSIONS (225-Ball Grid Array PBGA)	47
ORDERING GUIDE	47

## FIGURES

Figure 1. ADSP-21060/ADSP-21060L Block Diagram	1
Figure 2. ADSP-2106x System	4
Figure 3. Shared Memory Multiprocessing System	6
Figure 4. ADSP-21060/ADSP-21060L Memory Map	7
Figure 5. Target Board Connector For ADSP-2106x EZ-ICE Emulator (Jumpers in Place)	11

EZ-ICE is a registered trademark of Analog Devices, Inc.

Figure 6. JTAG Scan Path Connections for Multiple ADSP-2106x Systems	11
Figure 7. JTAG Clocktree for Multiple ADSP-2106x Systems	12
Figure 8. Clock Input	18
Figure 9. Reset	18
Figure 10. Interrupts	18
Figure 11. Timer	19
Figure 12. Flags	19
Figure 13. Memory Read—Bus Master	20
Figure 14. Memory Write—Bus Master	21
Figure 15. Synchronous Read/Write—Bus Master	23
Figure 16. Synchronous Read/Write—Bus Slave	24
Figure 17. Multiprocessor Bus Request and Host Bus Request	26
Figure 18a. Synchronous REDY Timing	27
Figure 18b. Asynchronous Read/Write—Host to ADSP-2106x	28
Figure 19a. Three-State Timing (Bus Transition Cycle, SBTS Assertion)	29
Figure 19b. Three-State Timing (Host Transition Cycle)	29
Figure 20. DMA Handshake Timing	31
Figure 21. Link Ports	34
Figure 22. Serial Ports	36
Figure 23. External Late Frame Sync	37
Figure 24. IEEE 11499.1 JTAG Test Access Port	38
Figure 25. Output Enable/Disable	40
Figure 26. Equivalent Device Loading for AC Measurements (Includes All Fixtures)	40
Figure 27. Voltage Reference Levels for AC Measurements (Except Output Enable/Disable)	40
Figure 28. ADSP-2106x Typical Drive Currents ( $V_{DD} = 5\text{ V}$ )	41
Figure 29. Typical Output Rise Time (10%–90% $V_{DD}$ ) vs. Load Capacitance ( $V_{DD} = 5\text{ V}$ )	41
Figure 30. Typical Output Rise Time (0.8 V–2.0 V) vs. Load Capacitance ( $V_{DD} = 5\text{ V}$ )	41
Figure 31. Typical Output Delay or Hold vs. Load Capacitance (at Maximum Case Temperature) ( $V_{DD} = 5\text{ V}$ )	41
Figure 32. ADSP-2106x Typical Drive Currents ( $V_{DD} = 3.3\text{ V}$ )	41
Figure 33. Typical Output Rise Time (10%–90% $V_{DD}$ ) vs. Load Capacitance ( $V_{DD} = 3.3\text{ V}$ )	41
Figure 34. Typical Output Rise Time (0.8 V–2.0 V) vs. Load Capacitance ( $V_{DD} = 3.3\text{ V}$ )	42
Figure 35. Typical Output Delay or Hold vs. Load Capacitance (at Maximum Case Temperature) ( $V_{DD} = 3.3\text{ V}$ )	42

# SHARC

## GENERAL DESCRIPTION

The ADSP-21060 SHARC—Super Harvard Architecture Computer—is a signal processing microcomputer that offers new capabilities and levels of performance. The ADSP-2106x SHARCs are 32-bit processors optimized for high performance DSP applications. The ADSP-2106x builds on the ADSP-21000 DSP core to form a complete system-on-a-chip, adding a dual-ported on-chip SRAM and integrated I/O peripherals supported by a dedicated I/O bus.

Fabricated in a high speed, low power CMOS process, the ADSP-2106x has a 25 ns instruction cycle time and operates at 40 MIPS. With its on-chip instruction cache, the processor can execute every instruction in a single cycle. Table I shows performance benchmarks for the ADSP-2106x.

The ADSP-2106x SHARC represents a new standard of integration for signal computers, combining a high performance floating-point DSP core with integrated, on-chip system features including a 4 Mbit SRAM memory host processor interface, DMA controller, serial ports, and link port and parallel bus connectivity for glueless DSP multiprocessing.

Figure 1 shows a block diagram of the ADSP-2106x, illustrating the following architectural features:

- Computation Units (ALU, Multiplier and Shifter) with a Shared Data Register File
- Data Address Generators (DAG1, DAG2)
- Program Sequencer with Instruction Cache
- Interval Timer
- On-Chip SRAM
- External Port for Interfacing to Off-Chip Memory and Peripherals
- Host Port and Multiprocessor Interface
- DMA Controller
- Serial Ports and Link Ports
- JTAG Test Access Port

Figure 2 shows a typical single-processor system. A multiprocessing system is shown in Figure 3.

**Table I. ADSP-21060/ADSP-21060L Benchmarks (@ 40 MHz)**

1024-Pt. Complex FFT (Radix 4, with Digit Reverse)	0.46 ms	18,221 cycles
FIR Filter (per Tap)	25 ns	1 cycle
IIR Filter (per Biquad)	100 ns	4 cycles
Divide (y/x)	150 ns	6 cycles
Inverse Square Root ( $1/\sqrt{x}$ )	225 ns	9 cycles
DMA Transfer Rate	240 Mbytes/s	

## ADSP-21000 FAMILY CORE ARCHITECTURE

The ADSP-2106x includes the following architectural features of the ADSP-21000 family core. The ADSP-21060 is code- and function-compatible with the ADSP-21061 and ADSP-21062.

### Independent, Parallel Computation Units

The arithmetic/logic unit (ALU), multiplier and shifter all perform single-cycle instructions. The three units are arranged in parallel, maximizing computational throughput. Single multi-function instructions execute parallel ALU and multiplier operations. These computation units support IEEE 32-bit single-precision floating-point, extended precision 40-bit floating-point, and 32-bit fixed-point data formats.

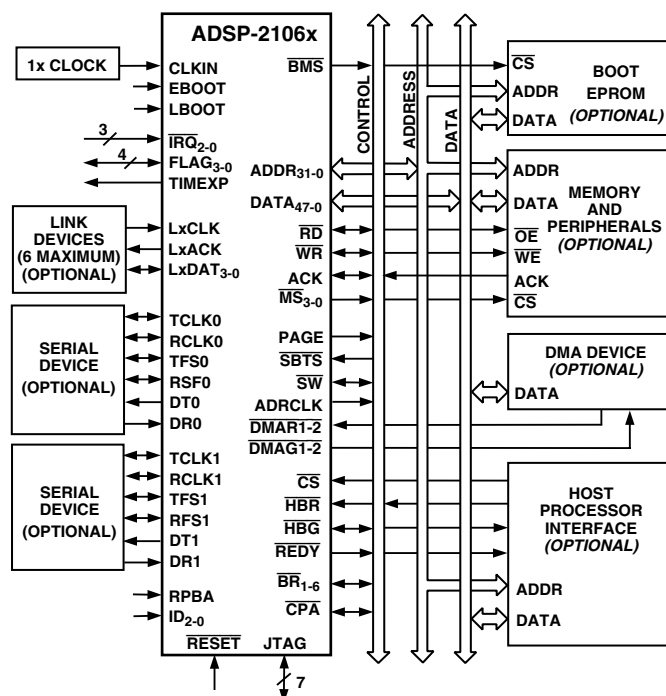


Figure 2. ADSP-2106x System

### Data Register File

A general purpose data register file is used for transferring data between the computation units and the data buses, and for storing intermediate results. This 10-port, 32-register (16 primary, 16 secondary) register file, combined with the ADSP-21000 Harvard architecture, allows unconstrained data flow between computation units and internal memory.

### Single-Cycle Fetch of Instruction and Two Operands

The ADSP-2106x features an enhanced Harvard architecture in which the data memory (DM) bus transfers data and the program memory (PM) bus transfers both instructions and data (see Figure 1). With its separate program and data memory buses and on-chip instruction cache, the processor can simultaneously fetch two operands and an instruction (from the cache), all in a single cycle.

# ADSP-21060/ADSP-21060L

## Instruction Cache

The ADSP-2106x includes an on-chip instruction cache that enables three-bus operation for fetching an instruction and two data values. The cache is selective—only the instructions whose fetches conflict with PM bus data accesses are cached. This allows full-speed execution of core, looped operations such as digital filter multiply-accumulates and FFT butterfly processing.

## Data Address Generators with Hardware Circular Buffers

The ADSP-2106x's two data address generators (DAGs) implement circular data buffers in hardware. Circular buffers allow efficient programming of delay lines and other data structures required in digital signal processing, and are commonly used in digital filters and Fourier transforms. The two DAGs of the ADSP-2106x contain sufficient registers to allow the creation of up to 32 circular buffers (16 primary register sets, 16 secondary). The DAGs automatically handle address pointer wrap-around, reducing overhead, increasing performance, and simplifying implementation. Circular buffers can start and end at any memory location.

## Flexible Instruction Set

The 48-bit instruction word accommodates a variety of parallel operations, for concise programming. For example, the ADSP-2106x can conditionally execute a multiply, an add, a subtract and a branch, all in a single instruction.

## ADSP-21060/ADSP-21060L FEATURES

Augmenting the ADSP-21000 family core, the ADSP-21060 adds the following architectural features:

### Dual-Ported On-Chip Memory

The ADSP-21060 contains four megabits of on-chip SRAM, organized as two blocks of 2 Mbits each, which can be configured for different combinations of code and data storage. Each memory block is dual-ported for single-cycle, independent accesses by the core processor and I/O processor or DMA controller. The dual-ported memory and separate on-chip buses allow two data transfers from the core and one from I/O, all in a single cycle.

On the ADSP-21060, the memory can be configured as a maximum of 128K words of 32-bit data, 256K words of 16-bit data, 80K words of 48-bit instructions (or 40-bit data), or combinations of different word sizes up to four megabits. All of the memory can be accessed as 16-bit, 32-bit, or 48-bit words.

A 16-bit floating-point storage format is supported that effectively doubles the amount of data that may be stored on-chip. Conversion between the 32-bit floating-point and 16-bit floating-point formats is done in a single instruction.

While each memory block can store combinations of code and data, accesses are most efficient when one block stores data, using the DM bus for transfers, and the other block stores instructions and data, using the PM bus for transfers. Using the DM bus and PM bus in this way, with one dedicated to each memory block, assures single-cycle execution with two data transfers. In this case, the instruction must be available in the cache. Single-cycle execution is also maintained when one of the data operands is transferred to or from off-chip, via the ADSP-2106x's external port.

## Off-Chip Memory and Peripherals Interface

The ADSP-2106x's external port provides the processor's interface to off-chip memory and peripherals. The 4-gigaword off-chip address space is included in the ADSP-2106x's unified address space. The separate on-chip buses—for PM addresses, PM data, DM addresses, DM data, I/O addresses, and I/O data—are multiplexed at the external port to create an external system bus with a single 32-bit address bus and a single 48-bit (or 32-bit) data bus.

Addressing of external memory devices is facilitated by on-chip decoding of high-order address lines to generate memory bank select signals. Separate control lines are also generated for simplified addressing of page-mode DRAM. The ADSP-2106x provides programmable memory wait states and external memory acknowledge controls to allow interfacing to DRAM and peripherals with variable access, hold, and disable time requirements.

## Host Processor Interface

The ADSP-2106x's host interface allows easy connection to standard microprocessor buses, both 16-bit and 32-bit, with little additional hardware required. Asynchronous transfers at speeds up to the full clock rate of the processor are supported. The host interface is accessed through the ADSP-2106x's external port and is memory-mapped into the unified address space. Four channels of DMA are available for the host interface; code and data transfers are accomplished with low software overhead.

The host processor requests the ADSP-2106x's external bus with the host bus request ( $\overline{\text{HBR}}$ ), host bus grant ( $\overline{\text{HBG}}$ ), and ready (REDY) signals. The host can directly read and write the internal memory of the ADSP-2106x, and can access the DMA channel setup and mailbox registers. Vector interrupt support is provided for efficient execution of host commands.

## DMA Controller

The ADSP-2106x's on-chip DMA controller allows zero-overhead data transfers without processor intervention. The DMA controller operates independently and invisibly to the processor core, allowing DMA operations to occur while the core is simultaneously executing its program instructions.

DMA transfers can occur between the ADSP-2106x's internal memory and either external memory, external peripherals or a host processor. DMA transfers can also occur between the ADSP-2106x's internal memory and its serial ports or link ports. DMA transfers between external memory and external peripheral devices are another option. External bus packing to 16-, 32-, or 48-bit words is performed during DMA transfers.

Ten channels of DMA are available on the ADSP-2106x—two via the link ports, four via the serial ports, and four via the processor's external port (for either host processor, other ADSP-2106xs, memory or I/O transfers). Four additional link port DMA channels are shared with serial port 1 and the external port. Programs can be downloaded to the ADSP-2106x using DMA transfers. Asynchronous off-chip peripherals can control two DMA channels using DMA Request/Grant lines ( $\overline{\text{DMAR1-2}}$ ,  $\overline{\text{DMAG1-2}}$ ). Other DMA features include interrupt generation upon completion of DMA transfers and DMA chaining for automatic linked DMA transfers.

**Serial Ports**

The ADSP-2106x features two synchronous serial ports that provide an inexpensive interface to a wide variety of digital and mixed-signal peripheral devices. The serial ports can operate at the full clock rate of the processor, providing each with a maximum data rate of 40 Mbit/s. Independent transmit and receive functions provide greater flexibility for serial communications. Serial port data can be automatically transferred to and from on-chip memory via DMA. Each of the serial ports offers TDM multichannel mode.

The serial ports can operate with little-endian or big-endian transmission formats, with word lengths selectable from 3 bits to 32 bits. They offer selectable synchronization and transmit modes as well as optional  $\mu$ -law or A-law companding. Serial port clocks and frame syncs can be internally or externally generated.

**Multiprocessing**

The ADSP-2106x offers powerful features tailored to multiprocessing DSP systems. The unified address space (see Figure 4) allows direct interprocessor accesses of each ADSP-2106x's internal memory. Distributed bus arbitration logic is included on-chip for simple, glueless connection of systems containing up to six ADSP-2106xs and a host processor. Master processor changeover incurs only one cycle of overhead. Bus arbitration is selectable as either fixed or rotating priority. Bus lock allows indivisible *read-modify-write* sequences for semaphores. A vector interrupt is provided for interprocessor commands. Maximum throughput for interprocessor data transfer is 240 Mbytes/s over the link ports or external port. *Broadcast writes* allow simultaneous transmission of data to all ADSP-2106xs and can be used to implement reflective semaphores.

**Link Ports**

The ADSP-2106x features six 4-bit link ports that provide additional I/O capabilities. The link ports can be clocked twice per cycle, allowing each to transfer eight bits per cycle. Link port I/O is especially useful for point-to-point interprocessor communication in multiprocessing systems.

The link ports can operate independently and simultaneously, with a maximum data throughput of 240 Mbytes/s. Link port data is packed into 32- or 48-bit words, and can be directly read by the core processor or DMA-transferred to on-chip memory.

Each link port has its own double-buffered input and output registers. Clock/acknowledge handshaking controls link port transfers. Transfers are programmable as either transmit or receive.

**Program Booting**

The internal memory of the ADSP-2106x can be booted at system power-up from either an 8-bit EPROM, a host processor, or through one of the link ports. Selection of the boot source is controlled by the  $\overline{\text{BMS}}$  (Boot Memory Select), EBOOT (EPROM Boot), and LBOOT (Link/Host Boot) pins. 32-bit and 16-bit host processors can be used for booting.

# ADSP-21060/ADSP-21060L

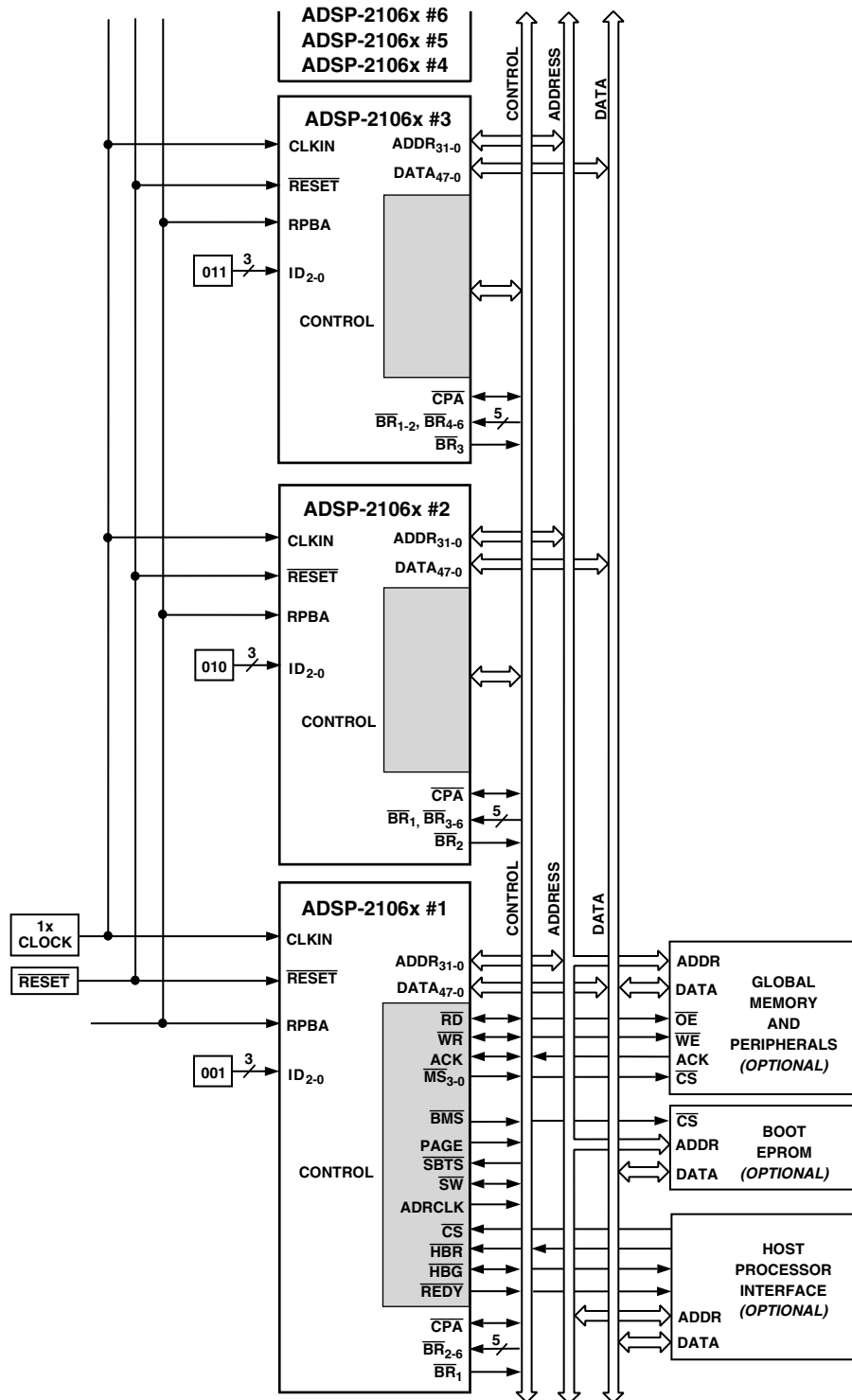


Figure 3. Shared Memory Multiprocessing System

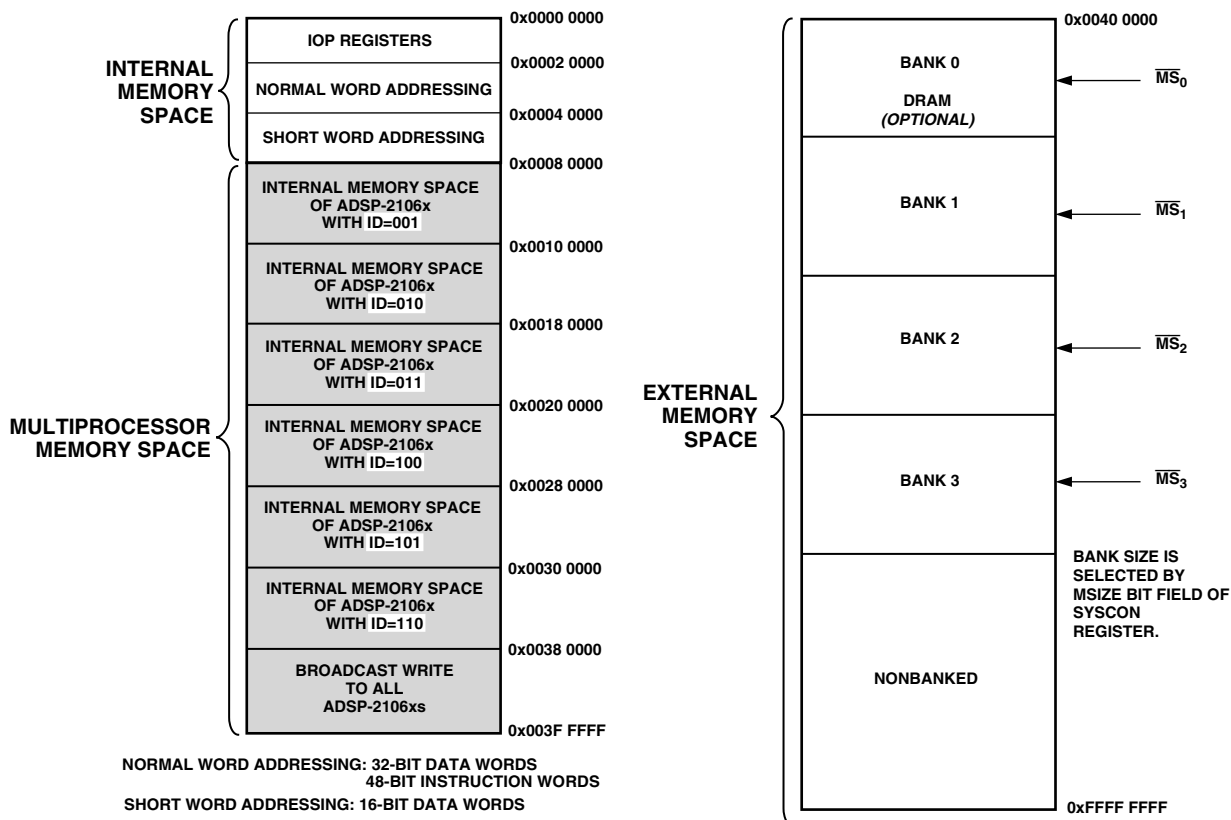


Figure 4. ADSP-21060/ADSP-21060L Memory Map

## DEVELOPMENT TOOLS

The ADSP-21060 is supported with a complete set of software and hardware development tools, including an EZ-ICE In-Circuit Emulator, EZ-Kit, and development software. The SHARC EZ-Kit is a complete low cost package for DSP evaluation and prototyping. The EZ-Kit contains a PC plug-in card (EZ-LAB<sup>®</sup>) with an ADSP-21062 (5 V) processor. The EZ-Kit also includes an optimizing compiler, assembler, instruction level simulator, run-time libraries, diagnostic utilities and a complete set of example programs.

The same EZ-ICE hardware can be used for the ADSP-21061/ADSP-21062, to fully emulate the ADSP-21060, with the exception of displaying and modifying the two new SPORTS registers unique to ADSP-21061.

Analog Devices ADSP-21000 Family Development Software includes an easy to use Assembler based on an algebraic syntax, Assembly Library/Librarian, Linker, instruction-level Simulator, an ANSI C optimizing Compiler, the CBUG<sup>™</sup> C Source—Level Debugger and a C Runtime Library including DSP and mathematical functions. The Optimizing Compiler includes Numerical C extensions based on the work of the ANSI Numerical C Extensions Group. Numerical C provides extensions to the C language for array selections, vector math operations, complex data types, circular pointers and variably dimensioned

arrays. The ADSP-21000 Family Development Software is available for both the PC and Sun platforms.

The ADSP-21060 EZ-ICE Emulator uses the IEEE 1149.1 JTAG test access port of the ADSP-21060 processor to monitor and control the target board processor during emulation. The EZ-ICE provides full-speed emulation, allowing inspection and modification of memory, registers, and processor stacks. Nonintrusive in-circuit emulation is assured by the use of the processor's JTAG interface—the emulator does not affect target system loading or timing.

Further details and ordering information are available in the *ADSP-21000 Family Hardware and Software Development Tools* data sheet (ADDS-210xx-TOOLS). This data sheet can be requested from any Analog Devices sales office or distributor.

In addition to the software and hardware development tools available from Analog Devices, third parties provide a wide range of tools supporting the SHARC processor family. Hardware tools include SHARC PC plug-in cards multiprocessor SHARC VME boards, and daughter and modules with multiple SHARCs and additional memory. These modules are based on the SHARCPAC<sup>™</sup> module specification. Third Party software tools include an Ada compiler, DSP libraries, operating systems and block diagram design tools.

## ADDITIONAL INFORMATION

This data sheet provides a general overview of the ADSP-21060 architecture and functionality. For detailed information on the ADSP-21000 Family core architecture and instruction set, refer to the *ADSP-2106x SHARC User's Manual*, Second Edition.

# ADSP-21060/ADSP-21060L

## PIN FUNCTION DESCRIPTIONS

ADSP-21060 pin definitions are listed below. All pins are identical on the ADSP-21060 and ADSP-21060L. Inputs identified as synchronous (S) must meet timing requirements with respect to CLKIN (or with respect to TCK for TMS, TDI). Inputs identified as asynchronous (A) can be asserted asynchronously to CLKIN (or to TCK for TRST).

Unused inputs should be tied or pulled to VDD or GND, except for ADDR<sub>31-0</sub>, DATA<sub>47-0</sub>, FLAG<sub>3-0</sub>,  $\overline{SW}$ , and inputs that have internal pull-up or pull-down resistors ( $\overline{CPA}$ , ACK, DTx,

DRx, TCLKx, RCLKx, LxDAT<sub>3-0</sub>, LxCLK, LxACK, TMS and TDI)—these pins can be left floating. These pins have a logic-level hold circuit that prevents the input from floating internally.

A = Asynchronous      G = Ground      I = Input  
 O = Output              P = Power Supply      S = Synchronous  
 (A/D) = Active Drive      (O/D) = Open Drain  
 T = Three-State (when  $\overline{SBTS}$  is asserted, or when the ADSP-2106x is a bus slave)

Pin	Type	Function
ADDR <sub>31-0</sub>	I/O/T	<b>External Bus Address.</b> The ADSP-2106x outputs addresses for external memory and peripherals on these pins. In a multiprocessor system the bus master outputs addresses for read/writes of the internal memory or IOP registers of other ADSP-2106xs. The ADSP-2106x inputs addresses when a host processor or multiprocessing bus master is reading or writing its internal memory or IOP registers.
DATA <sub>47-0</sub>	I/O/T	<b>External Bus Data.</b> The ADSP-2106x inputs and outputs data and instructions on these pins. 32-bit single-precision floating-point data and 32-bit fixed-point data is transferred over bits 47–16 of the bus. 40-bit extended-precision floating-point data is transferred over bits 47–8 of the bus. 16-bit short word data is transferred over bits 31–16 of the bus. In PROM boot mode, 8-bit data is transferred over bits 23–16. Pull-up resistors on unused DATA pins are not necessary.
$\overline{MS}_{3-0}$	O/T	<b>Memory Select Lines.</b> These lines are asserted (low) as chip selects for the corresponding banks of external memory. Memory bank size must be defined in the ADSP-2106x's system control register (SYSCON). The $\overline{MS}_{3-0}$ lines are decoded memory address lines that change at the same time as the other address lines. When no external memory access is occurring the $\overline{MS}_{3-0}$ lines are inactive; they are active however when a conditional memory access instruction is executed, whether or not the condition is true. $\overline{MS}_0$ can be used with the PAGE signal to implement a bank of DRAM memory (Bank 0). In a multiprocessing system the $\overline{MS}_{3-0}$ lines are output by the bus master.
$\overline{RD}$	I/O/T	<b>Memory Read Strobe.</b> This pin is asserted (low) when the ADSP-2106x reads from external memory devices or from the internal memory of other ADSP-2106xs. External devices (including other ADSP-2106xs) must assert $\overline{RD}$ to read from the ADSP-2106x's internal memory. In a multiprocessing system $\overline{RD}$ is output by the bus master and is input by all other ADSP-2106xs.
$\overline{WR}$	I/O/T	<b>Memory Write Strobe.</b> This pin is asserted (low) when the ADSP-2106x writes to external memory devices or to the internal memory of other ADSP-2106xs. External devices must assert $\overline{WR}$ to write to the ADSP-2106x's internal memory. In a multiprocessing system $\overline{WR}$ is output by the bus master and is input by all other ADSP-2106xs.
PAGE	O/T	<b>DRAM Page Boundary.</b> The ADSP-2106x asserts this pin to signal that an external DRAM page boundary has been crossed. DRAM page size must be defined in the ADSP-2106x's memory control register (WAIT). DRAM can only be implemented in external memory Bank 0; the PAGE signal can only be activated for Bank 0 accesses. In a multiprocessing system PAGE is output by the bus master.
ADRCLK	O/T	<b>Clock Output Reference.</b> In a multiprocessing system ADRCLK is output by the bus master.
$\overline{SW}$	I/O/T	<b>Synchronous Write Select.</b> This signal is used to interface the ADSP-2106x to synchronous memory devices (including other ADSP-2106xs). The ADSP-2106x asserts $\overline{SW}$ (low) to provide an early indication of an impending write cycle, which can be aborted if $\overline{WR}$ is not later asserted (e.g., in a conditional write instruction). In a multiprocessing system, $\overline{SW}$ is output by the bus master and is input by all other ADSP-2106xs to determine if the multiprocessor memory access is a read or write. $\overline{SW}$ is asserted at the same time as the address output. A host processor using synchronous writes must assert this pin when writing to the ADSP-2106x(s).
ACK	I/O/S	<b>Memory Acknowledge.</b> External devices can deassert ACK (low) to add wait states to an external memory access. ACK is used by I/O devices, memory controllers, or other peripherals to hold off completion of an external memory access. The ADSP-2106x deasserts ACK as an output to add wait states to a synchronous access of its internal memory. In a multiprocessing system, a slave ADSP-2106x deasserts the bus master's ACK input to add wait state(s) to an access of its internal memory. The bus master has a keeper latch on its ACK pin that maintains the input at the level it was last driven to.

# ADSP-21060/ADSP-21060L

Pin	Type	Function
$\overline{\text{SBTS}}$	I/S	<b>Suspend Bus Three-State.</b> External devices can assert $\overline{\text{SBTS}}$ (low) to place the external bus address, data, selects and strobes in a high impedance state for the following cycle. If the ADSP-2106x attempts to access external memory while $\overline{\text{SBTS}}$ is asserted, the processor will halt and the memory access will not be completed until $\overline{\text{SBTS}}$ is deasserted. $\overline{\text{SBTS}}$ should only be used to recover from host processor/ADSP-2106x deadlock, or used with a DRAM controller.
$\overline{\text{IRQ}}_{2-0}$	I/A	<b>Interrupt Request Lines.</b> May be either edge-triggered or level-sensitive.
$\text{FLAG}_{3-0}$	I/O/A	<b>Flag Pins.</b> Each is configured via control bits as either an input or output. As an input, it can be tested as a condition. As an output, it can be used to signal external peripherals.
TIMEXP	O	<b>Timer Expired.</b> Asserted for four cycles when the timer is enabled and TCOUNT decrements to zero.
$\overline{\text{HBR}}$	I/A	<b>Host Bus Request.</b> Must be asserted by a host processor to request control of the ADSP-2106x's external bus. When $\overline{\text{HBR}}$ is asserted in a multiprocessing system, the ADSP-2106x that is bus master will relinquish the bus and assert $\overline{\text{HBG}}$ . To relinquish the bus, the ADSP-2106x places the address, data, select and strobe lines in a high impedance state. $\overline{\text{HBR}}$ has priority over all ADSP-2106x bus requests ( $\overline{\text{BR}}_{6-1}$ ) in a multiprocessing system.
$\overline{\text{HBG}}$	I/O	<b>Host Bus Grant.</b> Acknowledges an $\overline{\text{HBR}}$ bus request, indicating that the host processor may take control of the external bus. $\overline{\text{HBG}}$ is asserted (held low) by the ADSP-2106x until $\overline{\text{HBR}}$ is released. In a multiprocessing system, $\overline{\text{HBG}}$ is output by the ADSP-2106x bus master and is monitored by all others.
$\overline{\text{CS}}$	I/A	<b>Chip Select.</b> Asserted by host processor to select the ADSP-2106x.
REDY (O/D)	O	<b>Host Bus Acknowledge.</b> The ADSP-2106x deasserts REDY (low) to add wait states to an asynchronous access of its internal memory or IOP registers by a host. Open drain output (O/D) by default; can be programmed in ADREDY bit of SYSCON register to be active drive (A/D). REDY will only be output if the $\overline{\text{CS}}$ and $\overline{\text{HBR}}$ inputs are asserted.
$\overline{\text{DMAR}}_1$	I/A	<b>DMA Request 1</b> (DMA Channel 7).
$\overline{\text{DMAR}}_2$	I/A	<b>DMA Request 2</b> (DMA Channel 8).
$\overline{\text{DMAG}}_1$	O/T	<b>DMA Grant 1</b> (DMA Channel 7).
$\overline{\text{DMAG}}_2$	O/T	<b>DMA Grant 2</b> (DMA Channel 8).
$\overline{\text{BR}}_{6-1}$	I/O/S	<b>Multiprocessing Bus Requests.</b> Used by multiprocessing ADSP-2106xs to arbitrate for bus master-ship. An ADSP-2106x only drives its own $\overline{\text{BR}}_x$ line (corresponding to the value of its $\text{ID}_{2-0}$ inputs) and monitors all others. In a multiprocessor system with less than six ADSP-2106xs, the unused $\overline{\text{BR}}_x$ pins should be pulled high; the processor's own $\overline{\text{BR}}_x$ line must not be pulled high or low because it is an output.
$\text{ID}_{2-0}$	I	<b>Multiprocessing ID.</b> Determines which multiprocessing bus request ( $\overline{\text{BR}}_1 - \overline{\text{BR}}_6$ ) is used by ADSP-2106x. ID = 001 corresponds to $\overline{\text{BR}}_1$ , ID = 010 corresponds to $\overline{\text{BR}}_2$ , etc. ID = 000 in single-processor systems. These lines are a system configuration selection which should be hardwired or only changed at reset.
RPBA	I/S	<b>Rotating Priority Bus Arbitration Select.</b> When RPBA is high, rotating priority for multiprocessor bus arbitration is selected. When RPBA is low, fixed priority is selected. This signal is a system configuration selection which must be set to the same value on every ADSP-2106x. If the value of RPBA is changed during system operation, it must be changed in the same CLKIN cycle on every ADSP-2106x.
$\overline{\text{CPA}}$ (O/D)	I/O	<b>Core Priority Access.</b> Asserting its $\overline{\text{CPA}}$ pin allows the core processor of an ADSP-2106x bus slave to interrupt background DMA transfers and gain access to the external bus. $\overline{\text{CPA}}$ is an open drain output that is connected to all ADSP-2106xs in the system. The $\overline{\text{CPA}}$ pin has an internal 5 k $\Omega$ pull-up resistor. If core access priority is not required in a system, the $\overline{\text{CPA}}$ pin should be left unconnected.
DTx	O	<b>Data Transmit</b> (Serial Ports 0, 1). Each DT pin has a 50 k $\Omega$ internal pull-up resistor.
DRx	I	<b>Data Receive</b> (Serial Ports 0, 1). Each DR pin has a 50 k $\Omega$ internal pull-up resistor.
TCLKx	I/O	<b>Transmit Clock</b> (Serial Ports 0, 1). Each TCLK pin has a 50 k $\Omega$ internal pull-up resistor.
RCLKx	I/O	<b>Receive Clock</b> (Serial Ports 0, 1). Each RCLK pin has a 50 k $\Omega$ internal pull-up resistor.

# ADSP-21060/ADSP-21060L

Pin	Type	Function																												
TFSx	I/O	<b>Transmit Frame Sync</b> (Serial Ports 0, 1).																												
RFSx	I/O	<b>Receive Frame Sync</b> (Serial Ports 0, 1).																												
LxDAT <sub>3-0</sub>	I/O	<b>Link Port Data</b> (Link Ports 0–5). Each LxCLK pin has a 50 kΩ internal pull-down resistor that is enabled or disabled by the LPDRD bit of the LCOM register.																												
LxCLK	I/O	<b>Link Port Clock</b> (Link Ports 0–5). Each LxCLK pin has a 50 kΩ internal pull-down resistor that is enabled or disabled by the LPDRD bit of the LCOM register.																												
LxACK	I/O	<b>Link Port Acknowledge</b> (Link Ports 0–5). Each LxACK pin has a 50 kΩ internal pull-down resistor that is enabled or disabled by the LPDRD bit of the LCOM register.																												
EBOOT	I	<b>EPROM Boot Select.</b> When EBOOT is high, the ADSP-2106x is configured for booting from an 8-bit EPROM. When EBOOT is low, the LBOOT and $\overline{BMS}$ inputs determine booting mode. See table below. This signal is a system configuration selection that should be hardwired.																												
LBOOT	I	<b>Link Boot.</b> When LBOOT is high, the ADSP-2106x is configured for link port booting. When LBOOT is low, the ADSP-2106x is configured for host processor booting or no booting. See table below. This signal is a system configuration selection that should be hardwired.																												
$\overline{BMS}$	I/O/T*	<p><b>Boot Memory Select.</b> <i>Output:</i> Used as chip select for boot EPROM devices (when EBOOT = 1, LBOOT = 0). In a multiprocessor system, <math>\overline{BMS}</math> is output by the bus master. <i>Input:</i> When low, indicates that no booting will occur and that ADSP-2106x will begin executing instructions from external memory. See table below. This input is a system configuration selection that should be hardwired.</p> <p>*Three-statable only in EPROM boot mode (when <math>\overline{BMS}</math> is an output).</p> <table border="1"> <thead> <tr> <th><i>EBOOT</i></th> <th><i>LBOOT</i></th> <th><math>\overline{BMS}</math></th> <th><i>Booting Mode</i></th> </tr> </thead> <tbody> <tr> <td>1</td> <td>0</td> <td>Output</td> <td>EPROM (Connect <math>\overline{BMS}</math> to EPROM chip select.)</td> </tr> <tr> <td>0</td> <td>0</td> <td>1 (Input)</td> <td>Host Processor</td> </tr> <tr> <td>0</td> <td>1</td> <td>1 (Input)</td> <td>Link Port</td> </tr> <tr> <td>0</td> <td>0</td> <td>0 (Input)</td> <td>No Booting. Processor executes from external memory.</td> </tr> <tr> <td>0</td> <td>1</td> <td>0 (Input)</td> <td>Reserved</td> </tr> <tr> <td>1</td> <td>1</td> <td>x (Input)</td> <td>Reserved</td> </tr> </tbody> </table>	<i>EBOOT</i>	<i>LBOOT</i>	$\overline{BMS}$	<i>Booting Mode</i>	1	0	Output	EPROM (Connect $\overline{BMS}$ to EPROM chip select.)	0	0	1 (Input)	Host Processor	0	1	1 (Input)	Link Port	0	0	0 (Input)	No Booting. Processor executes from external memory.	0	1	0 (Input)	Reserved	1	1	x (Input)	Reserved
<i>EBOOT</i>	<i>LBOOT</i>	$\overline{BMS}$	<i>Booting Mode</i>																											
1	0	Output	EPROM (Connect $\overline{BMS}$ to EPROM chip select.)																											
0	0	1 (Input)	Host Processor																											
0	1	1 (Input)	Link Port																											
0	0	0 (Input)	No Booting. Processor executes from external memory.																											
0	1	0 (Input)	Reserved																											
1	1	x (Input)	Reserved																											
CLKIN	I	<b>Clock In.</b> External clock input to the ADSP-2106x. The instruction cycle rate is equal to CLKIN. CLKIN may not be halted, changed, or operated below the minimum specified frequency.																												
$\overline{RESET}$	I/A	<b>Processor Reset.</b> Resets the ADSP-2106x to a known state and begins execution at the program memory location specified by the hardware reset vector address. This input must be asserted (low) at power-up.																												
TCK	I	<b>Test Clock (JTAG).</b> Provides an asynchronous clock for JTAG boundary scan.																												
TMS	I/S	<b>Test Mode Select (JTAG).</b> Used to control the test state machine. TMS has a 20 kΩ internal pull-up resistor.																												
TDI	I/S	<b>Test Data Input (JTAG).</b> Provides serial data for the boundary scan logic. TDI has a 20 kΩ internal pull-up resistor.																												
TDO	O	<b>Test Data Output (JTAG).</b> Serial scan output of the boundary scan path.																												
$\overline{TRST}$	I/A	<b>Test Reset (JTAG).</b> Resets the test state machine. $\overline{TRST}$ must be asserted (pulsed low) after power-up or held low for proper operation of the ADSP-2106x. $\overline{TRST}$ has a 20 kΩ internal pull-up resistor.																												
$\overline{EMU}$ (O/D)	O	<b>Emulation Status.</b> Must be connected to the ADSP-2106x EZ-ICE target board connector <i>only</i> .																												
ICSA	O	<b>Reserved,</b> leave unconnected.																												
VDD	P	<b>Power Supply;</b> nominally +5.0 V dc for 5 V devices or +3.3 V dc for 3.3 V devices. (30 pins).																												
GND	G	<b>Power Supply Return.</b> (30 pins).																												
NC		<b>Do Not Connect.</b> Reserved pins which must be left open and unconnected.																												

## TARGET BOARD CONNECTOR FOR EZ-ICE PROBE

The ADSP-2106x EZ-ICE Emulator uses the IEEE 1149.1 JTAG test access port of the ADSP-2106x to monitor and control the target board processor during emulation. The EZ-ICE probe requires the ADSP-2106x's CLKIN, TMS, TCK,  $\overline{\text{TRST}}$ , TDI, TDO,  $\overline{\text{EMU}}$ , and GND signals be made accessible on the target system via a 14-pin connector (a 2 row  $\times$  7 pin strip header) such as that shown in Figure 5. The EZ-ICE probe plugs directly onto this connector for chip-on-board emulation. You must add this connector to your target board design if you intend to use the ADSP-2106x EZ-ICE. The total trace length between the EZ-ICE connector and the furthest device sharing the EZ-ICE JTAG pins should be limited to 15 inches maximum for guaranteed operation. This length restriction must include EZ-ICE JTAG signals that are routed to one or more ADSP-2106x devices, or a combination of ADSP-2106x devices and other JTAG devices on the chain.

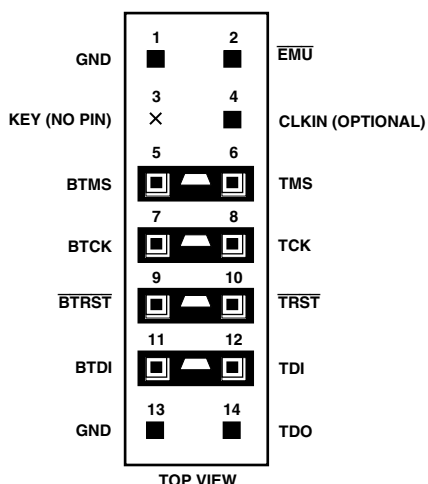


Figure 5. Target Board Connector For ADSP-2106x EZ-ICE Emulator (Jumpers in Place)

The 14-pin, 2-row pin strip header is keyed at the Pin 3 location — Pin 3 must be removed from the header. The pins must be 0.025 inch square and at least 0.20 inch in length. Pin spacing should be 0.1  $\times$  0.1 inches. Pin strip headers are available from vendors such as 3M, McKenzie and Samtec.

The BTMS, BTCK,  $\overline{\text{BTRST}}$  and BTDI signals are provided so the test access port can also be used for board-level testing. When the connector is not being used for emulation, place jumpers between the Bxxx pins and the xxx pins. If the test access port will not be used for board testing, tie  $\overline{\text{BTRST}}$  to GND and tie or pull BTCK up to VDD. The  $\overline{\text{TRST}}$  pin must be asserted after power-up (through  $\overline{\text{BTRST}}$  on the connector) or held low for proper operation of the ADSP-2106x. None of the Bxxx pins (Pins 5, 7, 9, 11) are connected on the EZ-ICE probe.

The JTAG signals are terminated on the EZ-ICE probe as follows:

Signal	Termination
TMS	Driven through 22 $\Omega$ Resistor (16 mA Driver)
TCK	Driven at 10 MHz through 22 $\Omega$ Resistor (16 mA Driver)
$\overline{\text{TRST}}^*$	Active Low Driven through 22 $\Omega$ Resistor (16 mA Driver) (Pulled Up by On-Chip 20 k $\Omega$ Resistor)
TDI	Driven by 22 $\Omega$ Resistor (16 mA Driver)
TDO	One TTL Load, Split Termination (160/220)
CLKIN	One TTL Load, Split Termination (160/220)
$\overline{\text{EMU}}$	Active Low 4.7 k $\Omega$ Pull-Up Resistor, One TTL Load (Open-Drain Output from the DSP)

\* $\overline{\text{TRST}}$  is driven low until the EZ-ICE probe is turned on by the emulator at software start-up. After software start-up,  $\overline{\text{TRST}}$  is driven high.

Figure 6 shows JTAG scan path connections for systems that contain multiple ADSP-2106x processors.

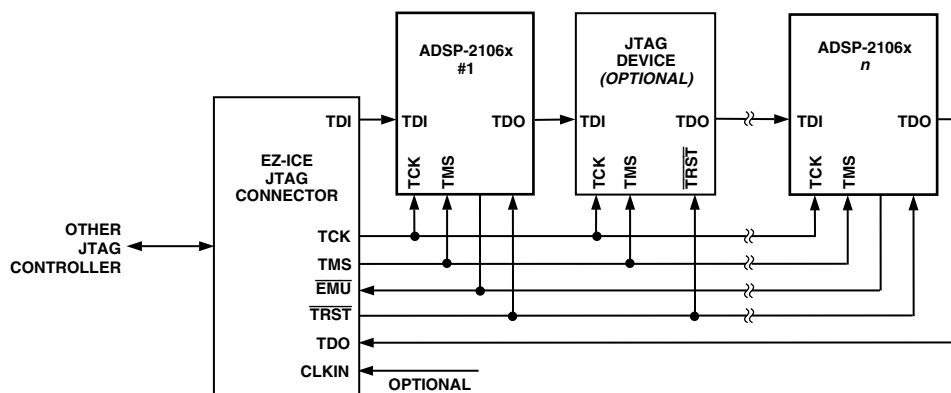


Figure 6. JTAG Scan Path Connections for Multiple ADSP-2106x Systems

# ADSP-21060/ADSP-21060L

Connecting CLKIN to Pin 4 of the EZ-ICE header is optional. The emulator only uses CLKIN when directed to perform operations such as starting, stopping and single-stepping multiple ADSP-21061 in a *synchronous* manner. If you do not need these operations to occur synchronously on the multiple processors, simply tie Pin 4 of the EZ-ICE header to ground.

If synchronous multiprocessor operations are needed and CLKIN is connected, clock skew between the multiple ADSP-21061/ADSP-21061L processors and the CLKIN pin on the EZ-ICE header *must be minimal*. If the skew is too large, synchronous operations may be off by one or more cycles between processors. For synchronous multiprocessor operation TCK,

TMS, CLKIN and  $\overline{\text{EMU}}$  should be treated as critical signals in terms of skew, and should be laid out as short as possible on your board. If TCK, TMS and CLKIN are driving a large number of ADSP-21061 (more than eight) in your system, then treat them as a clock tree using multiple drivers to minimize skew. (See Figure 7, JTAG Clock Tree, and Clock Distribution in the High Frequency Design Considerations section of the *ADSP-2106x User's Manual, Second Edition*.)

If synchronous multiprocessor operations are not needed (i.e., CLKIN is not connected), just use appropriate parallel termination on TCK and TMS. TDI, TDO,  $\overline{\text{EMU}}$  and  $\overline{\text{TRST}}$  are not critical signals in terms of skew.

For complete information on the SHARC EZ-ICE, see the *ADSP-2100 Family JTAG EZ-ICE User's Guide and Reference*.

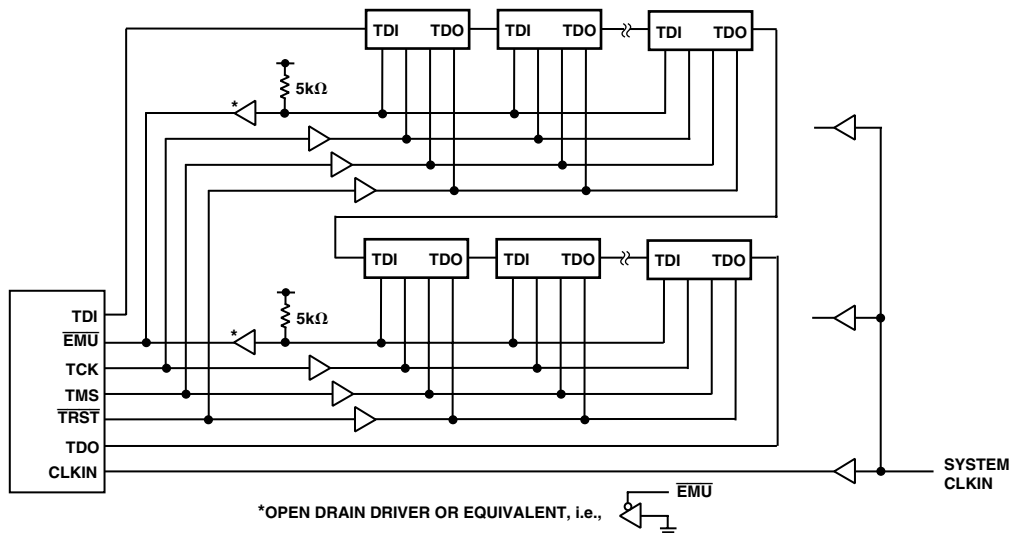


Figure 7. JTAG Clocktree for Multiple ADSP-2106x Systems

# ADSP-21060—SPECIFICATIONS

## RECOMMENDED OPERATING CONDITIONS (5 V)

Parameter	Test Conditions	K Grade		Units
		Min	Max	
V <sub>DD</sub>	Supply Voltage	4.75	5.25	V
T <sub>CASE</sub>	Case Operating Temperature	0	+85	°C
V <sub>IH1</sub>	High Level Input Voltage <sup>1</sup>	@ V <sub>DD</sub> = max	V <sub>DD</sub> + 0.5	V
V <sub>IH2</sub>	High Level Input Voltage <sup>2</sup>	@ V <sub>DD</sub> = max	V <sub>DD</sub> + 0.5	V
V <sub>IL</sub>	Low Level Input Voltage <sup>1, 2</sup>	@ V <sub>DD</sub> = min	0.8	V

## NOTES

<sup>1</sup>Applies to input and bidirectional pins: DATA<sub>47-0</sub>, ADDR<sub>31-0</sub>,  $\overline{\text{RD}}$ ,  $\overline{\text{WR}}$ ,  $\overline{\text{SW}}$ ,  $\overline{\text{ACK}}$ ,  $\overline{\text{SBTS}}$ ,  $\overline{\text{IRQ}}_{2-0}$ , FLAG<sub>3-0</sub>,  $\overline{\text{HBG}}$ ,  $\overline{\text{CS}}$ ,  $\overline{\text{DMAR1}}$ ,  $\overline{\text{DMAR2}}$ ,  $\overline{\text{BR}}_{6-1}$ , ID<sub>2-0</sub>, RPBA, CPA, TFS0, TFS1, RFS0, RFS1, LxDAT<sub>3-0</sub>, LxCLK, LxACK, EBOOT, LBOOT,  $\overline{\text{BMS}}$ , TMS, TDI, TCK,  $\overline{\text{HBR}}$ , DR0, DR1, TCLK0, TCLK1, RCLK0, RCLK1.  
<sup>2</sup>Applies to input pins: CLKIN, RESET, TRST.

## ELECTRICAL CHARACTERISTICS (5 V)

Parameter	Test Conditions	Min	Max	Units
V <sub>OH</sub>	High Level Output Voltage <sup>1</sup>	@ V <sub>DD</sub> = min, I <sub>OH</sub> = -2.0 mA <sup>2</sup>	4.1	V
V <sub>OL</sub>	Low Level Output Voltage <sup>1</sup>	@ V <sub>DD</sub> = min, I <sub>OL</sub> = 4.0 mA <sup>2</sup>	0.4	V
I <sub>IH</sub>	High Level Input Current <sup>3, 4</sup>	@ V <sub>DD</sub> = max, V <sub>IN</sub> = V <sub>DD</sub> max	10	μA
I <sub>IL</sub>	Low Level Input Current <sup>3</sup>	@ V <sub>DD</sub> = max, V <sub>IN</sub> = 0 V	10	μA
I <sub>ILP</sub>	Low Level Input Current <sup>4</sup>	@ V <sub>DD</sub> = max, V <sub>IN</sub> = 0 V	150	μA
I <sub>OZH</sub>	Three-State Leakage Current <sup>5, 6, 7, 8</sup>	@ V <sub>DD</sub> = max, V <sub>IN</sub> = V <sub>DD</sub> max	10	μA
I <sub>OZL</sub>	Three-State Leakage Current <sup>5, 9</sup>	@ V <sub>DD</sub> = max, V <sub>IN</sub> = 0 V	10	μA
I <sub>OZHP</sub>	Three-State Leakage Current <sup>9</sup>	@ V <sub>DD</sub> = max, V <sub>IN</sub> = V <sub>DD</sub> max	350	μA
I <sub>OZLC</sub>	Three-State Leakage Current <sup>7</sup>	@ V <sub>DD</sub> = max, V <sub>IN</sub> = 0 V	1.5	mA
I <sub>OZLA</sub>	Three-State Leakage Current <sup>10</sup>	@ V <sub>DD</sub> = max, V <sub>IN</sub> = 1.5 V	350	μA
I <sub>OZLAR</sub>	Three-State Leakage Current <sup>8</sup>	@ V <sub>DD</sub> = max, V <sub>IN</sub> = 0 V	4.2	mA
I <sub>OZLS</sub>	Three-State Leakage Current <sup>6</sup>	@ V <sub>DD</sub> = max, V <sub>IN</sub> = 0 V	150	μA
C <sub>IN</sub>	Input Capacitance <sup>11, 12</sup>	f <sub>IN</sub> = 1 MHz, T <sub>CASE</sub> = 25°C, V <sub>IN</sub> = 2.5 V	4.7	pF

## NOTES

<sup>1</sup>Applies to output and bidirectional pins: DATA<sub>47-0</sub>, ADDR<sub>31-0</sub>,  $\overline{\text{MS}}_{3-0}$ ,  $\overline{\text{RD}}$ ,  $\overline{\text{WR}}$ , PAGE, ADRCLK,  $\overline{\text{SW}}$ ,  $\overline{\text{ACK}}$ , FLAG<sub>3-0</sub>, TIMEXP,  $\overline{\text{HBG}}$ , REDY,  $\overline{\text{DMAG1}}$ ,  $\overline{\text{DMAG2}}$ ,  $\overline{\text{BR}}_{6-1}$ , CPA, DT0, DT1, TCLK0, TCLK1, RCLK0, RCLK1, TFS0, TFS1, RFS0, RFS1, LxDAT<sub>3-0</sub>, LxCLK, LxACK,  $\overline{\text{BMS}}$ , TDO,  $\overline{\text{EMU}}$ , ICSA.

<sup>2</sup>See "Output Drive Currents" for typical drive current capabilities.

<sup>3</sup>Applies to input pins:  $\overline{\text{SBTS}}$ ,  $\overline{\text{IRQ}}_{2-0}$ ,  $\overline{\text{HBR}}$ ,  $\overline{\text{CS}}$ ,  $\overline{\text{DMAR1}}$ ,  $\overline{\text{DMAR2}}$ , ID<sub>2-0</sub>, RPBA, EBOOT, LBOOT, CLKIN,  $\overline{\text{RESET}}$ , TCK.

<sup>4</sup>Applies to input pins with internal pull-ups: DR0, DR1, TRST, TMS, TDI.

<sup>5</sup>Applies to three-statable pins: DATA<sub>47-0</sub>, ADDR<sub>31-0</sub>,  $\overline{\text{MS}}_{3-0}$ ,  $\overline{\text{RD}}$ ,  $\overline{\text{WR}}$ , PAGE, ADRCLK,  $\overline{\text{SW}}$ ,  $\overline{\text{ACK}}$ , FLAG<sub>3-0</sub>, REDY,  $\overline{\text{HBG}}$ ,  $\overline{\text{DMAG1}}$ ,  $\overline{\text{DMAG2}}$ ,  $\overline{\text{BMS}}$ ,  $\overline{\text{BR}}_{6-1}$ , TFS<sub>X</sub>, RFS<sub>X</sub>, TDO,  $\overline{\text{EMU}}$ . (Note that ACK is pulled up internally with 2 kΩ during reset in a multiprocessor system, when ID<sub>2-0</sub> = 001 and another ADSP-21060 is not requesting bus mastership.)

<sup>6</sup>Applies to three-statable pins with internal pull-ups: DT0, DT1, TCLK0, TCLK1, RCLK0, RCLK1.

<sup>7</sup>Applies to CPA pin.

<sup>8</sup>Applies to ACK pin when pulled up. (Note that ACK is pulled up internally with 2 kΩ during reset in a multiprocessor system, when ID<sub>2-0</sub> = 001 and another ADSP-21060 is not requesting bus mastership).

<sup>9</sup>Applies to three-statable pins with internal pull-downs: LxDAT<sub>3-0</sub>, LxCLK, LxACK.

<sup>10</sup>Applies to ACK pin when keeper latch enabled.

<sup>11</sup>Applies to all signal pins.

<sup>12</sup>Guaranteed but not tested.

Specifications subject to change without notice.

# ADSP-21060/ADSP-21060L

## POWER DISSIPATION ADSP-21060 (5 V)

These specifications apply to the internal power portion of  $V_{DD}$  only. See the Power Dissipation section of this data sheet for calculation of external supply current and total supply current. For a complete discussion of the code used to measure power dissipation, see the technical note “SHARC Power Dissipation Measurements.”

Specifications are based on the following operating scenarios:

Operation	Peak Activity ( $I_{DDINPEAK}$ )	High Activity ( $I_{DDINHIGH}$ )	Low Activity ( $I_{DDINLOW}$ )
Instruction Type	Multifunction	Multifunction	Single Function
Instruction Fetch	Cache	Internal Memory	Internal Memory
Core Memory Access	2 per Cycle (DM and PM)	1 per Cycle (DM)	None
Internal Memory DMA	1 per Cycle	1 per 2 Cycles	1 per 2 Cycles

To estimate power consumption for a specific application, use the following equation where % is the amount of time your program spends in that state:

$$\%PEAK \times I_{DDINPEAK} + \%HIGH \times I_{DDINHIGH} + \%LOW \times I_{DDINLOW} + \%IDLE \times I_{DDIDLE} = \text{power consumption}$$

Parameter	Test Conditions	Max	Units
$I_{DDINPEAK}$ Supply Current (Internal) <sup>1</sup>	$t_{CK} = 30 \text{ ns}, V_{DD} = \text{max}$	745	mA
	$t_{CK} = 25 \text{ ns}, V_{DD} = \text{max}$	850	mA
$I_{DDINHIGH}$ Supply Current (Internal) <sup>2</sup>	$t_{CK} = 30 \text{ ns}, V_{DD} = \text{max}$	575	mA
	$t_{CK} = 25 \text{ ns}, V_{DD} = \text{max}$	670	mA
$I_{DDINLOW}$ Supply Current (Internal) <sup>2</sup>	$t_{CK} = 30 \text{ ns}, V_{DD} = \text{max}$	340	mA
	$t_{CK} = 25 \text{ ns}, V_{DD} = \text{max}$	390	mA
$I_{DDIDLE}$ Supply Current (Idle) <sup>3</sup>	$V_{DD} = \text{max}$	200	mA

### NOTES

<sup>1</sup>The test program used to measure  $I_{DDINPEAK}$  represents worst case processor operation and is not sustainable under normal application conditions. Actual internal power measurements made using typical applications are less than specified.

<sup>2</sup> $I_{DDINHIGH}$  is a composite average based on a range of high activity code.  $I_{DDINLOW}$  is a composite average based on a range of low activity code.

<sup>3</sup>Idle denotes ADSP-21060L state during execution of IDLE instruction.

# ADSP-21060L—SPECIFICATIONS

## RECOMMENDED OPERATING CONDITIONS (3.3 V)

Parameter	Test Conditions	K Grade		Units
		Min	Max	
V <sub>DD</sub>	Supply Voltage	3.15	3.45	V
T <sub>CASE</sub>	Case Operating Temperature	0	+85	°C
V <sub>IH1</sub>	High Level Input Voltage <sup>1</sup>	@ V <sub>DD</sub> = max	V <sub>DD</sub> + 0.5	V
V <sub>IH2</sub>	High Level Input Voltage <sup>2</sup>	@ V <sub>DD</sub> = max	V <sub>DD</sub> + 0.5	V
V <sub>IL</sub>	Low Level Input Voltage <sup>1, 2</sup>	@ V <sub>DD</sub> = min	0.8	V

## NOTES

<sup>1</sup>Applies to input and bidirectional pins: DATA<sub>47-0</sub>, ADDR<sub>31-0</sub>,  $\overline{RD}$ ,  $\overline{WR}$ ,  $\overline{SW}$ ,  $\overline{ACK}$ ,  $\overline{SBTS}$ ,  $\overline{IRQ}_{2-0}$ , FLAG<sub>3-0</sub>,  $\overline{HBB}$ ,  $\overline{CS}$ ,  $\overline{DMAR1}$ ,  $\overline{DMAR2}$ ,  $\overline{BR}_{6-1}$ , ID<sub>2-0</sub>, RPBA, CPA, TFS0, TFS1, RFS0, RFS1, LxDAT<sub>3-0</sub>, LxCLK, LxACK, EBOOT, LBOOT,  $\overline{BMS}$ , TMS, TDI, TCK,  $\overline{HBR}$ , DR0, DR1, TCLK0, TCLK1, RCLK0, RCLK1.

<sup>2</sup>Applies to input pins: CLKIN,  $\overline{RESET}$ ,  $\overline{TRST}$ .

## ELECTRICAL CHARACTERISTICS (3.3 V)

Parameter	Test Conditions	Min	Max	Units
V <sub>OH</sub>	High Level Output Voltage <sup>1</sup>	@ V <sub>DD</sub> = min, I <sub>OH</sub> = -2.0 mA <sup>2</sup>	2.4	V
V <sub>OL</sub>	Low Level Output Voltage <sup>1</sup>	@ V <sub>DD</sub> = min, I <sub>OL</sub> = 4.0 mA <sup>2</sup>	0.4	V
I <sub>IH</sub>	High Level Input Current <sup>3, 4</sup>	@ V <sub>DD</sub> = max, V <sub>IN</sub> = V <sub>DD</sub> max	10	μA
I <sub>IL</sub>	Low Level Input Current <sup>3</sup>	@ V <sub>DD</sub> = max, V <sub>IN</sub> = 0 V	10	μA
I <sub>ILP</sub>	Low Level Input Current <sup>4</sup>	@ V <sub>DD</sub> = max, V <sub>IN</sub> = 0 V	150	μA
I <sub>OZH</sub>	Three-State Leakage Current <sup>5, 6, 7, 8</sup>	@ V <sub>DD</sub> = max, V <sub>IN</sub> = V <sub>DD</sub> max	10	μA
I <sub>OZL</sub>	Three-State Leakage Current <sup>5, 9</sup>	@ V <sub>DD</sub> = max, V <sub>IN</sub> = 0 V	10	μA
I <sub>OZHP</sub>	Three-State Leakage Current <sup>9</sup>	@ V <sub>DD</sub> = max, V <sub>IN</sub> = V <sub>DD</sub> max	350	μA
I <sub>OZLC</sub>	Three-State Leakage Current <sup>7</sup>	@ V <sub>DD</sub> = max, V <sub>IN</sub> = 0 V	1.5	mA
I <sub>OZLA</sub>	Three-State Leakage Current <sup>10</sup>	@ V <sub>DD</sub> = max, V <sub>IN</sub> = 1.5 V	350	μA
I <sub>OZLAR</sub>	Three-State Leakage Current <sup>8</sup>	@ V <sub>DD</sub> = max, V <sub>IN</sub> = 0 V	4.2	mA
I <sub>OZLS</sub>	Three-State Leakage Current <sup>6</sup>	@ V <sub>DD</sub> = max, V <sub>IN</sub> = 0 V	150	μA
C <sub>IN</sub>	Input Capacitance <sup>11, 12</sup>	f <sub>IN</sub> = 1 MHz, T <sub>CASE</sub> = 25°C, V <sub>IN</sub> = 2.5 V	4.7	pF

## NOTES

<sup>1</sup>Applies to output and bidirectional pins: DATA<sub>47-0</sub>, ADDR<sub>31-0</sub>,  $\overline{MS}_{3-0}$ ,  $\overline{RD}$ ,  $\overline{WR}$ , PAGE, ADRCLK,  $\overline{SW}$ ,  $\overline{ACK}$ , FLAG<sub>3-0</sub>, TIMEXP,  $\overline{HBB}$ , REDY,  $\overline{DMAG1}$ ,  $\overline{DMAG2}$ ,  $\overline{BR}_{6-1}$ , CPA, DT0, DT1, TCLK0, TCLK1, RCLK0, RCLK1, TFS0, TFS1, RFS0, RFS1, LxDAT<sub>3-0</sub>, LxCLK, LxACK,  $\overline{BMS}$ , TDO,  $\overline{EMU}$ , ICSA.

<sup>2</sup>See "Output Drive Currents" for typical drive current capabilities.

<sup>3</sup>Applies to input pins:  $\overline{SBTS}$ ,  $\overline{IRQ}_{2-0}$ ,  $\overline{HBR}$ ,  $\overline{CS}$ ,  $\overline{DMAR1}$ ,  $\overline{DMAR2}$ , ID<sub>2-0</sub>, RPBA, EBOOT, LBOOT, CLKIN,  $\overline{RESET}$ , TCK.

<sup>4</sup>Applies to input pins with internal pull-ups: DR0, DR1,  $\overline{TRST}$ , TMS, TDI.

<sup>5</sup>Applies to three-statable pins: DATA<sub>47-0</sub>, ADDR<sub>31-0</sub>,  $\overline{MS}_{3-0}$ ,  $\overline{RD}$ ,  $\overline{WR}$ , PAGE, ADRCLK,  $\overline{SW}$ ,  $\overline{ACK}$ , FLAG<sub>3-0</sub>, REDY,  $\overline{HBB}$ ,  $\overline{DMAG1}$ ,  $\overline{DMAG2}$ ,  $\overline{BMS}$ ,  $\overline{BR}_{6-1}$ , TFS<sub>x</sub>, RFS<sub>x</sub>, TDO,  $\overline{EMU}$ . (Note that  $\overline{ACK}$  is pulled up internally with 2 kΩ during reset in a multiprocessor system, when ID<sub>2-0</sub> = 001 and another ADSP-21060 is not requesting bus mastership.)

<sup>6</sup>Applies to three-statable pins with internal pull-ups: DT0, DT1, TCLK0, TCLK1, RCLK0, RCLK1.

<sup>7</sup>Applies to CPA pin.

<sup>8</sup>Applies to  $\overline{ACK}$  pin when pulled up. (Note that  $\overline{ACK}$  is pulled up internally with 2 kΩ during reset in a multiprocessor system, when ID<sub>2-0</sub> = 001 and another ADSP-21060 is not requesting bus mastership.)

<sup>9</sup>Applies to three-statable pins with internal pull-downs: LxDAT<sub>3-0</sub>, LxCLK, LxACK.

<sup>10</sup>Applies to  $\overline{ACK}$  pin when keeper latch enabled.

<sup>11</sup>Applies to all signal pins.

<sup>12</sup>Guaranteed but not tested.

Specifications subject to change without notice.

# ADSP-21060/ADSP-21060L

## POWER DISSIPATION ADSP-21060L (3.3 V)

These specifications apply to the internal power portion of  $V_{DD}$  only. See the Power Dissipation section of this data sheet for calculation of external supply current and total supply current. For a complete discussion of the code used to measure power dissipation, see the technical note “SHARC Power Dissipation Measurements.”

Specifications are based on the following operating scenarios:

Operation	Peak Activity ( $I_{DDINPEAK}$ )	High Activity ( $I_{DDINHIGH}$ )	Low Activity ( $I_{DDINLOW}$ )
Instruction Type	Multifunction	Multifunction	Single Function
Instruction Fetch	Cache	Internal Memory	Internal Memory
Core Memory Access	2 per Cycle (DM and PM)	1 per Cycle (DM)	None
Internal Memory DMA	1 per Cycle	1 per 2 Cycles	1 per 2 Cycles

To estimate power consumption for a specific application, use the following equation where % is the amount of time your program spends in that state:

$$\%PEAK \times I_{DDINPEAK} + \%HIGH \times I_{DDINHIGH} + \%LOW \times I_{DDINLOW} + \%IDLE \times I_{DDIDLE} = \text{power consumption}$$

Parameter	Test Conditions	Max	Units
$I_{DDINPEAK}$	Supply Current (Internal) <sup>1</sup>	540	mA
	$t_{CK} = 30 \text{ ns}, V_{DD} = \text{max}$	600	mA
	$t_{CK} = 25 \text{ ns}, V_{DD} = \text{max}$	425	mA
$I_{DDINHIGH}$	Supply Current (Internal) <sup>2</sup>	475	mA
	$t_{CK} = 30 \text{ ns}, V_{DD} = \text{max}$	250	mA
$I_{DDINLOW}$	Supply Current (Internal) <sup>2</sup>	275	mA
	$t_{CK} = 25 \text{ ns}, V_{DD} = \text{max}$	180	mA
$I_{DDIDLE}$	Supply Current (Idle) <sup>3</sup>		
	$V_{DD} = \text{max}$		

### NOTES

<sup>1</sup>The test program used to measure  $I_{DDINPEAK}$  represents worst case processor operation and is not sustainable under normal application conditions. Actual internal power measurements made using typical applications are less than specified.

<sup>2</sup> $I_{DDINHIGH}$  is a composite average based on a range of high activity code.  $I_{DDINLOW}$  is a composite average based on a range of low activity code.

<sup>3</sup>Idle denotes ADSP-21060L state during execution of IDLE instruction.

## ABSOLUTE MAXIMUM RATINGS (5 V)\*

Supply Voltage	−0.3 V to +7 V
Input Voltage	−0.5 V to $V_{DD} + 0.5$ V
Output Voltage Swing	−0.5 V to $V_{DD} + 0.5$ V
Load Capacitance	200 pF
Junction Temperature Under Bias	130°C
Storage Temperature Range	−65°C to +150°C
Lead Temperature (5 seconds)	+280°C

\*Stresses greater than those listed above may cause permanent damage to the device. These are stress ratings only, and functional operation of the device at these or any other conditions greater than those indicated in the operational sections of this specification is not implied. Exposure to absolute maximum rating conditions for extended periods may affect device reliability.

## ABSOLUTE MAXIMUM RATINGS (3.3 V)\*

Supply Voltage	−0.3 V to +4.6 V
Input Voltage	−0.5 V to $V_{DD} + 0.5$ V
Output Voltage Swing	−0.5 V to $V_{DD} + 0.5$ V
Load Capacitance	200 pF
Junction Temperature Under Bias	130°C
Storage Temperature Range	−65°C to +150°C
Lead Temperature (5 seconds)	+280°C

\*Stresses greater than those listed above may cause permanent damage to the device. These are stress ratings only, and functional operation of the device at these or any other conditions greater than those indicated in the operational sections of this specification is not implied. Exposure to absolute maximum rating conditions for extended periods may affect device reliability.

## ESD SENSITIVITY

ESD (electrostatic discharge) sensitive device. Electrostatic charges as high as 4000 V readily accumulate on the human body and test equipment and can discharge without detection. Although the ADSP-2106x features proprietary ESD protection circuitry, permanent damage may occur on devices subjected to high-energy electrostatic discharges. Therefore, proper ESD precautions are recommended to avoid performance degradation or loss of functionality.



## TIMING SPECIFICATIONS

Two speed grades of the ADSP-21060 are offered, 40 MHz and 33.3 MHz. The specifications shown are based on a CLKIN frequency of 40 MHz ( $t_{CK} = 25$  ns). The DT derating allows specifications at other CLKIN frequencies (within the min–max range of the  $t_{CK}$  specification; see Clock Input below). DT is the difference between the actual CLKIN period and a CLKIN period of 25 ns:

$$DT = t_{CK} - 25 \text{ ns}$$

Use the exact timing information given. Do not attempt to derive parameters from the addition or subtraction of others. While addition or subtraction would yield meaningful results for an individual device, the values given in this data sheet reflect statistical variations and worst cases. Consequently, you cannot meaningfully add parameters to derive longer times.

See Figure 28 under Test Conditions for voltage reference levels.

*Switching Characteristics* specify how the processor changes its signals. You have no control over this timing—circuitry external to the processor must be designed for compatibility with these signal characteristics. Switching characteristics tell you what the processor will do in a given circumstance. You can also use switching characteristics to ensure that any timing requirement of a device connected to the processor (such as memory) is satisfied.

*Timing Requirements* apply to signals that are controlled by circuitry external to the processor, such as the data input for a read operation. Timing requirements guarantee that the processor operates correctly with other devices.

(O/D) = Open Drain

(A/D) = Active Drive

# ADSP-21060/ADSP-21060L

Parameter	ADSP-21060				ADSP-21060L				Units	
	40 MHz		33 MHz		40 MHz		33 MHz			
	Min	Max	Min	Max	Min	Max	Min	Max		
<b>Clock Input</b>										
<i>Timing Requirements:</i>										
$t_{CK}$	CLKIN Period	25	100	30	100	25	100	30	100	ns
$t_{CKL}$	CLKIN Width Low	7		7		8.75		8.75		ns
$t_{CKH}$	CLKIN Width High	5		5		5		5		ns
$t_{CKRF}$	CLKIN Rise/Fall (0.4 V–2.0 V)		3		3		3		3	ns

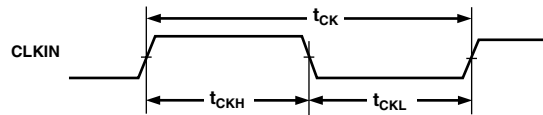


Figure 8. Clock Input

Parameter	ADSP-21060		ADSP-21060L		Units		
	Min	Max	Min	Max			
<b>Reset</b>							
<i>Timing Requirements:</i>							
$t_{WRST}$	$\overline{\text{RESET}}$ Pulsewidth Low <sup>1</sup>		$4t_{CK}$		$4t_{CK}$	ns	
$t_{SRST}$	$\overline{\text{RESET}}$ Setup before CLKIN High <sup>2</sup>		$14 + DT/2$	$t_{CK}$	$14 + DT/2$	$t_{CK}$	ns

**NOTES**

<sup>1</sup>Applies after the power-up sequence is complete. At power-up, the processor's internal phase-locked loop requires no more than 2000 CLKIN cycles while RESET is low, assuming stable  $V_{DD}$  and CLKIN (not including start-up time of external clock oscillator).

<sup>2</sup>Only required if multiple ADSP-2106xs must come out of reset synchronous to CLKIN with program counters (PC) equal (i.e., for a SIMD system). Not required for multiple ADSP-2106xs communicating over the shared bus (through the external port), because the bus arbitration logic synchronizes itself automatically after reset.

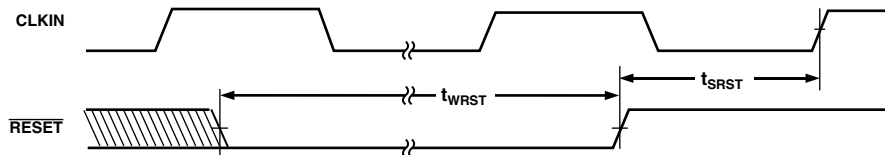


Figure 9. Reset

Parameter	ADSP-21060		ADSP-21060L		Units	
	Min	Max	Min	Max		
<b>Interrupts</b>						
<i>Timing Requirements:</i>						
$t_{SIR}$	$\overline{\text{IRQ2-0}}$ Setup before CLKIN High <sup>1</sup>		$18 + 3DT/4$		$18 + 3DT/4$	ns
$t_{HIR}$	$\overline{\text{IRQ2-0}}$ Hold before CLKIN High <sup>1</sup>			$12 + 3DT/4$	$12 + 3DT/4$	ns
$t_{IPW}$	$\overline{\text{IRQ2-0}}$ Pulsewidth <sup>2</sup>		$2 + t_{CK}$		$2 + t_{CK}$	ns

**NOTES**

<sup>1</sup>Only required for  $\overline{\text{IRQx}}$  recognition in the following cycle.

<sup>2</sup>Applies only if  $t_{SIR}$  and  $t_{HIR}$  requirements are not met.

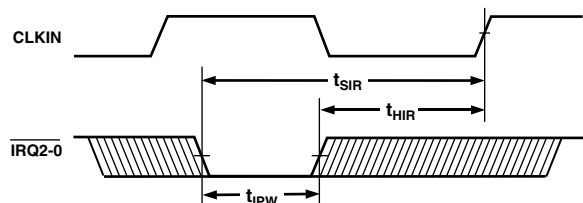


Figure 10. Interrupts

# ADSP-21060/ADSP-21060L

Parameter	ADSP-21060		ADSP-21060L		Units
	Min	Max	Min	Max	
<b>Timer</b>					
<i>Switching Characteristic:</i>					
$t_{DTEX}$ CLKIN High to TIMEEXP		15		15	ns

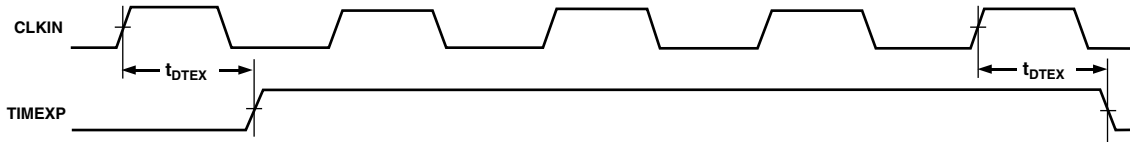


Figure 11. Timer

Parameter	ADSP-21060		ADSP-21060L		Units
	Min	Max	Min	Max	
<b>Flags</b>					
<i>Timing Requirements:</i>					
$t_{SFI}$ FLAG3-0 <sub>IN</sub> Setup before CLKIN High <sup>1</sup>		$8 + 5DT/16$		$8 + 5DT/16$	ns
$t_{HFI}$ FLAG3-0 <sub>IN</sub> Hold after CLKIN High <sup>1</sup>		$0 - 5DT/16$		$0 - 5DT/16$	ns
$t_{DWRFI}$ FLAG3-0 <sub>IN</sub> Delay after $\overline{RD}/\overline{WR}$ Low <sup>1</sup>		$5 + 7DT/16$		$5 + 7DT/16$	ns
$t_{HFIWR}$ FLAG3-0 <sub>IN</sub> Hold after $\overline{RD}/\overline{WR}$ Deasserted <sup>1</sup>		0		0	ns
<i>Switching Characteristics:</i>					
$t_{DFO}$ FLAG3-0 <sub>OUT</sub> Delay after CLKIN High		16		16	ns
$t_{HFO}$ FLAG3-0 <sub>OUT</sub> Hold after CLKIN High		4		4	ns
$t_{DFOE}$ CLKIN High to FLAG3-0 <sub>OUT</sub> Enable		3		3	ns
$t_{DFOD}$ CLKIN High to FLAG3-0 <sub>OUT</sub> Disable		14		14	ns

**NOTE**

<sup>1</sup>Flag inputs meeting these setup and hold times will affect conditional instructions in the following instruction cycle.

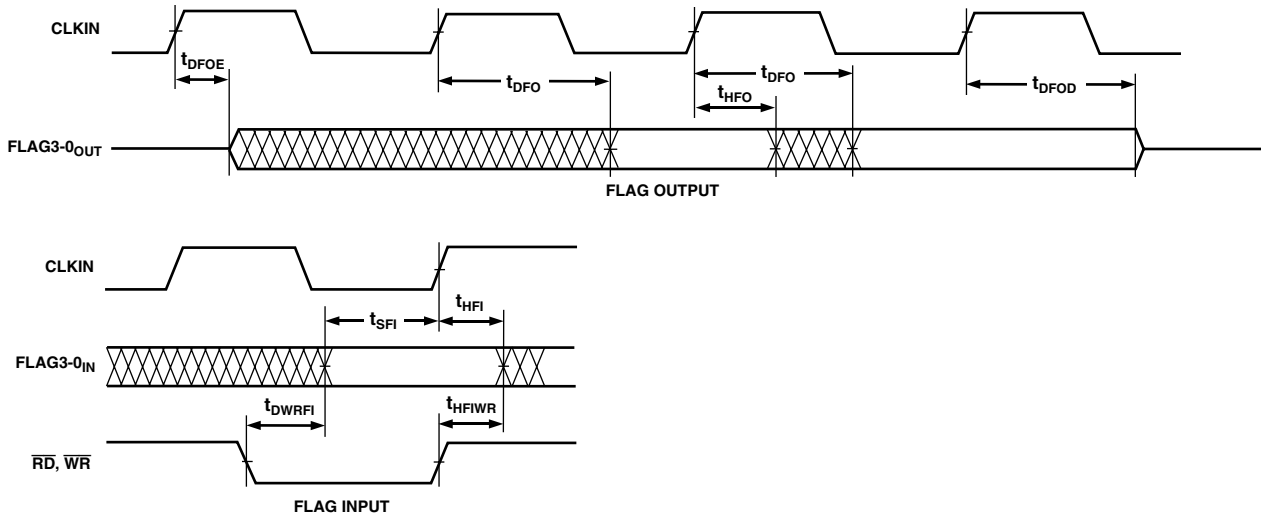


Figure 12. Flags

# ADSP-21060/ADSP-21060L

## Memory Read—Bus Master

Use these specifications for asynchronous interfacing to memories (and memory-mapped peripherals) without reference to CLKIN. These specifications apply when the ADSP-2106x is the bus master accessing external memory space. These switching

characteristics also apply for bus master synchronous read/write timing (see Synchronous Read/Write – Bus Master below). If these timing requirements are met, the synchronous read/write timing can be ignored (and vice versa).

Parameter	ADSP-21060		ADSP-21060L		Units
	Min	Max	Min	Max	
<i>Timing Requirements:</i>					
$t_{DAD}$ Address, Selects Delay to Data Valid <sup>1, 2</sup>		$18 + DT + W$		$18 + DT + W$	ns
$t_{DRLD}$ $\overline{RD}$ Low to Data Valid <sup>1</sup>		$12 + 5DT/8 + W$		$12 + 5DT/8 + W$	ns
$t_{HDA}$ Data Hold from Address, Selects <sup>3</sup>	0.5		0.5		ns
$t_{HDRH}$ Data Hold from $\overline{RD}$ High <sup>3</sup>	2.0		2.0		ns
$t_{DAAK}$ ACK Delay from Address, Selects <sup>2, 4</sup>		$14 + 7DT/8 + W$		$14 + 7DT/8 + W$	ns
$t_{DSAK}$ ACK Delay from $\overline{RD}$ Low <sup>4</sup>		$8 + DT/2 + W$		$8 + DT/2 + W$	ns
<i>Switching Characteristics:</i>					
$t_{DRHA}$ Address, Selects Hold after $\overline{RD}$ High	$0 + H$		$0 + H$		ns
$t_{DARL}$ Address, Selects to $\overline{RD}$ Low <sup>2</sup>	$2 + 3DT/8$		$2 + 3DT/8$		ns
$t_{RW}$ $\overline{RD}$ Pulswidth	$12.5 + 5DT/8 + W$		$12.5 + 5DT/8 + W$		ns
$t_{RWR}$ $\overline{RD}$ High to $\overline{WR}$ , $\overline{RD}$ , $\overline{DMAGx}$ Low	$8 + 3DT/8 + HI$		$8 + 3DT/8 + HI$		ns
$t_{SADADC}$ Address, Selects Setup before ADRCLK High <sup>2</sup>	$0 + DT/4$		$0 + DT/4$		ns

$W$  = (number of wait states specified in WAIT register)  $\times t_{CK}$ .

$HI$  =  $t_{CK}$  (if an address hold cycle or bus idle cycle occurs, as specified in WAIT register; otherwise  $HI = 0$ ).

$H$  =  $t_{CK}$  (if an address hold cycle occurs as specified in WAIT register; otherwise  $H = 0$ ).

### NOTES

<sup>1</sup>Data Delay/Setup: User must meet  $t_{DAD}$  or  $t_{DRLD}$  or synchronous spec  $t_{SSDATI}$ .

<sup>2</sup>The falling edge of  $\overline{MSx}$ ,  $\overline{SW}$ ,  $\overline{BMS}$  is referenced.

<sup>3</sup>Data Hold: User must meet  $t_{HDA}$  or  $t_{HDRH}$  or synchronous spec  $t_{HSDATI}$ . See *System Hold Time Calculation* under Test Conditions for the calculation of hold times given capacitive and dc loads.

<sup>4</sup>ACK Delay/Setup: User must meet  $t_{DAAK}$  or  $t_{DSAK}$  or synchronous specification  $t_{SACKC}$  for deassertion of ACK (Low), all three specifications must be met for assertion of ACK (High).

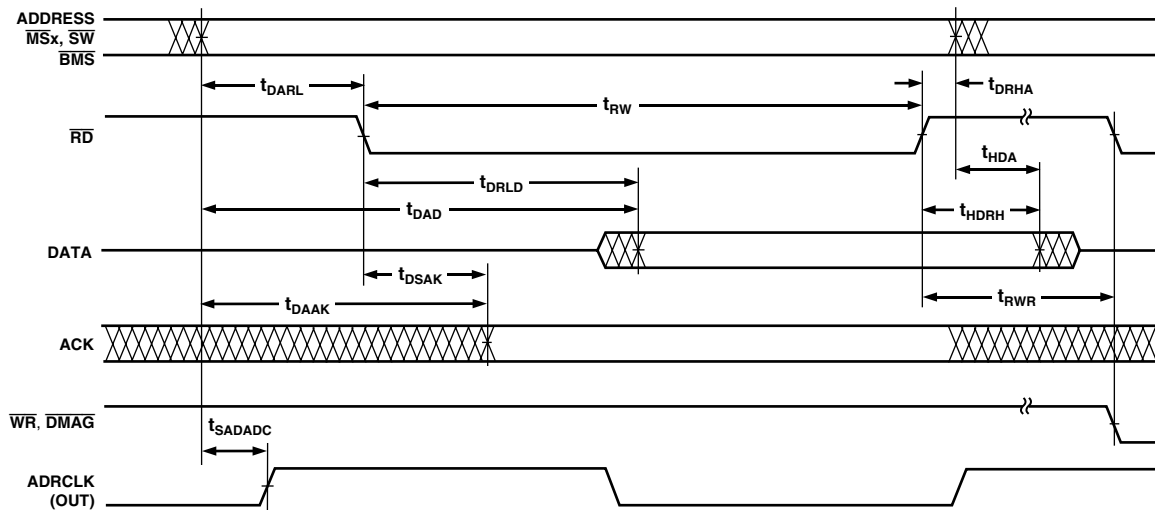


Figure 13. Memory Read—Bus Master

## Memory Write—Bus Master

Use these specifications for asynchronous interfacing to memories (and memory-mapped peripherals) without reference to CLKIN. These specifications apply when the ADSP-2106x is the bus master accessing external memory space. These switching

characteristics also apply for bus master synchronous read/write timing (see Synchronous Read/Write—Bus Master). If these timing requirements are met, the synchronous read/write timing can be ignored (and vice versa).

Parameter	ADSP-21060		ADSP-21060L		Units
	Min	Max	Min	Max	
<i>Timing Requirements:</i>					
$t_{\text{DAAK}}$ ACK Delay from Address, Selects <sup>1,2</sup>		$14 + 7\text{DT}/8 + \text{W}$		$14 + 7\text{DT}/8 + \text{W}$	ns
$t_{\text{DSAK}}$ ACK Delay from $\overline{\text{WR}}$ Low <sup>1</sup>		$8 + \text{DT}/2 + \text{W}$		$8 + \text{DT}/2 + \text{W}$	ns
<i>Switching Characteristics:</i>					
$t_{\text{DAWH}}$ Address, Selects to $\overline{\text{WR}}$ Deasserted <sup>2</sup>	$17 + 15\text{DT}/16 + \text{W}$		$17 + 15\text{DT}/16 + \text{W}$		ns
$t_{\text{DAWL}}$ Address, Selects to $\overline{\text{WR}}$ Low <sup>2</sup>	$3 + 3\text{DT}/8$		$3 + 3\text{DT}/8$		ns
$t_{\text{WW}}$ $\overline{\text{WR}}$ Pulsewidth	$12 + 9\text{DT}/16 + \text{W}$		$12 + 9\text{DT}/16 + \text{W}$		ns
$t_{\text{DDWH}}$ Data Setup before $\overline{\text{WR}}$ High	$7 + \text{DT}/2 + \text{W}$		$7 + \text{DT}/2 + \text{W}$		ns
$t_{\text{DWHa}}$ Address Hold after $\overline{\text{WR}}$ Deasserted	$0.5 + \text{DT}/16 + \text{H}$		$0.5 + \text{DT}/16 + \text{H}$		ns
$t_{\text{DATRWH}}$ Data Disable after $\overline{\text{WR}}$ Deasserted <sup>3</sup>	$1 + \text{DT}/16 + \text{H}$	$6 + \text{DT}/16 + \text{H}$	$1 + \text{DT}/16 + \text{H}$	$6 + \text{DT}/16 + \text{H}$	ns
$t_{\text{WWR}}$ $\overline{\text{WR}}$ High to $\overline{\text{WR}}$ , $\overline{\text{RD}}$ , $\overline{\text{DMAGx}}$ Low	$8 + 7\text{DT}/16 + \text{H}$		$8 + 7\text{DT}/16 + \text{H}$		ns
$t_{\text{DDWR}}$ Data Disable before $\overline{\text{WR}}$ or $\overline{\text{RD}}$ Low	$5 + 3\text{DT}/8 + \text{I}$		$5 + 3\text{DT}/8 + \text{I}$		ns
$t_{\text{WDE}}$ $\overline{\text{WR}}$ Low to Data Enabled	$-1 + \text{DT}/16$		$-1 + \text{DT}/16$		ns
$t_{\text{SADADC}}$ Address, Selects to ADRCLK High <sup>2</sup>	$0 + \text{DT}/4$		$0 + \text{DT}/4$		ns

W = (number of wait states specified in WAIT register) ×  $t_{\text{CK}}$ .

H =  $t_{\text{CK}}$  (if an address hold cycle occurs, as specified in WAIT register; otherwise H = 0).

I =  $t_{\text{CK}}$  (if a bus idle cycle occurs, as specified in WAIT register; otherwise I = 0).

### NOTES

<sup>1</sup>ACK Delay/Setup: User must meet  $t_{\text{DAAK}}$  or  $t_{\text{DSAK}}$  or synchronous specification  $t_{\text{SACKC}}$  for deassertion of ACK (Low), all three specifications must be met for assertion of ACK (High).

<sup>2</sup>The falling edge of  $\overline{\text{MSx}}$ ,  $\overline{\text{SW}}$ ,  $\overline{\text{BMS}}$  is referenced.

<sup>3</sup>See *System Hold Time Calculation* under Test Conditions for calculation of hold times given capacitive and dc loads.

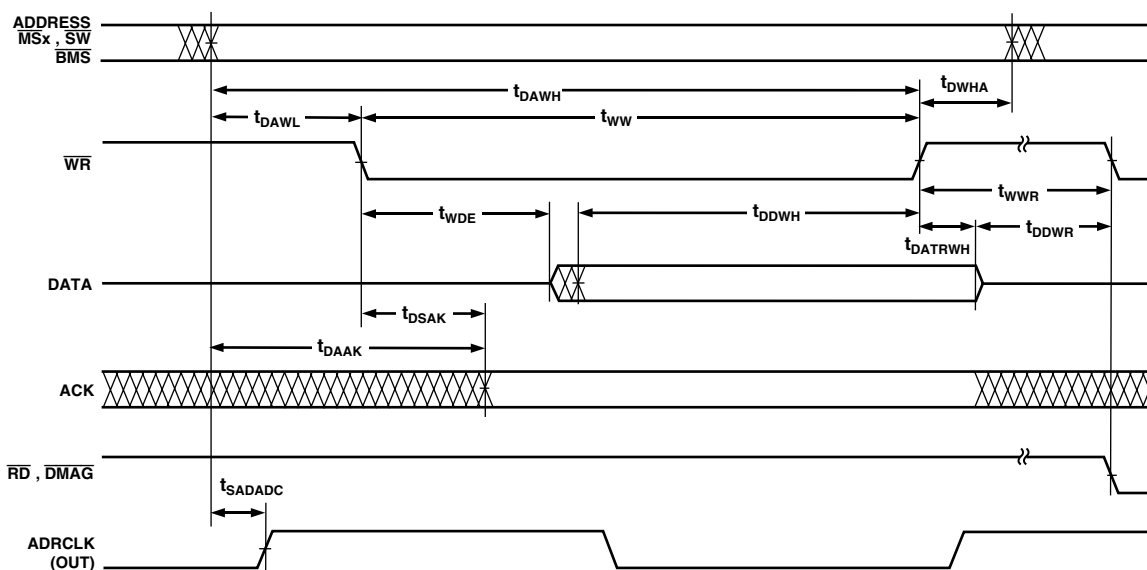


Figure 14. Memory Write—Bus Master

# ADSP-21060/ADSP-21060L

## Synchronous Read/Write—Bus Master

Use these specifications for interfacing to external memory systems that require CLKIN—relative timing or for accessing a slave ADSP-2106x (in multiprocessor memory space). These synchronous switching characteristics are also valid during asynchronous memory reads and writes (see Memory Read—Bus Master and Memory Write—Bus Master).

When accessing a slave ADSP-2106x, these switching characteristics must meet the slave's timing requirements for synchronous read/writes (see Synchronous Read/Write—Bus Slave). The slave ADSP-2106x must also meet these (bus master) timing requirements for data and acknowledge setup and hold times.

Parameter	ADSP-21060		ADSP-21060L		Units
	Min	Max	Min	Max	
<i>Timing Requirements:</i>					
t <sub>SSDATI</sub> Data Setup before CLKIN	3 + DT/8		3 + DT/8		ns
t <sub>HSDATI</sub> Data Hold after CLKIN	3.5 – DT/8		3.5 – DT/8		ns
t <sub>DAAK</sub> ACK Delay after Address, $\overline{MS}_x$ , $\overline{SW}$ , $\overline{BMS}^{1,2}$		14 + 7 DT/8 + W		14 + 7 DT/8 + W	ns
t <sub>SACKC</sub> ACK Setup before CLKIN <sup>2</sup>	6.5 + DT/4		6.5 + DT/4		ns
t <sub>HACK</sub> ACK Hold after CLKIN	–1 – DT/4		–1 – DT/4		ns
<i>Switching Characteristics:</i>					
t <sub>DADRO</sub> Address, $\overline{MS}_x$ , $\overline{BMS}$ , $\overline{SW}$ Delay after CLKIN <sup>1</sup>		7 – DT/8		7 – DT/8	ns
t <sub>HADRO</sub> Address, $\overline{MS}_x$ , $\overline{BMS}$ , $\overline{SW}$ Hold after CLKIN	–1 – DT/8		–1 – DT/8		ns
t <sub>DPGC</sub> PAGE Delay after CLKIN	9 + DT/8	16 + DT/8	9 + DT/8	16 + DT/8	ns
t <sub>DRDO</sub> $\overline{RD}$ High Delay after CLKIN	–2 – DT/8	4 – DT/8	–2 – DT/8	4 – DT/8	ns
t <sub>DWRO</sub> $\overline{WR}$ High Delay after CLKIN	–3 – 3DT/16	4 – 3DT/16	–3 – 3DT/16	4 – 3DT/16	ns
t <sub>DRWL</sub> $\overline{RD}/\overline{WR}$ Low Delay after CLKIN	8 + DT/4	12.5 + DT/4	8 + DT/4	12.5 + DT/4	ns
t <sub>SDDATO</sub> Data Delay after CLKIN		19 + 5DT/16		19 + 5DT/16	ns
t <sub>DATTR</sub> Data Disable after CLKIN <sup>3</sup>	0 – DT/8	7 – DT/8	0 – DT/8	7 – DT/8	ns
t <sub>DADCCK</sub> ADRCLK Delay after CLKIN	4 + DT/8	10 + DT/8	4 + DT/8	10 + DT/8	ns
t <sub>ADRCK</sub> ADRCLK Period		t <sub>CK</sub>		t <sub>CK</sub>	ns
t <sub>ADRCKH</sub> ADRCLK Width High		(t <sub>CK</sub> /2) – 2		(t <sub>CK</sub> /2) – 2	ns
t <sub>ADRCKL</sub> ADRCLK Width Low		(t <sub>CK</sub> /2) – 2		(t <sub>CK</sub> /2) – 2	ns

W = (number of Wait states specified in WAIT register) × t<sub>CK</sub>.

### NOTES

<sup>1</sup>The falling edge of  $\overline{MS}_x$ ,  $\overline{SW}$ ,  $\overline{BMS}$  is referenced.

<sup>2</sup>ACK Delay/Setup: User must meet t<sub>DAAK</sub> or t<sub>DSAK</sub> or synchronous specification t<sub>SACKC</sub> for deassertion of ACK (Low), all three specifications must be met for assertion of ACK (High).

<sup>3</sup>See *System Hold Time Calculation* under Test Conditions for calculation of hold times given capacitive and dc loads.

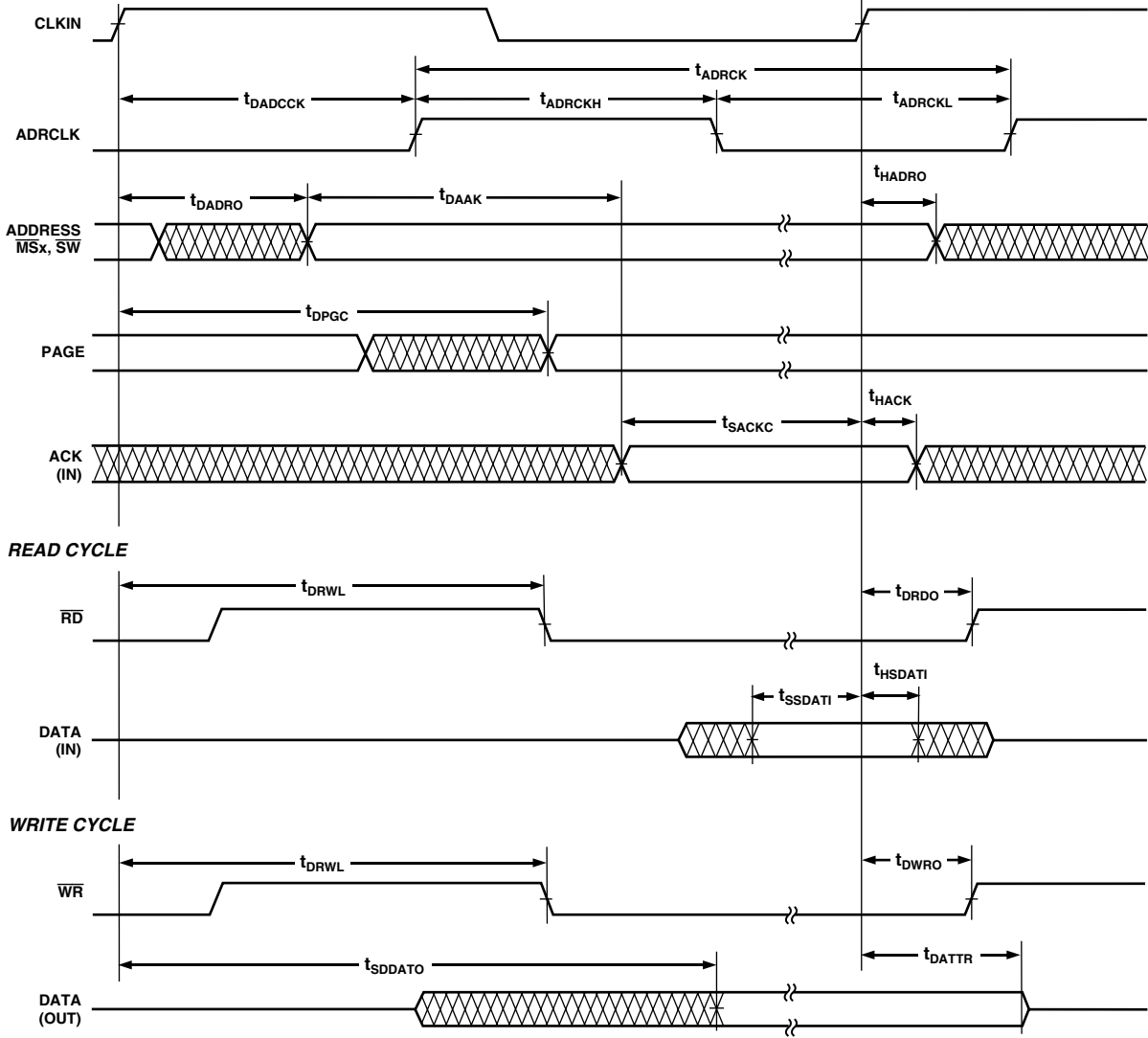


Figure 15. Synchronous Read/Write – Bus Master

# ADSP-21060/ADSP-21060L

## Synchronous Read/Write—Bus Slave

Use these specifications for ADSP-2106x bus master accesses of a slave's IOP registers or internal memory (in multiprocessor

memory space). The bus master must meet these (bus slave) timing requirements.

Parameter	ADSP-21060		ADSP-21060L		Units
	Min	Max	Min	Max	
<i>Timing Requirements:</i>					
$t_{SADRI}$ Address, $\overline{SW}$ Setup before CLKIN	$15 + DT/2$		$15 + DT/2$		ns
$t_{HADRI}$ Address, $\overline{SW}$ Hold before CLKIN		$5 + DT/2$		$5 + DT/2$	ns
$t_{SRWLI}$ $\overline{RD}/\overline{WR}$ Low Setup before CLKIN <sup>1</sup>	$9.5 + 5DT/16$		$9.5 + 5DT/16$		ns
$t_{HRWLI}$ $\overline{RD}/\overline{WR}$ Low Hold after CLKIN	$-4 - 5DT/16$	$8 + 7DT/16$	$-4 - 5DT/16$	$8 + 7DT/16$	ns
$t_{RWHPI}$ $\overline{RD}/\overline{WR}$ Pulse High	3		3		ns
$t_{SDATWH}$ Data Setup before $\overline{WR}$ High	5		5		ns
$t_{HDATWH}$ Data Hold after $\overline{WR}$ High	1		1		ns
<i>Switching Characteristics:</i>					
$t_{SDDATO}$ Data Delay after CLKIN		$19 + 5DT/16$		$19 + 5DT/16$	ns
$t_{DATTR}$ Data Disable after CLKIN <sup>2</sup>	$0 - DT/8$	$7 - DT/8$	$0 - DT/8$	$7 - DT/8$	ns
$t_{DACKAD}$ ACK Delay after Address, $\overline{SW}$ <sup>3</sup>		9		9	ns
$t_{ACKTR}$ ACK Disable after CLKIN <sup>3</sup>	$-1 - DT/8$	$6 - DT/8$	$-1 - DT/8$	$6 - DT/8$	ns

### NOTES

<sup>1</sup> $t_{SRWLI}$  (min) =  $9.5 + 5DT/16$  when Multiprocessor Memory Space Wait State (MMSWS bit in WAIT register) is disabled; when MMSWS is enabled,  $t_{SRWLI}$  (min) =  $4 + DT/8$ .

<sup>2</sup>See *System Hold Time Calculation* under Test Conditions for calculation of hold times given capacitive and dc loads.

<sup>3</sup> $t_{DACKAD}$  is true only if the address and  $\overline{SW}$  inputs have setup times (before CLKIN) greater than  $10 + DT/8$  and less than  $19 + 3DT/4$ . If the address and  $\overline{SW}$  inputs have setup times greater than  $19 + 3DT/4$ , then ACK is valid  $14 + DT/4$  (max) after CLKIN. A slave that sees an address with an M field match will respond with ACK regardless of the state of MMSWS or strobes. A slave will three-state ACK every cycle with  $t_{ACKTR}$ .

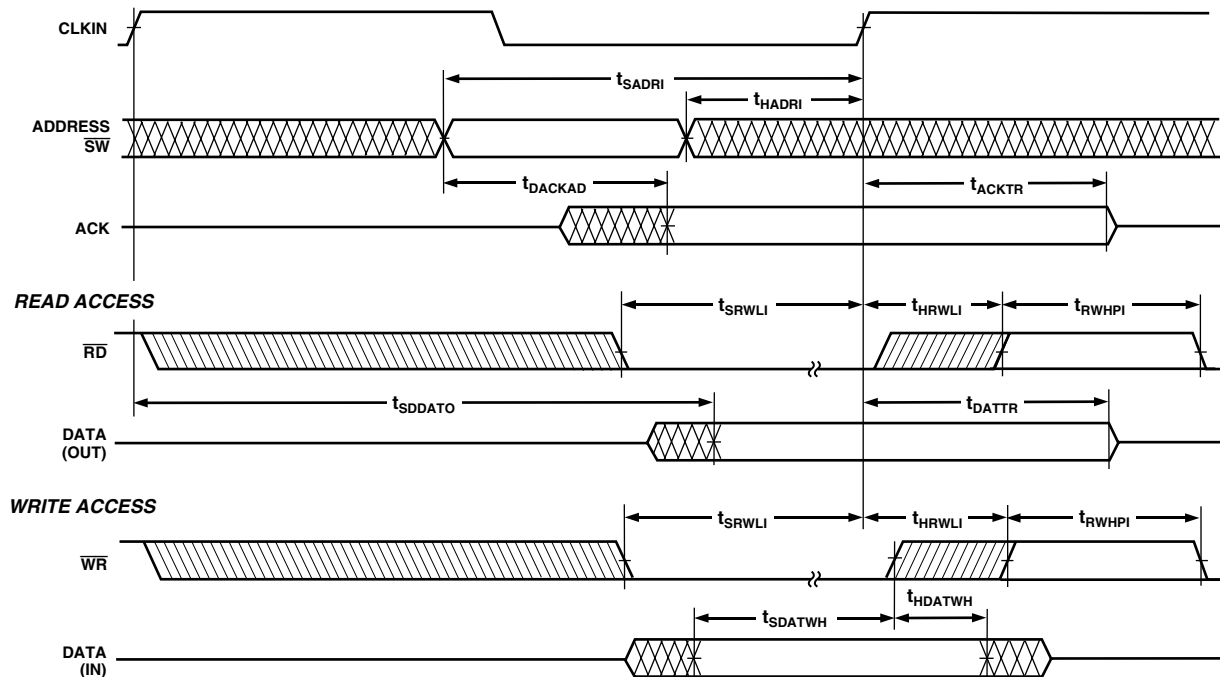


Figure 16. Synchronous Read/Write—Bus Slave

## Multiprocessor Bus Request and Host Bus Request

Use these specifications for passing of bus mastership between multiprocessing ADSP-2106xs ( $\overline{\text{BRx}}$ ) or a host processor ( $\overline{\text{HBR}}$ ,  $\overline{\text{HBG}}$ ).

Parameter	ADSP-21060		ADSP-21060L		Units
	Min	Max	Min	Max	
<i>Timing Requirements:</i>					
$t_{\text{HBGRCSV}}$ $\overline{\text{HBG}}$ Low to $\overline{\text{RD}}/\overline{\text{WR}}/\overline{\text{CS}}$ Valid <sup>1</sup>		20+ 5DT/4		20+ 5DT/4	ns
$t_{\text{SHBRI}}$ $\overline{\text{HBR}}$ Setup before CLKIN <sup>2</sup>	20 + 3DT/4		20 + 3DT/4		ns
$t_{\text{HHBRI}}$ $\overline{\text{HBR}}$ Hold before CLKIN <sup>2</sup>		14 + 3DT/4		14 + 3DT/4	ns
$t_{\text{SHBGI}}$ $\overline{\text{HBG}}$ Setup before CLKIN	13 + DT/2		13 + DT/2		ns
$t_{\text{HHBGI}}$ $\overline{\text{HBG}}$ Hold before CLKIN High		6 + DT/2		6 + DT/2	ns
$t_{\text{SBRI}}$ $\overline{\text{BRx}}$ , $\overline{\text{CPA}}$ Setup before CLKIN <sup>3</sup>	13 + DT/2		13 + DT/2		ns
$t_{\text{HBRI}}$ $\overline{\text{BRx}}$ , $\overline{\text{CPA}}$ Hold before CLKIN High		6 + DT/2		6 + DT/2	ns
$t_{\text{SRPBAI}}$ RPBA Setup before CLKIN	21 + 3DT/4		21 + 3DT/4		ns
$t_{\text{HRPBAI}}$ RPBA Hold before CLKIN		12 + 3DT/4		12 + 3DT/4	ns
<i>Switching Characteristics:</i>					
$t_{\text{DHBGO}}$ $\overline{\text{HBG}}$ Delay after CLKIN		7 – DT/8		7 – DT/8	ns
$t_{\text{HHBGO}}$ $\overline{\text{HBG}}$ Hold after CLKIN	–2 – DT/8		–2 – DT/8		ns
$t_{\text{DBRO}}$ $\overline{\text{BRx}}$ Delay after CLKIN		7 – DT/8		7 – DT/8	ns
$t_{\text{HBRO}}$ $\overline{\text{BRx}}$ Hold after CLKIN	–2 – DT/8		–2 – DT/8		ns
$t_{\text{DCPAO}}$ $\overline{\text{CPA}}$ Low Delay after CLKIN		8 – DT/8		8 – DT/8	ns
$t_{\text{TRCPA}}$ $\overline{\text{CPA}}$ Disable after CLKIN	–2 – DT/8	4.5 – DT/8	–2 – DT/8	4.5 – DT/8	ns
$t_{\text{DRDYCS}}$ REDY (O/D) or (A/D) Low from $\overline{\text{CS}}$ and $\overline{\text{HBR}}$ Low <sup>4</sup>		8.5		9.25	ns
$t_{\text{TRDYHG}}$ REDY (O/D) Disable or REDY (A/D) High from $\overline{\text{HBG}}$ <sup>4</sup>	44 + 23DT/16		44 + 23DT/16		ns
$t_{\text{ARDYTR}}$ REDY (A/D) Disable from $\overline{\text{CS}}$ or $\overline{\text{HBR}}$ High <sup>4</sup>		10		10	ns

### NOTES

<sup>1</sup>For first asynchronous access after  $\overline{\text{HBR}}$  and  $\overline{\text{CS}}$  asserted,  $\text{ADDR}_{31-0}$  must be a non-MMS value  $1/2 t_{\text{CK}}$  before  $\overline{\text{RD}}$  or  $\overline{\text{WR}}$  goes low or by  $t_{\text{HBGRCSV}}$  after  $\overline{\text{HBG}}$  goes low. This is easily accomplished by driving an upper address signal high when  $\overline{\text{HBG}}$  is asserted. See the “Host Processor Control of the ADSP-2106x” section in the *ADSP-2106x SHARC User’s Manual, Second Edition*.

<sup>2</sup>Only required for recognition in the current cycle.

<sup>3</sup> $\overline{\text{CPA}}$  assertion must meet the setup to CLKIN; deassertion does not need to meet the setup to CLKIN.

<sup>4</sup>(O/D) = open drain, (A/D) = active drive.

# ADSP-21060/ADSP-21060L

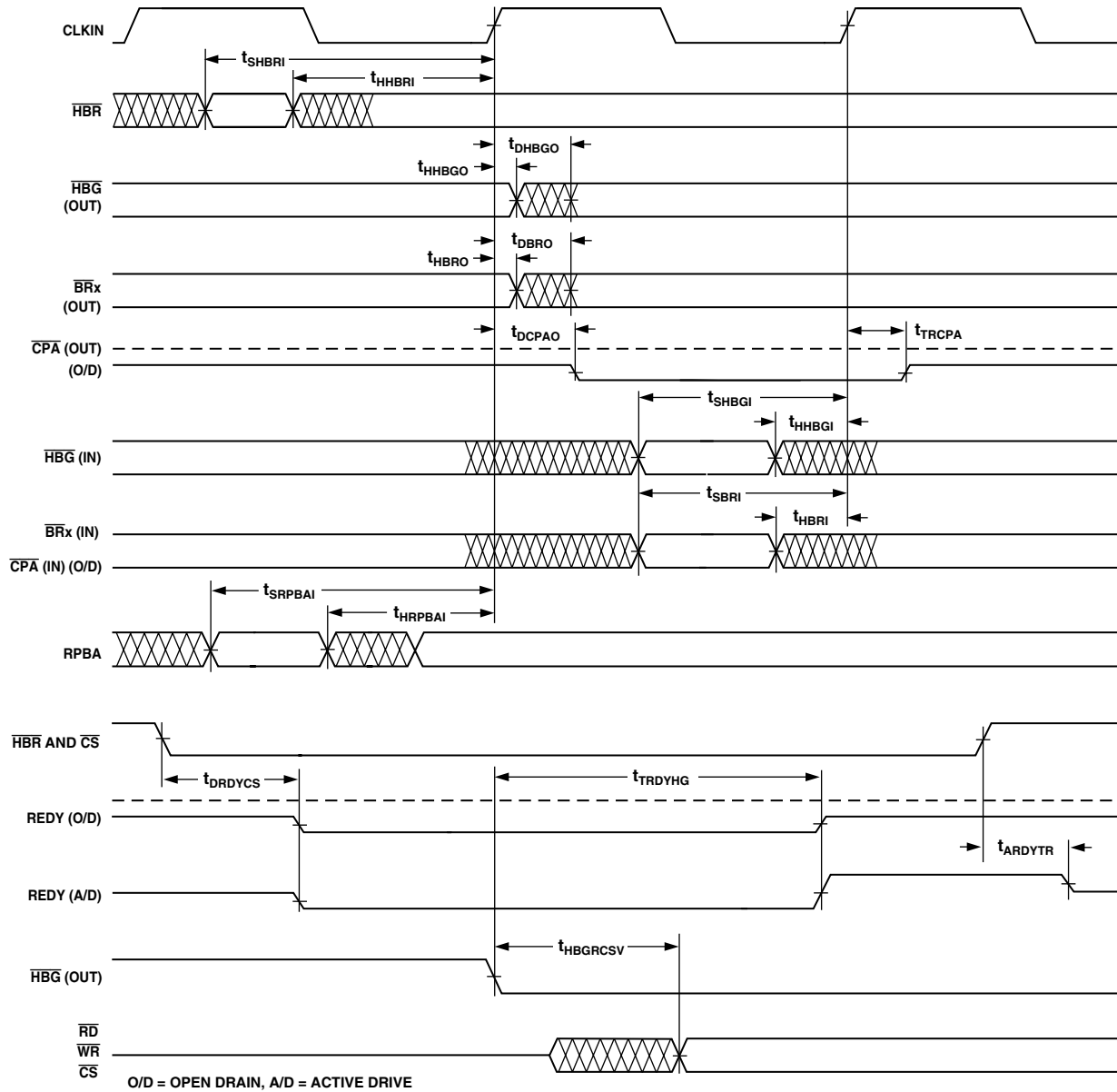


Figure 17. Multiprocessor Bus Request and Host Bus Request

# ADSP-21060/ADSP-21060L

## Asynchronous Read/Write—Host to ADSP-2106x

Use these specifications for asynchronous host processor accesses of an ADSP-2106x, after the host has asserted  $\overline{CS}$  and  $\overline{HBR}$  (low). After  $\overline{HBG}$  is returned by the ADSP-2106x, the host can

drive the  $\overline{RD}$  and  $\overline{WR}$  pins to access the ADSP-2106x's internal memory or IOP registers.  $\overline{HBR}$  and  $\overline{HBG}$  are assumed low for this timing.

Parameter	ADSP-21060		ADSP-21060L		Units
	Min	Max	Min	Max	
<b>Read Cycle</b>					
<i>Timing Requirements:</i>					
$t_{SADRDL}$	Address Setup/ $\overline{CS}$ Low before $\overline{RD}$ Low <sup>1</sup>		0		ns
$t_{HADRDH}$	Address Hold/ $\overline{CS}$ Hold Low after $\overline{RD}$		0		ns
$t_{WRWH}$	$\overline{RD}/\overline{WR}$ High Width		6		ns
$t_{DRDHRDY}$	$\overline{RD}$ High Delay after REDY (O/D) Disable		0		ns
$t_{DRDHRDY}$	$\overline{RD}$ High Delay after REDY (A/D) Disable		0		ns
<i>Switching Characteristics:</i>					
$t_{SDATRDY}$	Data Valid before REDY Disable from Low		2		ns
$t_{DRDYRD}$	REDY (O/D) or (A/D) Low Delay after $\overline{RD}$ Low			10	ns
$t_{RDYPRD}$	REDY (O/D) or (A/D) Low Pulsewidth for Read		45 + 21DT/16		ns
$t_{HDARWH}$	Data Disable after $\overline{RD}$ High		2	8	ns
<b>Write Cycle</b>					
<i>Timing Requirements:</i>					
$t_{SCSWRL}$	$\overline{CS}$ Low Setup before $\overline{WR}$ Low		0		ns
$t_{HCSWRH}$	$\overline{CS}$ Low Hold after $\overline{WR}$ High		0		ns
$t_{SADWRH}$	Address Setup before $\overline{WR}$ High		5		ns
$t_{HADWRH}$	Address Hold after $\overline{WR}$ High		2		ns
$t_{WWRL}$	$\overline{WR}$ Low Width		7		ns
$t_{WRWH}$	$\overline{RD}/\overline{WR}$ High Width		6		ns
$t_{DWRHRDY}$	$\overline{WR}$ High Delay after REDY (O/D) or (A/D) Disable		0		ns
$t_{SDATWH}$	Data Setup before $\overline{WR}$ High		5		ns
$t_{HDATWH}$	Data Hold after $\overline{WR}$ High		1		ns
<i>Switching Characteristics:</i>					
$t_{DRDYWRL}$	REDY (O/D) or (A/D) Low Delay after $\overline{WR}/\overline{CS}$ Low			10	ns
$t_{RDYPWR}$	REDY (O/D) or (A/D) Low Pulsewidth for Write		15 + 7DT/16		ns
$t_{SRDYCK}$	REDY (O/D) or (A/D) Disable to CLKIN		1 + 7DT/16	8 + 7DT/16	ns

**NOTE**

<sup>1</sup>Not required if  $\overline{RD}$  and address are valid  $t_{HBGRCSV}$  after  $\overline{HBG}$  goes low. For first access after  $\overline{HBR}$  asserted,  $ADDR_{31-0}$  must be a non-MMS value  $1/2 t_{CLK}$  before  $\overline{RD}$  or  $\overline{WR}$  goes low or by  $t_{HBGRCSV}$  after  $\overline{HBG}$  goes low. This is easily accomplished by driving an upper address signal high when  $\overline{HBG}$  is asserted. See the "Host Processor Control of the ADSP-2106x" section in the *ADSP-2106x SHARC User's Manual, Second Edition*.

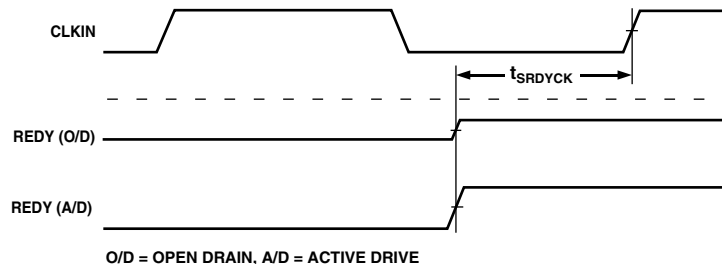


Figure 18a. Synchronous REDY Timing

# ADSP-21060/ADSP-21060L

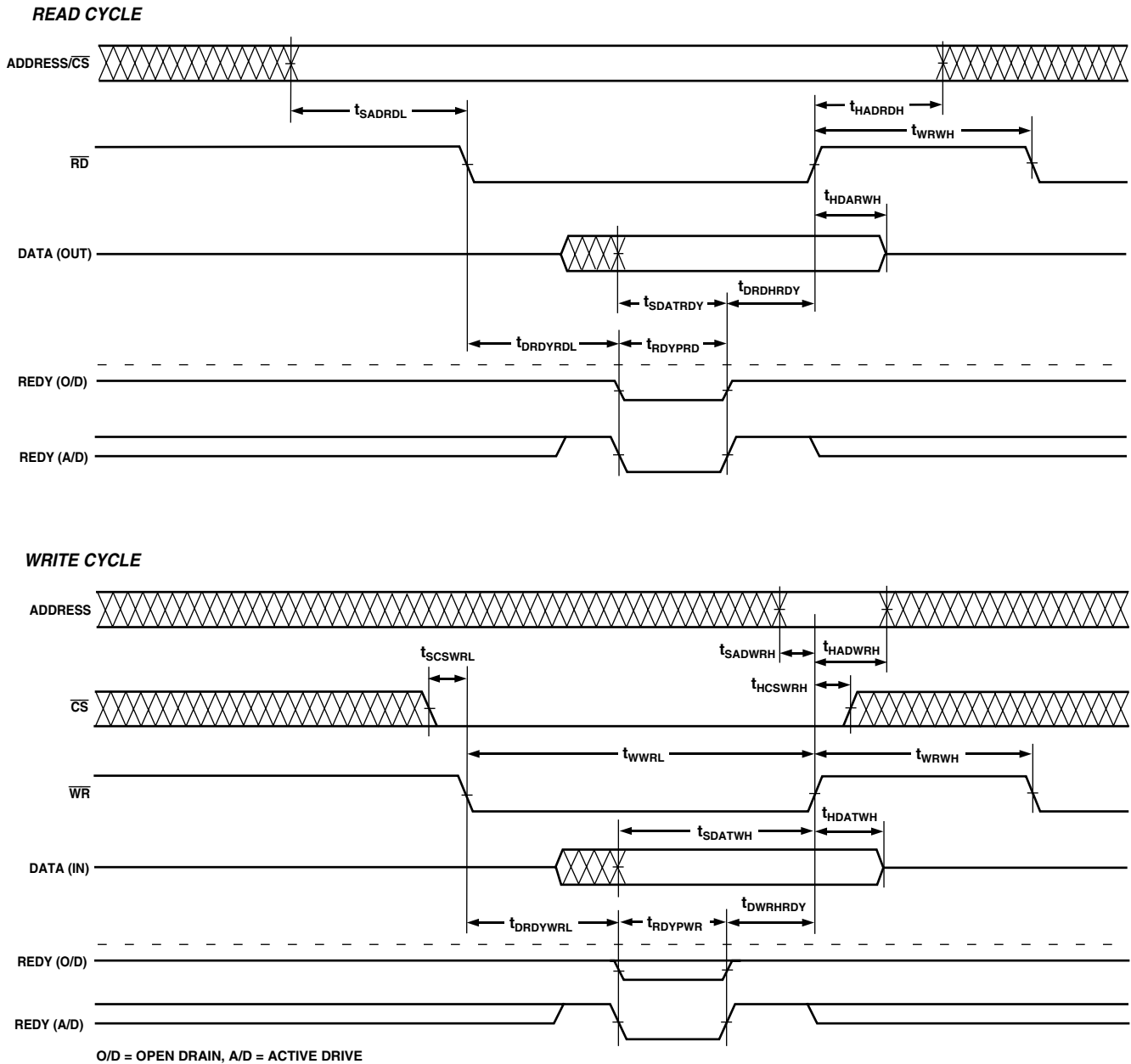


Figure 18b. Asynchronous Read/Write—Host to ADSP-2106x

### Three-State Timing—Bus Master, Bus Slave, $\overline{\text{HBR}}$ , $\overline{\text{SBTS}}$

These specifications show how the memory interface is disabled (stops driving) or enabled (resumes driving) relative to CLKIN

and the  $\overline{\text{SBTS}}$  pin. This timing is applicable to bus master transition cycles (BTC) and host transition cycles (HTC) as well as the  $\overline{\text{SBTS}}$  pin.

Parameter	ADSP-21060		ADSP-21060L		Units
	Min	Max	Min	Max	
<i>Timing Requirements:</i>					
$t_{\text{STSCk}}$ $\overline{\text{SBTS}}$ Setup before CLKIN	12 + DT/2		12 + DT/2		ns
$t_{\text{HTSCk}}$ $\overline{\text{SBTS}}$ Hold before CLKIN		6 + DT/2		6 + DT/2	ns
<i>Switching Characteristics:</i>					
$t_{\text{MIENA}}$ Address/Select Enable after CLKIN	-1.5 - DT/8		-1.25 - DT/8		ns
$t_{\text{MIENS}}$ Strobes Enable after CLKIN <sup>1</sup>	-1.5 - DT/8		-1.5 - DT/8		ns
$t_{\text{MIENHG}}$ $\overline{\text{HBG}}$ Enable after CLKIN	-1.5 - DT/8		-1.5 - DT/8		ns
$t_{\text{MITRA}}$ Address/Select Disable after CLKIN		0 - DT/4		0 - DT/4	ns
$t_{\text{MITRS}}$ Strobes Disable after CLKIN <sup>1</sup>		1.5 - DT/4		1.5 - DT/4	ns
$t_{\text{MITRHG}}$ $\overline{\text{HBG}}$ Disable after CLKIN		2.0 - DT/4		2.0 - DT/4	ns
$t_{\text{DATEN}}$ Data Enable after CLKIN <sup>2</sup>	9 + 5DT/16		9 + 5DT/16		ns
$t_{\text{DATTR}}$ Data Disable after CLKIN <sup>2</sup>	0 - DT/8	7 - DT/8	0 - DT/8	7 - DT/8	ns
$t_{\text{ACKEN}}$ ACK Enable after CLKIN <sup>2</sup>	7.5 + DT/4		7.5 + DT/4		ns
$t_{\text{ACKTR}}$ ACK Disable after CLKIN <sup>2</sup>	-1 - DT/8	6 - DT/8	-1 - DT/8	6 - DT/8	ns
$t_{\text{ADCEN}}$ ADRCLK Enable after CLKIN	-2 - DT/8		-2 - DT/8		ns
$t_{\text{ADCTR}}$ ADRCLK Disable after CLKIN		8 - DT/4		8 - DT/4	ns
$t_{\text{MTRHBG}}$ Memory Interface Disable before $\overline{\text{HBG}}$ Low <sup>3</sup>	0 + DT/8		0 + DT/8		ns
$t_{\text{MENHBG}}$ Memory Interface Enable after $\overline{\text{HBG}}$ High <sup>3</sup>	19 + DT		19 + DT		ns

**NOTES**

<sup>1</sup>Strobes =  $\overline{\text{RD}}$ ,  $\overline{\text{WR}}$ ,  $\overline{\text{SW}}$ , PAGE,  $\overline{\text{DMAG}}$ .

<sup>2</sup>In addition to bus master transition cycles, these specs also apply to bus master and bus slave synchronous read/write.

<sup>3</sup>Memory Interface = Address, RD, WR, MSx, SW, HBG, PAGE, DMAGx, BMS (in EPROM boot mode).

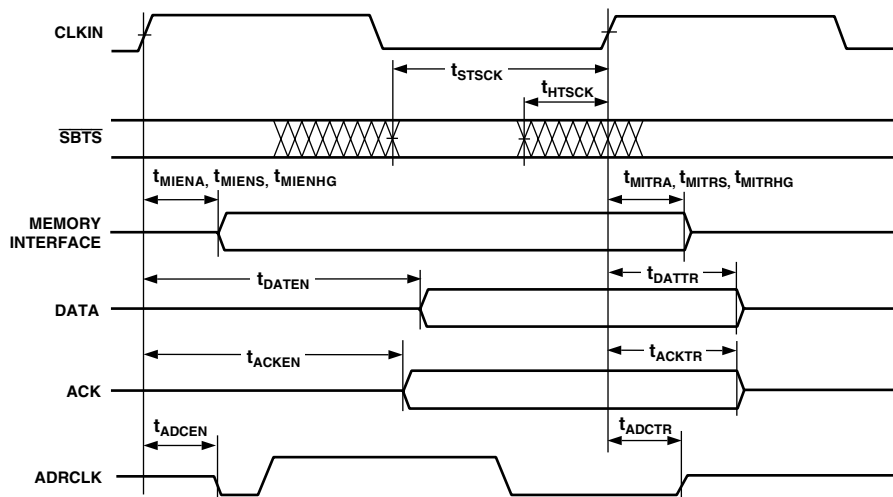


Figure 19a. Three-State Timing (Bus Transition Cycle,  $\overline{\text{SBTS}}$  Assertion)

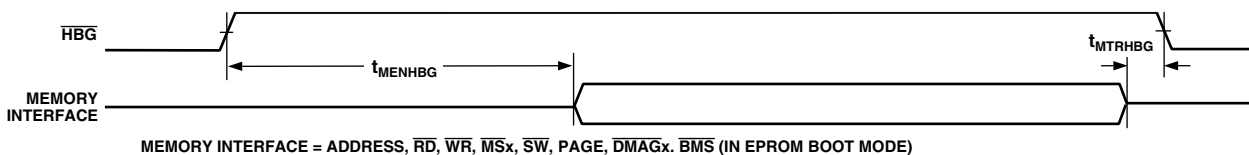


Figure 19b. Three-State Timing (Host Transition Cycle)

# ADSP-21060/ADSP-21060L

## DMA Handshake

These specifications describe the three DMA handshake modes. In all three modes DMAR is used to initiate transfers. For handshake mode, DMAG controls the latching or enabling of data externally. For external handshake mode, the data transfer is controlled by the ADDR<sub>31-0</sub>, RD, WR, SW, PAGE, MS<sub>3-0</sub>, ACK, and DMAG signals. For Paced Master mode, the data

transfer is controlled by ADDR<sub>31-0</sub>, RD, WR, MS<sub>3-0</sub>, and ACK (not DMAG). For Paced Master mode, the Memory Read-Bus Master, Memory Write-Bus Master, and Synchronous Read/Write-Bus Master timing specifications for ADDR<sub>31-0</sub>, RD, WR, MS<sub>3-0</sub>, SW, PAGE, DATA<sub>47-0</sub>, and ACK also apply.

Parameter	ADSP-21060		ADSP-21060L		Units	
	Min	Max	Min	Max		
<i>Timing Requirements:</i>						
t <sub>SDRLC</sub>	DMARx Low Setup before CLKIN <sup>1</sup>	5	5		ns	
t <sub>SDRHC</sub>	DMARx High Setup before CLKIN <sup>1</sup>	5	5		ns	
t <sub>WDR</sub>	DMARx Width Low (Nonsynchronous)	6	6		ns	
t <sub>SDATDGL</sub>	Data Setup after DMAGx Low <sup>2</sup>		10 + 5DT/8	10 + 5DT/8	ns	
t <sub>HDATIDG</sub>	Data Hold after DMAGx High	2	2		ns	
t <sub>DATDRH</sub>	Data Valid after DMARx High <sup>2</sup>		16 + 7DT/8	16 + 7DT/8	ns	
t <sub>DMARLL</sub>	DMARx Low Edge to Low Edge	23 + 7DT/8	23 + 7DT/8		ns	
t <sub>DMARH</sub>	DMARx Width High	6	6		ns	
<i>Switching Characteristics:</i>						
t <sub>DDGL</sub>	DMAGx Low Delay after CLKIN	9 + DT/4	15 + DT/4	9 + DT/4	15 + DT/4	ns
t <sub>WDGH</sub>	DMAGx High Width	6 + 3DT/8		6 + 3DT/8		ns
t <sub>WDGL</sub>	DMAGx Low Width	12 + 5DT/8		12 + 5DT/8		ns
t <sub>HDGC</sub>	DMAGx High Delay after CLKIN	-2 - DT/8	6 - DT/8	-2 - DT/8	6 - DT/8	ns
t <sub>VDATDGH</sub>	Data Valid before DMAGx High <sup>3</sup>	8 + 9DT/16		8 + 9DT/16		ns
t <sub>DATRDGH</sub>	Data Disable after DMAGx High <sup>4</sup>	0	7	0	7	ns
t <sub>DGWRL</sub>	WR Low before DMAGx Low	0	2	0	2	ns
t <sub>DGWRH</sub>	DMAGx Low before WR High	10 + 5DT/8 + W		10 + 5DT/8 + W		ns
t <sub>DGWRR</sub>	WR High before DMAGx High	1 + DT/16	3 + DT/16	1 + DT/16	3 + DT/16	ns
t <sub>DGRDL</sub>	RD Low before DMAGx Low	0	2	0	2	ns
t <sub>DRDGH</sub>	RD Low before DMAGx High	11 + 9DT/16 + W		11 + 9DT/16 + W		ns
t <sub>DGRDR</sub>	RD High before DMAGx High	0	3	0	3	ns
t <sub>DGWR</sub>	DMAGx High to WR, RD, DMAGx Low	5 + 3DT/8 + HI		5 + 3DT/8 + HI		ns
t <sub>DADGH</sub>	Address/Select Valid to DMAGx High	17 + DT		17 + DT		ns
t <sub>DDGHA</sub>	Address/Select Hold after DMAGx High	-0.5		-0.5		ns

W = (number of wait states specified in WAIT register) × t<sub>CK</sub>.

HI = t<sub>CK</sub> (if an address hold cycle or bus idle cycle occurs, as specified in WAIT register; otherwise HI = 0).

## NOTES

<sup>1</sup>Only required for recognition in the current cycle.

<sup>2</sup>t<sub>SDATDGL</sub> is the data setup requirement if DMARx is not being used to hold off completion of a write. Otherwise, if DMARx low holds off completion of the write, the data can be driven t<sub>DATDRH</sub> after DMARx is brought high.

<sup>3</sup>t<sub>VDATDGH</sub> is valid if DMARx is not being used to hold off completion of a read. If DMARx is used to prolong the read, then t<sub>VDATDGH</sub> = 8 + 9DT/16 + (n × t<sub>CK</sub>) where n equals the number of extra cycles that the access is prolonged.

<sup>4</sup>See *System Hold Time Calculation* under Test Conditions for calculation of hold times given capacitive and dc loads.

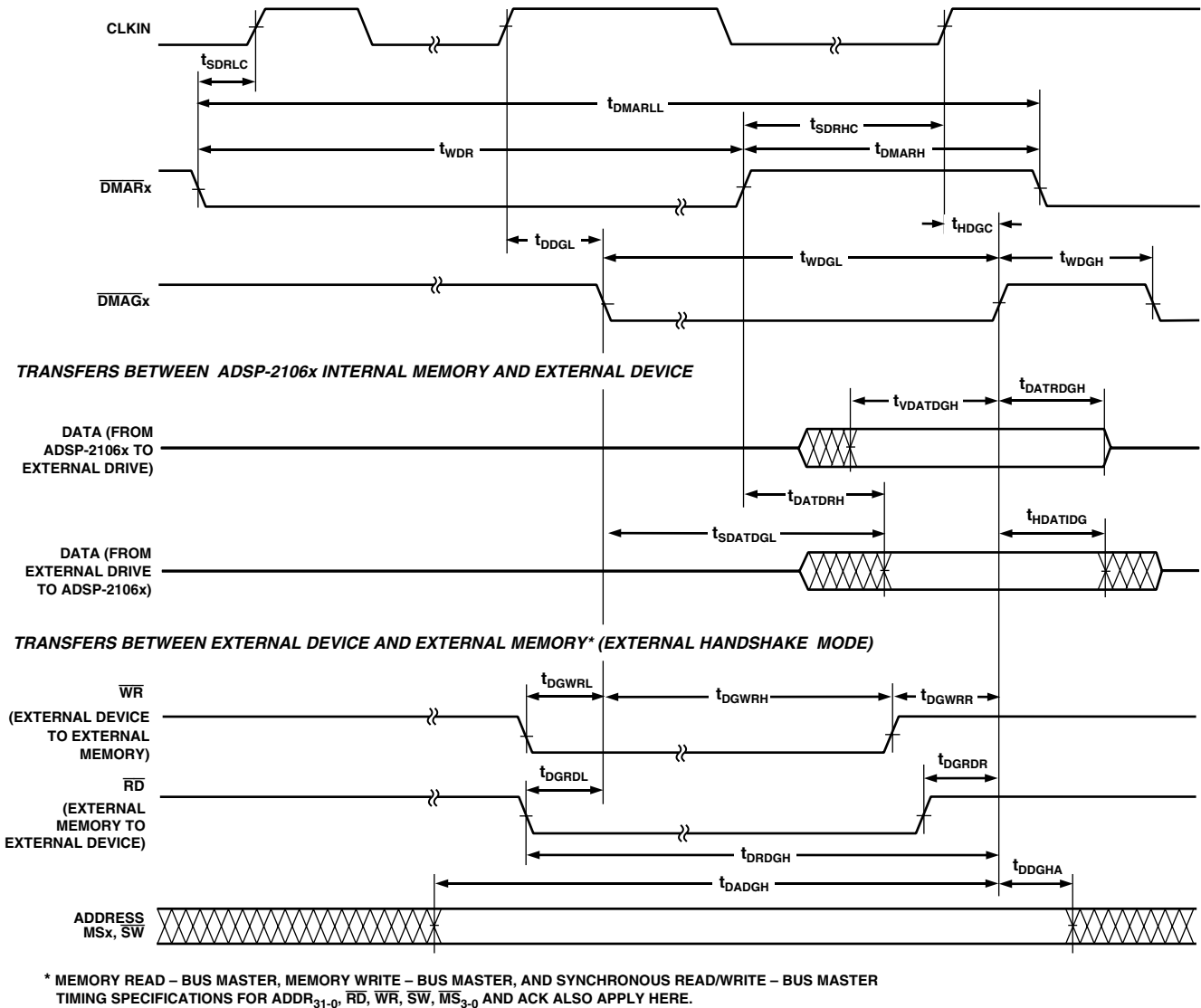


Figure 20. DMA Handshake Timing

# ADSP-21060/ADSP-21060L

## Link Ports: 1 × CLK Speed Operation

Parameter	ADSP-21060		ADSP-21060L		Units
	Min	Max	Min	Max	
<b>Receive</b>					
<i>Timing Requirements:</i>					
$t_{SLDCL}$ Data Setup before LCLK Low	3.5		3		ns
$t_{HLDCL}$ Data Hold after LCLK Low	3		3		ns
$t_{LCLKIW}$ LCLK Period (1 × Operation)	$t_{CK}$		$t_{CK}$		ns
$t_{LCLKRWL}$ LCLK Width Low	6		6		ns
$t_{LCLKRWH}$ LCLK Width High	5		5		ns
<i>Switching Characteristics:</i>					
$t_{DLAHC}$ LACK High Delay after CLKIN High	$18 + DT/2$	$28.5 + DT/2$	$18 + DT/2$	$28.5 + DT/2$	ns
$t_{DLALC}$ LACK Low Delay after LCLK High <sup>1</sup>	-3	13	-3	13	ns
$t_{ENDLK}$ LACK Enable from CLKIN	$5 + DT/2$		$5 + DT/2$		ns
$t_{TDLK}$ LACK Disable from CLKIN		$20 + DT/2$		$20 + DT/2$	ns
<b>Transmit</b>					
<i>Timing Requirements:</i>					
$t_{SLACH}$ LACK Setup before LCLK High	18		20		ns
$t_{HLACH}$ LACK Hold after LCLK High	-7		-7		ns
<i>Switching Characteristics:</i>					
$t_{DLCLK}$ LCLK Delay after CLKIN (1 × operation)		15.5		16.5	ns
$t_{DLDCH}$ Data Delay after LCLK High		3		2.5	ns
$t_{HLDCH}$ Data Hold after LCLK High	-3		-3		ns
$t_{LCLKTWL}$ LCLK Width Low	$(t_{CK}/2) - 2$	$(t_{CK}/2) + 2$	$(t_{CK}/2) - 1$	$(t_{CK}/2) + 1.25$	ns
$t_{LCLKTWH}$ LCLK Width High	$(t_{CK}/2) - 2$	$(t_{CK}/2) + 2$	$(t_{CK}/2) - 1.25$	$(t_{CK}/2) + 1.0$	ns
$t_{DLACLK}$ LCLK Low Delay after LACK High	$(t_{CK}/2) + 8.5$	$(3 \times t_{CK}/2) + 17$	$(t_{CK}/2) + 8.0$	$(3 \times t_{CK}/2) + 17.5$	ns
$t_{ENDLK}$ LDAT, LCLK Enable after CLKIN	$5 + DT/2$		$5 + DT/2$		ns
$t_{TDLK}$ LDAT, LCLK Disable after CLKIN		$20 + DT/2$		$20 + DT/2$	ns
<b>Link Port Service Request Interrupts: 1 × and 2 × Speed Operations</b>					
<i>Timing Requirements:</i>					
$t_{SLCK}$ LACK/LCLK Setup before CLKIN Low <sup>2</sup>	10		10		ns
$t_{HLCK}$ LACK/LCLK Hold after CLKIN Low <sup>2</sup>	2		2		ns

### NOTES

<sup>1</sup>LACK will go low with  $t_{DLALC}$  relative to rising edge of LCLK after first nibble is received. LACK will not go low if the receiver's link buffer is not about to fill.

<sup>2</sup>Only required for interrupt recognition in the current cycle.

## Link Ports: 2 × CLK Speed Operation

Calculation of link receiver data setup and hold relative to link clock is required to determine the maximum allowable skew that can be introduced in the transmission path between LDATA and LCLK. Setup skew is the maximum delay that can be introduced in LDATA relative to LCLK, (setup skew =  $t_{LCLKTWH} \text{ min} - t_{DLDC} - t_{SLDCL}$ ). Hold skew is the maximum delay that can be introduced in LCLK relative to LDATA, (hold skew =  $t_{LCLKTWL} \text{ min} - t_{HLDCH} - t_{HLDCL}$ ). Calculations made directly from 2 × speed specifications will result in unrealistically small skew times because they include multiple tester guardbands. The setup and hold skew times shown below are calculated to include only one tester guardband.

ADSP-21060 Setup Skew	= 1.93 ns max
ADSP-21060 Hold Skew	= 2.95 ns max
ADSP-21060L Setup Skew	= 1.87 ns max
ADSP-21060L Hold Skew	= 1.69 ns max

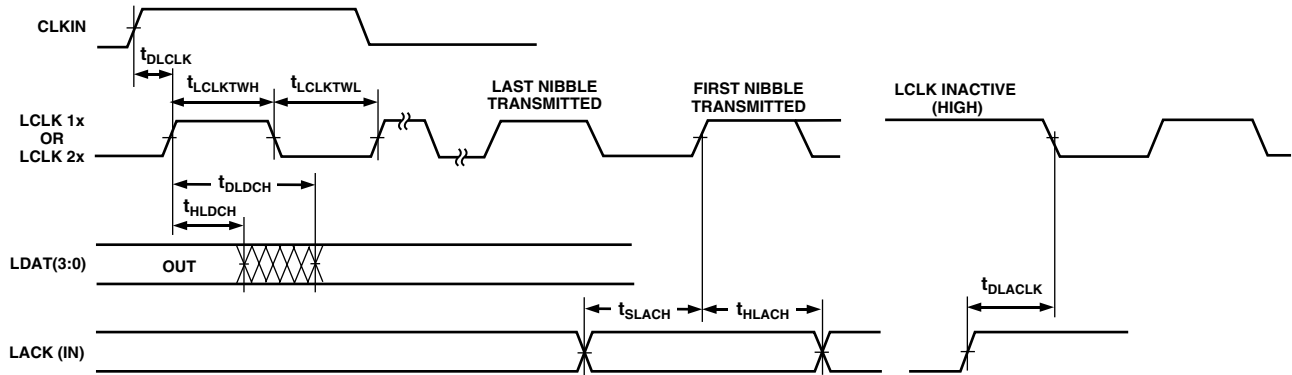
Parameter	ADSP-21060		ADSP-21060L		Units
	Min	Max	Min	Max	
<b>Receive</b>					
<i>Timing Requirements:</i>					
$t_{SLDCL}$ Data Setup before LCLK Low	2.5		2.25		ns
$t_{HLDCL}$ Data Hold after LCLK Low	2.25		2.25		ns
$t_{LCLKIW}$ LCLK Period (2 × Operation)	$t_{CK}/2$		$t_{CK}/2$		ns
$t_{LCLKRWL}$ LCLK Width Low	4.5		5.0		ns
$t_{LCLKRWH}$ LCLK Width High	4.25		4.0		ns
<i>Switching Characteristics:</i>					
$t_{DLAHC}$ LACK High Delay after CLKIN High	18 + DT/2	28.5 + DT/2	18 + DT/2	29.5 + DT/2	ns
$t_{DLALC}$ LACK Low Delay after LCLK High <sup>1</sup>	6	16	6	18	ns
<b>Transmit</b>					
<i>Timing Requirements:</i>					
$t_{SLACH}$ LACK Setup before LCLK High	19		19		ns
$t_{HLACH}$ LACK Hold after LCLK High	-6.75		-6.5		ns
<i>Switching Characteristics:</i>					
$t_{DLCLK}$ LCLK Delay after CLKIN		8		8	ns
$t_{DLDC}$ Data Delay after LCLK High		2.5		2.25	ns
$t_{HLDCH}$ Data Hold after LCLK High	-2.0		-2.0		ns
$t_{LCLKTWL}$ LCLK Width Low	$(t_{CK}/4) - 1$	$(t_{CK}/4) + 1$	$(t_{CK}/4) - 0.75$	$(t_{CK}/4) + 1.5$	ns
$t_{LCLKTWH}$ LCLK Width High	$(t_{CK}/4) - 1$	$(t_{CK}/4) + 1$	$(t_{CK}/4) - 1.5$	$(t_{CK}/4) + 1$	ns
$t_{DLACLK}$ LCLK Low Delay after LACK High	$(t_{CK}/4) + 9$	$(3 * t_{CK}/4) + 16.5$	$(t_{CK}/4) + 9$	$(3 * t_{CK}/4) + 16.5$	ns

**NOTE**

<sup>1</sup>LACK will go low with  $t_{DLALC}$  relative to rising edge of LCLK after first nibble is received. LACK will not go low if the receiver's link buffer is not about to fill.

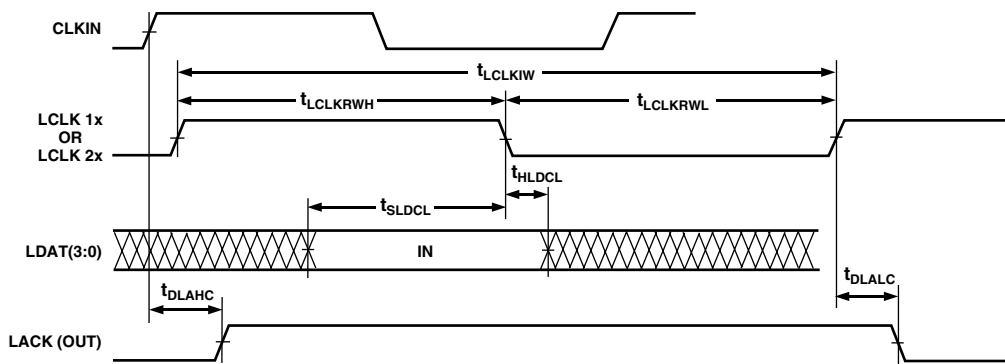
# ADSP-21060/ADSP-21060L

## TRANSMIT

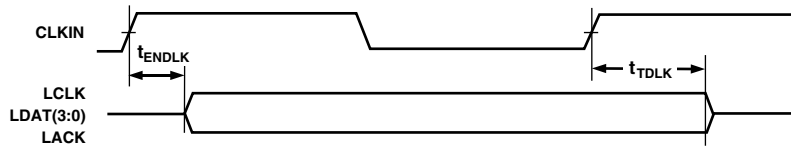


THE  $t_{SLACH}$  REQUIREMENT APPLIES TO THE RISING EDGE OF LCLK ONLY FOR THE FIRST NIBBLE TRANSMITTED.

## RECEIVE



## LINK PORT ENABLE/THREE-STATE DELAY FROM INSTRUCTION



LINK PORT ENABLE OR THREE-STATE TAKES EFFECT 2 CYCLES AFTER A WRITE TO A LINK PORT CONTROL REGISTER.

## LINK PORT INTERRUPT SETUP TIME

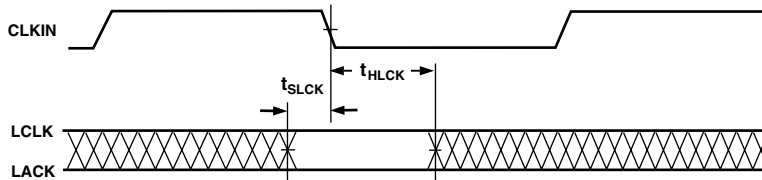


Figure 21. Link Ports

## Serial Ports

Parameter	ADSP-21060		ADSP-21060L		Units
	Min	Max	Min	Max	
<b>External Clock</b>					
<i>Timing Requirements:</i>					
t <sub>SFSE</sub> TFS/RFS Setup before TCLK/RCLK <sup>1</sup>	3.5		3.5		ns
t <sub>HFSE</sub> TFS/RFS Hold after TCLK/RCLK <sup>1,2</sup>	4		4		ns
t <sub>SDRE</sub> Receive Data Setup before RCLK <sup>1</sup>	1.5		1.5		ns
t <sub>HDRE</sub> Receive Data Hold after RCLK <sup>1</sup>	4		4		ns
t <sub>SCLKW</sub> TCLK/RCLK Width			9.0		ns
t <sub>SCLK</sub> TCLK/RCLK Period	t <sub>CK</sub>		t <sub>CK</sub>		ns
<b>Internal Clock</b>					
<i>Timing Requirements:</i>					
t <sub>SFSI</sub> TFS Setup before TCLK <sup>1</sup> ; RFS Setup before RCLK <sup>1</sup>	8		8		ns
t <sub>HFSI</sub> TFS/RFS Hold after TCLK/RCLK <sup>1,2</sup>	1		1		ns
t <sub>SDRI</sub> Receive Data Setup before RCLK <sup>1</sup>	3		3		ns
t <sub>HDRI</sub> Receive Data Hold after RCLK <sup>1</sup>	3		3		ns
<b>External or Internal Clock</b>					
<i>Switching Characteristics:</i>					
t <sub>DFSE</sub> RFS Delay after RCLK (Internally Generated RFS) <sup>3</sup>		13		13	ns
t <sub>HOFSE</sub> RFS Hold after RCLK (Internally Generated RFS) <sup>3</sup>	3		3		ns
<b>External Clock</b>					
<i>Switching Characteristics:</i>					
t <sub>DFSE</sub> TFS Delay after TCLK (Internally Generated TFS) <sup>3</sup>		13		13	ns
t <sub>HOFSE</sub> TFS Hold after TCLK (Internally Generated TFS) <sup>3</sup>	3		3		ns
t <sub>DDTE</sub> Transmit Data Delay after TCLK <sup>3</sup>		16		16	ns
t <sub>HODTE</sub> Transmit Data Hold after TCLK <sup>3</sup>	5		5		ns
<b>Internal Clock</b>					
<i>Switching Characteristics:</i>					
t <sub>DFSI</sub> TFS Delay after TCLK (Internally Generated TFS) <sup>3</sup>		4.5		4.5	ns
t <sub>HOFSI</sub> TFS Hold after TCLK (Internally Generated TFS) <sup>3</sup>	-1.5		-1.5		ns
t <sub>DDTI</sub> Transmit Data Delay after TCLK <sup>3</sup>		7.5		7.5	ns
t <sub>HDTI</sub> Transmit Data Hold after TCLK <sup>3</sup>	0		0		ns
t <sub>SCLKIW</sub> TCLK/RCLK Width	(t <sub>SCLK</sub> /2) - 2	(t <sub>SCLK</sub> /2) + 2	(t <sub>SCLK</sub> /2) - 2.5	(t <sub>SCLK</sub> /2) + 2.5	ns
<b>Enable and Three-State</b>					
<i>Switching Characteristics:</i>					
t <sub>DDTEN</sub> Data Enable from External TCLK <sup>3</sup>	3.5		4.0		ns
t <sub>DDTTE</sub> Data Disable from External TCLK <sup>3</sup>		10.5		10.5	ns
t <sub>DDTIN</sub> Data Enable from Internal TCLK <sup>3</sup>	0		0		ns
t <sub>DDTTI</sub> Data Disable from Internal TCLK <sup>3</sup>		3		3	ns
t <sub>DCLK</sub> TCLK/RCLK Delay from CLKIN		22 + 3DT/8		22 + 3DT/8	ns
t <sub>DPTR</sub> SPORT Disable after CLKIN		17		17	ns
<b>Gated SCLK with External TFS (Mesh Multiprocessing)<sup>4</sup></b>					
<i>Timing Requirements:</i>					
t <sub>SFSCK</sub> TFS Setup before CLKIN	5		5		ns
t <sub>HTFSCK</sub> TFS Hold after CLKIN	t <sub>CK</sub> /2		t <sub>CK</sub> /2		ns
<b>External Late Frame Sync</b>					
<i>Switching Characteristics:</i>					
t <sub>DDTLFSE</sub> Data Delay from Late External TFS or External RFS with MCE = 1, MFD = 0 <sup>5</sup>		12		12.8	ns
t <sub>DDTENFS</sub> Data Enable from late FS or MCE = 1, MFD = 0 <sup>5</sup>	3		3.5		ns

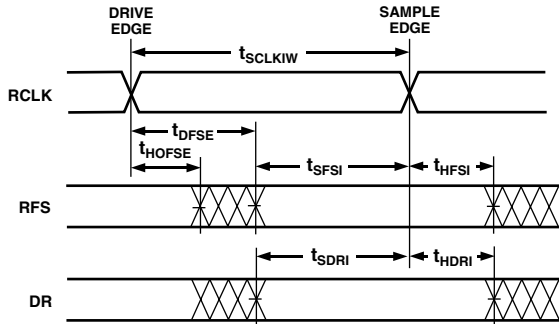
To determine whether communication is possible between two devices at clock speed  $n$ , the following specifications must be confirmed: 1) frame sync delay & frame sync setup and hold, 2) data delay & data setup and hold, and 3) SCLK width.

# ADSP-21060/ADSP-21060L

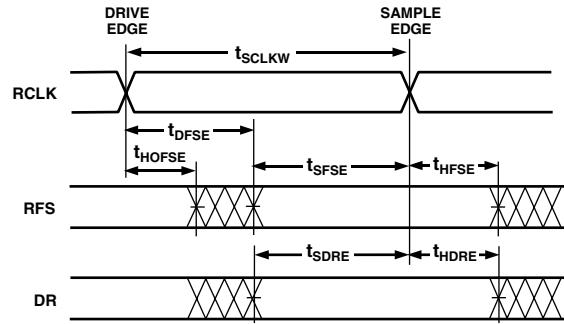
## NOTES

- <sup>1</sup>Referenced to sample edge.
- <sup>2</sup>RFS hold after RCK when MCE = 1, MFD = 0 is 0 ns minimum from drive edge. TFS hold after TCK for late external TFS is 0 ns minimum from drive edge.
- <sup>3</sup>Referenced to drive edge.
- <sup>4</sup>Applies only to gated serial clock mode used for serial port system I/O in mesh multiprocessing systems.
- <sup>5</sup>MCE = 1, TFS enable and TFS valid follow  $t_{DDTLFSE}$  and  $t_{DDTENFS}$ .

### DATA RECEIVE- INTERNAL CLOCK

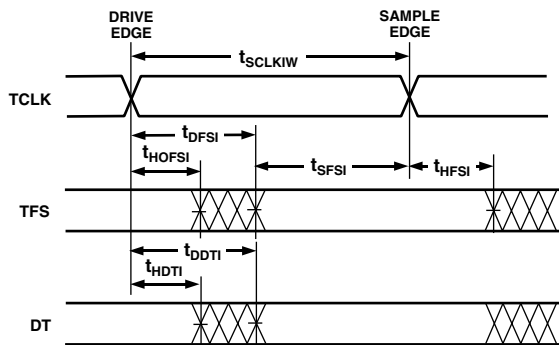


### DATA RECEIVE- EXTERNAL CLOCK

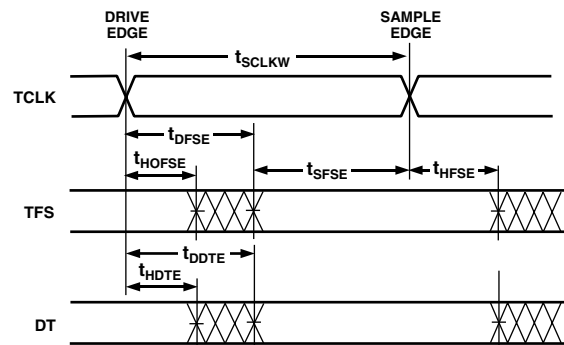


NOTE: EITHER THE RISING EDGE OR FALLING EDGE OF RCLK, TCLK CAN BE USED AS THE ACTIVE SAMPLING EDGE.

### DATA TRANSMIT- INTERNAL CLOCK



### DATA TRANSMIT- EXTERNAL CLOCK



NOTE: EITHER THE RISING EDGE OR FALLING EDGE OF RCLK, TCLK CAN BE USED AS THE ACTIVE SAMPLING EDGE.

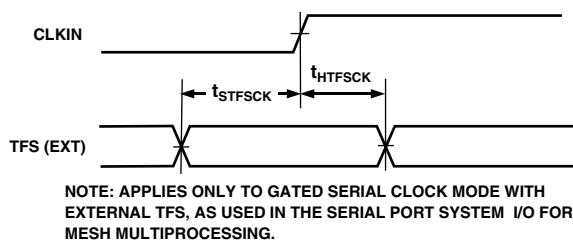
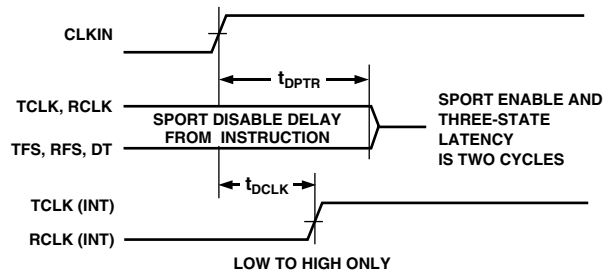
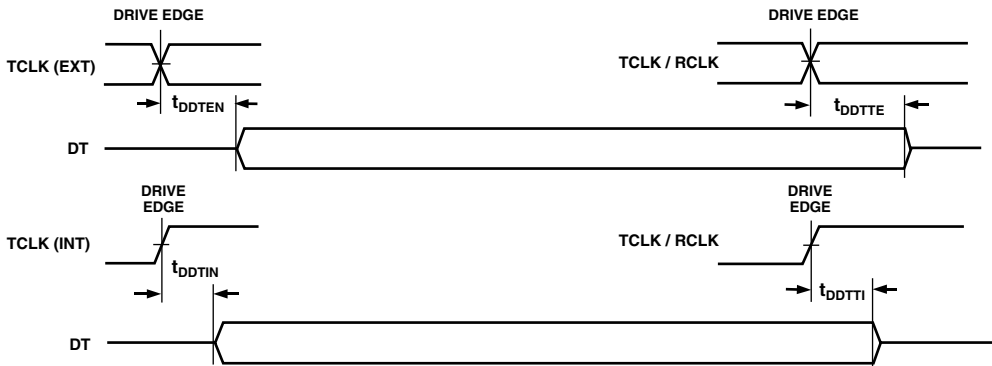
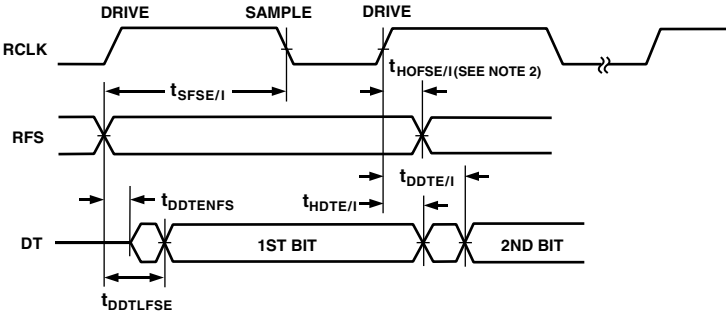


Figure 22. Serial Ports

EXTERNAL RFS with MCE = 1, MFD = 0



LATE EXTERNAL TFS

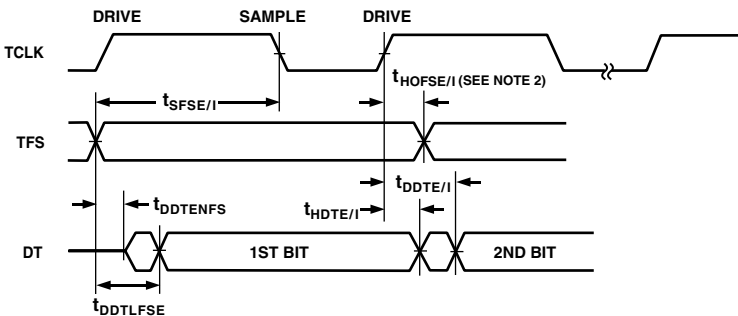


Figure 23. External Late Frame Sync

# ADSP-21060/ADSP-21060L

## JTAG Test Access Port and Emulation

Parameter	ADSP-21060		ADSP-21060L		Units
	Min	Max	Min	Max	
<i>Timing Requirements:</i>					
$t_{TCK}$	TCK Period		$t_{CK}$		ns
$t_{STAP}$	TDI, TMS Setup before TCK High		5		ns
$t_{HTAP}$	TDI, TMS Hold after TCK High		6		ns
$t_{SSYS}$	System Inputs Setup before TCK Low <sup>1</sup>		7		ns
$t_{HSYS}$	System Inputs Hold after TCK Low <sup>1</sup>		18		ns
$t_{TRSTW}$	$\overline{TRST}$ Pulswidth		$4t_{CK}$		ns
<i>Switching Characteristics:</i>					
$t_{DTDO}$	TDO Delay from TCK Low			13	ns
$t_{DSYS}$	System Outputs Delay after TCK Low <sup>2</sup>			18.5	ns

### NOTES

<sup>1</sup>System Inputs = DATA<sub>47-0</sub>, ADDR<sub>31-0</sub>,  $\overline{RD}$ ,  $\overline{WR}$ , ACK,  $\overline{SBTS}$ ,  $\overline{SW}$ ,  $\overline{HBR}$ ,  $\overline{HBG}$ ,  $\overline{CS}$ ,  $\overline{DMAR1}$ ,  $\overline{DMAR2}$ ,  $\overline{BR}_{6-1}$ , ID<sub>2-0</sub>, RPBA,  $\overline{IRQ}_{2-0}$ , FLAG<sub>3-0</sub>, DR0, DR1, TCLK0, TCLK1, RCLK0, RCLK1, TFS0, TFS1, RFS0, RFS1, LxDAT<sub>3-0</sub>, LxCLK, LxACK, EBOOT, LBOOT,  $\overline{BMS}$ , CLKIN, RESET.

<sup>2</sup>System Outputs = DATA<sub>47-0</sub>, ADDR<sub>31-0</sub>,  $\overline{MS}_{3-0}$ ,  $\overline{RD}$ ,  $\overline{WR}$ , ACK, PAGE, ADRCLK,  $\overline{SW}$ ,  $\overline{HBG}$ , REDY,  $\overline{DMAG1}$ ,  $\overline{DMAG2}$ ,  $\overline{BR}_{6-1}$ ,  $\overline{CPA}$ , FLAG<sub>3-0</sub>, TIMEEXP, DT0, DT1, TCLK0, TCLK1, RCLK0, RCLK1, TFS0, TFS1, RFS0, RFS1, LxDAT<sub>3-0</sub>, LxCLK, LxACK,  $\overline{BMS}$ .

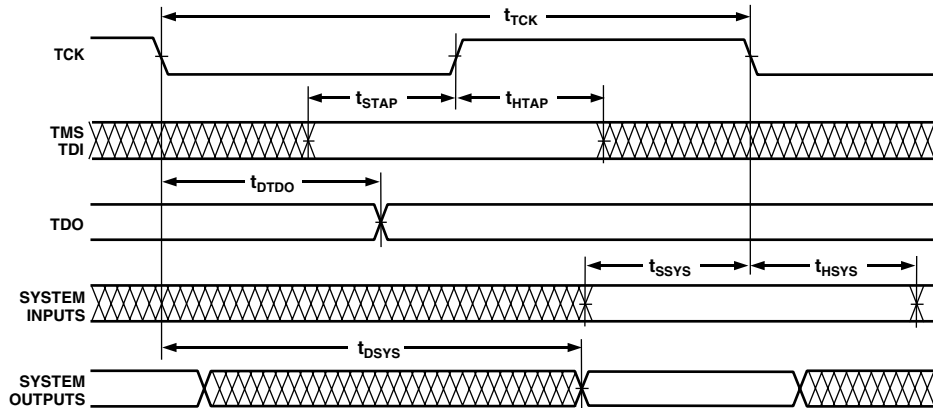


Figure 24. IEEE 11499.1 JTAG Test Access Port

## OUTPUT DRIVE CURRENTS

Figure 28 shows typical I-V characteristics for the output drivers of the ADSP-2106x. The curves represent the current drive capability of the output drivers as a function of output voltage.

## POWER DISSIPATION

Total power dissipation has two components, one due to internal circuitry and one due to the switching of external output drivers. Internal power dissipation is dependent on the instruction execution sequence and the data operands involved. Internal power dissipation is calculated in the following way:

$$P_{INT} = I_{DDIN} \times V_{DD}$$

The external component of total power dissipation is caused by the switching of output pins. Its magnitude depends on:

- the number of output pins that switch during each cycle (O)
- the maximum frequency at which they can switch (f)
- their load capacitance (C)
- their voltage swing (V<sub>DD</sub>)

and is calculated by:

$$P_{EXT} = O \times C \times V_{DD}^2 \times f$$

The load capacitance should include the processor's package capacitance (C<sub>IN</sub>). The switching frequency includes driving the load high and then back low. Address and data pins can drive high and low at a maximum rate of 1/(2t<sub>CK</sub>). The write strobe can switch every cycle at a frequency of 1/t<sub>CK</sub>. Select pins switch at 1/(2t<sub>CK</sub>), but selects can switch on each cycle.

*Example:*

Estimate P<sub>EXT</sub> with the following assumptions:

- A system with one bank of external data memory RAM (32-bit)
- Four 128K × 8 RAM chips are used, each with a load of 10 pF
- External data memory writes occur every other cycle, a rate of 1/(4t<sub>CK</sub>), with 50% of the pins switching
- The instruction cycle rate is 40 MHz (t<sub>CK</sub> = 25 ns).

The P<sub>EXT</sub> equation is calculated for each class of pins that can drive:

**Table II. External Power Calculations (5 V Device)**

Pin Type	# of Pins	% Switching	× C	× f	× V <sub>DD</sub> <sup>2</sup> = P <sub>EXT</sub>
Address	15	50	× 44.7 pF	× 10 MHz	× 25 V = 0.084 W
MS0	1	0	× 44.7 pF	× 10 MHz	× 25 V = 0.000 W
WR	1	–	× 44.7 pF	× 20 MHz	× 25 V = 0.022 W
Data	32	50	× 14.7 pF	× 10 MHz	× 25 V = 0.059 W
ADDRCLK	1	–	× 4.7 pF	× 20 MHz	× 25 V = 0.002 W

$$P_{EXT} = 0.167 \text{ W}$$

**Table III. External Power Calculations (3.3 V Device)**

Pin Type	# of Pins	% Switching	× C	× f	× V <sub>DD</sub> <sup>2</sup> = P <sub>EXT</sub>
Address	15	50	× 44.7 pF	× 10 MHz	× 10.9 V = 0.037 W
MS0	1	0	× 44.7 pF	× 10 MHz	× 10.9 V = 0.000 W
WR	1	–	× 44.7 pF	× 20 MHz	× 10.9 V = 0.010 W
Data	32	50	× 14.7 pF	× 10 MHz	× 10.9 V = 0.026 W
ADDRCLK	1	–	× 4.7 pF	× 20 MHz	× 10.9 V = 0.001 W

$$P_{EXT} = 0.074 \text{ W}$$

A typical power consumption can now be calculated for these conditions by adding a typical internal power dissipation:

$$P_{TOTAL} = P_{EXT} + (I_{DDIN2} \times 5.0 \text{ V})$$

Note that the conditions causing a worst-case P<sub>EXT</sub> are different from those causing a worst-case P<sub>INT</sub>. Maximum P<sub>INT</sub> cannot occur while 100% of the output pins are switching from all ones to all zeros. Note also that it is not common for an application to have 100% or even 50% of the outputs switching simultaneously.

## TEST CONDITIONS

### Output Disable Time

Output pins are considered to be disabled when they stop driving, go into a high impedance state, and start to decay from their output high or low voltage. The time for the voltage on the bus to decay by ΔV is dependent on the capacitive load, C<sub>L</sub> and the load current, I<sub>L</sub>. This decay time can be approximated by the following equation:

$$t_{DECAY} = \frac{C_L \Delta V}{I_L}$$

The output disable time t<sub>DIS</sub> is the difference between t<sub>MEASURED</sub> and t<sub>DECAY</sub> as shown in Figure 25. The time t<sub>MEASURED</sub> is the interval from when the reference signal switches to when the output voltage decays ΔV from the measured output high or output low voltage. t<sub>DECAY</sub> is calculated with test loads C<sub>L</sub> and I<sub>L</sub>, and with ΔV equal to 0.5 V.

### Output Enable Time

Output pins are considered to be enabled when they have made a transition from a high impedance state to when they start driving. The output enable time t<sub>ENA</sub> is the interval from when a reference signal reaches a high or low voltage level to when the output has reached a specified high or low trip point, as shown in the Output Enable/Disable diagram (Figure 25). If multiple pins (such as the data bus) are enabled, the measurement value is that of the first pin to start driving.

# ADSP-21060/ADSP-21060L

## Example System Hold Time Calculation

To determine the data output hold time in a particular system, first calculate  $t_{DECAY}$  using the equation given above. Choose  $\Delta V$  to be the difference between the ADSP-2106x's output voltage and the input threshold for the device requiring the hold time. A typical  $\Delta V$  will be 0.4 V.  $C_L$  is the total bus capacitance (per data line), and  $I_L$  is the total leakage or three-state current (per data line). The hold time will be  $t_{DECAY}$  plus the minimum disable time (i.e.,  $t_{DATRWH}$  for the write cycle).

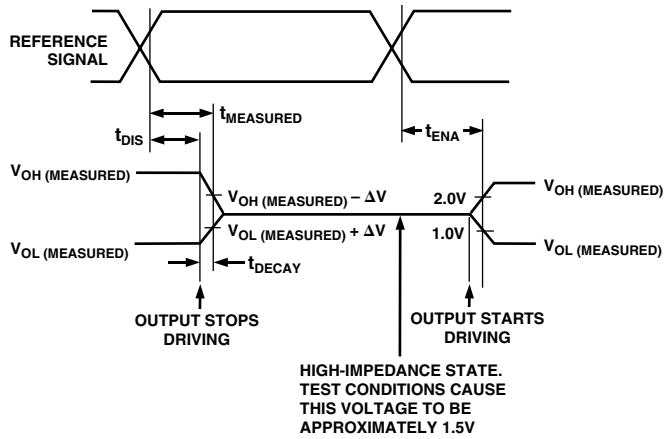


Figure 25. Output Enable/Disable

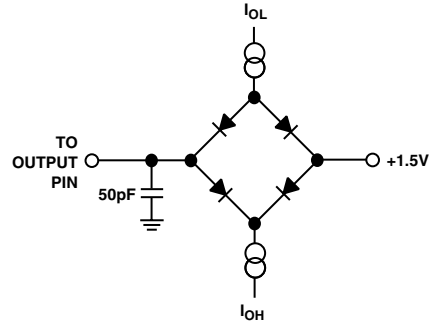


Figure 26. Equivalent Device Loading for AC Measurements (Includes All Fixtures)



Figure 27. Voltage Reference Levels for AC Measurements (Except Output Enable/Disable)

## Capacitive Loading

Output delays and holds are based on standard capacitive loads: 50 pF on all pins (see Figure 26). The delay and hold specifications given should be derated by a factor of 1.5 ns/50 pF for loads other than the nominal value of 50 pF. Figures 29–30, 33–34 show how output rise time varies with capacitance. Figures 31, 35 show graphically how output delays and holds vary with load capacitance. (Note that this graph or derating does not apply to output disable delays; see the previous section *Output Disable Time* under Test Conditions.) The graphs of Figures 29, 30 and 31 may not be linear outside the ranges shown.

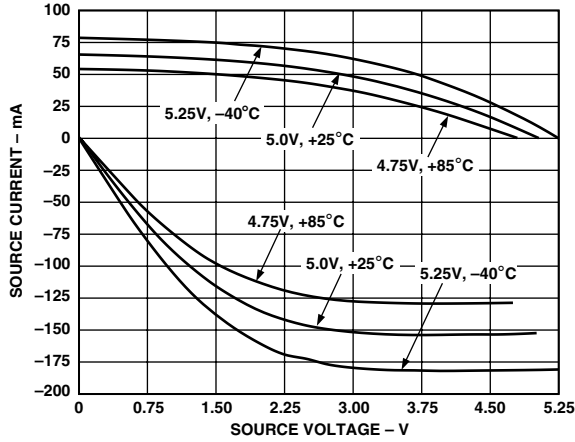


Figure 28. ADSP-2106x Typical Drive Currents ( $V_{DD} = 5\text{ V}$ )

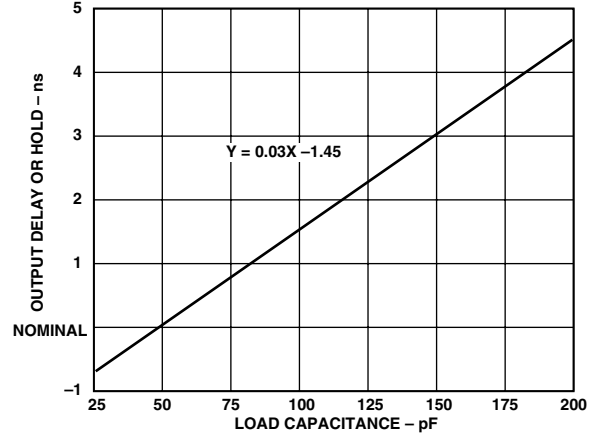


Figure 31. Typical Output Delay or Hold vs. Load Capacitance (at Maximum Case Temperature) ( $V_{DD} = 5\text{ V}$ )

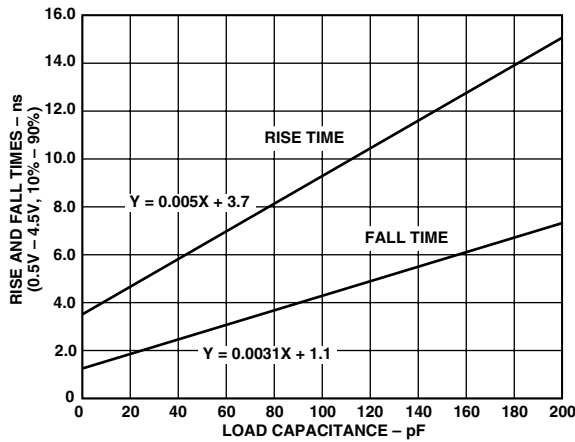


Figure 29. Typical Output Rise Time (10%–90%  $V_{DD}$ ) vs. Load Capacitance ( $V_{DD} = 5\text{ V}$ )

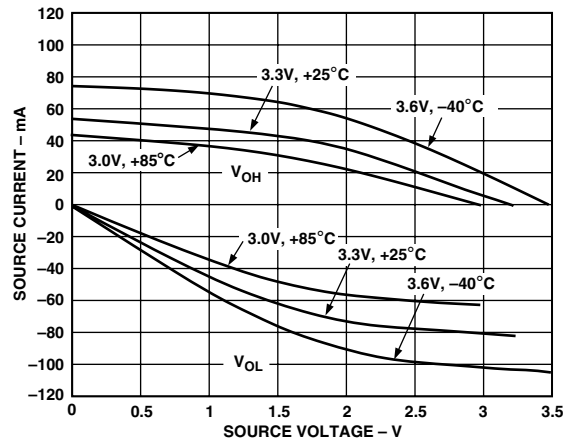


Figure 32. ADSP-2106x Typical Drive Currents ( $V_{DD} = 3.3\text{ V}$ )

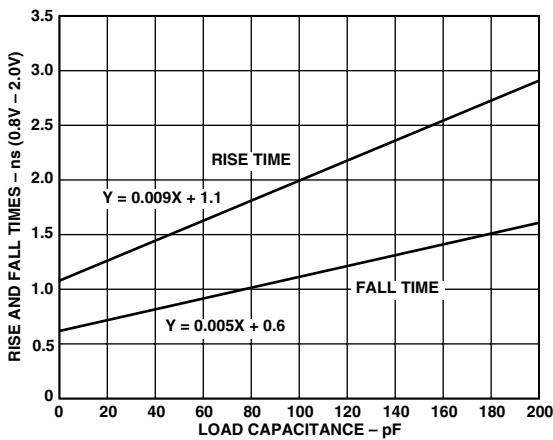


Figure 30. Typical Output Rise Time (0.8 V–2.0 V) vs. Load Capacitance ( $V_{DD} = 5\text{ V}$ )

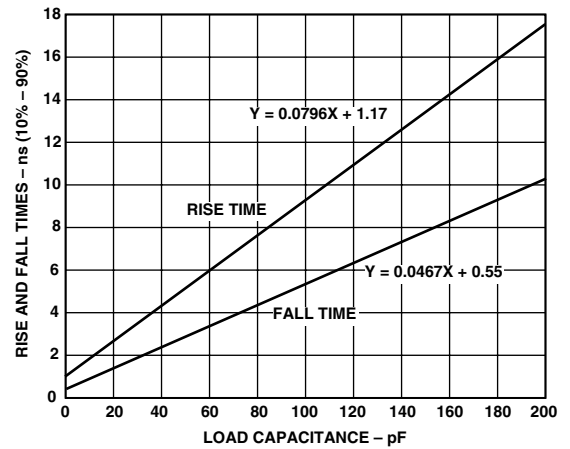


Figure 33. Typical Output Rise Time (10%–90%  $V_{DD}$ ) vs. Load Capacitance ( $V_{DD} = 3.3\text{ V}$ )

# ADSP-21060/ADSP-21060L

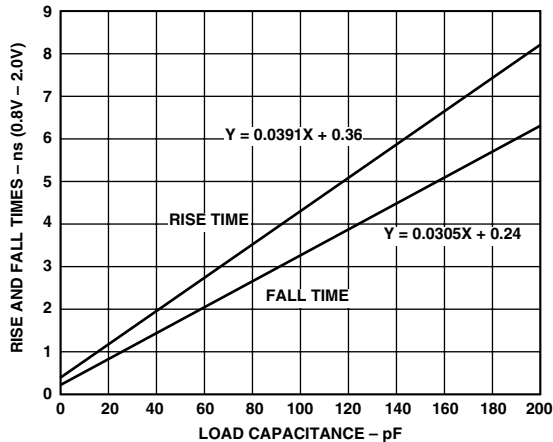


Figure 34. Typical Output Rise Time (0.8 V–2.0 V) vs. Load Capacitance ( $V_{DD} = 3.3\text{ V}$ )

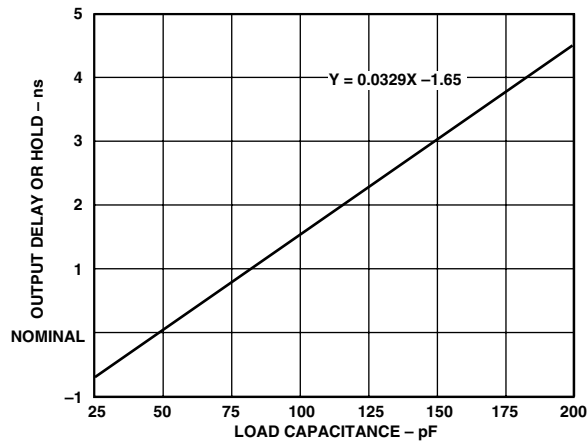


Figure 35. Typical Output Delay or Hold vs. Load Capacitance (at Maximum Case Temperature) ( $V_{DD} = 3.3\text{ V}$ )

## ENVIRONMENTAL CONDITIONS

### Thermal Characteristics

The ADSP-21060KS and ADSP-21060LKS are packaged in a 240-lead thermally enhanced MQFP. The top surface of the package contains a copper slug from which most of the die heat is dissipated. The slug is flush with the top surface of the package. Note that the copper slug is internally connected to GND through the device substrate. The ADSP-21060KB and ADSP-21060LKB are plastic ball grid arrays. The  $\theta_{JC}$  for the PBGA package is  $1.7^\circ\text{C}/\text{Q}$ .

The ADSP-2106x is specified for a case temperature ( $T_{CASE}$ ). To ensure that the  $T_{CASE}$  data sheet specification is not exceeded, a heatsink and/or an air flow source may be used. A heatsink should be attached with a thermal adhesive.

$$T_{CASE} = T_{AMB} + (PD \times \theta_{CA})$$

$T_{CASE}$  = Case temperature (measured on top surface of package)  
 $PD$  = Power dissipation in W (this value depends upon the specific application; a method for calculating  $PD$  is shown under Power Dissipation).  
 $\theta_{CA}, \theta_{CA}$  = Values from table below.

### Plastic Quad Flatpack Package

$\theta_{JC} = 0.3^\circ\text{C}/\text{W}$ Airflow (Linear Ft./Min.)	0	100	200	400	600
$\theta_{CA}$ ( $^\circ\text{C}/\text{W}$ )	10	9	8	7	6

#### NOTES

This represents thermal resistance at total power of 5 W.

With air flow, no variance is seen in  $\theta_{CA}$  with power.

$\theta_{CA}$  at 0 LFM varies with power: at 2W,  $\theta_{CA} = 14^\circ\text{C}/\text{W}$ ; at 3W  $\theta_{CA} = 11^\circ\text{C}/\text{W}$ .

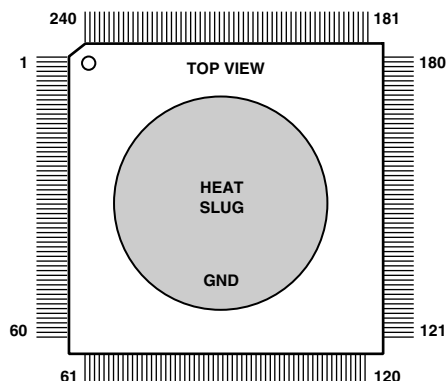
### PBGA Package

$\theta_{JC} = 1.7^\circ\text{C}/\text{W}$ Airflow (Linear Ft./Min.)	0	200	400
$\theta_{CA}$ ( $^\circ\text{C}/\text{W}$ )	20.7	15.3	12.9

#### NOTE

With air flow, no variance is seen in  $\theta_{CA}$  with power.

## 240-LEAD MQFP PIN CONFIGURATIONS



THE 240-LEAD PACKAGE CONTAINS A COPPER HEAT SLUG FLUSH WITH ITS TOP SURFACE. THE SLUG IS EITHER CONNECTED TO GROUND OR FLOATING.

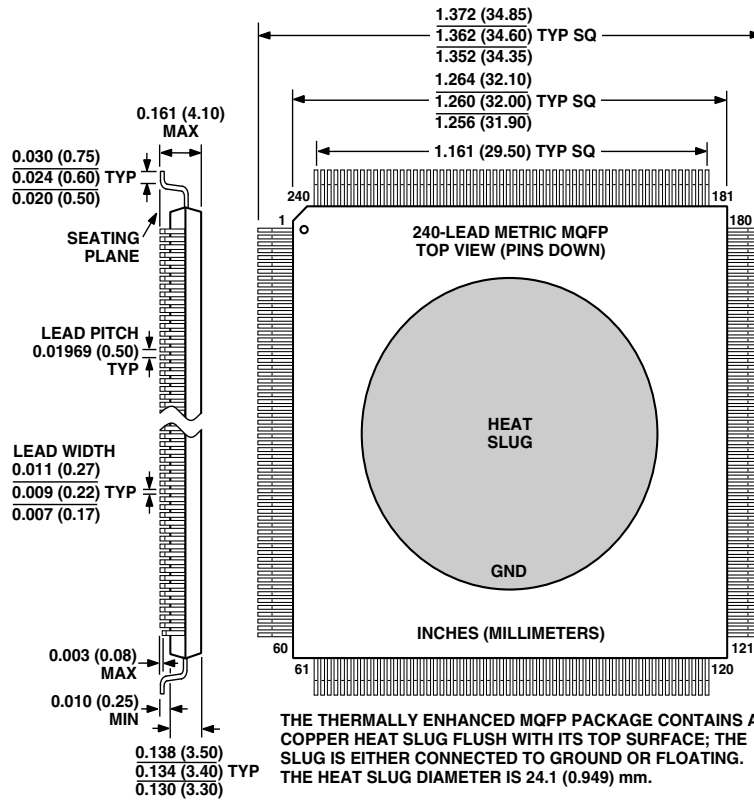
Pin No.	Pin Name	Pin No.	Pin Name	Pin No.	Pin Name	Pin No.	Pin Name	Pin No.	Pin Name	Pin No.	Pin Name
1	TDI	41	ADDR20	81	TCLK0	121	DATA41	161	DATA14	201	L2DAT0
2	TRST	42	ADDR21	82	TFS0	122	DATA40	162	DATA13	202	L2CLK
3	VDD	43	GND	83	DR0	123	DATA39	163	DATA12	203	L2ACK
4	TDO	44	ADDR22	84	RCLK0	124	VDD	164	GND	204	NC
5	TIMEXP	45	ADDR23	85	RFS0	125	DATA38	165	DATA11	205	VDD
6	EMU	46	ADDR24	86	VDD	126	DATA37	166	DATA10	206	L3DAT3
7	ICSA	47	VDD	87	VDD	127	DATA36	167	DATA9	207	L3DAT2
8	FLAG3	48	GND	88	GND	128	GND	168	VDD	208	L3DAT1
9	FLAG2	49	VDD	89	ADRCLK	129	NC	169	DATA8	209	L3DAT0
10	FLAG1	50	ADDR25	90	REDY	130	DATA35	170	DATA7	210	L3CLK
11	FLAG0	51	ADDR26	91	HBG	131	DATA34	171	DATA6	211	L3ACK
12	GND	52	ADDR27	92	CS	132	DATA33	172	GND	212	GND
13	ADDR0	53	GND	93	RD	133	VDD	173	DATA5	213	L4DAT3
14	ADDR1	54	MS3	94	WR	134	VDD	174	DATA4	214	L4DAT2
15	VDD	55	MS2	95	GND	135	GND	175	DATA3	215	L4DAT1
16	ADDR2	56	MS1	96	VDD	136	DATA32	176	VDD	216	L4DAT0
17	ADDR3	57	MS0	97	GND	137	DATA31	177	DATA2	217	L4CLK
18	ADDR4	58	SW	98	CLKIN	138	DATA30	178	DATA1	218	L4ACK
19	GND	59	BMS	99	ACK	139	GND	179	DATA0	219	VDD
20	ADDR5	60	ADDR28	100	DMAG2	140	DATA29	180	GND	220	GND
21	ADDR6	61	GND	101	DMAG1	141	DATA28	181	GND	221	VDD
22	ADDR7	62	VDD	102	PAGE	142	DATA27	182	L0DAT3	222	L5DAT3
23	VDD	63	VDD	103	VDD	143	VDD	183	L0DAT2	223	L5DAT2
24	ADDR8	64	ADDR29	104	BR6	144	VDD	184	L0DAT1	224	L5DAT1
25	ADDR9	65	ADDR30	105	BR5	145	DATA26	185	L0DAT0	225	L5DAT0
26	ADDR10	66	ADDR31	106	BR4	146	DATA25	186	L0CLK	226	L5CLK
27	GND	67	GND	107	BR3	147	DATA24	187	L0ACK	227	L5ACK
28	ADDR11	68	SPTS	108	BR2	148	GND	188	VDD	228	GND
29	ADDR12	69	DMAR2	109	BR1	149	DATA23	189	L1DAT3	229	ID2
30	ADDR13	70	DMAR1	110	GND	150	DATA22	190	L1DAT2	230	ID1
31	VDD	71	HBR	111	VDD	151	DATA21	191	L1DAT1	231	ID0
32	ADDR14	72	DT1	112	GND	152	VDD	192	L1DAT0	232	LBOOT
33	ADDR15	73	TCLK1	113	DATA47	153	DATA20	193	L1CLK	233	RPBA
34	GND	74	TFS1	114	DATA46	154	DATA19	194	L1ACK	234	RESET
35	ADDR16	75	DR1	115	DATA45	155	DATA18	195	GND	235	EBOOT
36	ADDR17	76	RCLK1	116	VDD	156	GND	196	GND	236	IRQ2
37	ADDR18	77	RFS1	117	DATA44	157	DATA17	197	VDD	237	IRQ1
38	VDD	78	GND	118	DATA43	158	DATA16	198	L2DAT3	238	IRQ0
39	VDD	79	CPA	119	DATA42	159	DATA15	199	L2DAT2	239	TCK
40	ADDR19	80	DT0	120	GND	160	VDD	200	L2DAT1	240	TMS

# ADSP-21060/ADSP-21060L

## PACKAGE DIMENSIONS

Dimensions shown in inches and (mm).

### 240-Lead MQFP



THE THERMALLY ENHANCED MQFP PACKAGE CONTAINS A COPPER HEAT SLUG FLUSH WITH ITS TOP SURFACE; THE SLUG IS EITHER CONNECTED TO GROUND OR FLOATING. THE HEAT SLUG DIAMETER IS 24.1 (0.949) mm.

NOTE:  
 THE ACTUAL POSITION OF EACH LEAD IS WITHIN (0.08) 0.0032 FROM ITS IDEAL POSITION WHEN MEASURED IN THE LATERAL DIRECTION.  
 CENTER FIGURES ARE TYPICAL UNLESS OTHERWISE NOTED

# ADSP-21060/ADSP-21060L

## 225-Ball Plastic Ball Grid Array (PBGA) Package Pinout

Ball #	Name	Ball #	Name	Ball #	Name	Ball #	Name	Ball #	Name
A01	$\overline{\text{BMS}}$	D01	ADDR25	G01	ADDR14	K01	ADDR6	N01	$\overline{\text{EMU}}$
A02	ADDR30	D02	ADDR26	G02	ADDR15	K02	ADDR5	N02	TDO
A03	$\overline{\text{DMAR2}}$	D03	$\overline{\text{MS2}}$	G03	ADDR16	K03	ADDR3	N03	$\overline{\text{IRQ0}}$
A04	DT1	D04	ADDR29	G04	ADDR19	K04	ADDR0	N04	$\overline{\text{IRQ1}}$
A05	RCLK1	D05	$\overline{\text{DMAR1}}$	G05	GND	K05	ICSA	N05	ID2
A06	TCLK0	D06	TFS1	G06	VDD	K06	GND	N06	L5DAT1
A07	RCLK0	D07	$\overline{\text{CPA}}$	G07	VDD	K07	VDD	N07	L4CLK
A08	ADRCLK	D08	$\overline{\text{HBG}}$	G08	VDD	K08	VDD	N08	L3CLK
A09	$\overline{\text{CS}}$	D09	$\overline{\text{DMAG2}}$	G09	VDD	K09	VDD	N09	L3DAT3
A10	CLKIN	D10	$\overline{\text{BR5}}$	G10	VDD	K10	GND	N10	L2DAT0
A11	PAGE	D11	$\overline{\text{BR1}}$	G11	GND	K11	GND	N11	L1ACK
A12	$\overline{\text{BR3}}$	D12	DATA40	G12	DATA22	K12	DATA8	N12	L1DAT3
A13	DATA47	D13	DATA37	G13	DATA25	K13	DATA11	N13	L0DAT3
A14	DATA44	D14	DATA35	G14	DATA24	K14	DATA13	N14	DATA1
A15	DATA42	D15	DATA34	G15	DATA23	K15	DATA14	N15	DATA3
B01	$\overline{\text{MS0}}$	E01	ADDR21	H01	ADDR12	L01	ADDR2	P01	$\overline{\text{TRST}}$
B02	$\overline{\text{SW}}$	E02	ADDR22	H02	ADDR11	L02	ADDR1	P02	TMS
B03	ADDR31	E03	ADDR24	H03	ADDR13	L03	FLAG0	P03	EBOOT
B04	$\overline{\text{HBR}}$	E04	ADDR27	H04	ADDR10	L04	FLAG3	P04	ID0
B05	DR1	E05	GND	H05	GND	L05	RPBA	P05	L5CLK
B06	DT0	E06	GND	H06	VDD	L06	GND	P06	L5DAT3
B07	DR0	E07	GND	H07	VDD	L07	GND	P07	L4DAT0
B08	REDY	E08	GND	H08	VDD	L08	GND	P08	L4DAT3
B09	$\overline{\text{RD}}$	E09	GND	H09	VDD	L09	GND	P09	L3DAT2
B10	ACK	E10	GND	H10	VDD	L10	GND	P10	L2CLK
B11	$\overline{\text{BR6}}$	E11	NC	H11	GND	L11	NC	P11	L2DAT2
B12	$\overline{\text{BR2}}$	E12	DATA33	H12	DATA18	L12	DATA4	P12	L1DAT0
B13	DATA45	E13	DATA30	H13	DATA19	L13	DATA7	P13	L0ACK
B14	DATA43	E14	DATA32	H14	DATA21	L14	DATA9	P14	L0DAT1
B15	DATA39	E15	DATA31	H15	DATA20	L15	DATA10	P15	DATA0
C01	$\overline{\text{MS3}}$	F01	ADDR17	J01	ADDR9	M01	FLAG1	R01	TCK
C02	$\overline{\text{MS1}}$	F02	ADDR18	J02	ADDR8	M02	FLAG2	R02	$\overline{\text{IRQ2}}$
C03	ADDR28	F03	ADDR20	J03	ADDR7	M03	TIMEXP	R03	$\overline{\text{RESET}}$
C04	$\overline{\text{SBTS}}$	F04	ADDR23	J04	ADDR4	M04	TDI	R04	ID1
C05	TCLK1	F05	GND	J05	GND	M05	LBOOT	R05	L5DAT0
C06	RFS1	F06	GND	J06	VDD	M06	L5ACK	R06	L4ACK
C07	TFS0	F07	VDD	J07	VDD	M07	L5DAT2	R07	L4DAT1
C08	RFS0	F08	VDD	J08	VDD	M08	L4DAT2	R08	L3ACK
C09	$\overline{\text{WR}}$	F09	VDD	J09	VDD	M09	L3DAT0	R09	L3DAT1
C10	$\overline{\text{DMAG1}}$	F10	GND	J10	VDD	M10	L2DAT3	R10	L2ACK
C11	$\overline{\text{BR4}}$	F11	GND	J11	GND	M11	L1DAT1	R11	L2DAT1
C12	DATA46	F12	DATA29	J12	DATA12	M12	L0DAT0	R12	L1CLK
C13	DATA41	F13	DATA26	J13	DATA15	M13	DATA2	R13	L1DAT2
C14	DATA38	F14	DATA28	J14	DATA16	M14	DATA5	R14	L0CLK
C15	DATA36	F15	DATA27	J15	DATA17	M15	DATA6	R15	L0DAT2

# ADSP-21060/ADSP-21060L

## 225-Plastic Ball Grid Array (PBGA) Package Pinout

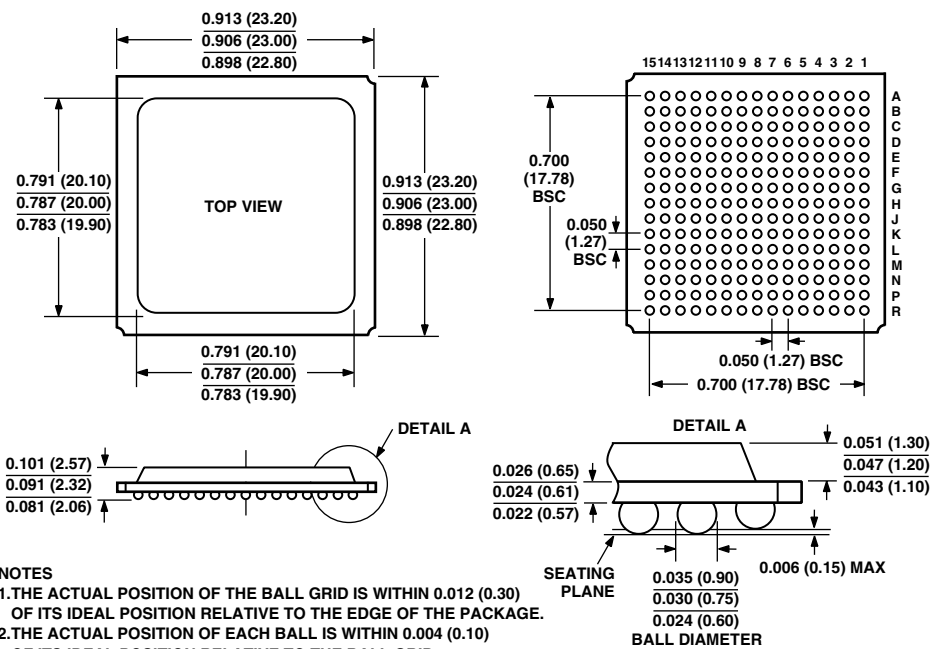
### Bottom View

15	14	13	12	11	10	9	8	7	6	5	4	3	2	1	
DATA42	DATA44	DATA47	$\overline{\text{BR}}_3$	PAGE	CLKIN	$\overline{\text{CS}}$	ADRCLK	RCLK0	TCLK0	RCLK1	DT1	$\overline{\text{DMAR}}_2$	ADDR30	$\overline{\text{BMS}}$	<b>A</b>
DATA39	DATA43	DATA45	$\overline{\text{BR}}_2$	$\overline{\text{BR}}_6$	ACK	$\overline{\text{RD}}$	REDY	DR0	DT0	DR1	$\overline{\text{HBR}}$	ADDR31	$\overline{\text{SW}}$	$\overline{\text{MS}}_0$	<b>B</b>
DATA36	DATA38	DATA41	DATA46	$\overline{\text{BR}}_4$	$\overline{\text{DMAG}}_1$	$\overline{\text{WR}}$	RFS0	TFS0	RFS1	TCLK1	$\overline{\text{SBTS}}$	ADDR28	$\overline{\text{MS}}_1$	$\overline{\text{MS}}_3$	<b>C</b>
DATA34	DATA35	DATA37	DATA40	$\overline{\text{BR}}_1$	$\overline{\text{BR}}_5$	$\overline{\text{DMAG}}_2$	$\overline{\text{HBG}}$	$\overline{\text{CPA}}$	TFS1	$\overline{\text{DMAR}}_1$	ADDR29	$\overline{\text{MS}}_2$	ADDR26	ADDR25	<b>D</b>
DATA31	DATA32	DATA30	DATA33	NC	GND	GND	GND	GND	GND	GND	ADDR27	ADDR24	ADDR22	ADDR21	<b>E</b>
DATA27	DATA28	DATA26	DATA29	GND	GND	VDD	VDD	VDD	GND	GND	ADDR23	ADDR20	ADDR18	ADDR17	<b>F</b>
DATA23	DATA24	DATA25	DATA22	GND	VDD	VDD	VDD	VDD	VDD	GND	ADDR19	ADDR16	ADDR15	ADDR14	<b>G</b>
DATA20	DATA21	DATA19	DATA18	GND	VDD	VDD	VDD	VDD	VDD	GND	ADDR10	ADDR13	ADDR11	ADDR12	<b>H</b>
DATA17	DATA16	DATA15	DATA12	GND	VDD	VDD	VDD	VDD	VDD	GND	ADDR4	ADDR7	ADDR8	ADDR9	<b>J</b>
DATA14	DATA13	DATA11	DATA8	GND	GND	VDD	VDD	VDD	GND	ICSA	ADDR0	ADDR3	ADDR5	ADDR6	<b>K</b>
DATA10	DATA9	DATA7	DATA4	NC	GND	GND	GND	GND	GND	RPBA	FLAG3	FLAG0	ADDR1	ADDR2	<b>L</b>
DATA6	DATA5	DATA2	L0DAT0	L1DAT1	L2DAT3	L3DAT0	L4DAT2	L5DAT2	L5ACK	LBOOT	TDI	TIMEXP	FLAG2	FLAG1	<b>M</b>
DATA3	DATA1	L0DAT3	L1DAT3	L1ACK	L2DAT0	L3DAT3	L3CLK	L4CLK	L5DAT1	ID2	$\overline{\text{IRQ}}_1$	$\overline{\text{IRQ}}_0$	TDO	$\overline{\text{EMU}}$	<b>N</b>
DATA0	L0DAT1	L0ACK	L1DAT0	L2DAT2	L2CLK	L3DAT2	L4DAT3	L4DAT0	L5DAT3	L5CLK	ID0	EBOOT	TMS	$\overline{\text{TRST}}$	<b>P</b>
L0DAT2	L0CLK	L1DAT2	L1CLK	L2DAT1	L2ACK	L3DAT1	L3ACK	L4DAT1	L4ACK	L5DAT0	ID1	$\overline{\text{RESET}}$	$\overline{\text{IRQ}}_2$	TCK	<b>R</b>

## PACKAGE DIMENSIONS

Dimensions shown in inches and (mm).

### 225-Plastic Ball Grid Array (PBGA)



### ORDERING GUIDE

Part Number	Case Temperature Range	Instruction Rate	On-Chip SRAM	Operating Voltage	Package Options
ADSP-21060KS-133	0°C to +85°C	33 MHz	4 Mbit	5 V	MQFP
ADSP-21060KS-160	0°C to +85°C	40 MHz	4 Mbit	5 V	MQFP
ADSP-21060KB-160	0°C to +85°C	40 MHz	4 Mbit	5 V	PBGA
ADSP-21060LKS-133	0°C to +85°C	33 MHz	4 Mbit	3.3 V	MQFP
ADSP-21060LKS-160	0°C to +85°C	40 MHz	4 Mbit	3.3 V	MQFP
ADSP-21060LKB-160	0°C to +85°C	40 MHz	4 Mbit	3.3 V	PBGA
ADSP-21060LAB-160	-40°C to +85°C	40 MHz	4 Mbit	3.3 V	PBGA



LittleDiode supplies new, hard to find or obsolete electronic components and semiconductors all over the world.

With over two million different components listed you are sure to find the part you need.

Feel free to visit us today at our online store:

[LittleDiode.com](http://LittleDiode.com)

Looking forward to providing you with the best possible service.