



AK5394A

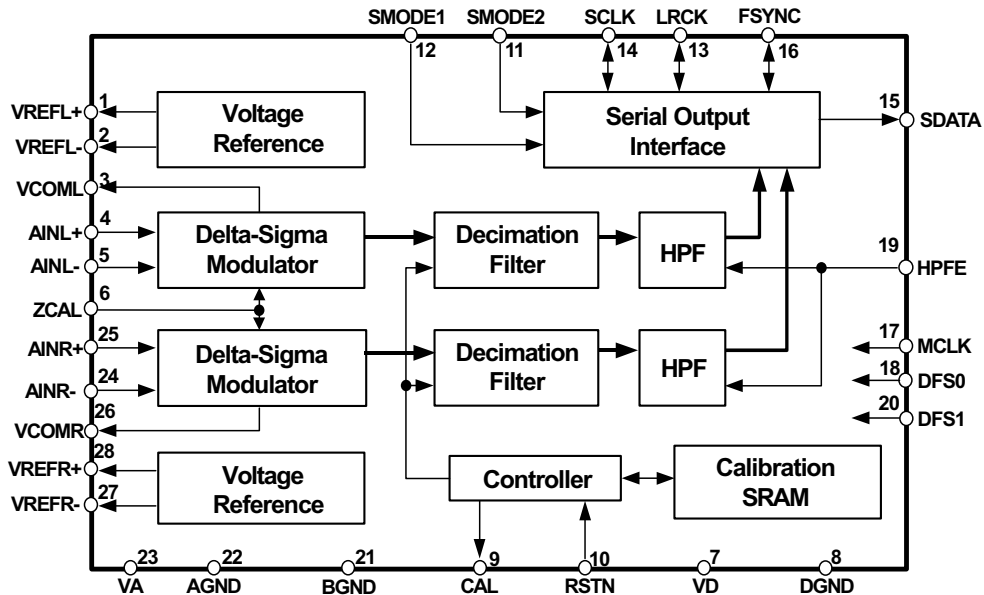
Super High Performance 192kHz 24-Bit $\Delta\Sigma$ ADC

GENERAL DESCRIPTION

The AK5394A is a 24bit, 192kHz sampling 2ch A/D Converter for professional digital audio systems. The modulator in the AK5394A uses the new developed advanced multi bit architecture. This new architecture achieves the wide dynamic range and wide bandwidth, while keeping superior distortion characteristics. The AK5394A performs 123dB dynamic range, so the device is suitable for professional studio equipment such as digital mixer, digital VTR etc. The operating voltages support analog 5V and digital 3.3V, so it is easy to I/F with 3.3V logic IC.

FEATURES

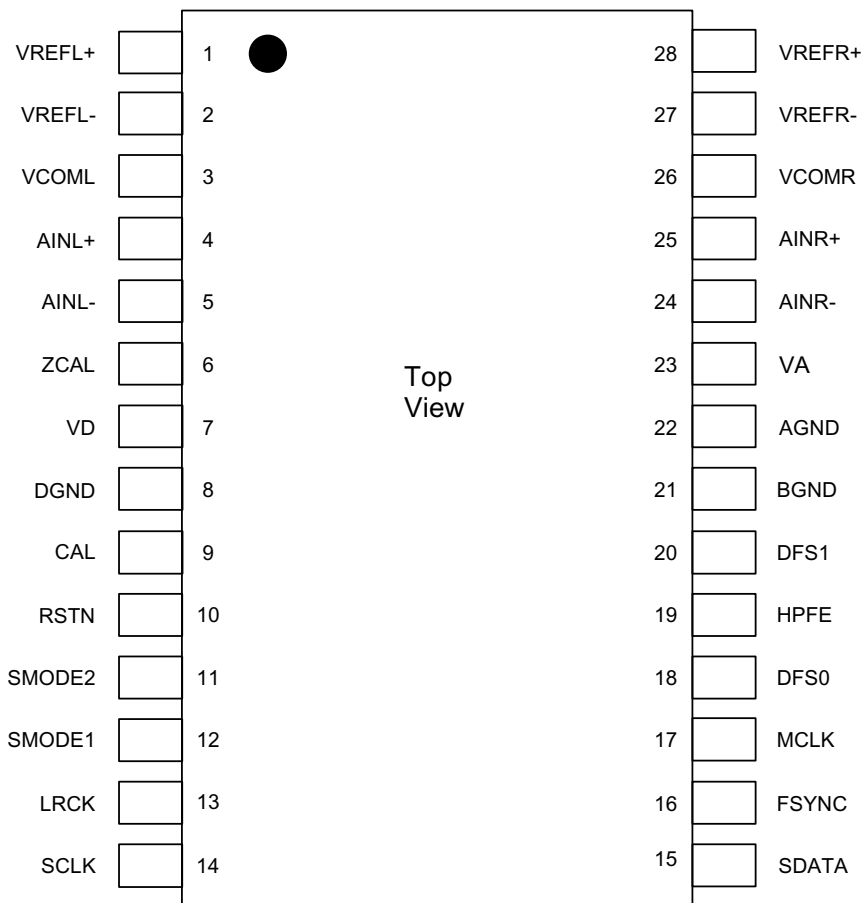
- 128x Oversampling
- New advanced multi bit Architecture ADC
- Sampling Rate: 1kHz ~ 216kHz
- Full Differential Inputs
- S/(N+D): 110dB
- DR: 123dB
- S/N: 123dB
- High Performance Linear Phase Digital Anti-Alias filter
 - Passband: 0 ~ 21.768kHz(@fs=48kHz)
 - Ripple: 0.001dB
 - Stopband: 120dB
- Digital HPF & Offset Calibration for Offset Cancel
- Power Supply: 5V±5%(Analog), 3 ~ 5.25V(Digital)
- Power Dissipation: 665mW
- Package: 28pin SOP
- AK5392/3 Semi-Pin Compatible



■ Ordering Guide

AK5394AVS -10 ~ +70°C 28pin SOP
 AKD5394A AK5394A Evaluation Board

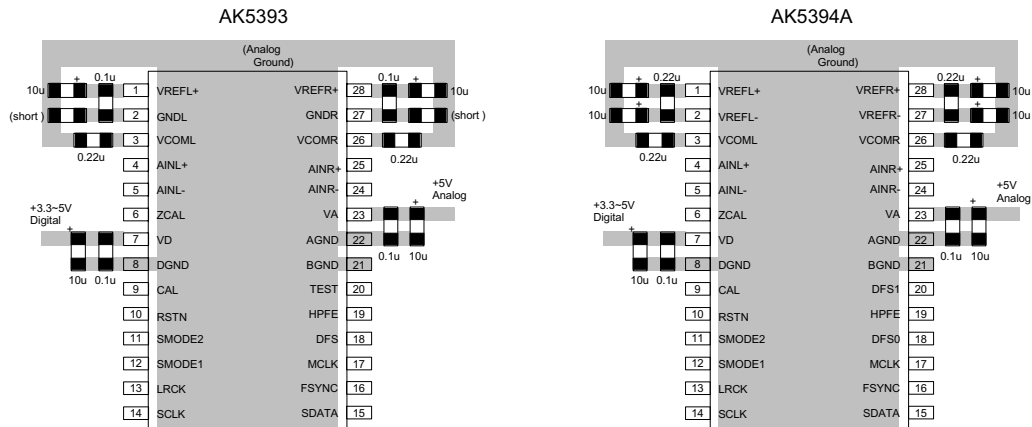
■ Pin Layout



■ Compatibility with AK5392/3

| | AK5394A | AK5393 | AK5392 |
|----------------|---------|--------|----------------|
| Pin 2 | VREFL- | GNDL | GNDL |
| Pin 18 | DFS0 | DFS | CMODE |
| Pin 20 | DFS1 | TEST | TEST |
| Pin 27 | VREFR- | GNDR | GNDR |
| fs (max) | 216kHz | 108kHz | 54kHz |
| MCLK at 48kHz | 256fs | 256fs | 256fs or 384fs |
| MCLK at 96kHz | 128fs | 128fs | N/A |
| MCLK at 192kHz | 64fs | N/A | N/A |
| DR | 123dB | 117dB | 116dB |
| S/N | 123dB | 117dB | 116dB |

■ Common PCB layout example between AK5393 and AK5394A



| Pin# | AK5393 | AK5394A |
|------|-------------------|--|
| 2 | GNDL | VREFL- |
| | Connected to AGND | Connected to AGND with a 10uF electrolytic capacitor, and connected to VREFL+ with a 0.22uF ceramic capacitor. |
| 18 | DFS | DFS0 |
| 20 | TEST | DFS1 |
| 27 | GNDR | VREFR- |
| | Connected to AGND | Connected to AGND with a 10uF electrolytic capacitor, and connected to VREFR+ with a 0.22uF ceramic capacitor. |

| PIN/FUNCTION | | | |
|--------------|----------|-----|---|
| No. | Pin Name | I/O | Function |
| 1 | VREFL+ | O | Lch Positive Reference Voltage, 3.75V Normally connected to AGND with a large electrolytic capacitor and connected to VREFL- with a 0.22μF ceramic capacitor. |
| 2 | VREFL- | O | Lch Negative Reference Voltage, 1.25V Normally connected to AGND with a large electrolytic capacitor and connected to VREFL+ with a 0.22μF ceramic capacitor. |
| 3 | VCOML | O | Lch Common Voltage Pin, 2.75V |
| 4 | AINL+ | I | Lch Analog positive input Pin |
| 5 | AINL- | I | Lch Analog negative input Pin |
| 6 | ZCAL | I | Zero Calibration Control Pin This pin controls the calibration reference signal. “L” : VCOML and VCOMR “H” : Analog Input Pins (AINL±, AINR±) |
| 7 | VD | - | Digital Power Supply Pin, 3.3V |
| 8 | DGND | - | Digital Ground Pin, 0V |
| 9 | CAL | O | Calibration Active Signal Pin “H” means the offset calibration cycle is in progress. Offset calibration starts when RSTN pin goes “H”. CAL goes “L” after 8704 LRCK cycles for DFS pin = “L”, 17408 LRCK cycles for DFS pin = “H”. |
| 10 | RSTN | I | Reset Pin When “L”, the digital section is powered-down. Upon returning “H”, an offset calibration cycle is started. An offset calibration cycle should always be initiated after power-up. |
| 11 | SMODE2 | I | Serial Interface Mode Select Pin MSB first, 2's compliment. SMODE2 SMODE1 MODE LRCK L L Slave mode : MSB justified : H/L L H Master mode : Similar to I ² S : H/L H L Slave mode : I ² S : L/H H H Master mode : I ² S : L/H |
| 12 | SMODE1 | I | |
| | | | |
| | | | |
| 13 | LRCK | I/O | Left/Right Channel Select Clock Pin When RSTN pin = “L” in master mode, LRCK outputs “L”. |

| 14 | SCLK | I/O | Serial Data Clock Pin SDATA is clocked out on the falling edge of SCLK. Slave mode: SCLK requires more than 48fs clock. Master mode: AK5394A outputs following clocks as SCLK. Normal Speed Mode: 128fs Double Speed Mode: 64fs Quad Speed Mode: 64fs When RSTN pin = "L", SCLK outputs "L"(normal/double speed mode) or outputs the inverted MCLK (quad speed mode). | | | | | | | | | | | | | | | | | | | | |
|------|--------|---------|---|------|------|---------|---------|---|-------|-------|-------|-------|---|-------|--------|---|---|-------|--------|---|---|-------|-------|
| 15 | SDATA | O | Serial Data Output Pin MSB first, 2's complement. | | | | | | | | | | | | | | | | | | | | |
| 16 | FSYNC | I/O | Frame Synchronization Signal Pin Slave mode: When "H", the data bits are clocked out on SDATA. In I ² S mode, FSYNC is don't care. Master mode: FSYNC outputs 2fs clock. FSYNC stays "L" during reset. | | | | | | | | | | | | | | | | | | | | |
| 17 | MCLK | I | Master Clock Input Pin <table border="1"> <thead> <tr> <th>DFS1</th> <th>DFS0</th> <th>MCLK</th> <th>fs(typ)</th> </tr> </thead> <tbody> <tr> <td>L</td> <td>L</td> <td>256fs</td> <td>48kHz</td> </tr> <tr> <td>L</td> <td>H</td> <td>128fs</td> <td>96kHz</td> </tr> <tr> <td>H</td> <td>L</td> <td>64fs</td> <td>192kHz</td> </tr> <tr> <td>H</td> <td>H</td> <td>(N/A)</td> <td>(N/A)</td> </tr> </tbody> </table> | DFS1 | DFS0 | MCLK | fs(typ) | L | L | 256fs | 48kHz | L | H | 128fs | 96kHz | H | L | 64fs | 192kHz | H | H | (N/A) | (N/A) |
| DFS1 | DFS0 | MCLK | fs(typ) | | | | | | | | | | | | | | | | | | | | |
| L | L | 256fs | 48kHz | | | | | | | | | | | | | | | | | | | | |
| L | H | 128fs | 96kHz | | | | | | | | | | | | | | | | | | | | |
| H | L | 64fs | 192kHz | | | | | | | | | | | | | | | | | | | | |
| H | H | (N/A) | (N/A) | | | | | | | | | | | | | | | | | | | | |
| 18 | DFS0 | I | Sampling Speed Select Pin 0 <table border="1"> <thead> <tr> <th>DFS1</th> <th>DFS0</th> <th>fs(typ)</th> </tr> </thead> <tbody> <tr> <td>L</td> <td>L</td> <td>48kHz</td> </tr> <tr> <td>L</td> <td>H</td> <td>96kHz</td> </tr> <tr> <td>H</td> <td>L</td> <td>192kHz</td> </tr> <tr> <td>H</td> <td>H</td> <td>(N/A)</td> </tr> </tbody> </table> | DFS1 | DFS0 | fs(typ) | L | L | 48kHz | L | H | 96kHz | H | L | 192kHz | H | H | (N/A) | | | | | |
| DFS1 | DFS0 | fs(typ) | | | | | | | | | | | | | | | | | | | | | |
| L | L | 48kHz | | | | | | | | | | | | | | | | | | | | | |
| L | H | 96kHz | | | | | | | | | | | | | | | | | | | | | |
| H | L | 192kHz | | | | | | | | | | | | | | | | | | | | | |
| H | H | (N/A) | | | | | | | | | | | | | | | | | | | | | |
| 19 | HPFE | I | High Pass Filter Enable Pin "L": Disable "H": Enable | | | | | | | | | | | | | | | | | | | | |
| 20 | DFS1 | I | Sampling Speed Select Pin 1 (see #18 DFS0) | | | | | | | | | | | | | | | | | | | | |
| 21 | BGND | - | Substrate Ground Pin, 0V | | | | | | | | | | | | | | | | | | | | |
| 22 | AGND | - | Analog Ground Pin, 0V | | | | | | | | | | | | | | | | | | | | |
| 23 | VA | - | Analog Supply Pin, 5V | | | | | | | | | | | | | | | | | | | | |
| 24 | AINR- | I | Rch Analog negative input Pin | | | | | | | | | | | | | | | | | | | | |
| 25 | AINR+ | I | Rch Analog positive input Pin | | | | | | | | | | | | | | | | | | | | |
| 26 | VCOMR | O | Rch Common Voltage Pin, 2.75V | | | | | | | | | | | | | | | | | | | | |
| 27 | VREFR- | O | Rch Negative Reference Voltage, 1.25V Normally connected to AGND with a large electrolytic capacitor and connected to VREFR+ with a 0.22μF ceramic capacitor. | | | | | | | | | | | | | | | | | | | | |
| 28 | VREFR+ | O | Rch Positive Reference Voltage, 3.75V Normally connected to AGND with a large electrolytic capacitor and connected to VREFR- with a 0.22μF ceramic capacitor. | | | | | | | | | | | | | | | | | | | | |

Note: All digital inputs should not be left floating.

| |
|---------------------------------|
| ABSOLUTE MAXIMUM RATINGS |
|---------------------------------|

(AGND, BGND, DGND = 0V; Note 1)

| Parameter | Symbol | min | max | Units |
|---|--------------|------|----------|-------|
| Power Supplies: Analog Digital BGND-DGND (Note 2) | VA | -0.3 | 6.0 | V |
| | VD | -0.3 | 6.0 | V |
| | Δ GND | - | 0.3 | V |
| Input Current, Any Pin Except Supplies | IIN | - | \pm 10 | mA |
| Analog Input Voltage | VINA | -0.3 | VA+0.3 | V |
| Digital Input Voltage | VIND | -0.3 | VD+0.3 | V |
| Ambient Temperature (power applied) | Ta | -10 | 70 | °C |
| Storage Temperature | Tstg | -65 | 150 | °C |

Notes: 1. All voltages with respect to ground.

2. AGND, BGND and DGND must be connected to the same analog ground plane.

WARNING: Operation at or beyond these limits may result in permanent damage to the device.

Normal operation is not guaranteed at these extremes.

| |
|---|
| RECOMMENDED OPERATING CONDITIONS |
|---|

(AGND, BGND, DGND = 0V; Note 1)

| Parameter | Symbol | min | typ | max | Units |
|--|--------|------|-----|------|-------|
| Power Supplies: Analog (Note 3) Digital | VA | 4.75 | 5.0 | 5.25 | V |
| | VD | 3.0 | 3.3 | 5.25 | V |

Notes: 1. All voltages with respect to ground.

3. The power up sequence between VA and VD is not critical.

* AKM assumes no responsibility for the usage beyond the conditions in this data sheet.

| |
|-------------------------------|
| ANALOG CHARACTERISTICS |
|-------------------------------|

(Ta = 25°C; VA=5.0V; VD=3.3V; AGND=BGND=DGND=0V; fs=48kHz; Signal Frequency=1kHz; 24bit Output; Measurement frequency=10Hz ~ 20kHz; DFS0="L", DFS1="L"; External circuit: Figure 9 Inputted through XLR; unless otherwise specified)

| Parameter | | min | Typ | Max | Units | |
|--|---|----------------|------|-------|-----------------------|-------------------|
| Resolution | | | | 24 | Bits | |
| Analog Input Characteristics: | | | | | | |
| S/(N+D) | fs=48kHz | -1dBFS (Note4) | - | 110 | | dB |
| | | -1dBFS | 87 | 94 | | dB |
| | | -20dBFS | - | 100 | | dB |
| | | -60dBFS | - | 60 | | dB |
| | fs=96kHz BW=40kHz | -1dBFS (Note4) | - | 110 | | dB |
| | | -1dBFS | 87 | 94 | | dB |
| | | -20dBFS | - | 97 | | dB |
| | | -60dBFS | - | 57 | | dB |
| | fs=192kHz BW=80kHz | -1dBFS | - | 94 | | dB |
| | | -20dBFS | - | 92 | | dB |
| | | -60dBFS | - | 52 | | dB |
| | Dynamic Range (-60dBFS with A-weighted) | | 117 | 123 | | dB |
| | | (Note4) | - | 120 | dB | |
| S/N (A-weighted) | | 117 | 123 | | dB | |
| | | (Note4) | - | 120 | dB | |
| Interchannel Isolation | | 110 | 120 | | dB | |
| Interchannel Gain Mismatch | | | 0.1 | 0.5 | dB | |
| Gain Drift | | | 150 | | ppm/°C | |
| Offset Error | After calibration, HPF=OFF | | | ±1000 | - | LSB ₂₄ |
| | After calibration, HPF=ON | | | ±1 | - | LSB ₂₄ |
| Offset Drift (HPF=OFF) | | - | ±10 | - | LSB ₂₄ /°C | |
| Offset Calibration Range (HPF=OFF) (Note5) | | | ±50 | | mV | |
| Input Voltage (AIN+) - (AIN-) | | ±2.25 | ±2.4 | ±2.55 | V | |
| Power Supplies: | | | | | | |
| Power Supply Current | | | | | | |
| VA | | | 127 | 165 | mA | |
| VD (fs=48kHz; DFS0="L", DFS1="L") | | | 9 | 13.5 | mA | |
| (fs=96kHz; DFS0="H", DFS1="L") | | | 13 | 20 | mA | |
| (fs=192kHz; DFS0="L", DFS1="H") | | | 21 | 32 | mA | |
| Power Dissipation | | | 665 | 870 | mW | |
| Power Supply Rejection (Note 6) | | | 70 | | dB | |

Notes: 4. Using the circuit as shown in Figure9 (Analog input buffer circuit example 1). 1000μF capacitors connected between VREF+/- pin and GND.

5. The output level reduces equivalent to DC offset after calibration.

6. PSRR is applied to VA and VD with 1kHz, 20mVpp.

FILTER CHARACTERISTICS (fs=48kHz)

(Ta=25°C; VA=5.0V±5%; VD=3.0 ~ 5.25V; fs=48kHz, DFS0="L", DFS1="L")

| Parameter | Symbol | min | typ | max | Units |
|--|--------|--------|-----|--------|-------|
| ADC Digital Filter(Decimation LPF): | | | | | |
| Passband (Note 7) | PB | 0 | | 21.768 | kHz |
| Stopband (Note 7) | SB | 26.232 | | | kHz |
| Passband Ripple | PR | | | ±0.001 | dB |
| Stopband Attenuation (Note 8) | SA | 120 | | | dB |
| Group Delay Distortion | ΔGD | | 0 | | μs |
| Group Delay (Note 9) | GD | | 63 | | 1/fs |
| ADC Digital Filter(HPF): | | | | | |
| Frequency response (Note 7) | | FR | | 1.0 | Hz |
| | | | | -0.1dB | 6.5 |

FILTER CHARACTERISTICS (fs=96kHz)

(Ta=25°C; VA=5.0V±5%; VD=3.0 ~ 5.25V; fs=96kHz, DFS0="H", DFS1="L")

| Parameter | Symbol | min | typ | max | Units |
|--|--------|--------|-----|--------|-------|
| ADC Digital Filter(Decimation LPF): | | | | | |
| Passband (Note 7) | PB | 0 | | 43.536 | kHz |
| Stopband (Note 7) | SB | 52.464 | | | kHz |
| Passband Ripple | PR | | | ±0.003 | dB |
| Stopband Attenuation (Note 10) | SA | 120 | | | dB |
| Group Delay Distortion | ΔGD | | 0 | | μs |
| Group Delay (Note 9) | GD | | 63 | | 1/fs |
| ADC Digital Filter(HPF): | | | | | |
| Frequency response (Note 7) | | FR | | 1.0 | Hz |
| | | | | -0.1dB | 6.5 |

FILTER CHARACTERISTICS (fs=192kHz)

(Ta=25°C; VA=5.0V±5%; VD=3.0 ~ 5.25V; fs=192kHz, DFS0="L", DFS1="H")

| Parameter | Symbol | min | typ | max | Units |
|--|--------|---------|-----|--------|-------|
| ADC Digital Filter(Decimation LPF): | | | | | |
| Passband (Note 7) | PB | 0 | | 87.072 | kHz |
| Stopband (Note 8) | SB | 104.928 | | | kHz |
| Passband Ripple | PR | | | ±0.007 | dB |
| Stopband Attenuation (Note 11) | SA | 120 | | | dB |
| Group Delay Distortion | ΔGD | | 0 | | μs |
| Group Delay (Note 9) | GD | | 63 | | 1/fs |
| ADC Digital Filter(HPF): | | | | | |
| Frequency response (Note 7) | | FR | | 1.0 | Hz |
| | | | | -0.1dB | 6.5 |

- Notes: 7. The passband and stopband frequencies are proportional to f_s .
8. The analog modulator samples the input at 6.144MHz for an output word rate of 48kHz.
There is no rejection of input signals which are multiples of the sampling frequency (that is: there is no rejection for $n \times 6.144\text{MHz} \pm 21.768\text{kHz}$, where $n=1,2,3\cdots$).
9. The calculating delay time which takes place due to the digital filtering process. This time is taken from when the analog signal is input, to the time of setting the 24-bit data (from both channels) to the output register.
65/fs typ. (normal/double/quad speed mode) at HPF=ON.
10. The analog modulator samples the input at 6.144MHz for an output word rate of 96kHz.
There is no rejection of input signals which are multiples of the sampling frequency (that is: there is no rejection for $n \times 6.144\text{MHz} \pm 43.536\text{kHz}$, where $n=1,2,3\cdots$).
11. The analog modulator samples the input at 6.144MHz for an output word rate of 192kHz.
There is no rejection of input signals which are multiples of the sampling frequency (that is: there is no rejection for $n \times 6.144\text{MHz} \pm 87.072\text{kHz}$, where $n=1,2,3\cdots$).

| |
|--------------------------------|
| DIGITAL CHARACTERISTICS |
|--------------------------------|

($T_a=25^\circ\text{C}$; $V_A=5.0\text{V} \pm 5\%$; $V_D = 3.0 \sim 5.25\text{V}$)

| Parameter | Symbol | min | typ | max | Units |
|---|----------|--------|-----|----------|---------------|
| High-Level Input Voltage | V_{IH} | 70%VD | - | - | V |
| Low-Level Input Voltage | V_{IL} | - | - | 30%VD | V |
| High-Level Output Voltage $I_{out}=-100\mu\text{A}$ | V_{OH} | VD-0.5 | - | - | V |
| Low-Level Output Voltage $I_{out}= 100\mu\text{A}$ | V_{OL} | - | - | 0.5 | V |
| Input Leakage Current | I_{in} | - | - | ± 10 | μA |

| SWITCHING CHARACTERISTICS | | | | | |
|--|--------|---------|--------|--------|-------|
| (Ta=25°C; VA=5.0V±5%; VD=3.0 ~ 5.25V; CL=20pF) | | | | | |
| Parameter | Symbol | min | typ | max | Units |
| Control Clock Frequency | | | | | |
| Master Clock | fCLK | 0.256 | 12.288 | 13.824 | MHz |
| Pulse width Low | tCLKL | 29 | | | ns |
| Pulse width High | tCLKH | 29 | | | ns |
| Serial Data Output Clock (SCLK) | fSLK | | 6.144 | 13.824 | MHz |
| Channel Select Clock (LRCK) | fs | 1 | 48 | 216 | kHz |
| duty cycle | | 25 | | 75 | % |
| Serial Interface Timing (Note 12) | | | | | |
| Slave Mode (SMODE1 = "L") | | | | | |
| SCLK Period (Note 13) | | | | | |
| Normal Speed Mode | tSLK | 1/128fs | | | ns |
| Double Speed Mode | tSLK | 1/64fs | | | ns |
| Quad Speed Mode | tSLK | 1/64fs | | | ns |
| SCLK Pulse width Low | tSLKL | 33 | | | ns |
| Pulse width High | tSLKH | 33 | | | ns |
| SCLK rising to LRCK Edge (Note 14) | tSLR | 20 | | | ns |
| LRCK Edge to SCLK rising (Note 14) | tLRS | 20 | | | ns |
| LRCK Edge to SDATA MSB Valid | tDLR | | | 20 | ns |
| SCLK falling to SDATA Valid | tDSS | | | 20 | ns |
| SCLK falling to FSYNC Edge | tSF | -20 | | 20 | ns |
| Master Mode (SMODE1 = "H") | | | | | |
| SCLK Frequency | | | | | |
| Normal Speed Mode | fSLK | | 128fs | | Hz |
| Double Speed Mode | fSLK | | 64fs | | Hz |
| Quad Speed Mode | fSLK | | 64fs | | Hz |
| SCLK duty cycle | dSLK | | 50 | | % |
| FSYNC Frequency | fFSYNC | | 2fs | | Hz |
| FSYNC duty cycle | dFSYNC | | 50 | | % |
| SCLK falling to LRCK Edge | tMSLR | -20 | | 20 | ns |
| LRCK Edge to FSYNC rising | tLRF | | 1 | | tSLK |
| SCLK falling to SDATA Valid | tDSS | | | 20 | ns |
| SCLK falling to FSYNC Edge | tSF | -20 | | 20 | ns |
| Reset / Calibration timing | | | | | |
| RSTN Pulse width | tRTW | 150 | | | ns |
| RSTN falling to CAL rising | tRCR | | | 50 | ns |
| RSTN rising to CAL falling (Note 15) | | | | | |
| Normal Speed Mode | tRCF | | 8704 | | 1/fs |
| Double Speed Mode | tRCF | | 17408 | | 1/fs |
| Quad Speed Mode | tRCF | | 34816 | | 1/fs |
| RSTN rising to SDATA Valid (Note 15) | | | | | |
| Normal Speed Mode | tRTV | | 8719 | | 1/fs |
| Double Speed Mode | tRTV | | 17423 | | 1/fs |
| Quad Speed Mode | tRTV | | 34831 | | 1/fs |

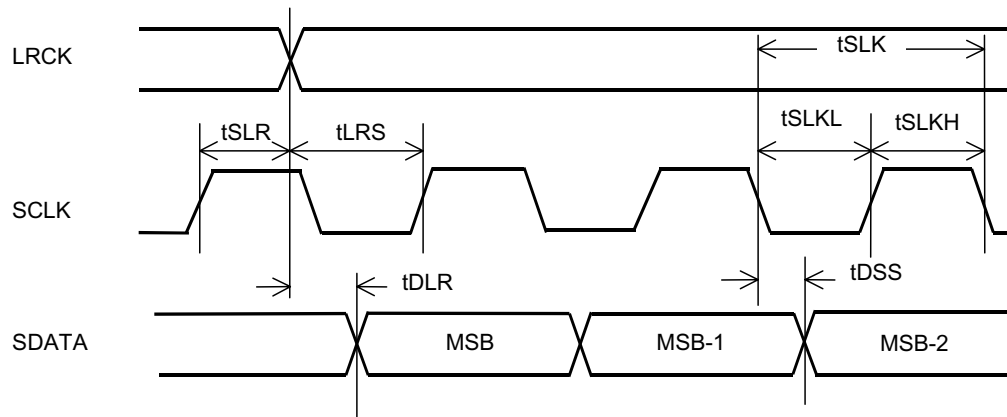
Notes: 12. Refer to Serial Data Interface Section.

13. At Slave Mode, SCLK must be continuously provided more than 16fs at LRCK="H" and "L".

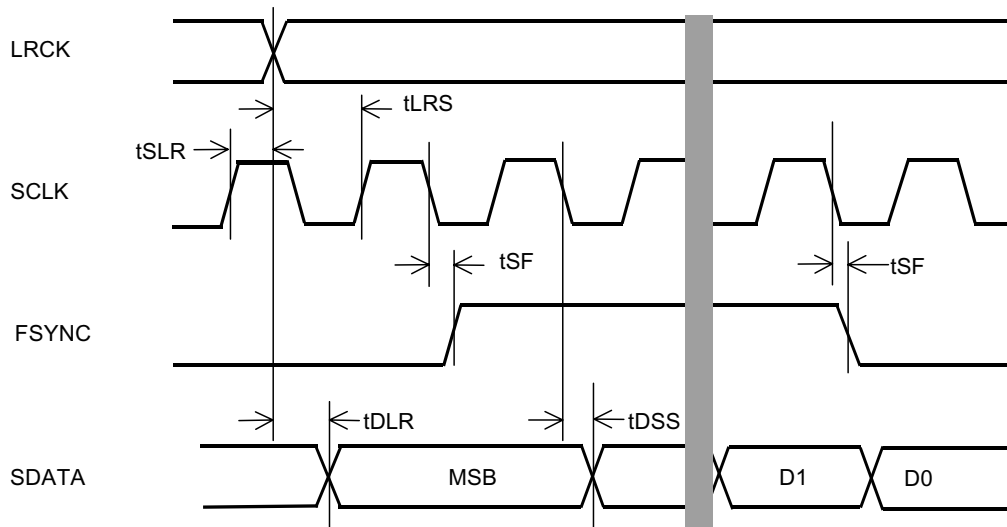
14. Specified LRCK edges not to coincide with the rising edges of SCLK.

15. The number of the LRCK rising edges after RSTN pin brought high.

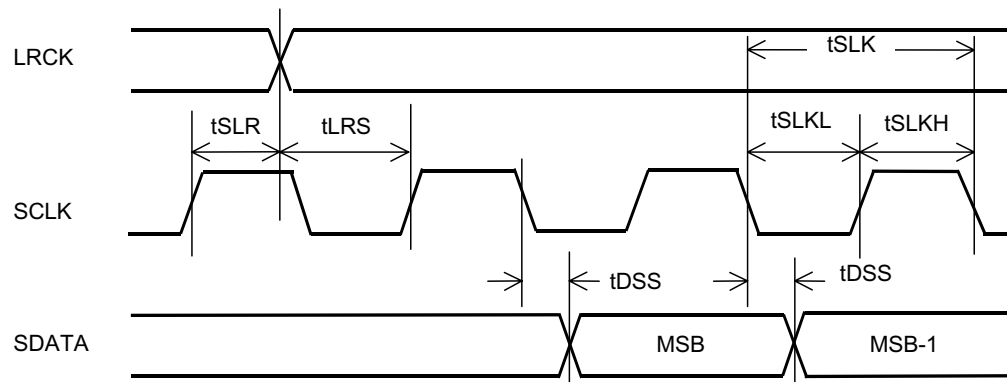
■ Timing Diagram



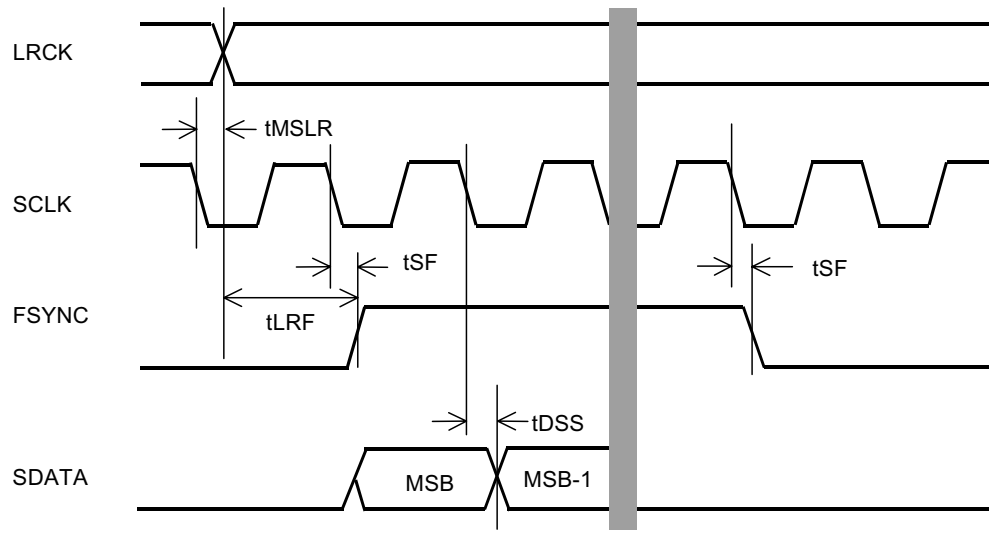
Serial Data Timing (Slave Mode, FSYNC = "H")



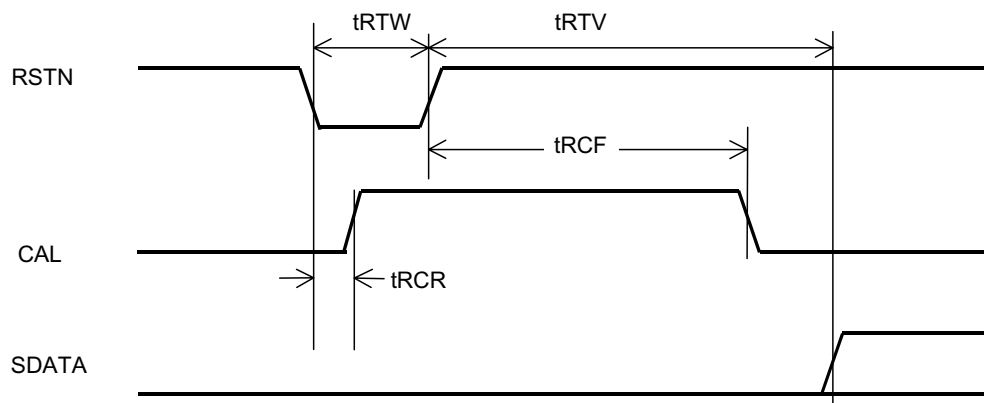
Serial Data Timing (Slave Mode)



Serial Data Timing (I²S Slave Mode, FSYNC = Don't Care)



Serial Data Timing (Master Mode & I²S Master Mode, Normal Speed Mode)



Reset & Calibration Timing

| |
|---------------------------|
| OPERATION OVERVIEW |
|---------------------------|

■ System Clock Input

The external clocks that are required to operate the AK5394A are MCLK, LRCK(fs) and SCLK. MCLK should be synchronized with LRCK but the phase is free of care. Table 1 and 2 show the relationship between the sampling rate and the frequencies of MCLK and SCLK.

As the AK5394A includes the phase detect circuit for LRCK, the AK5394A is reset automatically when the synchronization is out of phase by changing the clock frequencies. Therefore, the reset is only needed for power-up.

All external clocks must be present unless RSTN pin = "L", otherwise excessive current may result from abnormal operation of internal dynamic logic.

| Sampling Speed | Normal | Double | Quad | |
|--------------------|---------|----------|----------|---|
| | DFS0 | L | H | L |
| | DFS1 | L | L | H |
| LRCK (fs) | ~ 54kHz | ~ 108kHz | ~ 216kHz | |
| SCLK (Slave Mode) | ~ 128fs | ~ 64fs | ~ 64fs | |
| SCLK (Master Mode) | 128fs | 64fs | 64fs | |
| MCLK | 256fs | 128fs | 64fs | |

Table 1. System Clocks

| LRCK (fs) | MCLK | SCLK |
|-----------|------------|-------------|
| 32kHz | 8.1920MHz | ~ 4.0960MHz |
| 44.1kHz | 11.2896MHz | ~ 5.6448MHz |
| 48kHz | 12.2880MHz | ~ 6.1440MHz |
| 96kHz | 12.2880MHz | ~ 6.1440MHz |
| 192kHz | 12.2880MHz | ~ 12.288MHz |

Table 2. Examples of System Clock Frequency

■ Serial Data Interface

The AK5394A supports four serial data formats that can be selected via SMODE1 and SMODE2 pins (Table 3). The data format is MSB-first, 2's complement.

| Figure | SMODE2 | SMODE1 | Mode | LRCK |
|----------|--------|--------|------------------------------|------------------|
| Figure 1 | L | L | Slave Mode | Lch = H, Rch = L |
| Figure 2 | L | H | Master Mode | Lch = H, Rch = L |
| Figure 3 | H | L | I ² S Slave Mode | Lch = L, Rch = H |
| Figure 4 | H | H | I ² S Master Mode | Lch = L, Rch = H |

Table 3. Serial I/F Formats

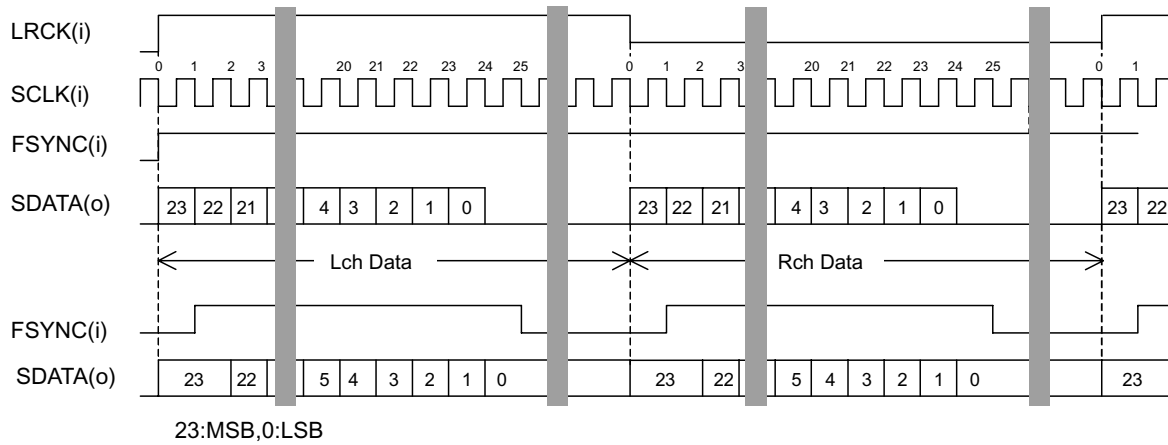


Figure 1. Serial Data Timing (Slave Mode)

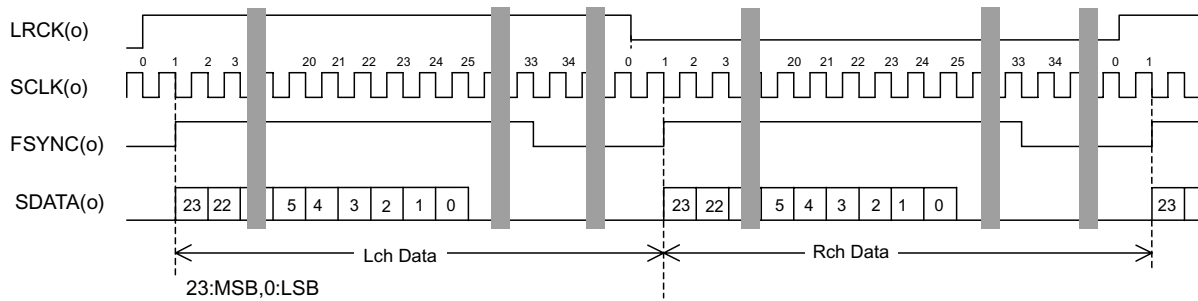


Figure 2. Serial Data Timing (Master mode, Normal Speed Mode)

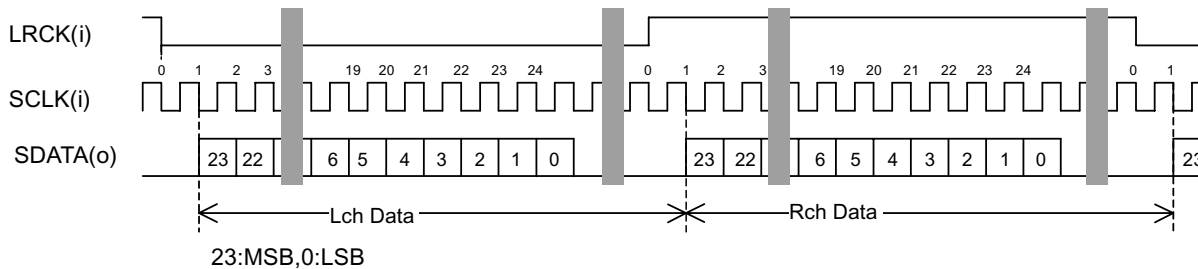


Figure 3. Serial Data Timing (I²S Slave mode, FSYNC: Don't care)

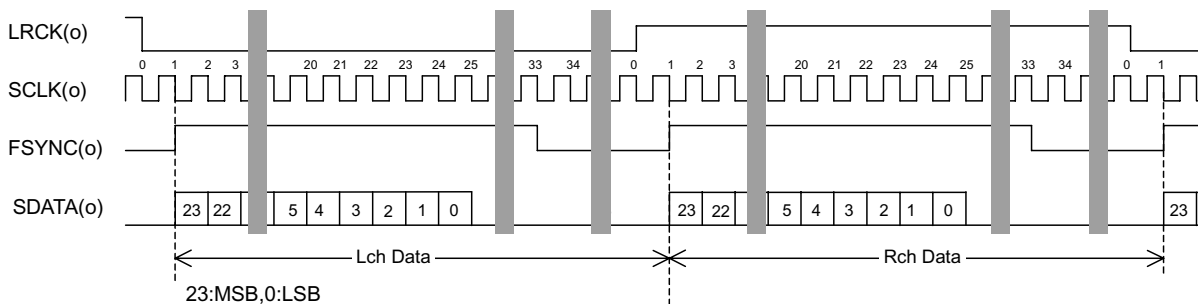


Figure 4. Serial Data Timing (I²S Master mode, Normal Speed Mode)

■ Offset Calibration

1. When the capacitors of 10 μ F or less are connected between VREF pin and GND:

When RSTN pin goes to “L”, the digital section is powered-down. Upon returning “H”, the offset calibration cycle is started. The offset calibration cycle should always be initiated after power-up.

During the offset calibration cycle, the digital section of the part measures and stores the values of calibration input of each channel in registers. The calibration input value is subtracted from all future outputs. The calibration input may be obtained from either the analog input pins (AIN+/-) or the VCOM pins depending on the state of the ZCAL pin. With ZCAL “H”, the analog input pin voltages are measured, and with ZCAL “L”, the VCOM pin voltages are measured. The CAL output is “H” during calibration.

2. When capacitors more than 10 μ F are connected between VREF pin and GND:

The distortion at low frequency can be improved by connecting large capacitors (C in Figure 5) to VREF pins. (Refer to Figure 12) However, when the capacitors of VREF pins are larger than 10 μ F, it is possibility that the offset calibration does not performed correctly if the offset calibration cycle is started right after power-up. Because the internal VREF can not settle to the appropriate voltage when the calibration cycle is completed. In this case, the offset calibration cycle should be started again after the VREF voltage settled. The timing is shown in Figure 6. Table 4 shows the relationship between the capacitance and the VREF settling time.

| Capacitor C[μ F] | Settling Time T[s]=5000 x C |
|--------------------------|--------------------------------|
| 1000 | 5 |
| 470 | 2.4 |
| 220 | 1.1 |
| 100 | 0.5 |

Table 4. Settling Time and capacitors connected between VREF and GND

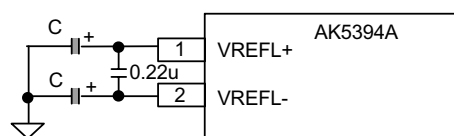


Figure 5. VREF circuit example

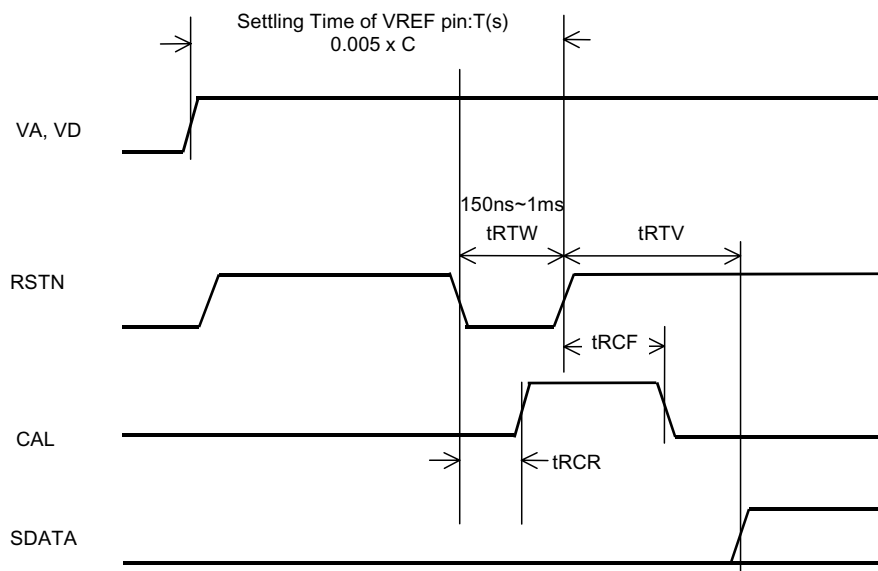


Figure 6. Reset & Calibration Timing

■ Digital High Pass Filter

The AK5394A includes a digital high pass filter for DC offset cancellation. The cut-off frequency of the HPF is 1Hz at $f_s=48\text{kHz}$ (Normal Speed Mode), at $f_s=96\text{kHz}$ (Double Speed Mode), at $f_s=192\text{kHz}$ (Quad Speed Mode) and also scales with sampling rate (f_s) respectively.

| Sampling Speed | DFS1 | DFS0 | f_c (Cut-off frequency) |
|----------------|------|------|---------------------------|
| Normal | L | L | $f_s/48\text{kHz}$ |
| Double | L | H | $f_s/96\text{kHz}$ |
| Quad | H | L | $f_s/192\text{kHz}$ |

Table 5. Cut-off frequency

SYSTEM DESIGN

Figure 7 and 8 show the system connection diagram. An evaluation board [AKD5394A] is available which demonstrates the optimum layout, power supply arrangements and measurement results.

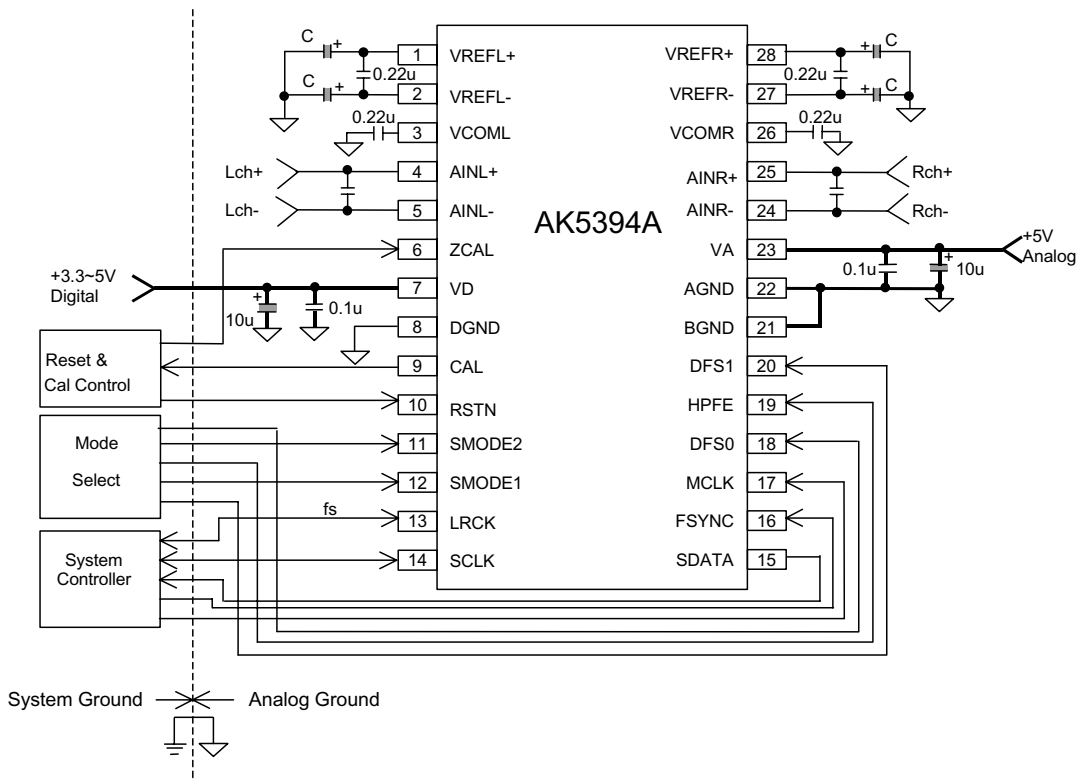


Figure 7. Typical Connection Diagram

Notes:

- LRCK = fs, SCLK = 64fs.
- Power lines of VA and VD should be distributed separately from the point with low impedance of regulator etc.
- AGND, BGND and DGND must be connected to the same analog ground plane.
- All digital input pins should not be left floating.
- Refer Table 4 and Figure 12 about C.

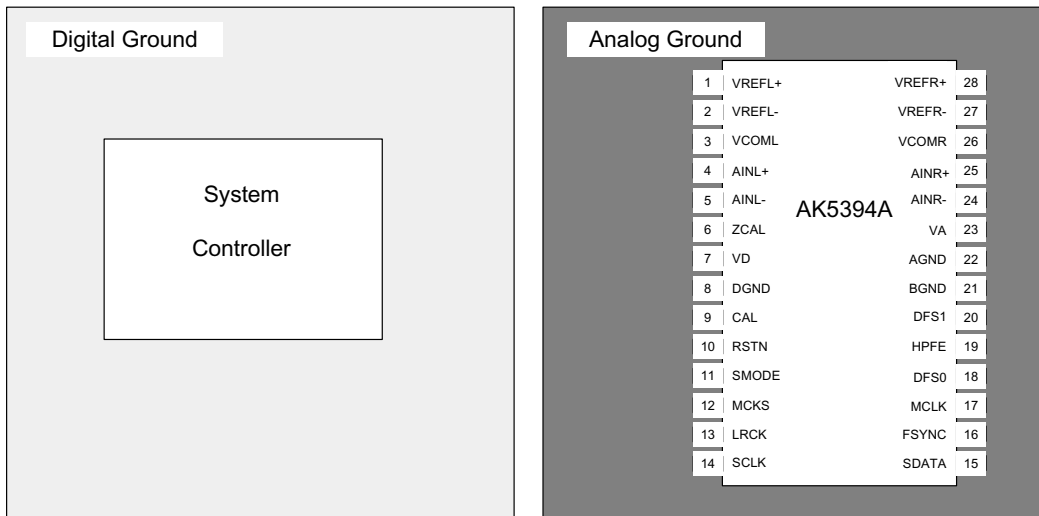


Figure 8 Ground layout

1. Grounding and Power Supply Decoupling

The AK5394A requires careful attention to power supply and grounding arrangements. Analog ground and digital ground of the system should be separate and connected together near to where the supplies are brought onto the printed circuit board. Decoupling capacitors should be as near to the AK5394A as possible, with the small value ceramic capacitor being the nearest.

2. On-chip Voltage Reference and VCOM

The reference voltage for A/D converter is supplied from VREF+/- pin at AGND reference. A 0.22 μ F ceramic capacitor should be attached between VREF+ and VREF-. An electrolytic capacitor (<1000 μ F) should be connected between AGND and VREF+/- respectively to eliminate the effects of low frequency noise. Especially a ceramic capacitor should be as near to the pins as possible. And all digital signals, especially clocks, should be kept away from the VREF+/- pins in order to avoid unwanted coupling into the AK5394A. No load current may be taken from the VREF+/- pins.

VCOM is a common voltage of the analog signal. In order to eliminate the effects of high frequency noise, a 0.22 μ F ceramic capacitor should be connected as near to the VCOM pin as possible. And all signals, especially clocks, should be kept away from the VCOM pin in order to avoid unwanted coupling into the AK5394A. No load current may be drawn from the VCOM pin.

3. Analog Inputs

Analog signal is differentially input into the modulator via the AIN+ and the AIN- pins. The input voltage is the difference between AIN+ and AIN- pins. The full-scale of each pin is nominally $\pm 2.4V_{pp}$ (typ). The AK5394A can accept input voltages from AGND to VA. The ADC output data format is 2's complement. The output code is 7FFFFFFH (@24bit) for input above a positive full scale and 800000H (@24bit) for input below a negative full scale. The ideal code is 000000H (@24bit) with no input signal. The DC offset is removed by the offset calibration.

The AK5394A samples the analog inputs at 128fs (6.144MHz@fs=48kHz, Normal Speed Mode). The digital filter rejects noise above the stop band except for multiples of 128fs. A simple RC filter may be used to attenuate any noise around 128fs and most audio signals do not have significant energy at 128fs.

The AK5394A accepts +5V supply voltage. Any voltage which exceeds the upper limit of VA+0.3V and lower limit of AGND-0.3V and any current beyond 10mA for the analog input pins (AIN+/-) should be avoided. Excessive currents to the input pins may damage the device. Hence input pins must be protected from signals at or beyond these limits. Use caution specially in case of using $\pm 15V$ in other analog circuits.

4. External analog circuit

Figure 9 shows an input buffer circuit example 1. (1st order HPF; $f_c=0.70\text{Hz}$, 2nd order LPF; $f_c=320\text{kHz}$, gain=-14.5dB). The analog signal is able to input through XLR or BNC connectors. (short JP1 and JP2 for BNC input, open JP1 and JP2 for XLR input). The input level of this circuit is +/-12.7Vpp (AK5394A: +/-2.4Vpp Typ.). When using this circuit, analog characteristics at $f_s=48\text{kHz}$ is DR=120dB, S/(N+D)=105dB.

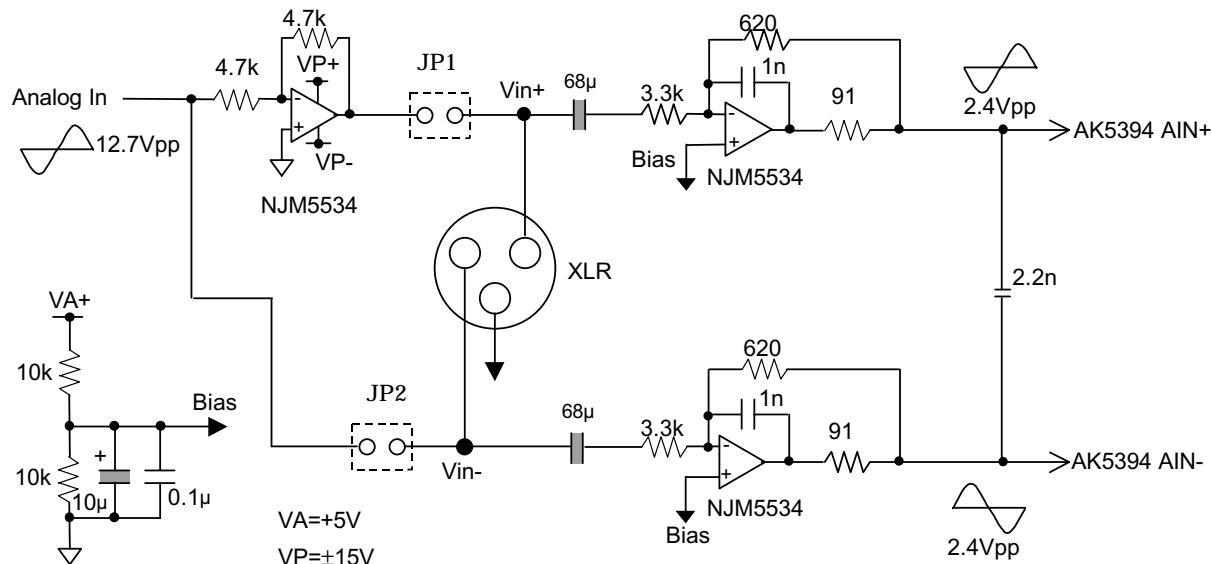


Figure 9. Analog input buffer circuit example 1

| Fin | 1Hz | 10Hz |
|--------------------|---------|---------|
| Frequency Response | -1.77dB | -0.02dB |

Table 6. Frequency Response of HPF

| Fin | 20kHz | 40kHz | 80kHz | 6.144MHz |
|--------------------|--------|--------|--------|----------|
| Frequency Response | 0.00dB | 0.00dB | 0.00dB | -51.36dB |

Table 7. Frequency Response of LPF

Figure 10 shows an input buffer circuit example 2. (1st order HPF; $f_c=0.66\text{Hz}$, 1st order LPF; $f_c=590\text{kHz}$, gain=-14dB). The analog signal is able to input through XLR or BNC connectors. (short JP1 and JP2 for BNC input, open JP1 and JP2 for XLR input). The input level of this circuit is +/-12.1Vpp (AK5394A: +/-2.4Vpp Typ.). When using this circuit, analog characteristics at $f_s=48\text{kHz}$ is $\text{DR}=123\text{dB}$, $\text{S}/(\text{N}+\text{D})=94\text{dB}$.

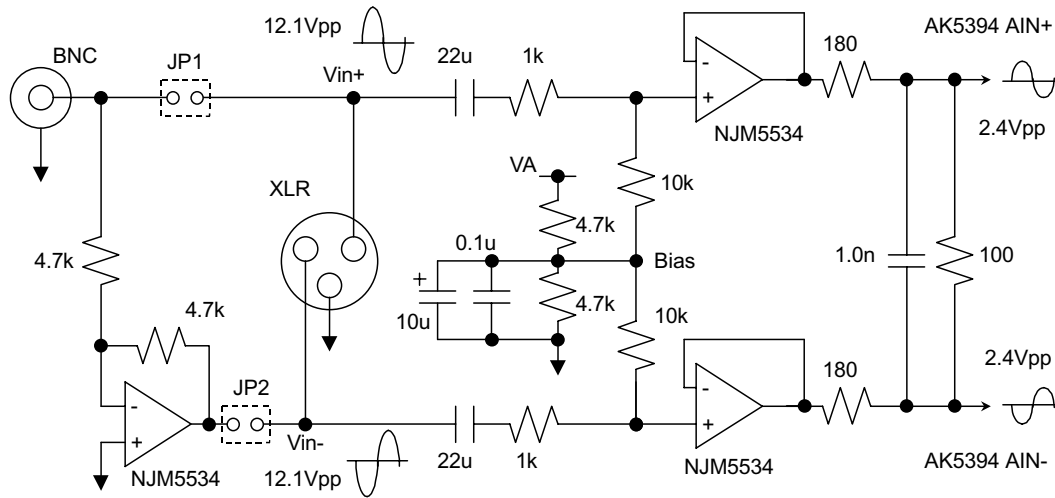


Figure 10. Analog input buffer circuit example 2

| Fin | 1Hz | 10Hz |
|--------------------|---------|---------|
| Frequency Response | -1.56dB | -0.02dB |

Table 8. Frequency Response of HPF

| Fin | 20kHz | 40kHz | 80kHz | 6.144MHz |
|--------------------|----------|---------|---------|----------|
| Frequency Response | -0.005dB | -0.02dB | -0.08dB | -20.4dB |

Table 9. Frequency

5. Measurement example

Figure 11 plot is the THD+N vs Input Level with circuit Figure 9 and circuit Figure 10. X-AXIS is input level, Y-AXIS is THD+N (ratio).

Measurement condition

Ta=25°C; VA=5.0V; VD=3.3V; AGND, BGND, DGND=0V; fs=48kHz; Input frequency=1kHz; 24 bit Output; Measurement frequency =10Hz ~ 20kHz; DFS0="L", DFS1="L", VREF capacitors=1000μF
 Measured by Audio Precision System Two.

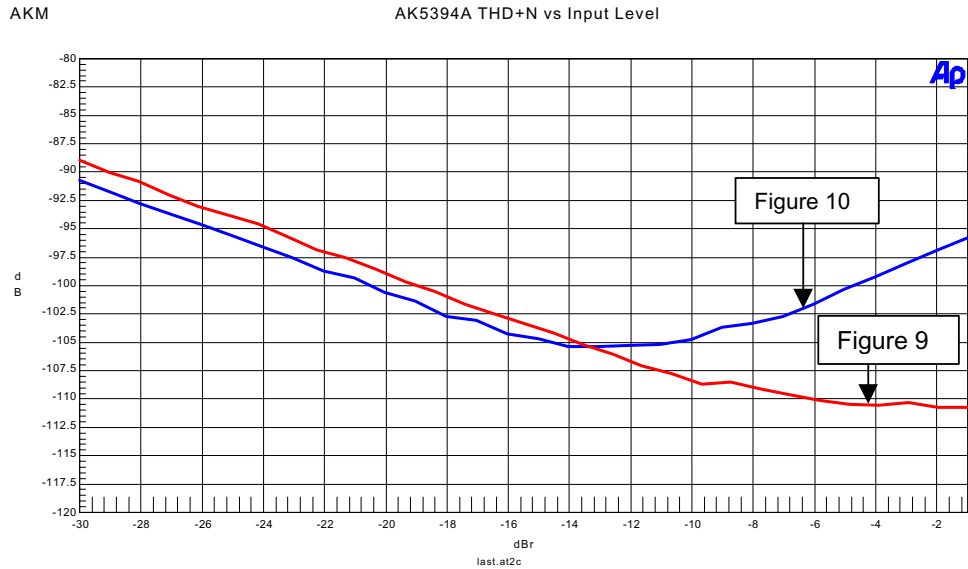


Figure 11. THD+N(ratio) vs. Input Level

Figure 12 shows the relationship between THD+N and Frequency with capacitors on Table 4. Input circuit uses Figure 9.

Measurement condition

Ta=25°C; VA=5.0V; VD=3.3V; AGND, BGND, DGND=0V; fs=48kHz; 24 bit Output; BW=10Hz ~ 20kHz; DFS0="L", DFS1="L", Measured by Audio Precision System Two.

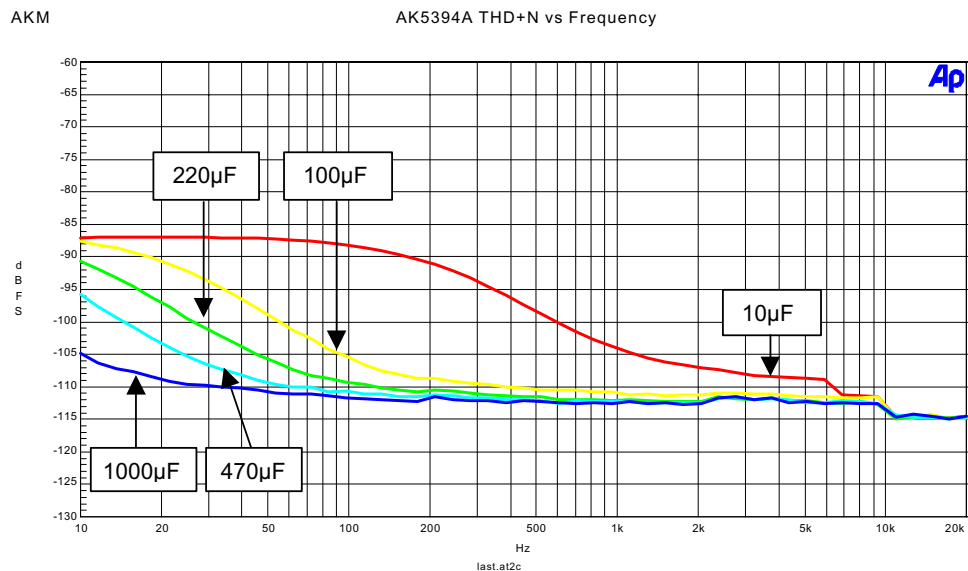


Figure 12. THD+N vs. Frequency

6. Noise floor of AK5394A

The AK5394A has a spurious noise of about -135dBFS on the noise floor of Lch output at no signal input. When this noise causes a trouble in system, it can be removed by adding a minute offset to the analog inputs of both channels externally using a circuit as Figure 13. The relationship between the frequency range (f_T) of the spurious noise to be removed and the adding offset voltage (V_{of}) is f_T [kHz] = $20 \times V_{of}$ [mV] - 20. The example is shown in Table 10.

| Spurious noise Frequency | Offset Voltage |
|--------------------------|----------------|
| 0 ~ 20kHz | +2mV |
| 0 ~ 40kHz | +3mV |
| 0 ~ 80kHz | +5mV |

Table 10. Spurious noise Frequency vs. Offset voltage

A resistor, R in Figure 13 should be 8Ω to add an offset of 2mV to the analog inputs. The relationship between R and V_{of} is shown by the following equation.

$$V_{of} = \frac{R}{20k + R} \times 5[V]$$

An offset voltage of the op-amps should be considered in the actual circuit. For example, when removing the spurious noise of 20kHz or less, the adding offset voltage should be $2+2=4mV$ if the op-amp has an offset of $\pm 2mV$. In this case, the dynamic range of the ADC output decreases 4mV.

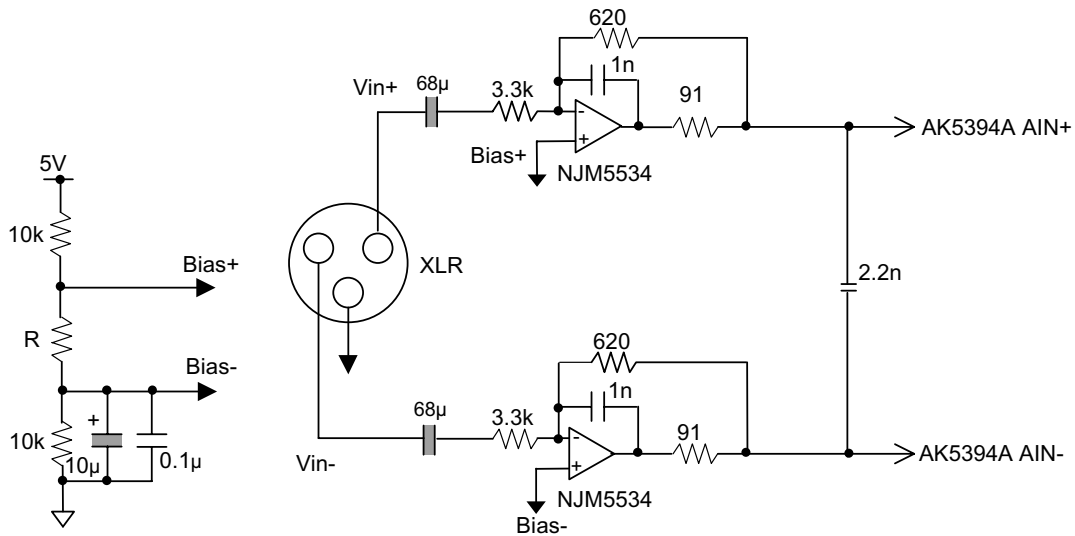
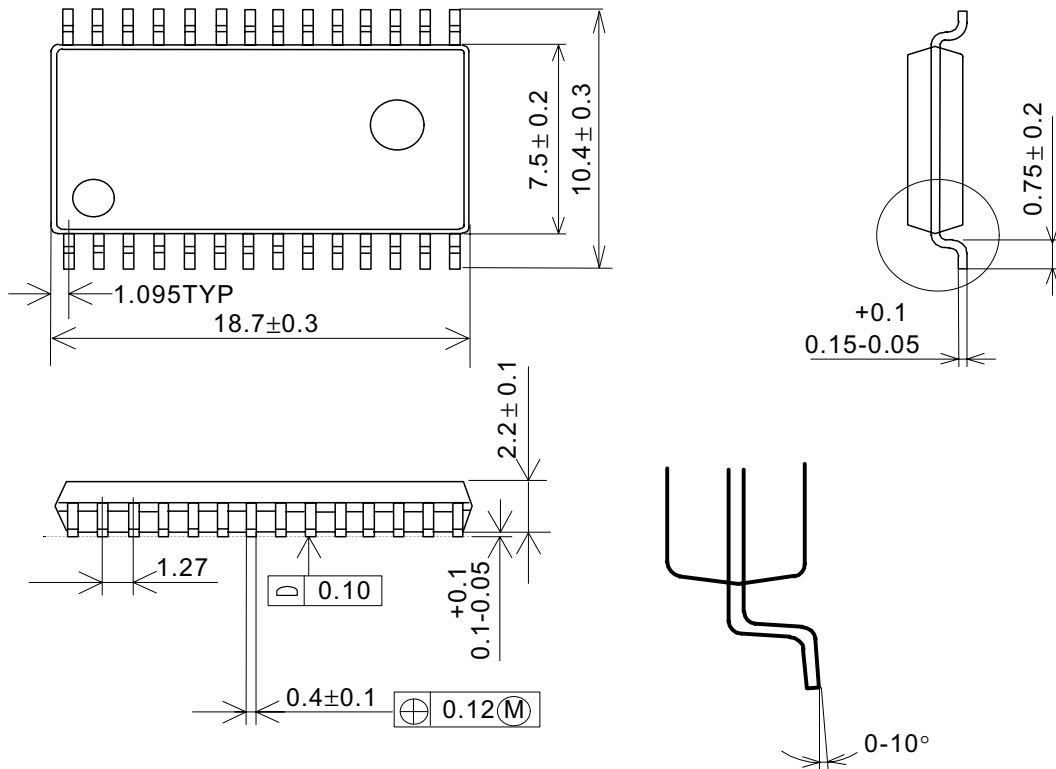


Figure 13. Removing the spurious noise circuit

PACKAGE

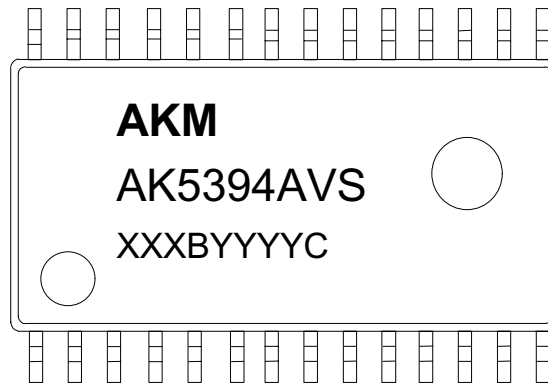
28pin SOP (Unit: mm)



■ **Package & Lead frame material**

| | |
|-------------------------------|--------------|
| Package molding compound: | Epoxy |
| Lead frame material: | Cu |
| Lead frame surface treatment: | Solder plate |

| |
|----------------|
| MARKING |
|----------------|



Contents of XXXBYYYYC

| | |
|--------|---------------------------------------|
| XXXB: | Lot # (X : numbers, B : alphabet) |
| YYYYC: | Data Code (Y : numbers, C : alphabet) |

IMPORTANT NOTICE

- These products and their specifications are subject to change without notice. Before considering any use or application, consult the Asahi Kasei Microsystems Co., Ltd. (AKM) sales office or authorized distributor concerning their current status.
- AKM assumes no liability for infringement of any patent, intellectual property, or other right in the application or use of any information contained herein.
- Any export of these products, or devices or systems containing them, may require an export license or other official approval under the law and regulations of the country of export pertaining to customs and tariffs, currency exchange, or strategic materials.
- AKM products are neither intended nor authorized for use as critical components in any safety, life support, or other hazard related device or system, and AKM assumes no responsibility relating to any such use, except with the express written consent of the Representative Director of AKM. As used here:
 - (a) A hazard related device or system is one designed or intended for life support or maintenance of safety or for applications in medicine, aerospace, nuclear energy, or other fields, in which its failure to function or perform may reasonably be expected to result in loss of life or in significant injury or damage to person or property.
 - (b) A critical component is one whose failure to function or perform may reasonably be expected to result, whether directly or indirectly, in the loss of the safety or effectiveness of the device or system containing it, and which must therefore meet very high standards of performance and reliability.
- It is the responsibility of the buyer or distributor of an AKM product who distributes, disposes of, or otherwise places the product with a third party to notify that party in advance of the above content and conditions, and the buyer or distributor agrees to assume any and all responsibility and liability for and hold AKM harmless from any and all claims arising from the use of said product in the absence of such notification.

This datasheet has been downloaded from:

www.DatasheetCatalog.com

Datasheets for electronic components.



LittleDiode supplies new, hard to find or obsolete electronic components and semiconductors all over the world.

With over two million different components listed you are sure to find the part you need.

Feel free to visit us today at our online store:

LittleDiode.com

Looking forward to providing you with the best possible service.