



AK8811/12

NTSC/PAL Digital Video Encoder

GENERAL DESCRIPTION

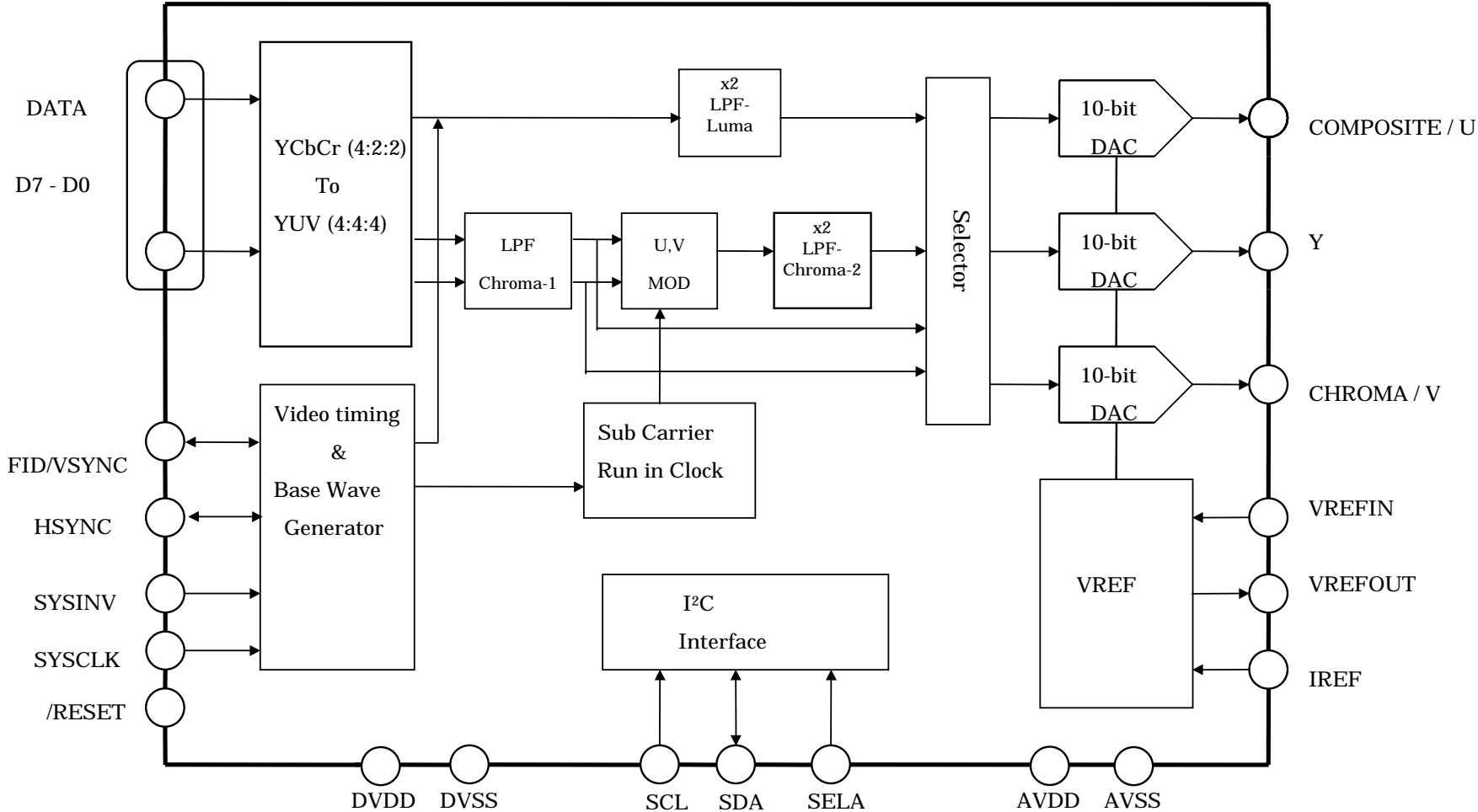
The AK8811 and AK8812 are low voltage, low power and small packaged Digital Video Encoder. They are suitable for a portable DVD or VCD player. They convert ITU-R.BT601/656 standard 8-bit parallel data into analog composite video, S-Video or analog component signals Y/Cb/Cr in NTSC and PAL formats.

AK8812 and AK8811 support Macrovision Copy Protection Rev.7.1(only AK8812), Closed captioning and Video Blanking ID(CGMS). These functions are controlled by high-speed I²C Bus interface.

FEATURES

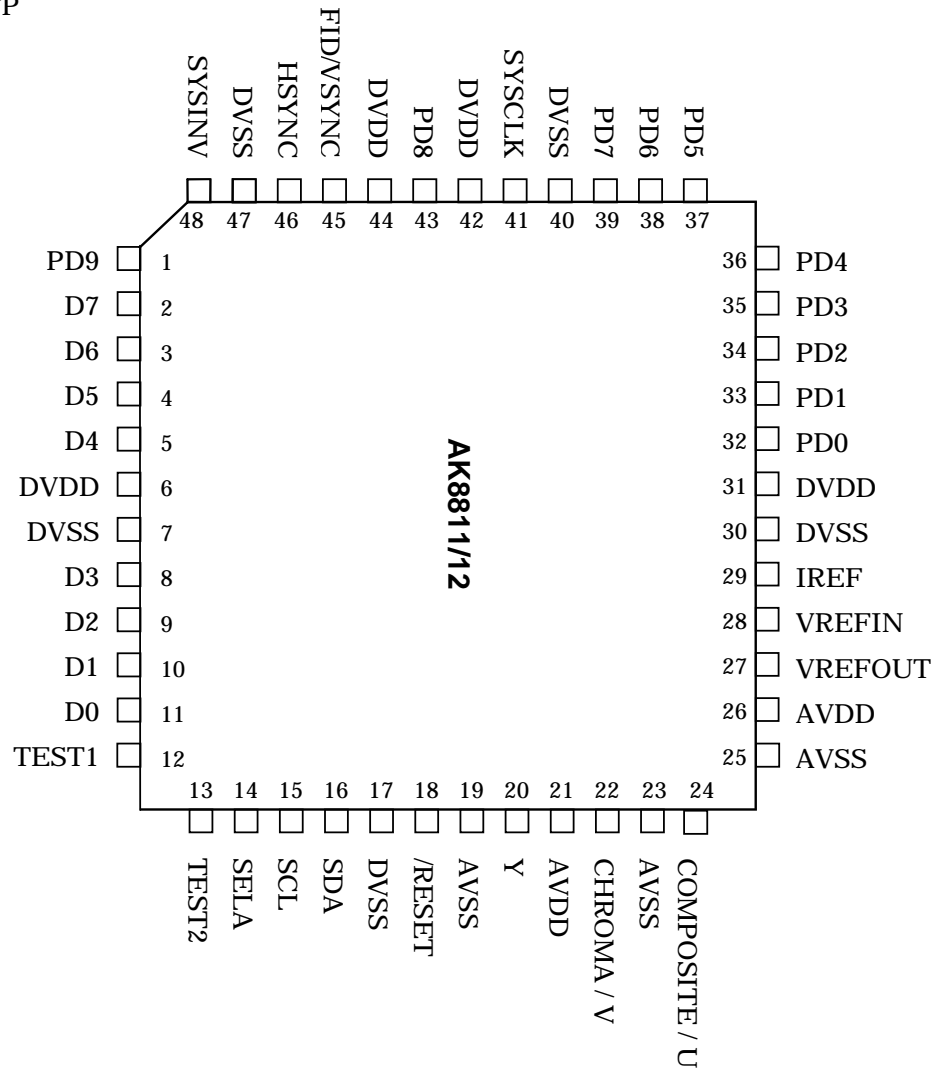
- NTSC-M, PAL-B,D,G,H,I,M,N encoding.
- Simultaneous composite video signal and S-video signal outputs
- Y/Cb/Cr Component output (Based on EIAJ Guideline)
- CCIR-656 4:2:2 8-bit Parallel Input
 - EAV Decoding
- Master/Slave Operation
 - Digital Field Sync I/O
 - Digital Vertical/Horizontal Sync I/O
- Y filtering 2 x over-sampling
- C filtering 4 x over-sampling
- Single 27MHz Clock (The polarity could be inverted by SYSINV pin)
- Triple 10-bit DACs
- I²C Interface (400kHz)
- Closed Caption encoding (NTSC: line 21,284-SMPTE PAL: line 21,334-CCIR)
- Macrovision Copy Protection Rev. 7.1* (Only for AK8812)
- VBID, CGMS(EIAJ CPR-1024)
- On-chip Color bar generator
- Low Power Consumption
- 3.3V only, CMOS Monolithic
- 48pin LQFP Package

* This device is protected by U.S. patent numbers 4,631,603, 4,577,216, and 4,819,098, and other intellectual rights. The use of Macrovision's copy protection technology in the device must be authorized by Macrovision and is intended for home and other limited pay-per-view use only, unless otherwise authorized in written by Macrovision. Reverse engineering or disassembly is prohibited.



PIN LAYOUT

48pin LQFP



| PIN/FUNCTION | | | |
|-------------------|----------------|-----|---|
| No. | Pin Name | I/O | Description |
| 2-5, 8-11 | D7 - D0 | I | 27MHz 8-Bit 4:2:2 multiplexed Y,Cb,Cr Data Input. For Rec.656 format, AK8811/12 decodes EAV. For non-Rec.656 format (without EAV), AK8811/12 operates in Master or Slave mode. |
| 41 | SYSCLK | I | 27MHz Clock Input. The polarity could be inverted by SYSINV. |
| 48 | SYSINV | I | "L " : data is latched with rising edge. "H" : data is latched with falling edge. |
| 18 | /RESET | I | After this pin becomes "L", AK8811/12 starts the internal initializing sequence. After initializing sequence, AK8811/12 is set NTSC mode, Rec.656 decoding mode. All DACs Off condition. |
| 45 | FID /VSYNC | I/O | Either of FID or VSYNC selected by the register. Rec.656 decode mode :Output Master mode : Output Slave mode : Input FID shows that "L" is odd field and "H" is even field. |
| 46 | HSYNC | I/O | Rec.656 decode mode : Output Master mode : Output Slave mode : Input |
| 15 | SCL | I | Serial interface clock |
| 16 | SDA | I/O | Serial interface data |
| 14 | SELA | I | The slave address is set with this pin. "L":40H "H":42H |
| 27 | VREFOUT | O | Output of the Internal Vref. Terminate with 0.1uF or more capacitor. |
| 28 | VREFIN | I | Input of the Reference Voltage |
| 29 | IREF | O | The currents flow this pin adjusts the full-scale output current of the DAC. |
| 24 | COMPOSITE/U | O | Output of Composite Video signal or component U |
| 22 | CHROMA/V | O | Output of the C signal or component V |
| 20 | Y | O | Output of Luminance Signal. |
| 21,26 | AVDD | P | Analog +3.3V |
| 6,31, 42,44 | DVDD | P | Digital +3.3V |
| 19,23,25 | AVSS | G | Analog Ground |
| 7,17,47, 40,30 | DVSS | G | Digital Ground |
| 12,13 | TEST1 TEST2 | I | Test pin. Ground for normal operation |
| 1, 32- 39,43 | PD[9:0] | I/O | Test pin. Open for normal operation |

| |
|-----------------------------------|
| ELECTRICAL CHARACTERISTICS |
|-----------------------------------|

Absolute Maximum Ratings

| Parameter | Min | Max | Units |
|--|------|---------|-------|
| Supply Voltage (VDD) DVDD, PVDD, AVDD | -0.3 | 4.6V | V |
| Input Pin Voltage (Vin) | -0.3 | VDD+0.3 | V |
| Input Pin Current (Iin) | - | ±10 | mA |
| Analog Reference Current (IREF) | - | 0.21 | mA |
| Analog Output Current | - | 6.5 | mA |
| Power Dissipation | | 1000 | mW |
| Storage Temperature | -40 | 125 | °C |

(Note)When all Ground pins(DVSS, AVSS) are set to 0V.

Recommended Operating Conditions

| Parameter | Min | Typ. | Max | Units |
|-----------------------|-----|------|-----|-------|
| Supply Voltage (VDD) | 3.0 | 3.3 | 3.6 | V |
| Operating Temperature | -40 | | 85 | °C |

DC Characteristics

[Power Supply:3.3V Temperature:25°C]

| Parameter | Symbol | Min | Max | Units | Conditions |
|--|--------|--------|--------|-------|--------------------|
| Digital Input High Voltage | VIH1 | 0.7VDD | | V | Note1) |
| Digital Input Low Voltage | VIL1 | | 0.3VDD | V | Note1) |
| Digital Input leak Current | IL | | ±10 | uA | Note1) |
| Digital Output High Voltage | VOH | 2.4 | | V | IOH = -1mA Note 2) |
| Digital Output Low Voltage | VOL1 | | 0.4 | V | IOL = 2mA Note 2) |
| Digital Maximum Load Capacitance | | | 20 | pF | |
| I ² C Input High Voltage I ² C(SDA,SCL) | VIH2 | 0.7VDD | | V | |
| I ² C Input Low Voltage I ² C(SDA,SCL) | VIL2 | | 0.3VDD | V | |
| I ² C(SDA) Output Voltage | VOL2 | | 0.4 | V | IOL = 3mA |

Note 1) D[9:0],FID/VSYNC, HSYNC, SYSCLK, /RESET pin

Note 2) FID/VSYNC, HSYNC pin

Note 3) Connected Test Pin to Ground, SELA and SYSINV Pin are desired polarity.

Analog Characteristics and Dissipation Current

[Power Supply:3.3V Temperature:25°C]

| Parameter | Min | Typ | Max | Units | Conditions |
|----------------------------------|------|-------|------|--------|-----------------|
| DAC Resolution | | 10 | | bit | |
| DAC Integral linearity error | | ±0.6 | ± 2 | LSB | |
| DAC Differential linearity error | | ±0.4 | ± 1 | LSB | |
| DAC Output Full Scale Voltage | 1.21 | 1.28 | 1.38 | V | Note1) |
| DAC Output offset Voltage | | | 5.0 | mV | Note2) |
| Unbalances between DACs | | ±1 | ±5 | % | Note3) |
| Isolation between DACs | | 50 | | dB | 1MHz Full Scale |
| DAC Load Capacitance | | | 30 | pF | Note4) |
| Internal Reference Voltage | 1.17 | 1.235 | 1.33 | V | |
| Internal Reference Drift | | 50 | | ppm/°C | |
| DAC Current (Active mode) | | 15 | | mA | Note5) |
| DAC Current (Sleep mode) | | 10 | | uA | Note6) |
| Total Current | | 50 | 72 | mA | Note7) |

Note 1) Under the condition of output load 390Ω, IREF pin with 12kΩ, using internal reference. The output full-scale current IOU_T is calculated as Full scale output voltage (typ. 1.28V) /390Ω=typ. 3.3mA.

Note 2) DAC output when feeding code of 0 (Decimal).

Note 3) Deviation between the DAC output when feeding 1V generating code of 800(Decimal).

Note 4) The value is a design target. This value is not tested.

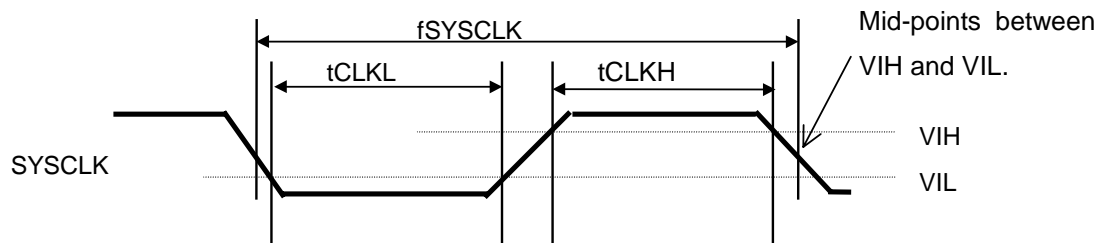
Note 5) All DACs are operating.

Note 6) All DACs are turned off with no system clock.

Note 7) NTSC internal color bar with 3ch DACs operation and slave mode operation. DAC output pins is connected with only 390Ω load.

AC Characteristic

1. SYSCLK



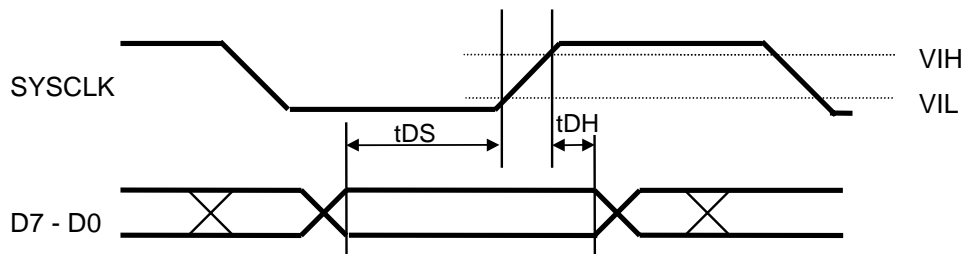
[3.3V Temperature 25°C]

| Parameter | Symbol | Min. | Typ. | Max | Unit |
|----------------------|---------|------|------|-----|------|
| SYSCLK | fSYSCLK | | 27 | | MHz |
| SYSCLK Pulse width H | tCLKH | 15 | | | nsec |
| SYSCLK Pulse width L | tCLKL | 15 | | | nsec |

2. In case of SYSINV = L

(2-1). Pixel Data Input

Pixel Data Input Timing

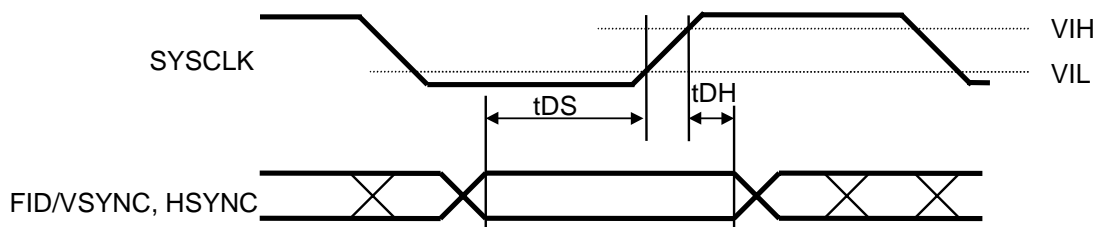


[3.3V Temperature 25°C]

| Parameter | Symbol | Min | Typ | Max | Units |
|-----------------|--------|-----|-----|-----|-------|
| Data Setup Time | tDS | 5 | | | nsec |
| Data Hold Time | tDH | 8 | | | nsec |

(2-2). Synchronizing Signal (FID/VSYNC, HSYNC)

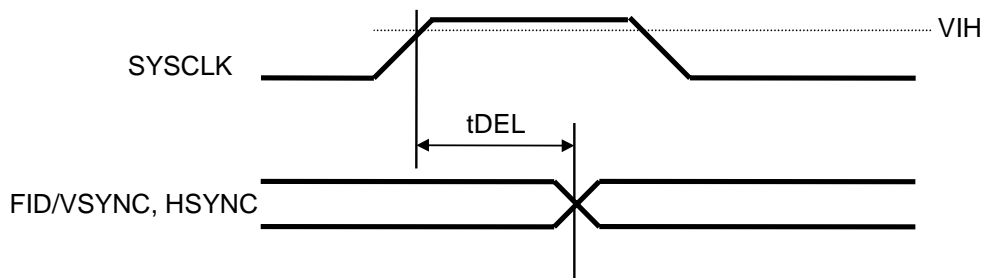
(2-2-1) Input Synchronizing Signal Timing



[3.3V Temperature 25°C]

| Parameter | Symbol | Min | Typ. | Max | Units |
|-----------------|--------|-----|------|-----|-------|
| Data Setup Time | tDS | 5 | | | nsec |
| Data Hold Time | tDH | 8 | | | nsec |

(2-2-2) Output Synchronizing Signal Timing

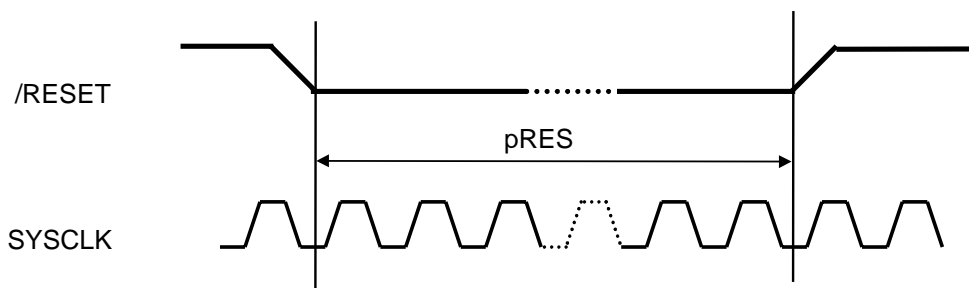


[3.3V Temperature 25°C]

| Parameter | Symbol | Min | Typ. | Max | Units |
|-------------------|--------|-----|------|-----|-------|
| Delay from SYSCLK | tDEL | | | 27 | nsec |

(2-3). Reset (Initialize)

Reset Timing



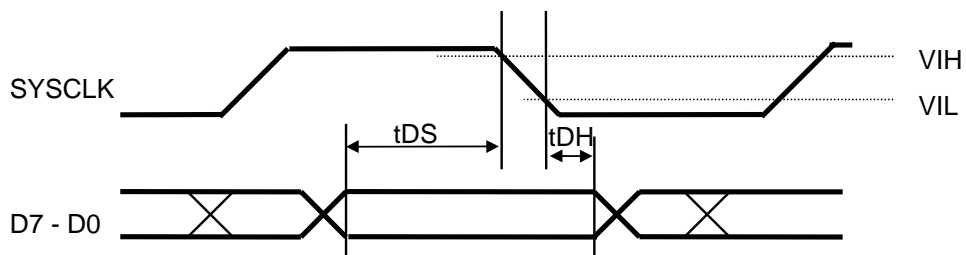
[3.3V Temperature 25°C]

| Parameter | Symbol | Min | Typ. | Max | Units |
|--------------------|--------|-----|------|-----|--------|
| /RESET Pulse Width | pRES | 10 | | | SYSCLK |

(3). In case of SYSINV = H

(3-1). Pixel Data Input

Pixel Data Input Timing

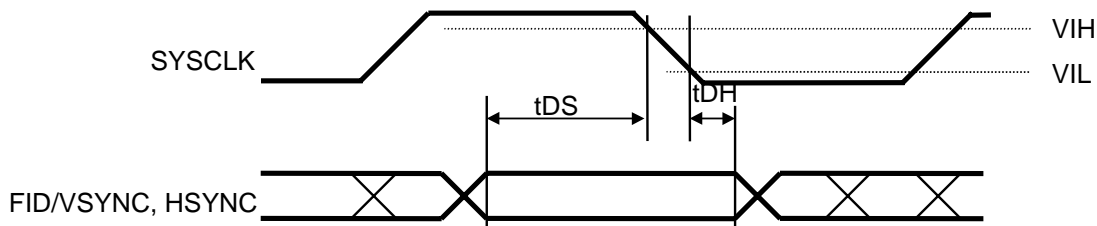


[3.3V Temperature 25°C]

| Parameter | Symbol | Min | Typ | Max | Units |
|-----------------|--------|-----|-----|-----|-------|
| Data Setup Time | tDS | 5 | | | nsec |
| Data Hold Time | tDH | 8 | | | nsec |

(3-2). Synchronizing Signal (FID/VSYNC, HSYNC)

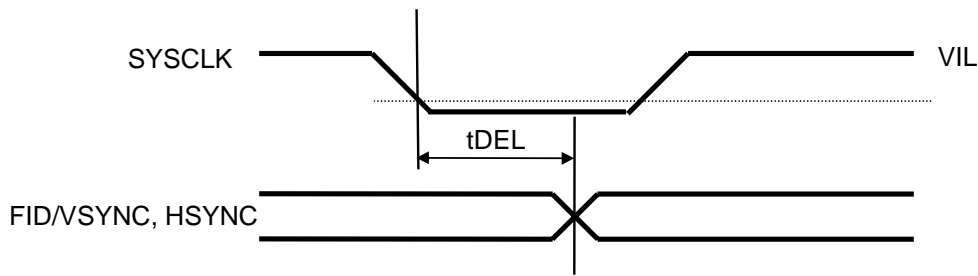
(3-2-1) Input Synchronizing Signal Timing



[3.3V Temperature 25°C]

| Parameter | Symbol | Min | Typ. | Max | Units |
|-----------------|--------|-----|------|-----|-------|
| Data Setup Time | tDS | 5 | | | nsec |
| Data Hold Time | tDH | 8 | | | nsec |

(3-2-2) Output Synchronizing Signal Timing

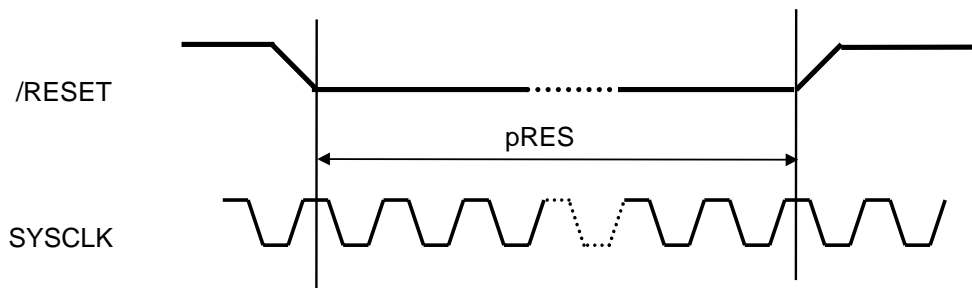


[3.3V Temperature 25°C]

| Parameter | Symbol | Min | Typ. | Max | Units |
|-------------------|--------|-----|------|-----|-------|
| Delay from SYSCLK | tDEL | | | 27 | nsec |

(3-3). Reset (Initialize)

Reset Timing

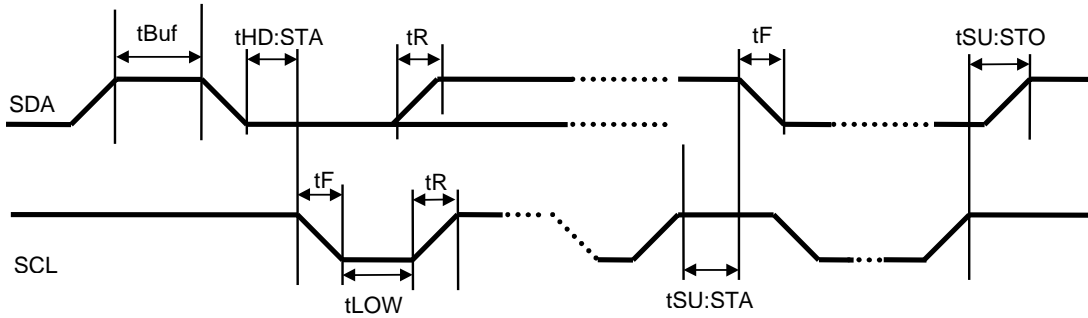


[3.3V Temperature 25°C]

| Parameter | Symbol | Min | Typ. | Max | Units |
|--------------------|--------|-----|------|-----|--------|
| /RESET Pulse Width | pRES | 10 | | | SYSClk |

(4). I²C Bus (SCL 400kHz cycle mode)

(4-1) I/O Timing 1

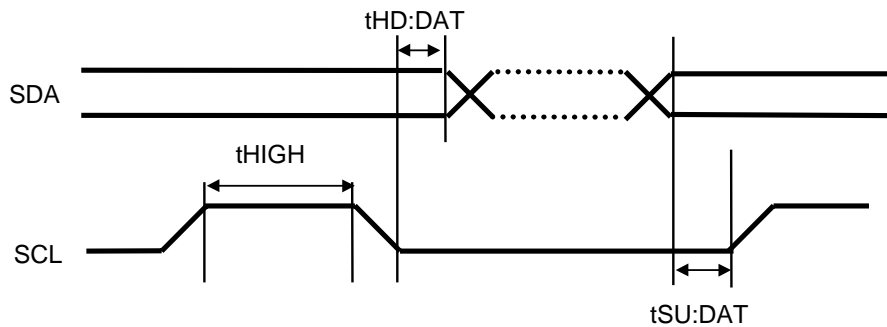


[3.3V Temperature 25°C]

| Parameter | Symbol | Min | Max | Units |
|-----------------------------|---------|-----|-----|-------|
| Bus Free Time | tBUF | 1.3 | | usec |
| Hold Time (Start Condition) | tHD:STA | 0.6 | | usec |
| Clock Pulse Low Time | tLOW | 1.3 | | usec |
| Bus Signal Rise Time | tR | | 300 | nsec |
| Bus Signal Fall Time | tF | | 300 | nsec |
| Setup Time(Start Condition) | tSU:STA | 0.6 | | usec |
| Setup Time(Stop Condition) | tSU:STO | 0.6 | | usec |

All the figures shown above list are not restricted by AK8811/12 but are restricted by I²C Bus standard.
Please see the I²C Bus standard for further details.

(4-2) I/O Timing 2



[3.3V Temperature 25°C]

| Parameter | Symbol | Min. | Max. | Unit. |
|-----------------------|---------|---------|---------|-------|
| Data Setup Time | tSU:DAT | 100 (1) | | nsec |
| Data Hold Time | tHD:DAT | 0.0 | 0.9 (2) | usec |
| Clock Pulse High Time | tHIGH | 0.6 | | usec |

(1) In case of normal I²C bus mode tSU:DAT ≥250nsec

(2) Using under minimum tLOW, this value must be satisfied.

| |
|-------------------------------|
| FUNCTIONAL DESCRIPTION |
|-------------------------------|

◆ Reset

When the reset pin [/RESET] set to “L”, AK8811/12 is in reset state. AK8811/12 starts in the internal initializing sequence at the trailing edge of the first SYSCLK after the reset pin is “L”. All internal registers are set to be default value by this initializing sequence. AK8811/12 needs at least 10 clock counts of SYSCLK for this reset operation. After the reset operation, the video output pins are in high-impedance. AK8811/12 requires SYSCLK for the reset operation.

◆ Master-Clock

AK8811/12 requires 27MHz clock at SYSCLK pin for operation. Video input data (ITU-R BT.656) is sampled at the trailing edge of this 27MHz. SYSINV decides the edge direction.

SYSINV = L Data is sampled at rising edge of SYSCLK.

SYSINV = H Data is sampled at falling edge of SYSCLK.

◆ Video Signal Interface

AK8811/12 can interface with the video input data by the following 3 modes. The mode is set by the register [Interface mode register(00H)].

1. ITU-R BT.656 Format

AK8811/12 decodes EAV in stream data and manages an internal synchronization.

In this case, AK8811/12 outputs FID (odd : “L” even : “H”) / VSYNC and HSYNC.

CCIR-bit of [Interface mode register (00H)] should be set “1” .

2. ITU-R BT.656 like Format (4:2:2 Y/Cb/Cr)

There are Master and Slave modes, for ITU-R BT.656 like Format which does not include EAV. In this mode, CCIR-bit of [Interface mode register(00H)] should be set “0” .

<Master Mode>

AK8811/12 provides FID/VSYNC and HSYNC to an external device according to the AK8811/12 internal timing counter. AK8811/12 starts to sample the input data at the fixed value on the internal pixel counter.

In this mode, following setting should be done to [Interface mode register(00H)].

CCIR-bit = 0

MAS-bit = 1

<Slave Mode>

FID/VSYNC and HSYNC are supplied by an external device. AK8811/12 samples the data as same manner of Master mode.

In this mode, following setting should be done to [Interface mode register(00H)].

CCIR-bit = 0

MAS-bit = 0

◆ Video Signal Conversion

Video reconstruction module converts the multiplexed data (ITU-R. BT601 Y/Cb/Cr) to the interlace format of NTSC-M, PAL-M, PAL-B,D,G,H,I,N and other formats (ex. NTSC-4.43 and PAL60). The video reconstruction format, the line number, the color encode way(NTSC or PAL) and the frequency of Color Sub-carrier is specified by [Video Process 1 register(01H)]. (cf. Burst Signal Table) The frequency and the phase of Color Sub-carrier are also adjustable by [Sub C. Freq. register(06H)] and [Sub C. Phase register(07H)]. The Sub-carrier has a free-running mode and a reset-mode. In the reset-mode, the Sub-carrier is reset automatically to the initial phase for every 4 fields (NTSC) or 8 fields (PAL).

◆ Component Video Output

Video output mode is set by VS-bit of [Video Process 3 register (03H)]. AK8811/12 can output not only the set of composite video signal and S-video signal but also can output component video signals(Y/Cb/Cr). The component video signals are complied with EIAJ guideline 1998/3.

VS-bit = 0 : composite video signal and S-video signal output

VS-bit = 1 : component video signal output

◆ Luminance Filter

Luminance signal passes through the 2x Low Pass filter Fig.1 is the characteristic of Luminance Filter.

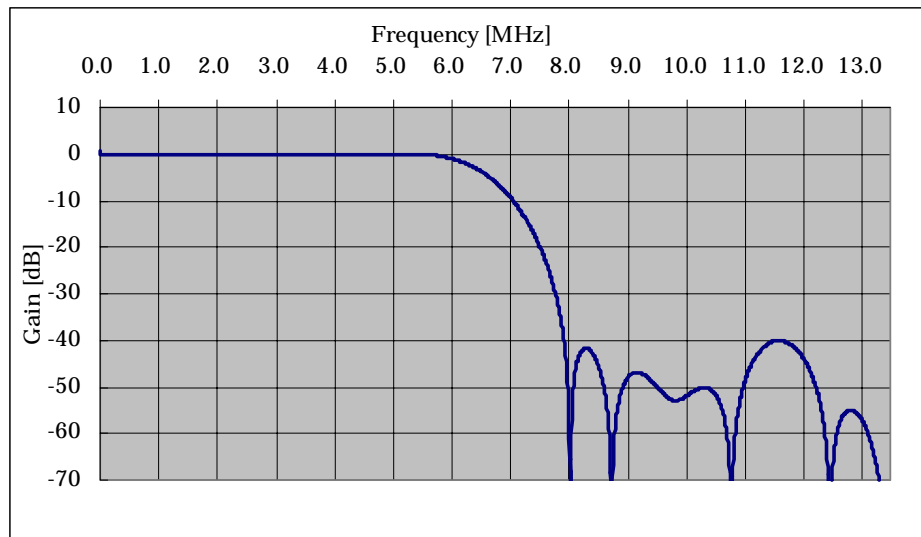


Fig. 1 Luminance Filter

◆ Chroma Filter

Chroma signals (Cb,Cr) before Sub-carrier modulation pass through the 1.3 MHz Low pass filter shown in Fig.2. Chroma signal modulated by Sub-carrier passes through the filter shown in Fig.3.

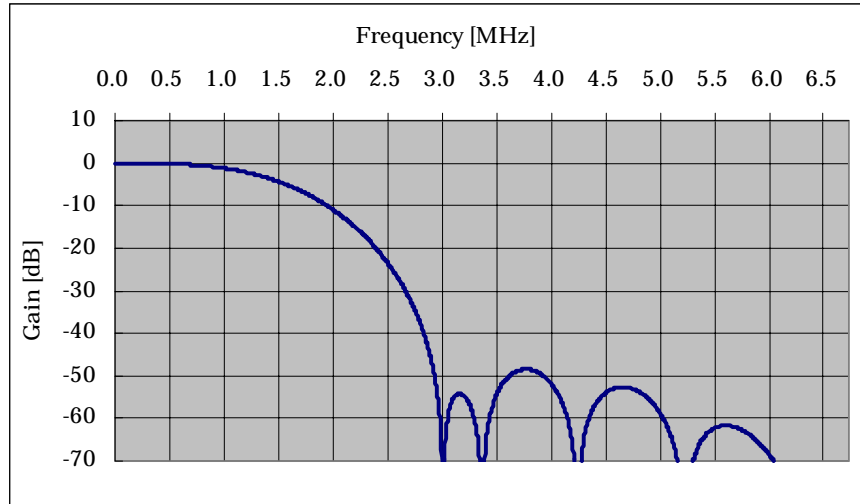


Fig. 2 Chroma-1 LPF

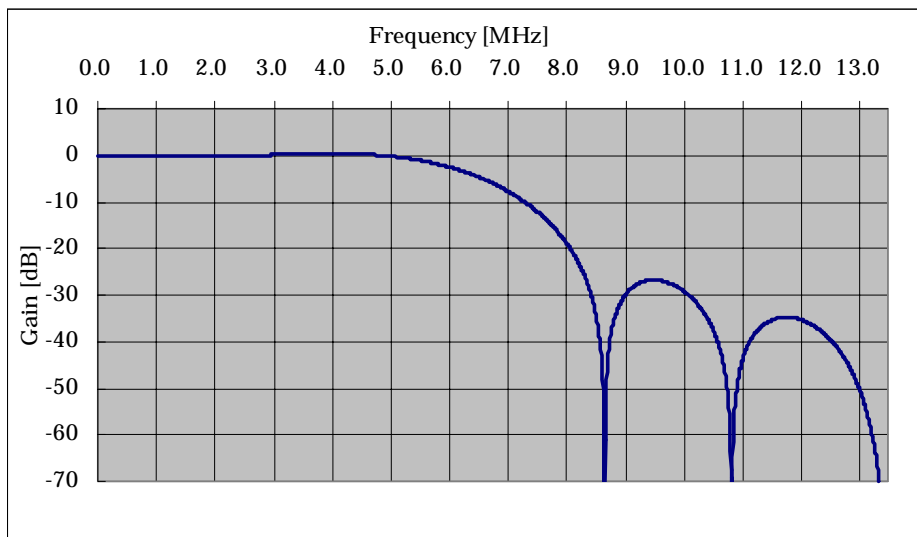


Fig. 3 Chroma-2 LPF

◆ Color burst signal

Color burst signal is generated by 24bits-length Digital Frequency Synthesizer. The Default frequency of the color burst is selected by [Video Process 1 Register(0x01)].

| Standard | Sub-carrier Freq. [MHz] | Video Process 1 [VM1,VM0] |
|-----------------|----------------------------|------------------------------|
| NTSC-M | 3.57954545 | [0,0] |
| PAL-M | 3.57561188 | [0,1] |
| PAL-B,D,G,H,I | 4.43361875 | [1,1] |
| PAL-N(Arg.) | 3.5820558 | [1,0] |
| PAL-N(non-Arg.) | 4.43361875 | [1,1] |
| PAL60 | 4.43361875 | [1,1] |
| NTSC-4.43 | 4.43361875 | [1,1] |

Burst Signal Table

Sub-carrier frequency 3.57561188MHz is allowed when PAL-M mode is selected.

The burst frequency and initial phase resolution are as follows.

| | |
|----------------------|----------|
| Frequency resolution | 0.8046Hz |
| SCH Phase resolution | 360°/256 |

◆ Video DAC

AK8811/12 has the three current driven 10bits-DACs at 27MHz operation. The full scale voltage of DAC is determined by the current output from IREF pin. Typical output voltage is 1.28Vo-p under the condition of VREFIN 1.235V, 12KΩ between IREF pin and Ground(AVSS) and DAC load resistance of 390Ω. This full-scale voltage should be set in the range of 1.17V to 1.33V by adjusting the resistor which terminates IREF pin. Each DAC output can be set to “active state” or to “inactive state” individually by [DAC Mode register(05H)]. When DAC is in “inactive state”, the output is Hi-impedance. When all DACs are set to “inactive state”, the analog part of AK8811/12 goes into sleep mode. In this case AK8811/12 stops outputting the reference voltage(VREF) output. When any DAC is switched over in “active state” from sleep mode, AK8811/12 starts outputting reference voltage. In this case AK8811/12 needs several milisecond for VREF wake-up time.

Using internal VREF as the reference voltage, connect [VREF OUT] pin with [VREF IN] pin and [VREF OUT] pin is terminated with more than 0.1uF capacitor.

◆ Use external Reference Voltage

In order to improve the accuracy of DAC output, external reference voltage may be used. In this case, VREFOUT pin still needs to be terminated with more than 0.1uF capacitor.

◆ Copy Protection

Macrovision Copy Protection Rev.7.1

Information about the Macrovision encoding functions of the AK8812 is available to Macrovision licensees. Macrovision may be contacted at:

Macrovision Corporation
1341 Orleans Drive
Sunnyvale, California 94089
USA

Attention: ACP-PPV Technical Support
FAX: (408) 743 – 8610

◆ Closed Caption and Extended Data

AK8811/12 supports both Closed Captioning and Extended Data. They are controlled “ON” or “OFF” respectively by [Video Process 2 Register(02H)]. Each data consists of 2 continuous bytes register(Closed Caption R (16H,17H)), and it is recognized as the data is renewed when the second byte(17H register) is written in the register. After the data is renewed, AK8811/12 encodes Closed Captioning and Extended Data at the designated line. If the data isn’t renewed, AK8811/12 outputs “ASCII-NULL” code. The data is supposed as Odd Parity and 7 bit US-ASCII code. Host should provide a parity bit.

*In PAL encoding mode, AK8811/12 outputs them at the same timing and same pattern as NTSC.

*The line where Closed Captioning data is encoded is as follows.

| | 525/60 System (SMPTE) | 625/50 System (CCIR) |
|----------------|-----------------------|----------------------|
| Closed Caption | 21 Line default | 21 Line default |
| Extended Data | 284 Line default | 334 Line default |

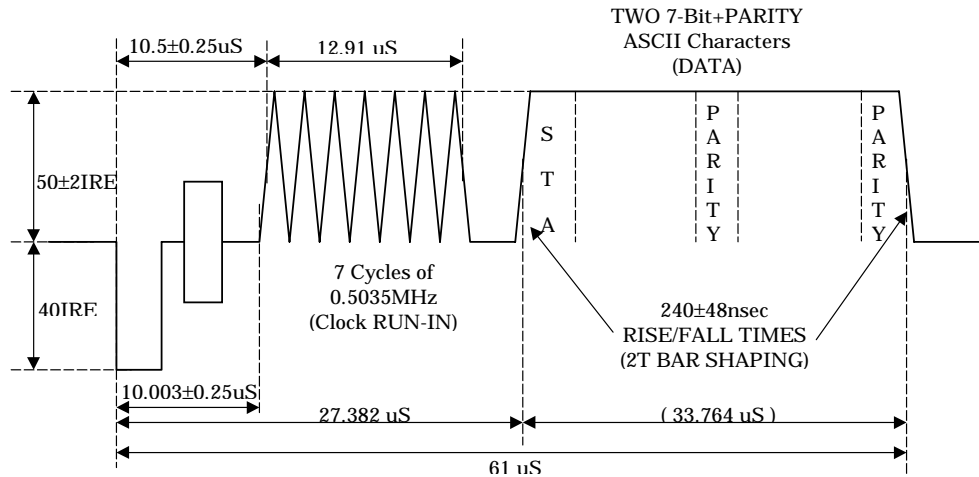


Fig. 4 Closed Captioning Wave form

◆ Video ID

AK8811/12 supports Video ID (EIAJ standard, CPR-1204) encoding for the distinction of an aspect ratio, etc. Setting or Resetting the VBID-bit of [Video Process 2 Register(02H)], this function is switched On/Off. The data is set by using [Video ID Data Register(1AH, 1BH)].

VBID Data Renewal Timing.

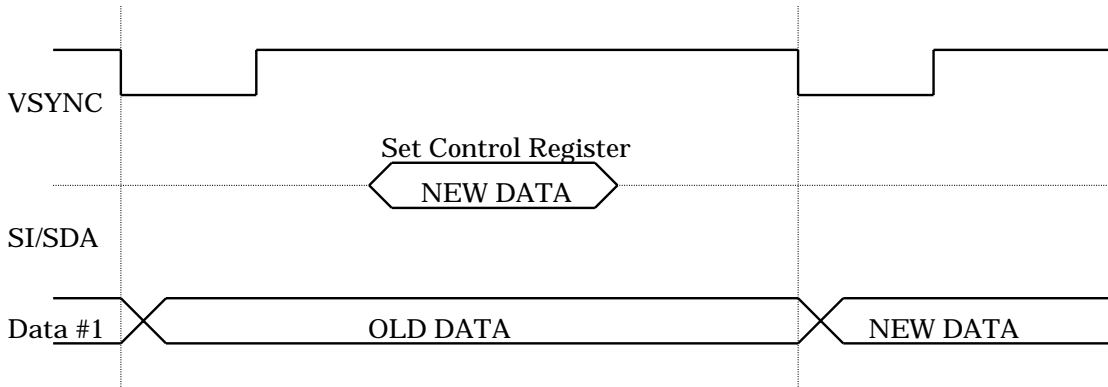


Fig. 5 VBID Data renewal Timing

VBID Data Layout

VBID is consists of 20 bits and its format is shown as follows.

AK8811/12 generates CRC code automatically and appends it to the data. Initial value of the Polynomial is 1.

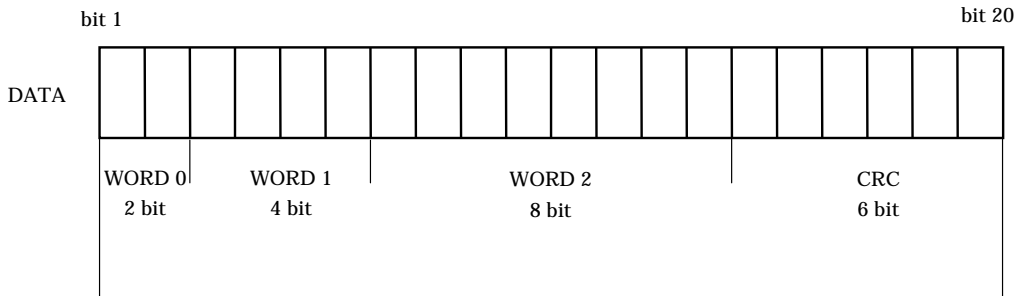


Fig. 6 VBID code assignment

VBID Waveform

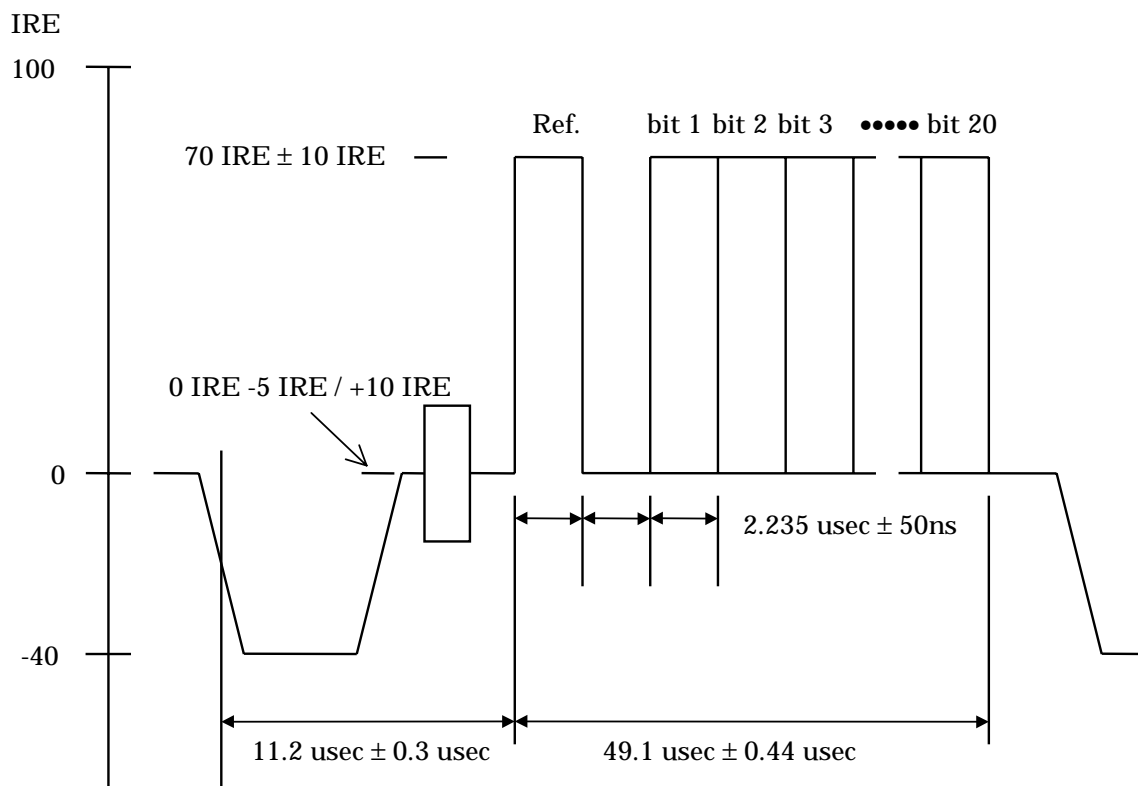


Fig. 7 VBID Wave Form

| | 525/60 system | 625/50 system |
|-------------|---------------|---------------|
| Amplitude | 70 IRE | 490 mV |
| Encode Line | 20/283 | 20/333 |

VBID parameter table

◆ **AK8811/12 Interface Timing (Part 1) Master mode & ITU-R BT. 656 mode**

On ITU-R BT.656 decoding mode or master mode operation, AK8811/12 outputs HSYNC and FID or VSYNC (selected by register).

When AK8811/12 receives ITU-R BT. 656 signal, AK8811/12 decodes [EAV] code in the data for synchronization then outputs the HSYNC. AK8811/12 outputs HSYNC at the rising edge of SYSCLK in the timing of the 32nd/24th(NTSC/PAL) data slot, which is counted from the [EAV] starting point as below. (See also AC Characteristics 2-2[Input Synchronizing Signal])

On master mode operation, the front device connected with AK8811/12 (ex. MPEG Decoder) starts to set Cb on the 276th/288th(NTSC/PAL) slot, after starting to count HSYNC falling edge as 32nd/24th(NTSC/PAL) slot.

FID/VSYNC is output synchronously with HSYNC at the timing of solid line as in Fig. 10 Video Field.

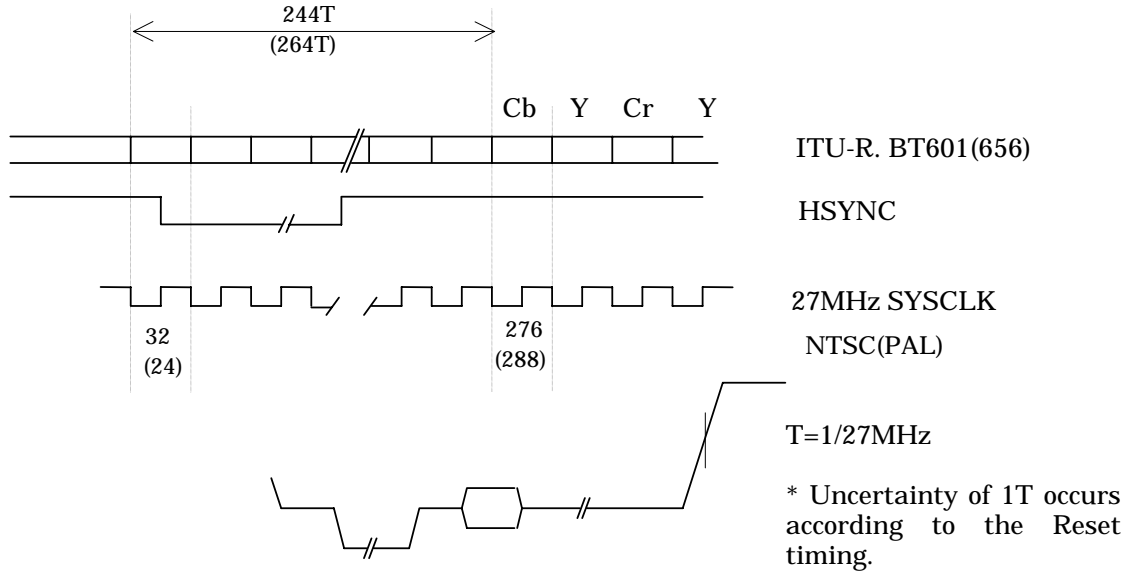


Fig. 8 Interface Timing (ITU-R BT.656 or Master mode)

◆ **AK8811/12 Interface Timing (Part 2) Slave mode**

On slave mode operation, HSYNC and FID or VSYNC (Selected by register) are input to AK8811/12.

AK8811/12 monitors the transition of HSYNC at the timing of the rising edge of SYSCCLK. (Refer to AC Characteristic 2-1. [Input Synchronizing Signal]) After AK8811/12 recognizes HSYNC is Low-logic, AK8811/12 sets the slot number to the 32nd/24th(NTSC/PAL), internally, then AK8811/12 starts to sample the data as Cb on 276th/288th(NTSC/PAL) slot.

Video field is recognized the transition timing between FID/VSYNC and HSYNC. (Fig.10. Video Field) As in the figure, there is a tolerance of $\pm 1/4H$.

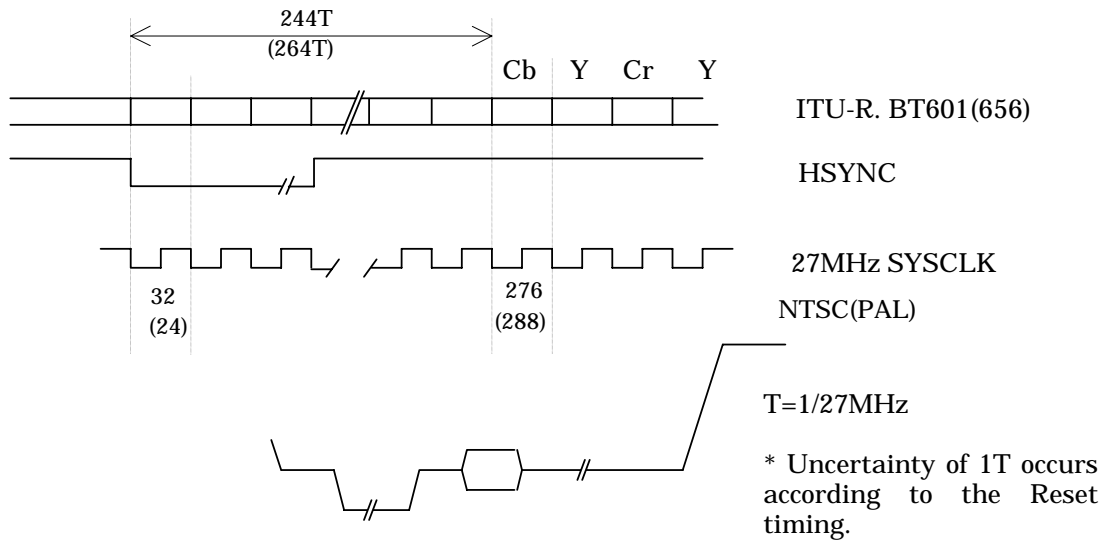


Fig. 9. Interfacing timing (Slave mode)

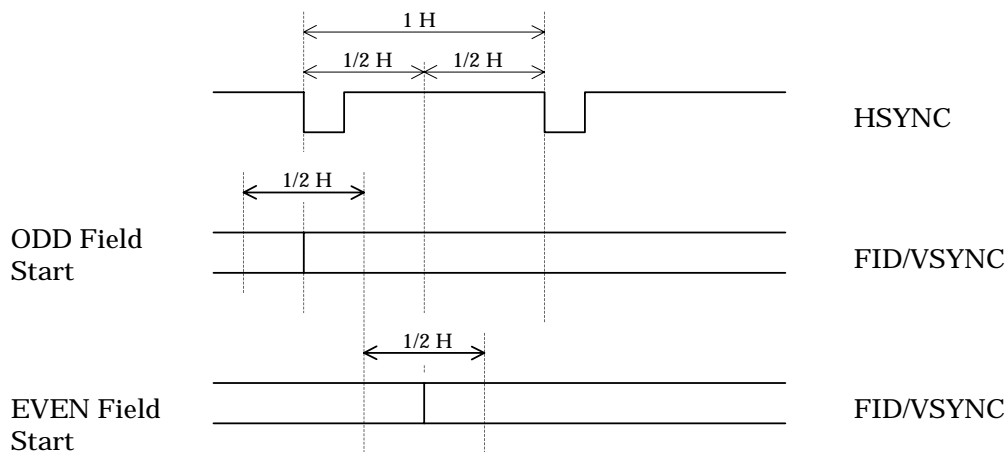


Fig. 10. Video Field

◆ HSYNC FID/VSYNC Timing

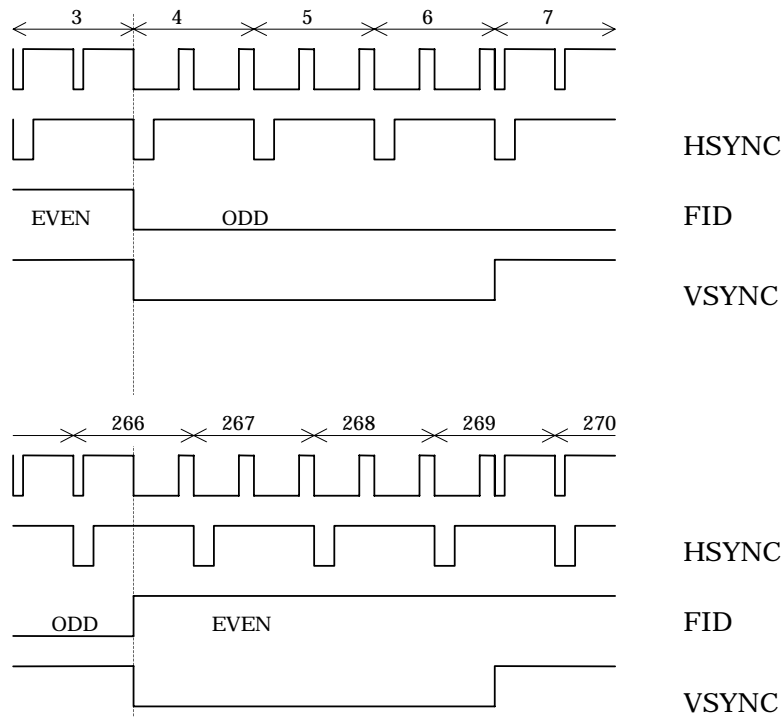


Fig. 11. NTSC / PAL/M

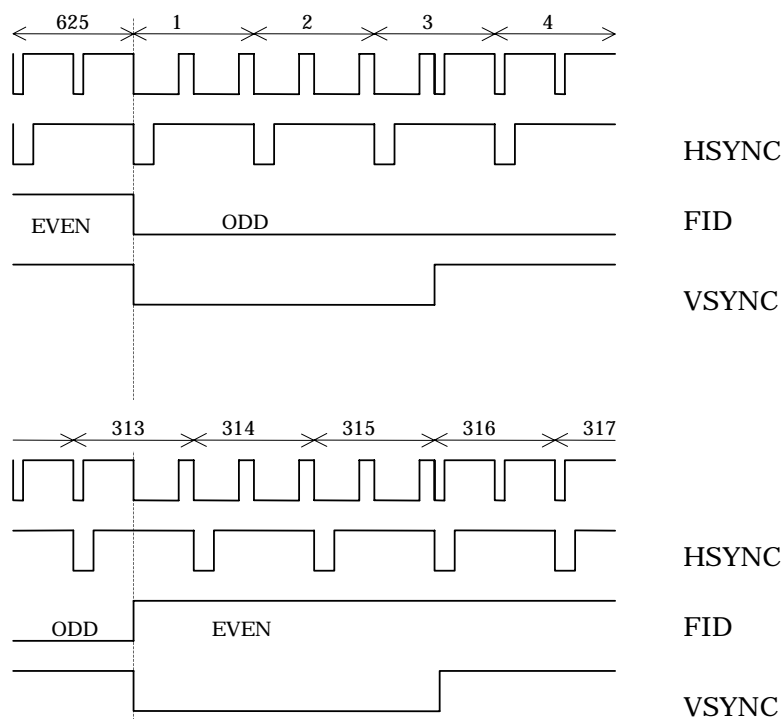
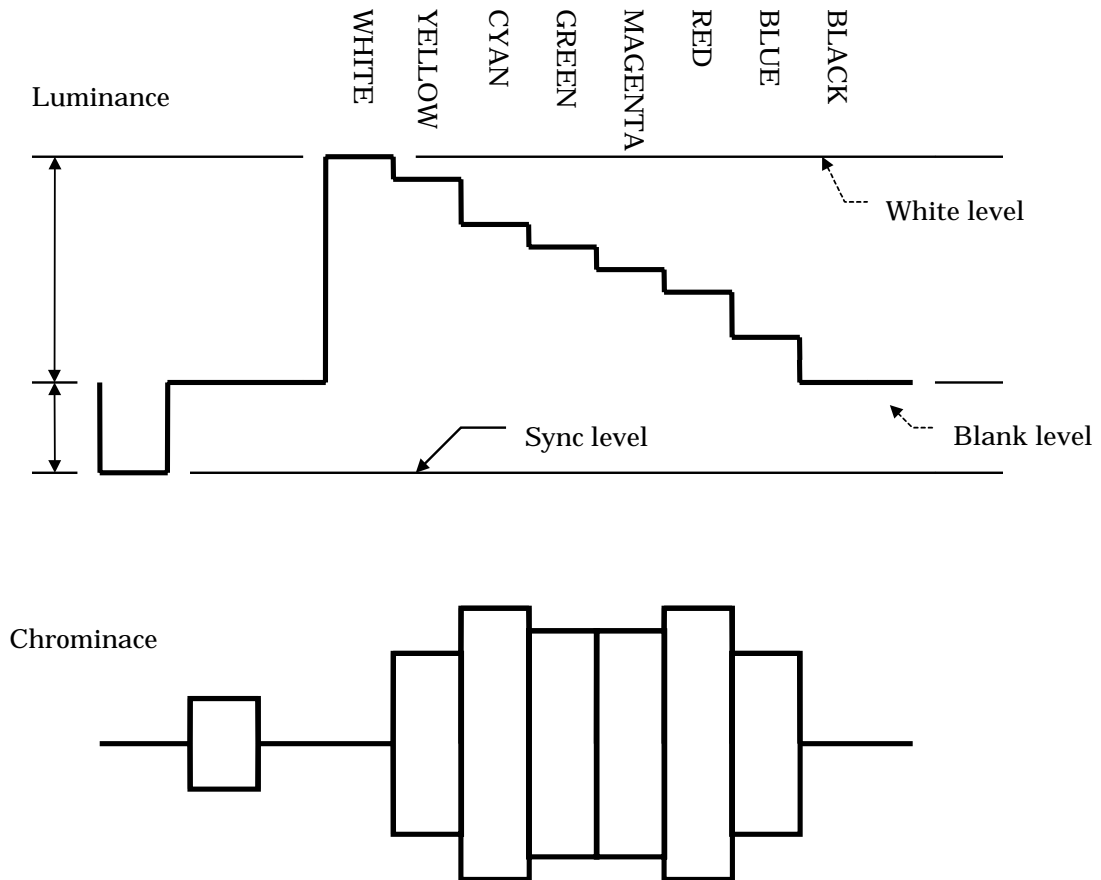


Fig. 12 PAL

◆ Color Bars

AK8811/12 generates the Common Color Bar signal for NTSC and PAL internally. The generated Color Bar is “100% Amplitude, 100% Saturation”.



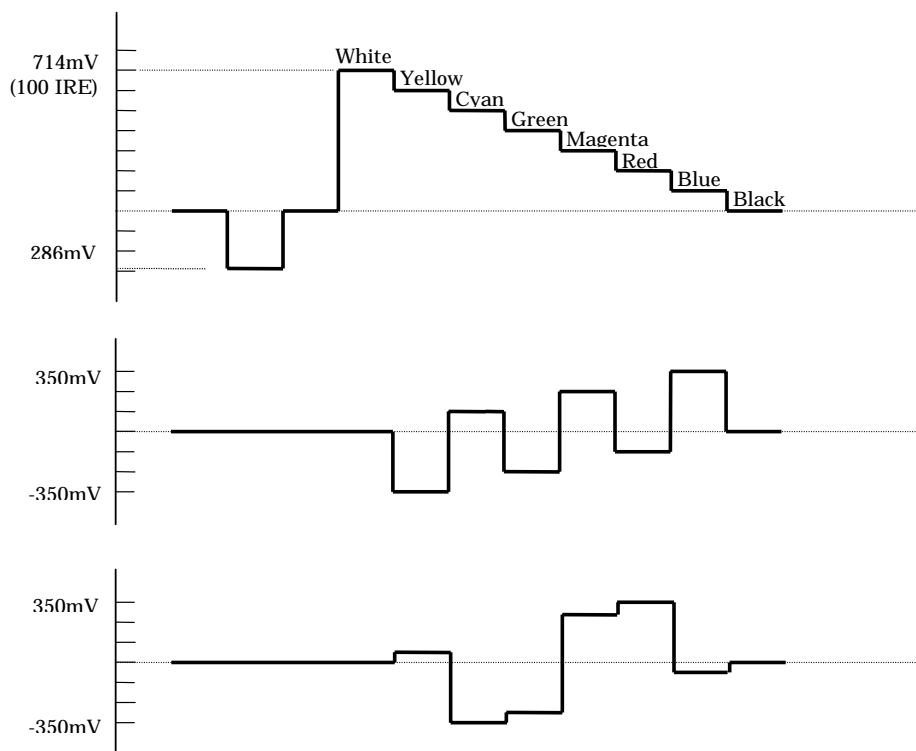
The following values are code for ITU-R. BT601

| | WHITE | YELLOW | CYAN | GREEN | MAGENTA | RED | BLUE | BLACK |
|----|-------|--------|------|-------|---------|-----|------|-------|
| Cb | 128 | 16 | 166 | 54 | 202 | 90 | 240 | 128 |
| Y | 235 | 210 | 170 | 145 | 106 | 81 | 41 | 16 |
| Cr | 128 | 146 | 16 | 34 | 222 | 240 | 110 | 128 |

◆ Component video output

The levels of each Component video outputs are following. (Color bar NTSC 100/0/100/0)

Magnitude is compliant to the guideline of EIAJ CPR-1024.



| | WHITE | YELLOW | CYAN | GREEN | MAGENTA | RED | BLUE | BLACK |
|----|-------|--------|------|-------|---------|------|------|-------|
| Cb | 0 | -350 | 118 | -232 | 232 | -118 | 350 | 0 |
| Y | 714 | 632 | 500 | 418 | 296 | 213 | 82 | 0 |
| Cr | 0 | 57 | -350 | -293 | 293 | 350 | -57 | 0 |

Y Signal Level : 1.00Vpp
 Y (Video Signal Level) : 0.714V
 Y (Sync level) : 0.286V
 Setup : None
 Cb/Cr Signal Level : ± 0.350V

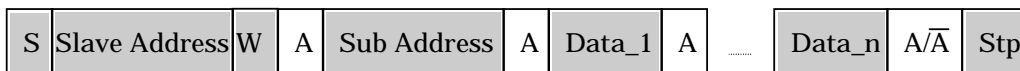
◆ I²C Control Sequence

AK8811/12 is controlled by I²C bus. The slave address can be selected as 40H or 42H by selecting SELA pin.

SELA pull-down 40H
 Pull-up 42H

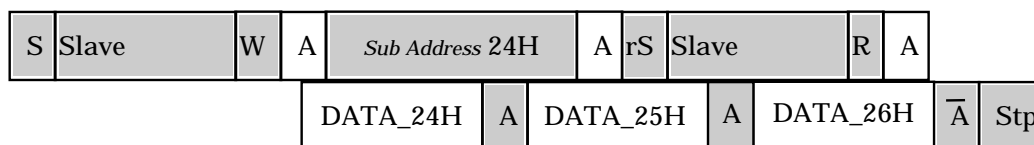
Operation :

Write Sequence:



*Continuous data writing is capable for the all registers.

Sequential Read: (Only Sub Address of 24H, 25H, 26H could be read)



S : Start Condition

by Host

A : Acknowledge(SDA LOW)

\bar{A} : Not Acknowledge(SDA HIGH)

Stp : Stop Condition

by AK8811/12

R/W: 1: Read

0:Write

- It ignores the general call

| |
|-------------------------------|
| AK8811/12 REGISTER MAP |
|-------------------------------|

| Sub Address | Name | R/W | Explanation |
|-------------|------------------|-----|---|
| 00H | Interface Mode | W | Setting Interface mode |
| 01H | Video Process 1 | W | Setting Standard (NTSC, PAL etc.) |
| 02H | Video Process 2 | W | Setting Closed Caption/Extended Data/VBID |
| 03H | Video Process 3 | W | Setting Composite signal or Component Signal Adjusting chroma/Luma Delay |
| 04H | RESERVED | | |
| 05H | DAC Mode | W | Each DAC On/Off Switch |
| 06H | Sub C. Freq. | W | Adjusting Sub-carrier frequency |
| 07H | Sub C. Phase | W | Adjusting Sub-carrier phase |
| 08H-15H | RESERVED | | |
| 16H | Closed Caption R | W | Closed Caption Lower byte Data |
| 17H | Closed Caption R | W | Closed Caption Upper byte Data |
| 18H | Closed Caption R | W | Extended Lower byte Data |
| 19H | Closed Caption R | W | Extended Upper byte Data |
| 1AH | Video ID Data | W | Video ID Lower byte Data |
| 1BH | Video ID Data | W | Video ID Upper byte Data |
| 1CH-23H | RESERVED | | |
| 24H | STS Data | R | Status |
| 25H | Device ID | R | Device ID |
| 26H | Device REV | R | Revision |
| 27H-29H | RESERVED | | |

Interface Mode Register (W only default A4H)

| Sub Add | bit 7 | bit 6 | bit 5 | bit 4 | bit 3 | bit 2 | bit 1 | bit 0 |
|---------|-------|-------|-------|-------|-------|-------|-------|-------|
| 00H | BLN4 | BLN3 | BLN2 | BLN1 | BLN0 | FID | MAS | CCIR |

| Symbol | Value | Description | |
|-------------|-------|------------------------------------|---------------|
| BLN4 - BLN0 | ***** | Line Blanking No. | default 10100 |
| FID | 0 | Select VSYNC | |
| | 1 | Select FID | default |
| MAS | 0 | Slave mode | default |
| | 1 | Master mode When CCIR=0,it's valid | |
| CCIR | 0 | CCIR656 non-decode | default |
| | 1 | CCIR656 decode | |

Video Process 1 Register (W only default 18H)

| Sub Add | bit 7 | bit 6 | bit 5 | bit 4 | bit 3 | bit 2 | bit 1 | bit 0 |
|---------|----------|-------|-------|-------|-------|-------|-------|-------|
| 01H | Reserved | CBG | SETUP | SCR | VM3 | VM2 | VM1 | VM0 |

| Symbol | Value | Description | |
|-----------|-------|-----------------------------|---------|
| CBG | 0 | Video Encode | default |
| | 1 | Generates color bar | |
| SETUP | 0 | No Set-up | |
| | 1 | 7.5 IRE Set-up | default |
| SCR | 0 | Sub C. Phase Reset off | |
| | 1 | Standard Field Reset | default |
| VM3 - VM2 | 00 | 525/60 | default |
| | 01 | 525/60 PAL (PAL-M etc.) | |
| | 10 | Reserved | |
| | 11 | PAL | |
| VM1-VM0 | 00 | 3.57954545 MHz | default |
| | 01 | 3.57561188 MHz (PAL-M only) | |
| | 10 | 3.5820558 MHz | |
| | 11 | 4.43361875 MHz | |

Register Setting of each standard is showend as following ;

| | |
|---------------|---------|
| | VM3-VM0 |
| NTSC-M | 0000 |
| PAL-B,D,G,H,I | 1111 |
| PAL-M | 0101 |
| PAL-60 | 0111 |
| NTSC4.43 | 0011 |

- When SCR is “ON”, the Subcarrier Phase is reset every 4 fields for NTSC, every 8 fields for PAL.
- Even when SETUP is “ON”, there is no Set-up (Pedestal) during the blanking lines.

Video Process 2 Register (W only default 00H)

| Sub Add | bit 7 | bit 6 | bit 5 | bit 4 | bit 3 | bit 2 | bit 1 | bit 0 |
|---------|----------|----------|----------|----------|----------|-------|-------|-------|
| 02H | Reserved | Reserved | Reserved | Reserved | Reserved | CC284 | CC21 | VBID |

| Symbol | Value | Description | |
|--------|-------|--------------------|---------|
| CC284 | 0 | Extended Data OFF | default |
| | 1 | ON | |
| CC21 | 0 | Closed Caption OFF | default |
| | 1 | ON | |
| VBID | 0 | Video ID OFF | default |
| | 1 | ON | |

Video Process 3 Register (W only default 00H)

| Sub Add | bit 7 | bit 6 | bit 5 | bit 4 | bit 3 | bit 2 | bit 1 | bit 0 |
|---------|----------|-------|-------|-------|-------|-------|-------|-------|
| 03H | Reserved | VS | SYD2 | SYD1 | SYD0 | CYD2 | CYD1 | CYD0 |

| Symbol | Value | Description | |
|-------------|-------|--|----------------|
| Video Set | 0 | Composite, S-Video set | default |
| | 1 | Component set | |
| SYD2 - SYD0 | | S-Video Y Component delay no. from Chroma: 2's comp. | default 000 |
| CYD2 - CYD0 | | Composite Y Component delay no. from Chroma: 2's comp. | default 000 |

- VS-bit selects the one of the setting of signals from the 2 signal sets (Composite, Y /C or Y/Cb/Cr)
- S video and Y component of the composite signal can be shifted for the chroma signal independently at ± 3 -system clock (27MHz).

DAC Mode Register (W only default 00H)

| Sub Add | bit 7 | bit 6 | bit 5 | bit 4 | bit 3 | bit 2 | bit 1 | bit 0 |
|---------|----------|----------|----------|----------|----------|-------|-------|-------|
| 05H | Reserved | Reserved | Reserved | Reserved | Reserved | OUTCP | OUTC | OUTY |

| Symbol | Value | Description | |
|--------|-------|---|---------|
| OUTCP | 0 | Composite video signal or U signal output : OFF | default |
| | 1 | Composite video signal or U signal output : ON | |
| OUTC | 0 | Chroma signal or V signal output : OFF | default |
| | 1 | Chroma signal or V signal output : ON | |
| OUTY | 0 | Y signal output : OFF | default |
| | 1 | Y signal output : ON | |

- Video output of AK8811/12 (DAC) can be forced “OFF” independently.
The output of DAC that is forced “OFF” is Hi-impedance. When three DACs are forced “OFF”, then the internal VREF is also forced “OFF”. In this case, it takes several milliseconds before the internal VREF reaches the proper voltage after any DAC becomes “ON”.

SubC Freq. Register (W only default 00H)

| Sub Add | bit 7 | bit 6 | bit 5 | bit 4 | bit 3 | bit 2 | bit 1 | bit 0 |
|---------|-------|-------|-------|-------|-------|-------|-------|-------|
| 06H | SUBF7 | SUBF6 | SUBF5 | SUBF4 | SUBF3 | SUBF2 | SUBF1 | SUBF0 |

| Symbol | Value | Description | |
|-------------|-------|---|-----------|
| SUBF7-SUBF0 | | Adjustment of frequency between +127 and -128 step of 0.8Hz | default 0 |

- AK8811/12 generates the necessary sub-carrier frequency from a system clock by DFS (Digital Frequency Synthesizer)
- Frequency of default is adjustable by specifying this bit. This bit adjusts the default frequency.

SubC Phase Register (W only default 00H)

| Sub Add | bit 7 | bit 6 | bit 5 | bit 4 | bit 3 | bit 2 | bit 1 | bit 0 |
|---------|-------|-------|-------|-------|-------|-------|-------|-------|
| 07H | SUBP7 | SUBP6 | SUBP5 | SUBP4 | SUBP3 | SUBP2 | SUBP1 | SUBP0 |

| Symbol | Value | description | |
|---------------|-------|--------------------|-----------|
| SUBP7 – SUBP0 | | Step: (360° /256°) | default 0 |

- Sub- carrier phase is adjustable by (360° /256) step.

Closed Caption Register (W only default 00H)

| Sub Add | bit 7 | bit 6 | bit 5 | bit 4 | bit 3 | bit 2 | bit 1 | bit 0 |
|---------|--------|--------|--------|--------|--------|--------|--------|--------|
| 16H | CC1[7] | CC1[6] | CC1[5] | CC1[4] | CC1[3] | CC1[2] | CC1[1] | CC1[0] |
| 17H | CC2[7] | CC2[6] | CC2[5] | CC2[4] | CC2[3] | CC2[2] | CC2[1] | CC2[0] |
| 18H | CC3[7] | CC3[6] | CC3[5] | CC3[4] | CC3[3] | CC3[2] | CC3[1] | CC3[0] |
| 19H | CC4[7] | CC4[6] | CC4[5] | CC4[4] | CC4[3] | CC4[2] | CC4[1] | CC4[0] |

| Symbol | Description |
|------------------------------------|---|
| CC1[7] – CC1[0] CC2[7] – CC2[0] | Line 21 -1 Line 21 -2 Closed Caption |
| CC3[7] – CC3[0] CC4[7] – CC4[0] | Line 284 -1 Line 284 -2 Extended Data |

- When the 2nd byte of Closed Caption Data and Extended Data is written in, AK8811/12 recognizes the renewed data and encodes it in the video line. When the data is not renewed AK8811/12 outputs NULL code.

Video ID Data Register (W only default 00H)

| Sub Add | bit 7 | bit 6 | bit 5 | bit 4 | bit 3 | bit 2 | bit 1 | bit 0 |
|---------|----------|----------|-------|--------|--------|--------|--------|--------|
| 1AH | Reserved | Reserved | bit 1 | bit 2 | bit 3 | bit 4 | bit 5 | bit 6 |
| 1BH | bit 7 | bit 8 | bit 9 | bit 10 | bit 11 | bit 12 | bit 13 | bit 14 |

- Please write value 0 at Reserved bit.
- Bit numbers correspond to Fig. 5 VBID code assignment.
- AK8811/12 generates CRC 6 bit data automatically.

Followings are read only register

STATUS REGISTER (R only)

| Sub Add | bit7 | bit6 | bit5 | bit4 | bit3 | bit2 | bit1 | bit0 |
|---------|----------|----------|-------|------|------|------|------|-------|
| 24H | Reserved | Reserved | EN284 | EN21 | SYNC | STS2 | STS1 | STS 0 |

| Symbol | Value | Description |
|--------------|-------|--|
| EN284 | 0 | Wait for the appointed video line to encode. |
| | 1 | Ready for the C.C. data input to the register. |
| EN21 | 0 | Wait for the appointed video line to encode. |
| | 1 | Ready for the C.C. data input to the register. |
| SYNC | 0 | Missing synchronization in slave mode. |
| | 1 | Synchronization was achieved. |
| STS2 - STS 0 | *** | Shows the processing field No. |

- Status Register becomes effective when SYNC bit turns to “1”. When in master mode operation, this bit is “1”.
- STS2-STS2 holds the field number of processing. Some time lag is inevitable for the I²C acquisition.
- Closed caption data should be renewed after firm that the EN* flag is “1”. EN* flag bit is cleared after the second byte(Sub address 17H,19H) was accessed.
- Reserved-bit is always value 0.

Device ID (R only default 21H)

| Sub Add | bit7 | bit6 | bit5 | bit4 | Bit3 | bit2 | bit1 | bit0 |
|---------|------|------|------|------|------|------|------|------|
| 25H | 0 | 0 | 0 | 1 | 0 | 0 | 0 | 1 |

- Represents device ID. AK8811 is assigned 11H.

| Sub Add | bit7 | bit6 | bit5 | bit4 | Bit3 | bit2 | bit1 | bit0 |
|---------|------|------|------|------|------|------|------|------|
| 25H | 0 | 0 | 0 | 1 | 0 | 0 | 1 | 0 |

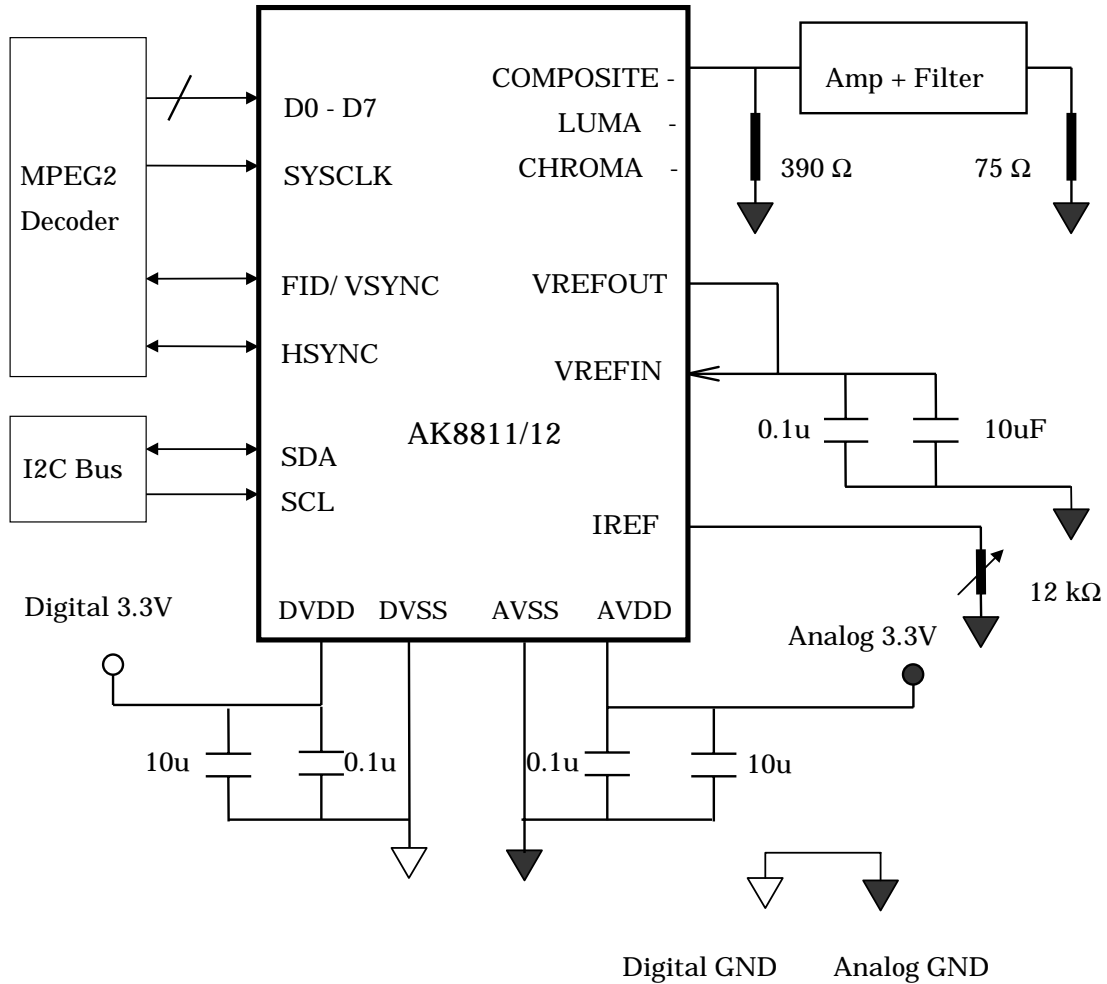
- Represents device ID. AK8811/12 is assigned 12H.

Device REV (R only default 01H)

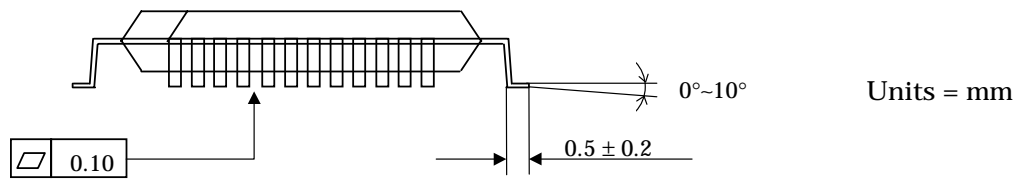
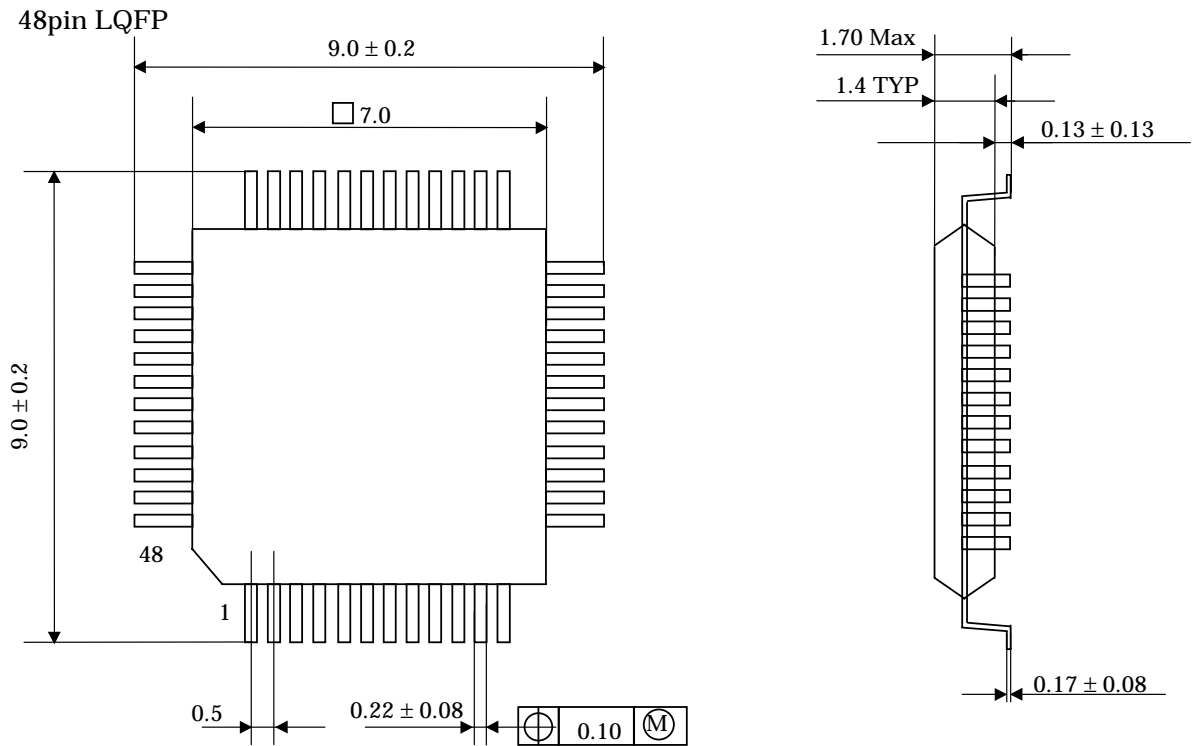
| Sub Add | bit7 | bit6 | bit5 | bit4 | Bit3 | bit2 | bit1 | bit0 |
|---------|------|------|------|------|------|------|------|------|
| 26H | 0 | 0 | 0 | 0 | 0 | 0 | 0 | 1 |

- Represents device revision. Initial is 01H.

SYSTEM CONNECTION EXAMPLE



PACKAGE



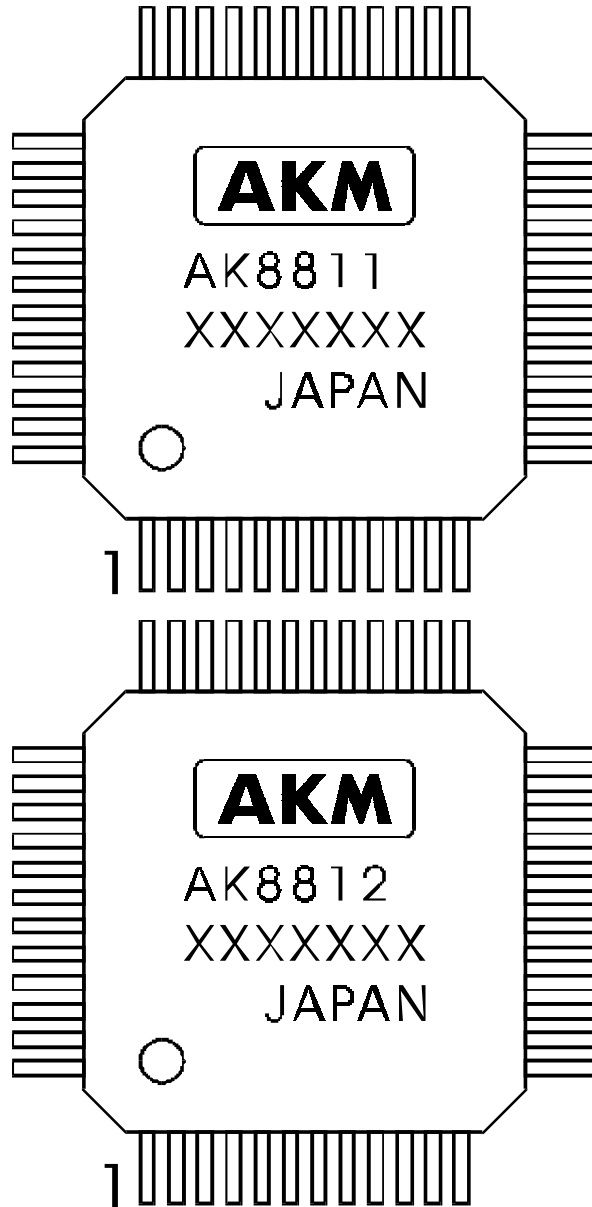
Package & Lead frame material

Package molding compound : Epoxy

Lead frame material : Cu

Lead frame surface treatment : Solder plate

MARKING



- 1) Pin #1 indication
- 2) Date Code : XXXXXX (7 digits)
- 3) Marketing Code : AK8811/AK8812
- 4) Country of Origin
- 5) Asahi Kasei Logo

IMPORTANT NOTICE

These products and their specifications are subject to change without notice. Before considering any use or application, consult the Asahi Kasei Microsystems Co., Ltd. (AKM) sales office or authorized distributor concerning their current status.

AKM assumes no liability for infringement of any patent, intellectual property, or other right in the application or use of any information contained herein.

Any export of these products, or devices or systems containing them, may require an export license or other official approval under the law and regulations of the country of export pertaining to customs and tariffs, currency exchange, or strategic materials.

AKM products are neither intended nor authorized for use as critical components in any safety, life support, or other hazard related device or system, and AKM assumes no responsibility relating to any such use, except with the express written consent of the Representative Director of AKM. As used here:

- (a) A hazard related device or system is one designed or intended for life support or maintenance of safety or for applications in medicine, aerospace, unclear energy, or other fields, in which its failure to function or perform may reasonably be expected to result in loss of life or in significant injury or damage to person or property.
- (b) A critical component is one whose failure to function or perform may reasonably be expected to result, whether directly or indirectly, in the loss of the safety or effectiveness of the device or system containing it, and which must therefore meet very high standards of performance and reliability.

It is the responsibility of the buyer or distributor of an AKM product who distributes, disposes of, or otherwise places the product with a third party to notify that party in advance of the above content and conditions, and the buyer or distributor agrees to assume any and all responsibility and liability for and hold AKM harmless from any and all claims arising from the use of said product in the absence of such notification.



LittleDiode supplies new, hard to find or obsolete electronic components and semiconductors all over the world.

With over two million different components listed you are sure to find the part you need.

Feel free to visit us today at our online store:

LittleDiode.com

Looking forward to providing you with the best possible service.