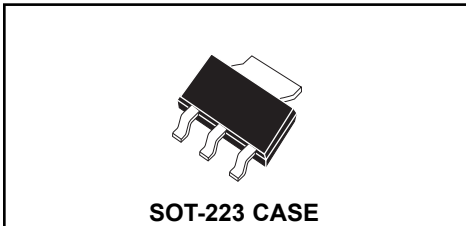


CZTA14 NPN
CZTA64 PNP

**SURFACE MOUNT
COMPLEMENTARY
SILICON DARLINGTON TRANSISTORS**



CentralTM

Semiconductor Corp.

DESCRIPTION:

The CENTRAL SEMICONDUCTOR CZTA14, CZTA64 types are complementary silicon Darlington transistors manufactured by the epitaxial planar process, epoxy molded in a surface mount package, designed for applications requiring extremely high gain.

MARKING CODE: FULL PART NUMBER

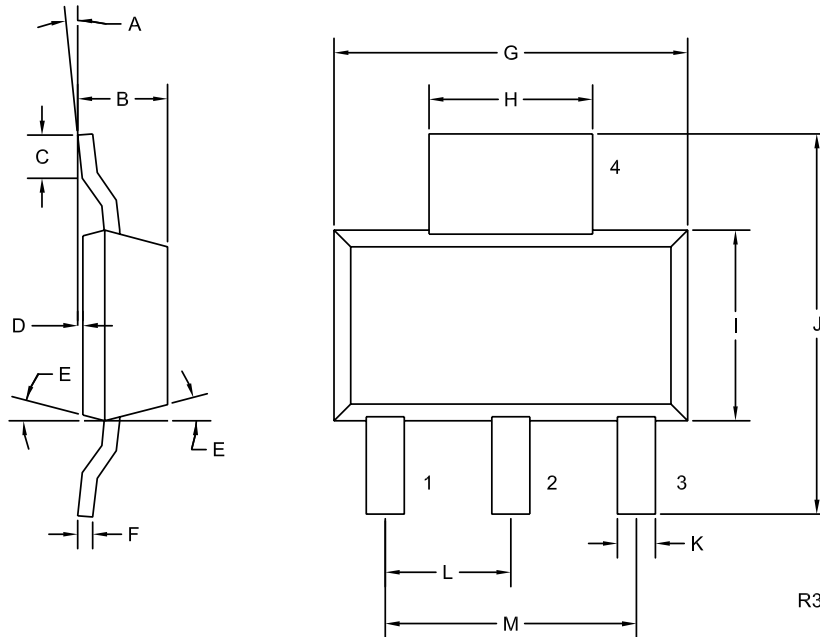
MAXIMUM RATINGS: ($T_A=25^\circ\text{C}$)

| | SYMBOL | | UNITS |
|------------------------------|----------------|-------------|--------------------|
| Collector-Base Voltage | V_{CB0} | 30 | V |
| Collector-Emitter Voltage | V_{CEO} | 30 | V |
| Emitter-Base Voltage | V_{EBO} | 10 | V |
| Continuous Collector Current | I_C | 1.0 | A |
| Power Dissipation | P_D | 2.0 | W |
| Operating and Storage | | | |
| Junction Temperature | T_J, T_{stg} | -65 to +150 | $^\circ\text{C}$ |
| Thermal Resistance | θ_{JA} | 62.5 | $^\circ\text{C/W}$ |

ELECTRICAL CHARACTERISTICS: ($T_A=25^\circ\text{C}$ unless otherwise noted)

| SYMBOL | TEST CONDITIONS | MIN | MAX | UNITS |
|---------------|--|------------|------------|--------------|
| I_{CBO} | $V_{CB}=30\text{V}$ | | 100 | nA |
| I_{EBO} | $V_{EB}=10\text{V}$ | | 100 | nA |
| BV_{CES} | $I_C=100\mu\text{A}$ | 30 | | V |
| $V_{CE(SAT)}$ | $I_C=100\text{mA}, I_B=0.1\text{mA}$ | | 1.5 | V |
| $V_{BE(ON)}$ | $V_{CE}=5.0\text{V}, I_C=100\text{mA}$ | | 2.0 | V |
| h_{FE} | $V_{CE}=5.0\text{V}, I_C=10\text{mA}$ | 10,000 | | |
| h_{FE} | $V_{CE}=5.0\text{V}, I_C=100\text{mA}$ | 20,000 | | |
| f_T | $V_{CE}=5.0\text{V}, I_C=10\text{mA}, f=100\text{MHz}$ | 125 | | MHz |

SOT-223 CASE - MECHANICAL OUTLINE



LEAD CODE:

- 1) BASE
- 2) COLLECTOR
- 3) EMITTER
- 4) COLLECTOR

**MARKING CODE:
FULL PART NUMBER**

| DIMENSIONS | | | | |
|------------|--------|-------|-------------|------|
| SYMBOL | INCHES | | MILLIMETERS | |
| | MIN | MAX | MIN | MAX |
| A | 0° | 10° | 0° | 10° |
| B | 0.059 | 0.071 | 1.50 | 1.80 |
| C | 0.018 | --- | 0.45 | --- |
| D | 0.000 | 0.004 | 0.00 | 0.10 |
| E | 15° | | 15° | |
| F | 0.009 | 0.014 | 0.23 | 0.35 |
| G | 0.248 | 0.264 | 6.30 | 6.70 |
| H | 0.114 | 0.122 | 2.90 | 3.10 |
| I | 0.130 | 0.146 | 3.30 | 3.70 |
| J | 0.264 | 0.287 | 6.70 | 7.30 |
| K | 0.024 | 0.033 | 0.60 | 0.85 |
| L | 0.091 | | 2.30 | |
| M | 0.181 | | 4.60 | |

SOT-223 (REV: R3)

R2 (17-June 2004)



LittleDiode supplies new, hard to find or obsolete electronic components and semiconductors all over the world.

With over two million different components listed you are sure to find the part you need.

Feel free to visit us today at our online store:

LittleDiode.com

Looking forward to providing you with the best possible service.