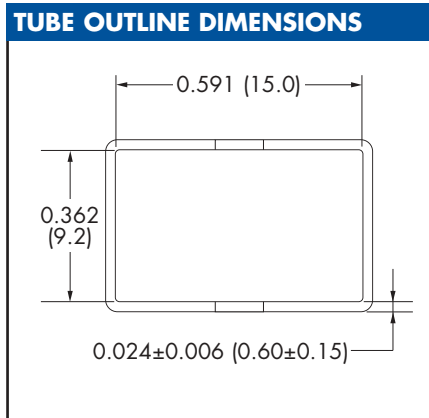


**FEATURES**

- 3.3µH to 330µH
- Surface Mounting
- Up to 5.20A IDC
- UL 94V-0 Package Materials
- Compact Size
- Toroidal Construction giving Low Leakage Flux
- Pick & Place Compatible

**DESCRIPTION**

The 4000 series is a range of surface mount toroidal inductors designed for use in switching power supplies and DC/DC converters. The parts are ideal for applications requiring low profile compact components in a surface mount package.

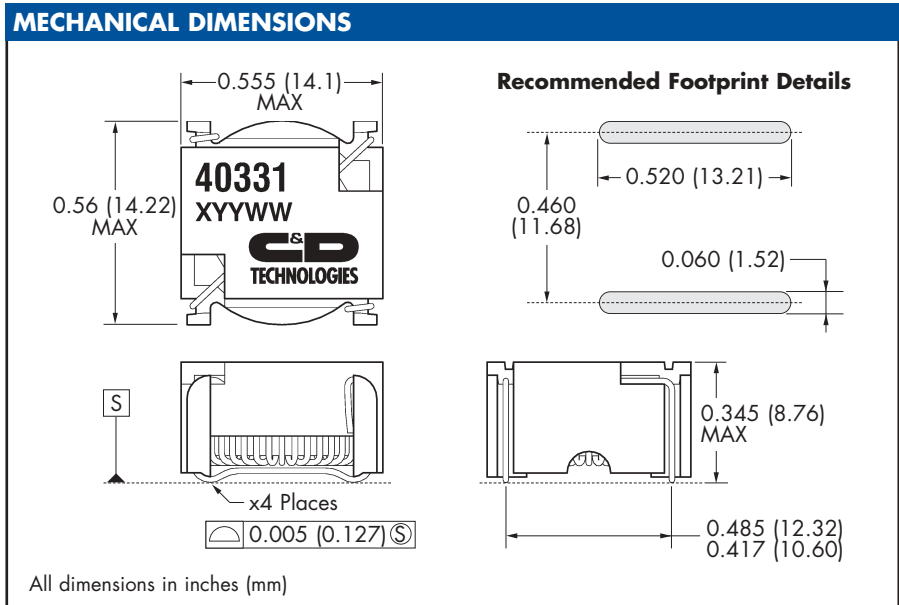


**SELECTION GUIDE**

	Nominal Inductance	Inductance Range	DC Resistance	DC Current Continuous
Order Code	µH 10kHz rms 10mV AC	µH 10kHz rms 10mV AC	mΩ MAX	A MAX
<b>403R3</b>	3.3	2.4 - 3.9	17	5.20
<b>404R7</b>	4.7	3.7 - 6.1	19	4.40
<b>406R8</b>	6.8	5.3 - 8.8	20	3.60
<b>40100</b>	10	7.2 - 12.0	23	3.00
<b>40150</b>	15	11.9 - 19.8	30	2.40
<b>40220</b>	22	16.2 - 27.0	35	2.10
<b>40330</b>	33	24.8 - 41.4	54	1.66
<b>40470</b>	47	35.3 - 58.9	79	1.42
<b>40680</b>	68	50.3 - 83.9	148	1.20
<b>40101</b>	100	74.4 - 124	177	0.94
<b>40151</b>	150	115 - 192	273	0.76
<b>40221</b>	220	165 - 275	405	0.67
<b>40331</b>	330	247 - 412	610	0.54

**PACKAGE DETAILS**

Order Code	TYP Weight (g)	Packaging Style	QTY
40XXX	3.2	Tube	30



**ABSOLUTE MAXIMUM RATINGS**

Operating free air temperature range	-40°C to 85°C
Storage temperature range	-40°C to 125°C

**C&D Technologies (NCL) Ltd**  
Tanners Drive, Blakelands North  
Milton Keynes MK14 5BU, England  
Tel: +44 (0)1908 615232  
Fax: +44 (0)1908 617545  
email: info@cdtechno-ncl.com

**C&D Technologies Inc.**  
3400 E Britannia Drive, Tucson,  
Arizona 85706, USA  
Tel: +1 (800) 547-2537  
Fax: +1 (520) 741-4598  
email: sales@cdtechno.com

C&D Technologies (NCL) Limited reserve the right to alter or improve the specification, internal design or manufacturing process at any time, without notice. Please check with your supplier or visit our web site to ensure that you have the current and complete specification for your product before use.

© C&D Technologies (NCL) Limited 2003 NMP 4000.1

No part of this publication may be copied, transmitted or stored in a retrieval system or reproduced in any way including, but not limited to, photography, photocopy, magnetic or other recording means, without prior written permission from C&D Technologies (NCL) Limited.

Instructions for use are available from: [www.cdpoweronline.com](http://www.cdpoweronline.com)



LittleDiode supplies new, hard to find or obsolete electronic components and semiconductors all over the world.

With over two million different components listed you are sure to find the part you need.

Feel free to visit us today at our online store:

**[LittleDiode.com](http://LittleDiode.com)**

Looking forward to providing you with the best possible service.