

Am8530H/Am85C30
Serial Communications Controller

1992 Technical Manual

© 1992 Advanced Micro Devices, Inc.

Advanced Micro Devices reserves the right to make changes in its products without notice in order to improve design or performance characteristics.

This publication neither states nor implies any warranty of any kind, including but not limited to implied warrants of merchantability or fitness for a particular application. AMD assumes no responsibility for the use of any circuitry other than the circuitry in an AMD product.

The information in this publication is believed to be accurate in all respects at the time of publication, but is subject to change without notice. AMD assumes no responsibility for any errors or omissions, and disclaims responsibility for any consequences resulting from the use of the information included herein. Additionally, AMD assumes no responsibility for the functioning of undescribed features or parameters.

Product names used in this publication are for identification purposes only and may be trademarks of their respective companies.

Trademarks

Z80 and ZBus are registered trademarks of Zilog, Inc.

Z8000, Z8030, and Z8530 are trademarks of Zilog, Inc.

MULTIBUS is a registered trademark of Intel Corporation

PAL is a registered trademark of Advanced Micro Devices, Inc.



PREFACE

Thank you for your interest in the SCC, one of the most popular Serial Data ICs available today. This manual is intended to provide answers to technical questions about the Am8530H and Am85C30.

If you have already used the Am8530H and are familiar with the previous editions of this Technical Manual, you will find that some chapters are virtually unchanged. The Am8030's functionality, however, has been omitted from this revision since a CMOS Am8030 was not developed. You can, however, consult the previous Am8030/8530 Technical Manual revision for information pertaining to Am8030 operation.

Functional descriptions of enhancements added to the Am85C30 have been included in this Technical Manual revision. These enhancements improve the Am85C30's functionality and allow it to be used more effectively in high-speed applications. These enhancements include:

- a 10 x 19-bit SDLC/HDLC frame status FIFO array
- a 14-bit SDLC/HDLC frame byte counter
- automatic SDLC/HDLC opening flag transmission
- automatic SDLC/HDLC Tx Underrun/EOM flag resetting
- automatic SDLC/HDLC Tx CRC generator presetting
- \overline{RTS} pin synchronization to closing SDLC/HDLC flag
- $\overline{DTR}/\overline{REQ}$ deactivation delay significantly reduced
- external PCLK to RxC or TxC synchronization requirement eliminated for PCLK divide-by-four operation
- complete SDLC/HDLC CRC character reception
- reduced \overline{INT} response time
- Write data setup time to rising edge of \overline{WR} requirement eliminated
- Write Registers WR3, WR4, WR5, and WR10 made readable

Most users read only chapters that are of interest to them. If you are designing the microcomputer hardware using the SCC as a peripheral, you will want to read the Applications Section in Chapter 7. Application notes covering the interfacing of the Am8530H (pre H-step and CMOS versions only) to the 8086/80186, 68000 processors and Am7960 Data Coded Transceiver have been included.

As was the case with the NMOS SCC, some points to look out for when using the Am85C30 are:

- Follow the worksheet for initialization (Chapter 7). Unexplainable operations may occur if this procedure is not followed.
 - Watch out for the Write Recovery time violation. The specification for this (T_{rc}) was changed on both the H-step and CMOS version. It is now referenced from falling edge to falling edge of the Read/Write pulse. T_{rc} is spec'd at 4 PCLKs for the NMOS H-step and 3 PCLKs (best case)/3.5 PCLKs for the Am85C30.
 - Ensure Mode bits are not changed when writing commands. Each Mode bit affects only one function and a Command bit entry requires a rewrite of the entire register; therefore, care must be taken to insure the integrity of the Mode bits whenever a new command is issued.
 - Any unused input pins should be tied high.
-



TABLE OF CONTENTS

Chapter 1	General Information	
1.1	Introduction	1–3
1.2	Capabilities	1–3
1.3	Block Diagram	1–5
1.4	Pin Functions	1–6
1.5	Pin Descriptions	1–8
	1.5.1 System Interface Pin Descriptions	1–8
	1.5.2 Serial Channel Pin Descriptions	1–9
Chapter 2	System Interface	
2.1	Introduction	2–3
2.2	Registers	2–3
2.3	System Timings	2–5
	2.3.1 Read Cycle	2–5
	2.3.2 Write Cycle	2–5
	2.3.3 Interrupt Acknowledge Cycle	2–5
2.4	Register Access	2–6
2.5	Am85C30 Enhancement Register Access	2–7
2.6	Reset	2–12
Chapter 3	I/O Programming Functional Description	
3.1	Introduction	3–3
3.2	Polling	3–3
3.3	Interrupt Sources	3–3
3.4	Interrupt Control	3–4
	3.4.1 Interrupt Enable Bit	3–4
	3.4.2 Interrupt Pending Bit	3–5
	3.4.3 Interrupt Under Service Bit	3–5
	3.4.4 Disable Lower Chain Bit	3–5
3.5	Interrupt Operations	3–6
	3.5.1 Multiple Interrupt Priority Resolution	3–6
	3.5.2 Interrupt Without Acknowledge	3–8
	3.5.3 Interrupt With Acknowledge With Vector	3–8
	3.5.4 Interrupt With Acknowledge Without Vector	3–10
	3.5.5 Lower Priority Interrupt Masking	3–10
3.6	Receive Interrupts	3–10
	3.6.1 Receive Interrupts Disabled	3–10
	3.6.2 Receive Interrupt on First Character or Special Condition	3–10
	3.6.3 Receive Interrupt on All Receive Characters or Special Conditions	3–11
	3.6.4 Receive Interrupt on Special Conditions	3–11
3.7	Transmit Interrupts	3–12
3.8	External/Status Interrupts	3–13
	3.8.1 Sync/Hunt	3–13
	3.8.2 Break/Abort	3–14
	3.8.3 Zero Count	3–14
	3.8.4 Tx Underrun/EOM	3–15
	3.8.5 Clear To Send	3–15
	3.8.6 Data Carrier Detect	3–15

3.9	Block Transfers	3–15
3.9.1	Wait on Transmit	3–16
3.9.2	Wait on Receive	3–16
3.9.3	DMA Requests	3–17
3.9.3.1	DMA Request on Transmit (using \overline{W}/REQ)	3–17
3.9.3.2	DMA Request on Transmit (using \overline{DTR}/REQ)	3–18
3.9.3.3	\overline{DTR}/REQ Deactivation Timing	3–19
3.9.3.4	DMA Request on Receive (using \overline{W}/REQ)	3–20
Chapter 4	Data Communication Modes Functional Description	
4.1	Introduction	4–3
4.2	Protocols	4–3
4.2.1	Asynchronous	4–3
4.2.2	Synchronous Transmission	4–4
4.2.2.1	Synchronous Character-Oriented Protocol	4–4
4.2.2.2	Synchronous Bit-Oriented	4–4
4.3	Mode Selection	4–5
4.4	Receiver Overview	4–6
4.4.1	Rx Character Length	4–7
4.4.2	Rx Parity	4–8
4.4.3	Rx Modem Control	4–9
4.5	Transmitter Overview	4–9
4.5.1	Tx Character Length	4–9
4.5.2	Tx Parity	4–11
4.5.3	Break Generation	4–11
4.5.4	Transmit Modem Control	4–11
4.5.5	Auto \overline{RTS} Reset	4–11
4.6	Asynchronous Mode Operation	4–12
4.6.1	Receiver Operation	4–12
4.6.1.1	Receiver Initialization	4–12
4.6.1.2	Framing Error	4–12
4.6.1.3	Break Detection	4–13
4.6.1.4	Clock Selection	4–13
4.6.2	Transmitter Operation	4–13
4.6.2.1	Transmitter Initialization	4–13
4.6.2.2	Stop Bit Selection	4–13
4.7	SDLC Mode Operation	4–14
4.7.1	Receiver Operation	4–14
4.7.1.1	Flag Detect Output	4–14
4.7.1.2	Receiver Initialization	4–14
4.7.1.3	10x19-Bit Frame Status FIFO	4–14
4.7.1.3.1	FIFO Enabling/Disabling	4–15
4.7.1.3.2	FIFO Read Operation	4–15
4.7.1.3.3	FIFO Write Operation	4–15
4.7.1.3.4	14-Bit Byte Counter	4–15
4.7.1.3.5	Am85C30 Frame Status FIFO Operation Clarification	4–18
4.7.1.3.6	Am85C30 Aborted Frame Handling When Using the 10x19 Frame Status FIFO	4–19
4.7.1.4	Address Search Mode	4–19
4.7.1.5	Abort Detection	4–20
4.7.1.6	Residue Bits	4–21
4.7.2	SDLC Mode CRC Polynomial Selection	4–21
4.7.2.1	Rx CRC Initialization	4–22
4.7.2.2	Rx CRC Enabling	4–22

	4.7.2.3	CRC Error	4-22
	4.7.2.4	CRC Character Reception	4-22
	4.7.3	End of Frame (EOF)	4-26
4.8		Transmitter Operation	4-27
	4.8.1	Transmitter Initialization	4-27
	4.8.2	Mark/Flag Idle Generation	4-27
	4.8.3	Auto Flag Mode	4-27
	4.8.4	Abort Generation	4-28
	4.8.5	Auto Transmit CRC Generator Preset	4-28
	4.8.6	CRC Transmission	4-28
	4.8.7	Auto Tx Underrun/EOM Latch Reset	4-29
	4.8.8	Transmitter Disabling	4-29
	4.8.9	NRZI Mode Transmitter Disabling	4-29
4.9		SDLC Loop Mode	4-30
	4.9.1	Going on Loop	4-30
	4.9.1.1	On Loop Program Sequence	4-31
	4.9.1.2	On Loop Message Transmission	4-31
	4.9.1.3	On Loop Transmit Message Programming Sequence	4-31
	4.9.2	Going off Loop	4-31
	4.9.2.1	Off Loop Programming Sequence	4-32
	4.9.3	SDLC Loop Initialization	4-32
	4.9.4	SDLC Loop NRZI Encoding Enabled	4-32
4.10		Synchronous Mode Operation	4-32
	4.10.1	Receiver Operation	4-32
	4.10.1.1	SYNC Detect Output	4-33
	4.10.1.1.1	MONOSYNC Mode	4-33
	4.10.1.1.2	BISYNC Mode	4-33
	4.10.1.2	SYNC Character Length	4-34
	4.10.1.3	Receiver Initialization	4-34
	4.10.1.4	Sync Character Removal	4-34
	4.10.1.5	CRC Polynomial Selection	4-36
	4.10.1.5.1	Rx CRC Initialization	4-36
	4.10.1.5.2	Rx CRC Enabling	4-36
	4.10.1.5.3	Rx CRC Character Exclusion	4-36
	4.10.1.5.4	CRC Error	4-37
	4.10.2	Transmitter Operation	4-37
	4.10.2.1	Transmitter Initialization	4-38
	4.10.2.2	CRC Polynomial Selection	4-38
	4.10.2.2.1	Tx CRC Initialization	4-38
	4.10.2.2.2	Tx CRC Enabling	4-38
	4.10.2.2.3	CRC Transmission	4-38
	4.10.2.2.4	Tx CRC Character Exclusion	4-39
	4.10.2.3	Transparent Transmission	4-39
	4.10.2.4	Transmitter to Receiver Synchronization	4-39
	4.10.2.4.1	Transmitter Disabling	4-40
	4.10.2.5	External SYNC Mode	4-40
	4.10.2.5.1	SDLC External SYNC Mode	4-41
	4.10.2.5.2	Synchronous External Sync Mode	4-41
Chapter 5		Support Circuitry Programming	
	5.1	Introduction	5-3
	5.2	Clock Options	5-3
	5.2.1	Crystal Oscillator	5-3
	5.2.2	Receive Clock Source	5-4
	5.2.3	Transmit Clock Source	5-4
	5.2.4	Clock Programming	5-5
	5.3	Baud Rate Generator (BRG)	5-6

5.3.1	BRG Clock Source	5-8
5.3.2	BRG Enabling/Disabling	5-8
5.3.3	BRG Initialization	5-9
5.4	Data Encoding/Decoding	5-9
5.4.1	NRZ (Non-Return to Zero)	5-9
5.4.2	NRZI (Non-Return to Zero Inverted)	5-9
5.4.3	FM1 (Biphase Mark)	5-10
5.4.4	FM0 (Biphase Space)	5-10
5.4.5	Manchester Decoding	5-10
5.4.6	Data Encoding Programming	5-10
5.5	Digital Phase-Locked Loop (DPLL)	5-10
5.5.1	DPLL Clock Source	5-11
5.5.2	DPLL Enabling	5-11
5.5.3	DPLL Modes	5-11
5.5.3.1	NRZI Mode	5-11
5.5.3.2	FM Mode	5-12
5.5.3.3	Manchester Decoding Mode	5-13
5.5.3.4	FM Mode DPLL Receive Status	5-13
5.5.4	DPLL Initialization	5-15
5.5.5	Am85C30-16 DPLL Operation at 32 MHz	5-15
5.5.5.1	Introduction	5-15
5.5.5.2	Benefit	5-15
5.5.5.3	Applications	5-15
5.5.5.4	Description	5-15
5.5.5.5	Competition	5-15
5.6	Diagnostic Modes	5-15
5.6.1	Local Loopback	5-16
5.6.2	Auto Echo	5-16

Chapter 6 Register Description

6.1	Introduction	6-3
6.2	Write Registers	6-5
6.2.1	Write Register 0 (Command Register)	6-5
6.2.2	Write Register 1 (Transmit/Receive Interrupt and Data Transfer Mode Definition)	6-7
6.2.3	Write Register 2 (Interrupt Vector)	6-9
6.2.4	Write Register 3 (Receive Parameters and Control)	6-10
6.2.5	Write Register 4 (Transmit/Receiver Miscellaneous Parameters and Modes)	6-11
6.2.6	Write Register 5 (Transmit Parameter and Controls)	6-13
6.2.7	Write Register 6 (SYNC Characters or SDLC Address Field)	6-15
6.2.8	Write Register 7 (SYNC Character or SDLC FLAG/SDLC Option Register)	6-17
6.2.9	Write Register 8 (Transmit Buffer)	6-18
6.2.10	Write Register 9 (Master Interrupt Control)	6-18
6.2.11	Write Register 10 (Miscellaneous Transmitter/Receiver Control Bits)	6-20
6.2.12	Write Register 11 (Clock Mode Control)	6-23
6.2.13	Write Register 12 (Lower Byte of Baud Rate Generator Time Constant)	6-26
6.2.14	Write Register 13 (Upper Byte of Baud Rate Generator Time Constant)	6-26
6.2.15	Write Register 14 (Miscellaneous Control Bits)	6-27
6.2.16	Write Register 15 (External/Status Interrupt Control)	6-29
6.3	Read Registers	6-30

	6.3.1	Read Register 0 (Transmit/Receive Buffer Status and External Status)	6-30
	6.3.2	Read Register 1	6-33
	6.3.3	Read Register 2	6-35
	6.3.4	Read Register 3	6-35
	6.3.5	Read Register 6	6-36
	6.3.6	Read Register 7	6-36
	6.3.7	Read Register 8	6-37
	6.3.8	Read Register 10	6-37
	6.3.9	Read Register 12	6-38
	6.3.10	Read Register 13	6-38
	6.3.11	Read Register 15	6-39
Chapter 7	SCC Application Notes		
	7.1	Am8530H Initialization	7-3
	7.1.1	Introduction	7-3
	7.1.1.1	Register Overview	7-3
	7.1.1.2	Initialization Procedure	7-4
	7.1.1.3	Initialization Table Generation	7-6
	7.1.1.4	Reset Conditions	7-6
	7.2	Polled Asynchronous Mode	7-7
	7.2.1	Introduction	7-7
	7.2.2	SCC Interface	7-8
	7.2.3	SCC Initialization	7-8
	7.2.3.1	SCC Operating Mode Programming	7-9
	7.2.3.2	SCC Operating Mode Enables	7-10
	7.2.4	Transmit and Receive Routines	7-10
	7.3	Interrupt Without Intack Asynchronous Mode	7-11
	7.3.1	Introduction	7-11
	7.3.2	SCC Interface	7-11
	7.3.3	SCC Initialization	7-11
	7.3.3.1	SCC Operating Modes Programming	7-12
	7.3.3.2	SCC Operating Mode Enables	7-13
	7.3.3.3	SCC Operating Mode Interrupts	7-13
	7.3.4	Interrupt Routine	7-14
	7.4	Interfacing to the 8086/80186	7-15
	7.4.1	8086 (Also Called iAPX86) Overview	7-15
	7.4.1.1	The 8086 and Am8530H Interface	7-15
	7.4.1.2	Initialization Routines	7-18
	7.5	Interfacing to the 68000	7-20
	7.5.1	68000 Overview	7-20
	7.5.2	The 68000 and Am8530H Without Interrupts	7-21
	7.5.3	The 68000 and Am8530H With Interrupts	7-23
	7.5.4	The 68000 and Am8530H With Interrupts via a PAL Device	7-25
	7.6	Am7960 and Am8530H Application	7-26
	7.6.1	Distributed Data Processing Overview	7-26
	7.6.2	Data Communications at the Physical Layer	7-27
	7.6.3	Hardware Considerations	7-28
	7.6.4	Software Considerations	7-32



CHAPTER 1

General Information

1.1	Introduction	1-3
1.2	Capabilities	1-3
1.3	Block Diagram	1-5
1.4	Pin Functions	1-6
1.5	Pin Descriptions	1-8
	1.5.1 System Interface Pin Descriptions	1-8
	1.5.2 Serial Channel Pin Descriptions	1-9



General Information

1.1 INTRODUCTION

The Am85C30 and Am8530H SCCs (Serial Communications Controller) are dual channel, multiprotocol data communications peripherals designed for use with 8- and 16-bit microprocessors. The SCC functions as a serial-to-parallel, parallel-to-serial converter/controller. The SCC can be software configured to satisfy a wide variety of serial communications applications, including: Bus Architectures (full- and half-duplex), Token Passing Ring (SDLC Loop mode), and Star configurations (similar to SLAN).

The SCC contains a variety of internal functions including on-chip baud rate generators, digital phase-lock loops, and crystal oscillators, which dramatically reduce the need for external logic. In addition, SDLC/HDLC enhancements have been added to the Am85C30 that allow it to be used more effectively in high speed applications.

The SCC handles asynchronous formats, synchronous character-oriented protocols such as IBM BISYNC, and Synchronous bit-oriented protocols such HDLC and IBM SDLC. This versatile device supports virtually any serial data transfer application (telecommunications, cassette, diskette, tape drivers, etc.).

The device can generate and check CRC codes in any Synchronous mode. The SCC also has facilities for Modem controls in both channels. In applications where these controls are not needed, the Modem controls can be used for general purpose I/O.

With access to the Write registers and Read registers in each channel, the user can configure the SCC so that it can handle all asynchronous formats regardless of data size, number of stop bits, or parity requirements. The SCC also accommodates all synchronous formats including character, byte, and bit-oriented protocols.

Within each operating mode, the SCC also allows for protocol variations by handling odd or even parity bits, character insertion or deletion, CRC generation and checking, break/abort generation and detection, and many other protocol-dependent features.

Unless otherwise stated, the functional description in this Technical Manual applies to both the NMOS Am8530H and CMOS Am85C30. When the enhancements in the Am85C30 are disabled, it is completely downward compatible with the Am8530H.

1.2 CAPABILITIES

- Two independent full-duplex channels
- Synchronous data rates:
 - Up to 1/4 of the PCLK (i.e., 4 Mbit/sec. maximum data rate with 16 MHz PCLK Am85C30)
 - Up to 1Mbit/second with a 16 MHz clock rate (FM encoding using DPLL in Am85C30)
 - Up to 500 Kbit/second with 16 MHz clock rate (NRZI encoding using DPLL in Am85C30)

- Asynchronous capabilities:
 - 5, 6, 7, or 8 bits per character
 - 1, 1-1/2, or 2 stop bits
 - Odd or Even Parity
 - x1, 16, 32, or 64 clock modes
 - Break generation and detection
 - Parity, Overrun and Framing Error detection
- Character-Oriented synchronous capabilities:
 - Internal or external character synchronization
 - 1 or 2 sync characters in separate registers
 - Automatic CRC generation/detection
- SDLC/HDLC capabilities:
 - Abort sequence generation and checking
 - Automatic zero bit insertion and deletion
 - Automatic flag insertion between messages
 - Address field recognition
 - I-Field residue handling
 - CRC generation/detection
 - SDLC Loop mode with EOP recognition/loop entry and exit
- Receiver data registers quadruply buffered. Transmitter data register doubly buffered
- NRZ, NRZI, or FM encoding/decoding and Manchester decoding
- Baud-rate generator in each channel
- A DPLL in each channel for clock recovery
- Crystal oscillator in each channel
- Local Loopback and Auto Echo modes

In addition, the Am85C30 provides enhancements which allow it to be used more effectively in high speed SDLC/HDLC applications. These enhancements include:

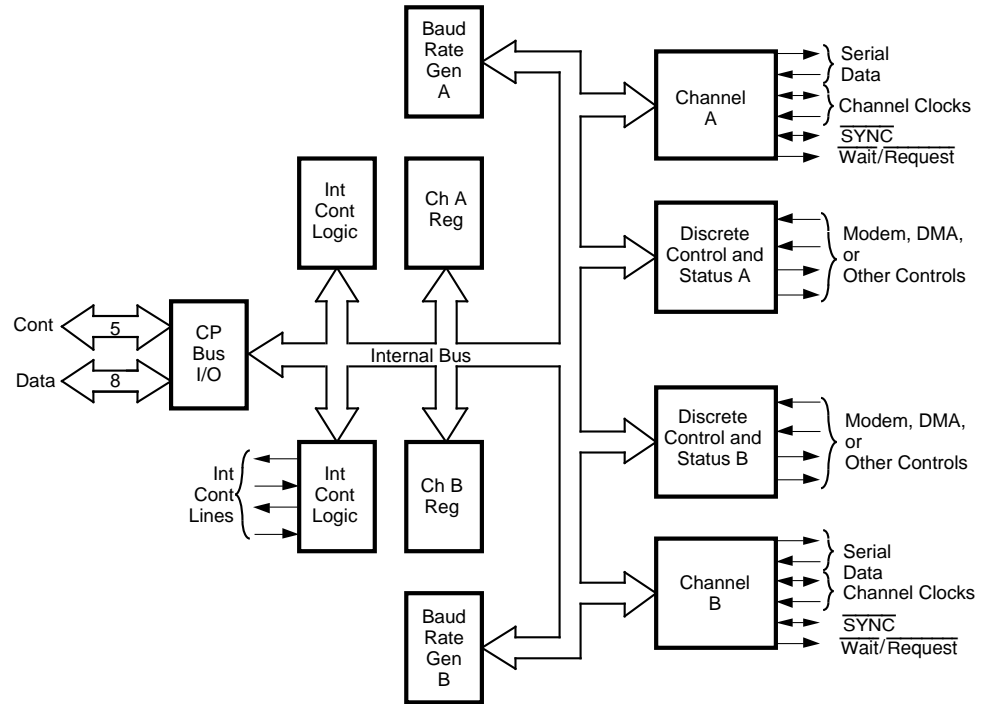
- 10 x 19-bit SDLC/HDLC frame status FIFO
- 14-bit SDLC/HDLC frame byte counter
- Automatic SDLC/HDLC opening Flag transmission
- Automatic SDLC/HDLC Tx Underrun/EOM Flag reset
- Automatic SDLC/HDLC CRC generator preset
- TxD forced High in SDLC NRZI mode when in mark idle
- RTS synchronization to closing SDLC/HDLC Flag
- DTR/REQ DMA request deactivation delay reduced
- External PCLK to \overline{RTxC} or \overline{TRxC} synchronization requirement removed for one fourth PCLK operation
- Reduced Interrupt response time
- Reduced Read/Write access recovery time (Trc) to 3 PCLK best case (3 1/2 PCLK worst case)
- Improved WAIT timing

Other enhancements which make the Am85C30 more user friendly include:

- Write data valid setup time to negative edge of write strobe requirement eliminated
- Write Registers WR3, WR4, WR5, WR10 and WR7' are readable
- Complete reception of SDLC/HDLC CRC characters
- Lower priority interrupt masking without \overline{INTACK} generation

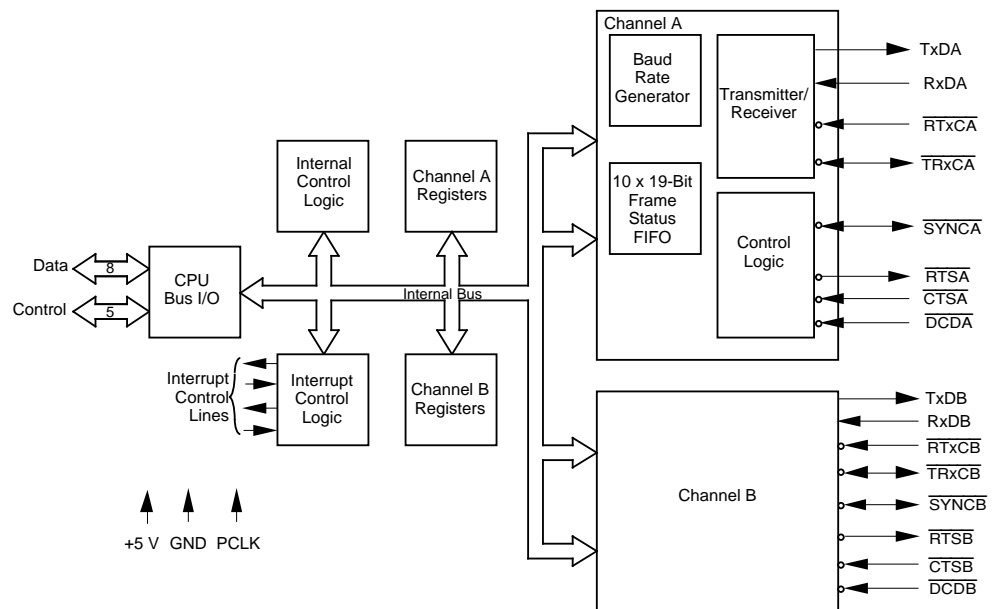
1.3 BLOCK DIAGRAM

Figure 1–1 depicts the block diagram of the Am8530H and Figure 1–2 the block diagram of the Am85C30. Data being received enters the receive data pins and follows one of several data paths, depending on the state of the control logic. The contents of the registers and the state of the external control pins establish the internal control logic. Transmitted data follows a similar pattern of control, register, and external pin definition.



07513C-001A

Figure 1–1. Am8530H Block Diagram



10216A-001A

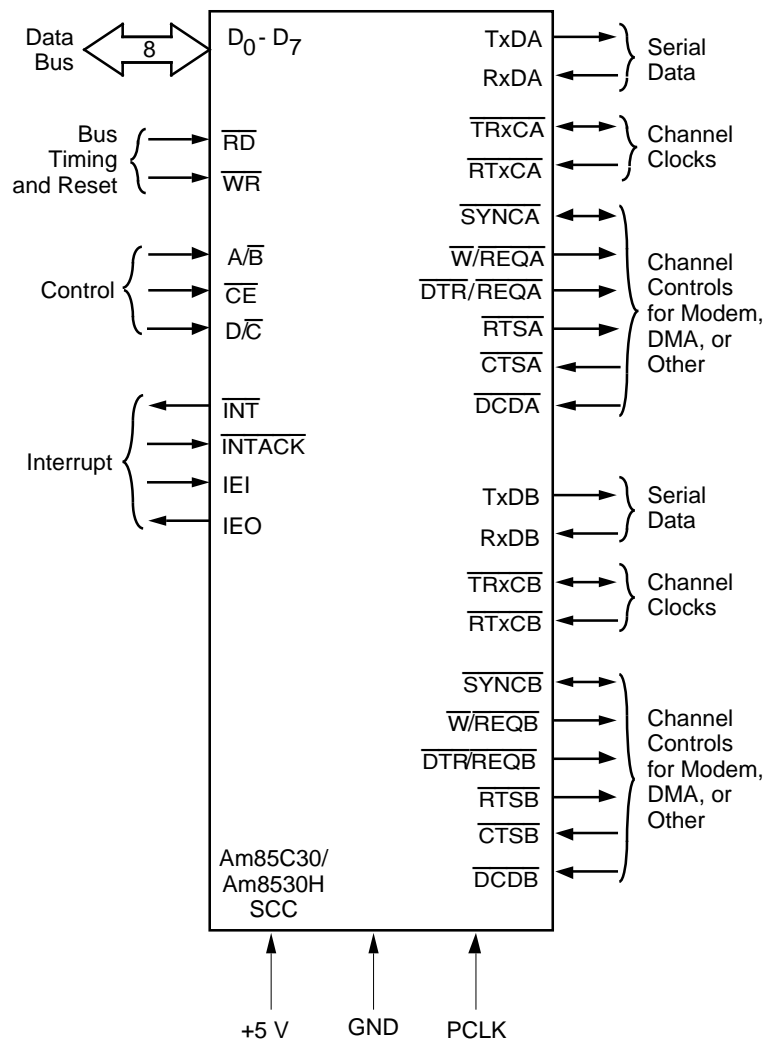
Figure 1–2. Am85C30 Block Diagram

1.4 Pin Functions

The SCC pins are divided into seven functional groups: Address/Data, Bus Timing and Reset, Device Control, Interrupt, Serial Data (both channels), Peripheral Control (both channels), and Clocks (both Channels). Figures 1–3 and 1–4 show the pins in each functional group for the 40- and 44-pin SCC versions.

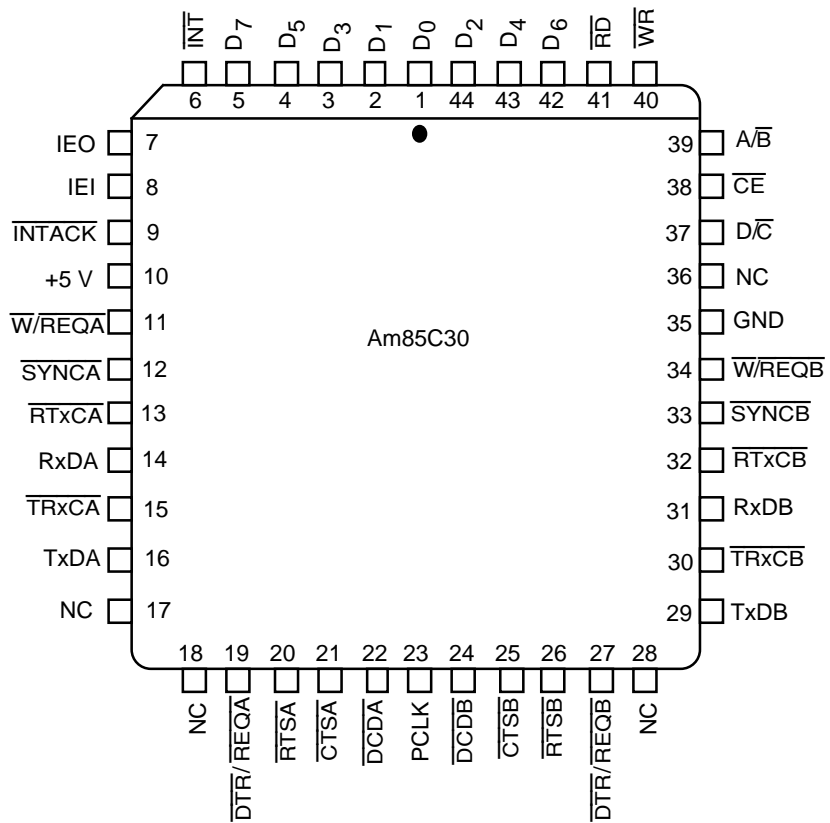
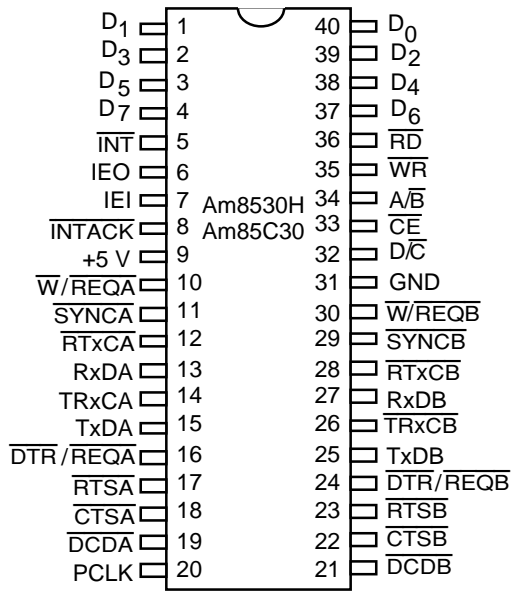
The Address/Data group consists of the bidirectional lines used to transfer data between the CPU and the SCC. The direction of these lines depends on whether the SCC is selected and whether the operation is a Read or a Write.

The Timing and Control groups designate the type of transaction to occur and when this transaction will occur. The Interrupt group provides inputs and outputs to conform to the Z-Bus specifications for handling and prioritizing interrupts. The remaining groups are divided into Channel A and Channel B groups for serial data (transmit or receive), peripheral control (such as DMA or Modem), and the input and output lines for the receive and transmit clocks.



10216A-004A

Figure 1–3. SCC Pin Functions



10216A-003A

Figure 1-4. Pin Designation for 40- and 44-Pin SCC

1.5 PIN DESCRIPTIONS

Figure 1–4 designates the pin locations and signal names for the 40- and 44-pin SCC versions.

1.5.1 System Interface Pin Descriptions

$\overline{A/B}$ — Channel A/Channel B Select (input, Channel A active High)

This signal selects the channel in which the Read or Write operation occurs and must be valid prior to the read or write strobe.

\overline{CE} — Chip Enable (input, active Low)

This signal selects the SCC for operation. It must remain active throughout the bus transaction.

D0–D7 — Data Lines (bidirectional, 3-state)

These I/O lines carry data or control information to and from the SCC.

D/\overline{C} — Data/Control (input, data active High)

This signal defines the type of information transfer performed by the SCC: data or control. The state of this signal must be valid prior to the read or write strobe.

\overline{RD} — Read (input, active Low)

This signal indicates a Read operation and, when the SCC is selected, enables the SCC bus drivers. During the interrupt acknowledge cycle, this signal gates the interrupt vector onto the bus provided that the SCC is the highest priority device requesting an interrupt.

\overline{WR} — Write (input, active Low)

When the SCC is selected, this signal indicates a Write operation. On the NMOS Am8530H data must be valid prior to the rising edge of write strobe. The Am85C30 does not share this requirement. The coincidence of \overline{RD} and \overline{WR} is interpreted as a Reset.

IEI* — Interrupt Enable In (input, active High)

IEI is used with IEO to form an interrupt daisy chain when there is more than one interrupt-driven device. A High on IEI indicates that no other higher priority device has an Interrupt Under Service (IUS) or is requesting an interrupt.

IEO — Interrupt Enable Out (output, active High)

IEO is High only if IEI is High and the CPU is not servicing an SCC or SCC interrupt or the controller is not requesting an interrupt (interrupt acknowledge cycle only). IEO is connected to the next lower priority device's IEI input and thus inhibits interrupts from lower priority devices.

\overline{INTACK}^* — Interrupt Acknowledge (input, active Low)

This signal indicates an active interrupt acknowledge cycle. During this cycle, the interrupt daisy chain settles. When \overline{RD} becomes active, the SCC places an interrupt vector on the data bus (if IEI is High). \overline{INTACK} is latched by the rising edge of PCLK.

\overline{INT} — Interrupt Request (output, open-drain, active Low)

This signal is activated when the SCC is requesting an interrupt.

Note: *Pull-up resistors are needed on \overline{INTACK} and IEI inputs if they are not driven by the system and for the \overline{INT} output. If \overline{INTACK} or IEI are left floating, the Am85C30 will malfunction. \overline{INT} is an open drain output and must be pulled up to keep a logical high level.

1.5.2 Serial Channel Pin Descriptions

$\overline{\text{CTSA}}$, $\overline{\text{CTSB}}$ — Clear to Send (inputs, active Low)

If the Auto Enable bit in WR3 (D5) is set, a Low on these inputs enables the respective transmitter; otherwise they may be used as general-purpose inputs. Both inputs are Schmitt-trigger buffered to accommodate slow rise-time inputs. The SCC detects transitions on these inputs and, depending on whether or not other External/Status Interrupts are pending, can interrupt the processor on either logic level transitions.

$\overline{\text{DCDA}}$, $\overline{\text{DCDB}}$ — Data Carrier Detect (inputs, active Low)

These pins function as receiver enables if the Auto Enable bit in WR3 (D5) is set; otherwise they may be used as general-purpose input pins. Both pins are Schmitt-trigger buffered to accommodate slow rise-time signals. The SCC detects transitions on these inputs and, depending on whether or not other External/Status Interrupts are pending, can interrupt the processor on either logic level transitions.

$\overline{\text{DTR/REQA}}$, $\overline{\text{DTR/REQB}}$ — Data Terminal Ready/Request (outputs, active Low)

These pins function as DMA requests for the transmitter if bit D2 of WR14 is set; otherwise they may be used as general-purpose outputs following the state programmed into the DTR bit.

PCLK — Clock (input)

This is the master clock used to synchronize internal signals. PCLK is not required to have any phase relationship with the master system clock.

$\overline{\text{RTSA}}$, $\overline{\text{RTSB}}$ — Request to Send (outputs, active Low)

When the Request to Send (RTS) bit in WR5 is set, the $\overline{\text{RTS}}$ pin goes Low. When the RTS bit is reset in the Asynchronous mode and the Auto Enable bit in WR3 (D5) is set, the signal goes High after the transmitter is empty. In Synchronous mode or Asynchronous mode with the Auto Enable bit reset, the $\overline{\text{RTS}}$ pins strictly follow the state of the RTS bits. Both pins can be used as general-purpose outputs. Request to send outputs are not affected by the state of the Auto Enable (D5) bit in WR3 in synchronous mode.

$\overline{\text{RTxCA}}$, $\overline{\text{RTxCB}}$ — Receive/Transmit Clocks (inputs, active Low)

The functions of these pins are under program control. In each channel, $\overline{\text{RTxC}}$ may supply the receive clock, the transmit clock, the clock for the baud rate generator, or the clock for the digital phase-locked loop. These pins can also be programmed for use with the respective $\overline{\text{SYNC}}$ pins as a crystal oscillator. The receive clock may be 1, 16, 32, or 64 times the data rate in Asynchronous mode.

If a clock is supplied on these pins in NRZI or NRZ mode serial data on the RxD pin will be sampled on the rising edge of these pins. In FM mode, RxD is sampled on both clock edges.

$\overline{\text{RxDA}}$, $\overline{\text{RxDB}}$ — Receive Data (inputs, active High)

Serial data is received through these pins.

$\overline{\text{SYNCA}}$, $\overline{\text{SYNCB}}$ — Synchronization (inputs/outputs, active Low)

These pins can act as either inputs, outputs, or as part of the crystal oscillator circuit. In the Asynchronous mode (crystal oscillator option not selected), these pins are inputs similar to $\overline{\text{CTS}}$ and $\overline{\text{DCD}}$. In this mode, transitions on these lines affect the state of the SYNC/HUNT status bit in Read Register 0, but have no other function.

In External Synchronization mode, with the crystal oscillator not selected, these lines also act as inputs. In this mode, SYNC must be driven Low two receive clock cycles after the last bit of the sync character is received. Character assembly begins on the rising edge of the receive clock immediately following the activation of SYNC.

In the Internal Synchronization mode (Monosync and Bisync), with the crystal oscillator not selected, these pins act as outputs and are active only during the part of the receive clock cycle in which sync characters are recognized. The sync condition is not latched, so

these outputs are active each time a sync character is recognized (regardless of character boundaries). In SDLC mode, these pins act as outputs and are valid on receipt of a flag.

TRxCA, TRxCB — Transmit/Receive Clocks (inputs or outputs, active Low)

The functions of these pins are under program control. $\overline{\text{TRxC}}$ may supply the receive clock or the transmit clock in the Input mode or supply the output of the digital phase-locked loop, the crystal oscillator, the baud rate generator, or the transmit clock in the output mode. If a clock is supplied on these pins in NRZI or NRZ mode serial data on the TxD pin will be clocked out on the negative edge of these pins. In FM mode, TxD is clocked on both clock edges.

TxDA, TxDB — Transmit Data (outputs, active High)

Serial data from the SCC is sent out these pins.

$\overline{\text{W/REQA}}$, $\overline{\text{W/REQB}}$ — Wait/Request (outputs, open drain and switches from floating to Low when programmed for Wait function, driven from High to Low when programmed for a Request function)

These dual-purpose outputs can be programmed as either transmit or receive request lines for a DMA controller, or as Wait lines to synchronize the CPU to the SCC data rate. The reset state is Wait.



CHAPTER 2

System Interface

2.1	Introduction	2-3
2.2	Registers	2-3
2.3	System Timings	2-5
2.3.1	Read Cycle	2-5
2.3.2	Write Cycle	2-5
2.3.3	Interrupt Acknowledge Cycle	2-5
2.4	Register Access	2-6
2.5	Am85C30 Enhancement Register Access	2-7
2.6	Reset	2-12



System Interface

2.1 INTRODUCTION

The SCC internal structure provides all the interrupt and control logic necessary to interface with non-multiplexed buses. Interface logic is also provided to monitor modem or peripheral control inputs or outputs. All of the control signals are general-purpose and can be applied to various peripheral devices as well as used for modem control.

The center for data activity revolves around the internal read and write registers. The programming of these registers provides the SCC with functional “personality;” i.e. register values can be assigned before or during program sequencing to determine how the SCC will establish a given communication protocol.

This chapter covers the details of interfacing the SCC to a system. The general timing requirements are described but the respective data sheets must be referred to for specific A.C. numbers.

2.2 REGISTERS

All modes of communication are established by the bit values of the write registers. As data are received or transmitted, read register values may change. These changed values can promote software action or internal hardware action for further register changes.

The register set for each channel includes several write and read registers. Ten write registers are used for control, two for sync character generation, and two for the on-chip baud rate generator. Two additional write registers are shared by both channels; one is used as the interrupt vector and one as the master interrupt control. Both registers are accessed and shared by either channel.

Six read registers indicate status functions; two are used by the baud rate generator, and one by the receiver buffer. The remaining two read registers are shared by both channels; one for interrupt pending bits and one for the interrupt vector. On the Am85C30 three additional registers are available. Refer to Chapter 4 and Chapter 6 for further details on these registers.

Table 2–1 summarizes the assigned functions for each read and write register. Chapter 6 provides a detailed bit legend and description of each register.

Table 2–1. Register Set

Read Register Functions	
RR0	Transmit/Receive buffer status, and External status
RR1	Special Receive Condition status, residue codes, error conditions
RR2	Modified (Channel B only) interrupt vector and Unmodified interrupt vector (Channel A only)
RR3	Interrupt Pending bits (Channel A only)
*RR6	14-bit frame byte count (LSB)
*RR7	14-bit frame byte count (MSB), frame status
RR8	Receive buffer
RR10	Miscellaneous XMTR, RCVR status parameters
RR12	Lower byte of baud rate generator time constant
RR13	Upper byte of baud rate generator time constant
RR15	External/Status interrupt control information
* Available only when Am85C30 is programmed in enhanced mode.	
Write Register Functions	
WR0	Command Register, (Register Pointers), CRC initialization, resets for various modes
WR1	Interrupt conditions, Wait/DMA request control
WR2	Interrupt vector (access through either channel)
WR3	Receive/Control parameters, number of bits per character, Rx CRC enable
WR4	Transmit/Receive miscellaneous parameters and codes, clock rate, number of sync characters, stop bits, parity
WR5	Transmit parameters and control, number of Tx bits per character, Tx CRC enable
WR6	Sync character (1st byte) or SDLC address
WR7	SYNC character (2nd byte) or SDLC flag
**WR7'	SDLC options; auto flag, RTS, EOM reset, extended read, etc.
WR8	Transmit buffer
WR9	Master interrupt control and reset (accessed through either channel), reset bits, control interrupt daisy chain
WR10	Miscellaneous transmitter/receiver control bits, NRZI, NRZ, FM encoding, CRC reset
WR11	Clock mode control, source of Rx and Tx clocks
WR12	Lower byte of baud rate generator time constant
WR13	Upper byte of baud rate generator time constant
WR14	Miscellaneous control bits: baud rate generator, Phase-Locked Loop control, auto echo, local loopback
WR15	External/Status interrupt control information-control external conditions causing interrupts

** Only available in Am85C30.

2.3 SYSTEM TIMINGS

Two control signals, \overline{RD} and \overline{WR} , are used by the SCC to time bus transactions. In addition, four other control signals, \overline{CE} , D/\overline{C} , A/\overline{B} and \overline{INTACK} are used to control the type of bus transaction that will occur.

A bus transaction starts when the D/\overline{C} and A/\overline{B} pins are asserted prior to the negative edge of the \overline{RD} or \overline{WR} signal. The coincidence of \overline{CE} and \overline{RD} or \overline{CE} and \overline{WR} latches the state of D/\overline{C} and A/\overline{B} and starts the internal operation. The \overline{INTACK} signal must have been previously sampled High by a rising edge of PCLK for a read or write cycle to occur. In addition to sampling \overline{INTACK} , PCLK is used by the interrupt section to set the Interrupt Pending (IP) bits.

The SCC generates internal control signals in response to a register access. Since \overline{RD} and \overline{WR} have no phase relationship with PCLK, the circuitry generating these internal control signals provide time for metastable conditions to disappear. This results in a recovery time related to PCLK. This recovery time applies only between transactions involving the Am8530H/Am85C30, and any intervening transactions are ignored. This recovery time is four PCLK cycles, measured from the falling edge of \overline{RD} or \overline{WR} for a read or write cycle of any SCC register on the Am8530H-step and 3 or 3.5 PCLK cycles for the Am85C30.

Note that \overline{RD} and the \overline{WR} inputs are ignored until \overline{CE} is activated. The falling edge of \overline{RD} and \overline{WR} can be substituted for the falling edge of \overline{CE} or vice versa for calculating proper pulse width for \overline{RD} or \overline{WR} low. In other words, if \overline{CE} goes active after \overline{RD} or \overline{WR} have gone active for a read or a write cycle, respectively, \overline{CE} must stay active as long as the minimum pulse width for \overline{RD} and \overline{WR} .

2.3.1 Read Cycle

The Read cycle timing for the SCC is shown in Figure 2–1. The A/\overline{B} and D/\overline{C} pins are latched by the coincidence of \overline{RD} and \overline{CE} active. \overline{CE} must remain Low and \overline{INTACK} must remain High throughout the cycle. The SCC bus drivers are enabled while \overline{CE} and \overline{RD} are both Low. A read with D/\overline{C} High does not disturb the state of the pointers and a read cycle with D/\overline{C} Low resets the pointers to zero after the internal operation is complete.

2.3.2 Write Cycle

The Write cycle timing for the SCC is shown in Figure 2–2. The A/\overline{B} and D/\overline{C} pins are latched by the coincidence of \overline{WR} and \overline{CE} active. \overline{CE} must remain Low and \overline{INTACK} must remain High throughout the cycle. A write cycle with D/\overline{C} High does not disturb the state of the pointers and a write cycle with D/\overline{C} Low resets the pointers to zero after the internal operation is complete.

2.3.3 Interrupt Acknowledge Cycle

The Interrupt Acknowledge cycle timing for the SCC is shown in Figure 2–3. The state of \overline{INTACK} is latched by the rising edge of PCLK. While \overline{INTACK} is Low, the state of the A/\overline{B} , D/\overline{C} , and \overline{WR} pins is ignored by the SCC. Between the time \overline{INTACK} is first sampled Low and the time \overline{RD} falls, the internal and external IEI/IEO daisy chains settle; this is A.C. parameter #38 TdIAi (RD).

If there is an interrupt pending in the SCC, and IEI is High when \overline{RD} falls, the Interrupt Acknowledge cycle is intended for the SCC. This being the case, the SCC sets the appropriate Interrupt Under Service (IUS) latch, and places an interrupt vector on D0–D7. If the falling edge of \overline{RD} sets an IUS bit in the SCC, the \overline{INT} pin goes inactive in response to the falling edge. Note that there should be only one RD per Acknowledge cycle.

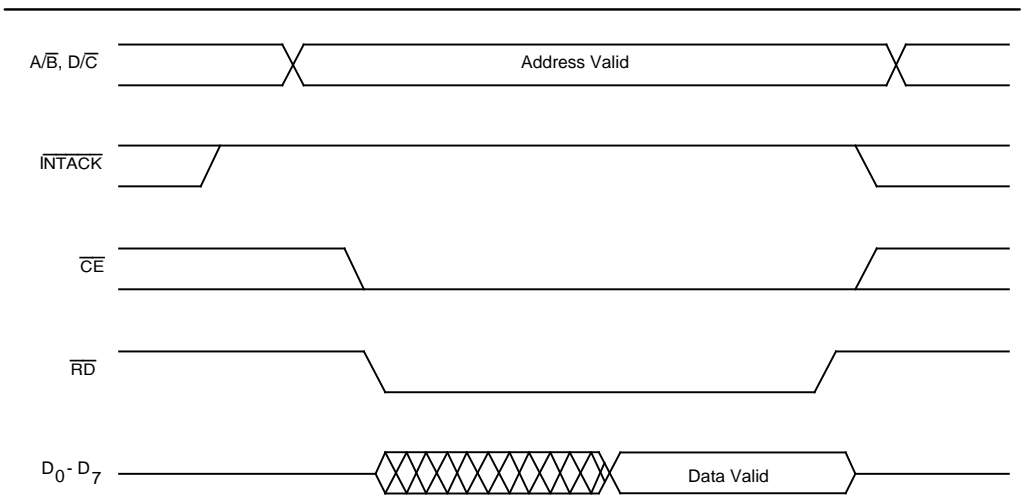
Another important fact is that the IP bits in the SCC are updated by a clock half the frequency of PCLK, and this clock is stopped while the pointers point to RR2 and RR3; thus the interrupt requests will be delayed if the pointers are left pointing at these registers.

2.4 REGISTER ACCESS

The registers in the SCC are accessed in a two-step process, using a Register Pointer to perform the addressing. To access a particular register, the pointer bits must be set by writing to WR0. The pointer bits may be written in either channel because only one set exists in the SCC. After the pointer bits are set, the next read or write cycle of the SCC having D/\overline{C} Low will access the desired register. At the conclusion of this read or write cycle, the pointer bits are automatically reset to '0', so that the next control write will be to the pointers in WR0.

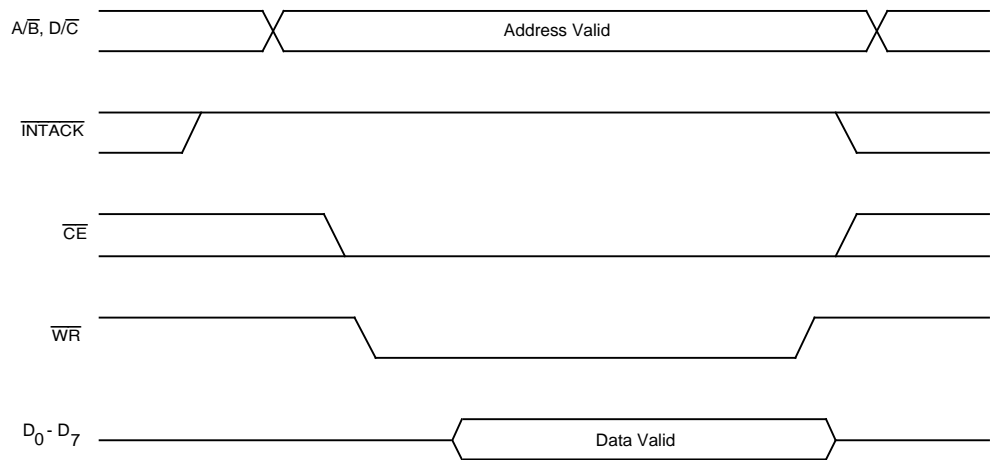
A read from RR8 (the Receive Buffer) or a write to WR8 (Transmit Buffer) may either be done in this fashion or by accessing the SCC having the D/\overline{C} pin High. A read or write with D/\overline{C} High accesses the receive or transmit buffers directly, and independently, of the state of the pointer bits. This allows single-cycle access to the receive or transmit buffers and does not disturb the pointer bits. The fact that the pointer bits are reset to '0', unless explicitly set otherwise, means that WR0 and RR0 may also be accessed in a single cycle. That is, it is not necessary to write the pointer bits with '0' before accessing WR0 or RR0. There are three pointer bits in WR0, and these allow access to the registers with addresses 0 through 7. Note that a command may be written to WR0 at the same time that the pointer bits are written. To access the registers with addresses 8 through 15, a special command (point high in WR0) must accompany the pointer bits. This precludes concurrently issuing a command (point high in WR0) when pointing to these registers. The SCC register map is shown in Table 2–2. PNT_2 , PNT_1 and PNT_0 are bits D2, D1 and D0 in WR0, respectively.

If for some reason the state of the pointer bits is unknown, they may be reset to '0' by performing a read cycle with the D/\overline{C} pin held Low. Once the pointer bits have been set, the desired channel is selected by the state of the A/\overline{B} pin during the actual read or write of the desired register.



10216A-009A

Figure 2–1. SCC Read Cycle



10216A-010A

Figure 2-2. SCC Write Cycle

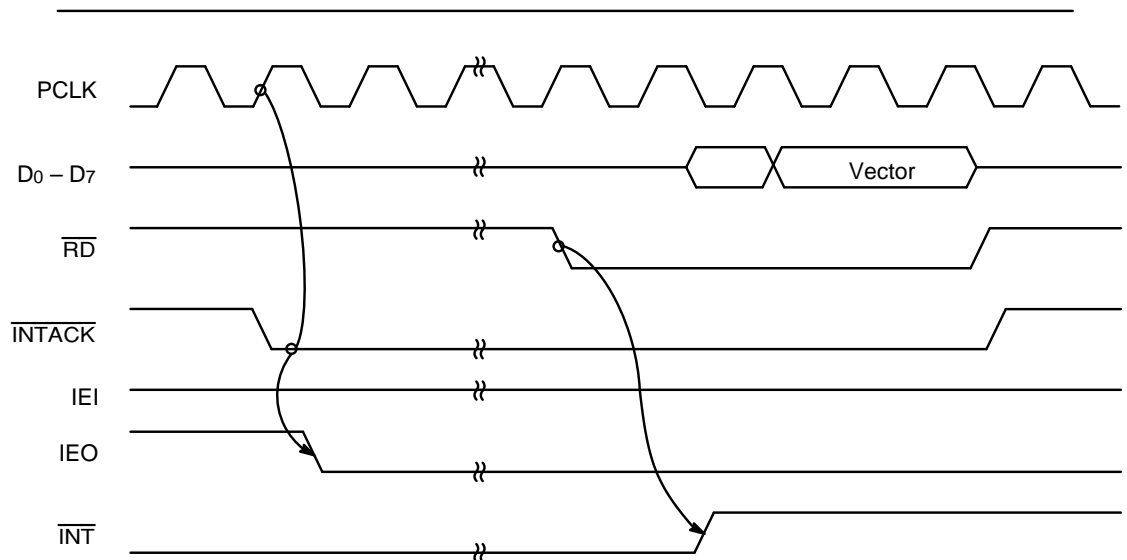


Figure 2-3. Interrupt Acknowledge Cycle

2.5 Am85C30 Enhancement Register Access

SDLC/HDLC enhancements on the Am85C30 are enabled or disabled via bits D2 and D0 in WR15. Bit D2 determines whether or not the 10x19-bit SDLC/HDLC frame status FIFO is enabled while bit D0 determines whether or not other SDLC/HDLC mode enhancements are enabled via WR7'. Table 2-3 shows what functions on the Am85C30 are enabled when these bits are set.

When bit D2 of WR15 is set to '1', two additional registers (RR6 and RR7) per channel specific to the 10x19-bit frame status FIFO are made available. The Am85C30 register map when this function is enabled is shown in Table 2-4.

Table 2–2. SCC Register Map

A/B	PNT ₂	PNT ₁	PNT ₀	WRITE	READ
0	0	0	0	WR0B	RR0B
0	0	0	1	WR1B	RR1B
0	0	1	0	WR2	RR2B
0	0	1	1	WR3B	RR3B
0	1	0	0	WR4B	(RR0B)
0	1	0	1	WR5B	(RR1B)
0	1	1	0	WR6B	(RR2B)
0	1	1	1	WR7B	(RR3B)
1	0	0	0	WR0A	RR0A
1	0	0	1	WR1A	RR1A
1	0	1	0	WR2	RR2A
1	0	1	1	WR3A	RR3A
1	1	0	0	WR4A	(RR0A)
1	1	0	1	WR5A	(RR1A)
1	1	1	0	WR6A	(RR2A)
1	1	1	1	WR7A	(RR3A)

Table 2–2. SCC Register Map (Continued)

A/B	PNT ₂	PNT ₁	PNT ₀	WRITE	READ
With the Point High command: [D5–3 (WR0) = 001]					
0	0	0	0	WR8B	RR8B
0	0	0	1	WR9	(RR13B)
0	0	1	0	WR10B	RR10B
0	0	1	1	WR11B	(RR15B)
0	1	0	0	WR12B	RR12B
0	1	0	1	WR13B	RR13B
0	1	1	0	WR14B	(RR10B)
0	1	1	1	WR15B	RR15B
1	0	0	0	WR8A	RR8A
1	0	0	1	WR9	(RR13A)
1	0	1	0	WR10A	RR10A
1	0	1	1	WR11A	(RR15A)
1	1	0	0	WR12A	RR12A
1	1	0	1	WR13A	RR13A
1	1	1	0	WR14A	(RR10A)
1	1	1	1	WR15A	RR15A

Table 2–3. Enhancement Options

WR15 bit D2 10x19-bit FIFO Enabled	WR15 D0 SDLC/HDLC Enhance Enabled	WR7' bit D6 Extended Read Enable	Functions Enabled
1	0	x	10x19-bit FIFO enhancement enabled only
0	1	0	SDLC/HDLC enhancements enabled only
0	1	1	SDLC/HDLC enhancements enabled with extended read enabled
1	1	0	10x19-bit FIFO and SDLC/HDLC enhancements enabled
1	1	1	10x19-bit FIFO and SDLC/HDLC enhancements with extended read enabled

Bit D0 of WR15 determines whether or not other enhancements pertinent only to SDLC/HDLC Mode operation are available for programming via WR7' as shown below. Write Register 7 prime (WR7') can be written to when bit D0 of WR15 is set to '1'. When this bit is set, writing to WR7 (flag register) actually writes to WR7'. If bit D6 of this register is set to '1', previously unreadable registers WR3, WR4, WR5, WR10 are readable by the processor. In addition, WR7' is also readable by having this bit set. WR3 is read when a bogus RR9 register is accessed during a read cycle, WR10 is read by accessing RR11, and WR7' is accessed by executing a read to RR14. The Am85C30 register map with bit D0 of WR15 and bit D6 of WR7' set is shown in Table 2–5.

Table 2–4. 10 x 19-Bit FIFO Enabled

A/B	PNT ₂	PNT ₁	PNT ₀	WRITE	READ
0	0	0	0	WR0B	RR0B
0	0	0	1	WR1B	RR1B
0	0	1	0	WR2	RR2B
0	0	1	1	WR3B	RR3B
0	1	0	0	WR4B	(RR0B)
0	1	0	1	WR5B	(RR1B)
0	1	1	0	WR6B	RR6B
0	1	1	1	WR7B	RR7B
1	0	0	0	WR0A	RR0A
1	0	0	1	WR1A	RR1A
1	0	1	0	WR2	RR2A
1	0	1	1	WR3A	RR3A
1	1	0	0	WR4A	(RR0A)
1	1	0	1	WR5A	(RR1A)
1	1	1	0	WR6A	RR6A
1	1	1	1	WR7A	RR7A
With the Point High command:					
0	0	0	0	WR8B	RR8B
0	0	0	1	WR9	(RR13B)
0	0	1	0	WR10B	RR10B
0	0	1	1	WR11B	(RR15B)
0	1	0	0	WR12B	RR12B
0	1	0	1	WR13B	RR13B
0	1	1	0	WR14B	(RR10B)
0	1	1	1	WR15B	RR15B
1	0	0	0	WR8A	RR8A
1	0	0	1	WR9	(RR13A)
1	0	1	0	WR10A	RR10A
1	0	1	1	WR11A	(RR15A)
1	1	0	0	WR12A	RR12A
1	1	0	1	WR13A	RR13A
1	1	1	0	WR14A	(RR10A)
1	1	1	1	WR15A	RR15A

Table 2–5. SDLC/HDLC Enhancements Enabled

A/B	PNT ₂	PNT ₁	PNT ₀	WRITE	READ
0	0	0	0	WR0B	RR0B
0	0	0	1	WR1B	RR1B
0	0	1	0	WR2	RR2B
0	0	1	1	WR3B	RR3B
0	1	0	0	WR4B	RR4B(WR4B)
0	1	0	1	WR5B	RR5B(WR5B)
0	1	1	0	WR6B	(RR6B)
0	1	1	1	WR7B	(RR7B)
1	0	0	0	WR0A	RR0A
1	0	0	1	WR1A	RR1A
1	0	1	0	WR2	RR2A
1	0	1	1	WR3A	RR3A
1	1	0	0	WR4A	RR4A(WR4A)
1	1	0	1	WR5B	RR5A(WR5A)
1	1	1	0	WR6A	(RR2A)
1	1	1	1	WR7A	(RR3A)
With the Point High command:					
0	0	0	0	WR8B	RR8B
0	0	0	1	WR9	RR9(WR3B)
0	0	1	0	WR10B	RR10B
0	0	1	1	WR11B	RR11B(WR10B)
0	1	0	0	WR12B	RR12B
0	1	0	1	WR13B	RR13B
0	1	1	0	WR14B	RR14B(WR7'B)
0	1	1	1	WR15B	RR15B
1	0	0	0	WR8A	RR8A
1	0	0	1	WR9	RR9A(WR3A)
1	0	1	0	WR10A	RR10A
1	0	1	1	WR11A	RR11A(WR10A)
1	1	0	0	WR12A	RR12A
1	1	0	1	WR13A	RR13A
1	1	1	0	WR14A	RR14A(WR7'A)
1	1	1	1	WR15A	RR15A

D7	D6	D5	D4	D3	D2	D1	D0
0	Ext. Read Enable	Rx comp. CRC	$\overline{\text{DTR/REQ}}$ Fast Mode	Force Txd High	Auto RTS Turnoff	Auto EOM Reset	Auto Tx Flag

WR7'—SDLC/HDLC Enhancement

If both bits D0 and D2 of WR15 are set to '1' then the Am85C30 register map is as shown in Table 2–6.

Table 2–6. Register Set—All Enhancements Enabled

A/ \overline{B}	PNT ₂	PNT ₁	PNT ₀	WRITE	READ
0	0	0	0	WR0B	RR0B
0	0	0	1	WR1B	RR1B
0	0	1	0	WR2	RR2B
0	0	1	1	WR3B	RR3B
0	1	0	0	WR4B	RR4B(WR4B)
0	1	0	1	WR5B	RR5B(WR5B)
0	1	1	0	WR6B	RR6B
0	1	1	1	WR7B	RR7B
1	0	0	0	WR0A	RR0A
1	0	0	1	WR1A	RR1A
1	0	1	0	WR2	RR2A
1	0	1	1	WR3A	RR3A
1	1	0	0	WR4A	RR4A(WR4A)
1	1	0	1	WR5B	RR5A(WR5A)
1	1	1	0	WR6A	RR6A
1	1	1	1	WR7A	RR7A
With the Point High command:					
0	0	0	0	WR8B	RR8B
0	0	0	1	WR9	RR9B(WR3B)
0	0	1	0	WR10B	RR10B
0	0	1	1	WR11B	RR11B(WR10B)
0	1	0	0	WR12B	RR12B
0	1	0	1	WR13B	RR13B
0	1	1	0	WR14B	RR14B(WR7'B)
0	1	1	1	WR15B	RR15B
1	0	0	0	WR8A	RR8A
1	0	0	1	WR9	RR9A(WR3A)
1	0	1	0	WR10A	RR10A
1	0	1	1	WR11A	RR11A(WR10A)
1	1	0	0	WR12A	RR12A
1	1	0	1	WR13A	RR13A
1	1	1	0	WR14A	RR14A(WR7'A)
1	1	1	1	WR15A	RR15A

2.6 RESET

The SCC may be reset by either hardware or software. A hardware reset occurs when \overline{RD} and \overline{WR} are both Low, simultaneously regardless of the state of the \overline{CE} input, which is normally an illegal condition. As long as both \overline{RD} and \overline{WR} are Low, the SCC recognizes the reset condition. Once this condition is removed, however, the reset condition is asserted internally for an additional four to five PCLK cycles. During this time, any attempt to access the SCC will be ignored. However a hardware reset does not clear the receive FIFO, therefore it may be necessary to perform a few dummy reads immediately after a

hardware reset to ensure that the FIFO is completely flushed before the new data can be received reliably.

The SCC has three software resets encoded into command bits in WR9. There are two channel resets, which affect only one channel in the device and some of the bits in the write registers. The third command forces the same result as a hardware reset. As in the case of a hardware reset, the SCC stretches the reset signal an additional four to five PCLK cycles beyond the ordinary valid access recovery time. When the SCC is first powered up, performing a read with the D/C pin held Low will guarantee that the pointers are reset to '0'; then a reset command can be issued by selecting WR9 and writing to it. The bits in WR9 may be written at the same time as the reset command because these bits are affected only by a hardware reset. The reset values of the various registers are shown in Figure 2-4.

Hardware Reset								Channel Reset								
7	6	5	4	3	2	1	0	7	6	5	4	3	2	1	0	
0	0	0	0	0	0	0	0	0	0	0	0	0	0	0	0	WR0
0	0	.	0	0	.	0	0	0	0	.	0	0	.	0	0	WR1
.	WR2
.	0	0	WR3
.	1	1	.	.	WR4
0	.	.	0	0	0	0	.	0	.	.	0	0	0	0	.	WR5
.	WR6
.	WR7
1	1	0	0	0	0	0	WR9
0	0	0	0	0	0	0	0	0	.	.	0	0	0	0	0	WR10
0	0	0	0	1	0	0	0	WR11
.	WR12
.	WR13
.	.	1	0	0	0	0	0	.	.	1	0	0	0	.	.	WR14
1	1	1	1	1	0	0	0	1	1	1	1	1	0	0	0	WR15
0	1	.	.	.	1	0	0	0	1	.	.	.	1	0	0	RR0
0	0	0	0	0	1	1	0	0	0	0	0	0	1	1	0	RR1
0	0	0	0	0	0	0	0	0	0	0	0	0	0	0	0	RR3
0	0	0	0	0	0	0	0	0	0	0	0	0	0	0	0	RR10

Figure 2-4. SCC Register Reset Values



CHAPTER 3

I/O Programming Functional Description

3.1	Introduction	3-3
3.2	Polling	3-3
3.3	Interrupt Sources	3-3
3.4	Interrupt Control	3-4
3.4.1	Interrupt Enable Bit	3-4
3.4.2	Interrupt Pending Bit	3-5
3.4.3	Interrupt Under Service Bit	3-5
3.4.4	Disable Lower Chain Bit	3-5
3.5	Interrupt Operations	3-6
3.5.1	Multiple Interrupt Priority Resolution	3-6
3.5.2	Interrupt Without Acknowledge	3-8
3.5.3	Interrupt With Acknowledge With Vector	3-8
3.5.4	Interrupt With Acknowledge Without Vector	3-10
3.5.5	Lower Priority Interrupt Masking	3-10
3.6	Receive Interrupts	3-10
3.6.1	Receive Interrupts Disabled	3-10
3.6.2	Receive Interrupt on First Character or Special Condition	3-10
3.6.3	Receive Interrupt on All Receive Characters or Special Conditions	3-11
3.6.4	Receive Interrupt on Special Conditions	3-11
3.7	Transmit Interrupts	3-12
3.8	External/Status Interrupts	3-13
3.8.1	Sync/Hunt	3-13
3.8.2	Break/Abort	3-14
3.8.3	Zero Count	3-14
3.8.4	Tx Underrun/EOM	3-15
3.8.5	Clear To Send	3-15
3.8.6	Data Carrier Detect	3-15
3.9	Block Transfers	3-15
3.9.1	Wait on Transmit	3-16
3.9.2	Wait on Receive	3-16
3.9.3	DMA Requests	3-17
3.9.3.1	DMA Request on Transmit (using $\overline{W/REQ}$)	3-17
3.9.3.2	DMA Request on Transmit (using $\overline{DTR/REQ}$)	3-18
3.9.3.3	$\overline{DTR/REQ}$ Deactivation Timing	3-19
3.9.3.4	DMA Request on Receive (using $\overline{W/REQ}$)	3-20



I/O Programming Functional Description

3.1 INTRODUCTION

The SCC can work under one of the following three modes of I/O operations: Polling, Interrupts, and Block transfer. All three modes involve register manipulation during initialization and data transfer. Regardless of the communication mode selected, all three I/O operating modes are available for use and must be programmed in the initialization routine.

3.2 POLLING

Polling avoids interrupts and is the simplest mode to implement. In this mode, the software must poll the SCC to determine when data are to be written or read from the SCC. This mode is enabled when the Master Interrupt Enable (MIE) bit in WR9 (D3) and the Wait/DMA Request Enable bit in WR1 (D7) are both set to '0'.

In this mode the software must poll RR0 to determine the status of the Receive Buffer, Transmit Buffer and External/Status before jumping to the appropriate interrupt routine.

3.3 INTERRUPT SOURCES

When the MIE bit in WR9 (D3) is set to '1' interrupts will be enabled and, the SCC as a microprocessor peripheral, will request an interrupt by asserting the $\overline{\text{INT}}$ pin Low from its open-drain state only when it needs servicing.

Each channel in the SCC contains three sources of interrupts making a total of six. These three sources of interrupts are: 1) Receiver, 2) Transmitter, and 3) External/Status conditions as shown in Figure 3-1. In addition, there are several conditions that may cause these interrupts. Each interrupt source is enabled under program control, with Channel A having a higher priority than Channel B and with Receive, Transmit, and External/Status interrupts prioritized respectively within each channel as shown in Table 3-1.

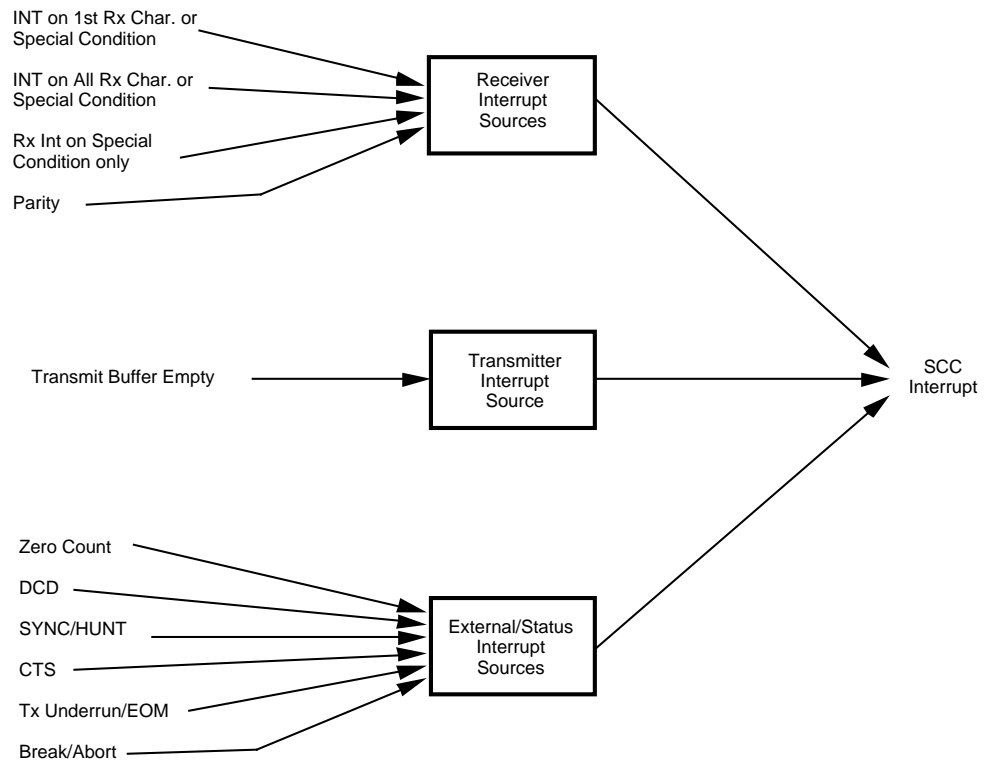


Figure 3–1. SCC Interrupts

Table 3–1. Interrupt Source Priority

Receiver Channel A	High
Transmit Channel A	
External/Status Channel A	↓
Receiver Channel B	↓
Transmit Channel B	
External/Status Channel B	Low

3.4 INTERRUPT CONTROL

In addition to the MIE bit that enables or disables all SCC interrupts, three control/status bits are associated with each interrupt source internal to the SCC. These are the Interrupt Enable (IE), the Interrupt Pending (IP), and the Interrupt Under Service (IUS) bits. Similarly, lower-priority devices on the external daisy chain can be prevented from requesting interrupts via the Disable Lower Chain bit in WR9 (D2).

3.4.1 Interrupt Enable Bit

The Interrupt Enable (IE) bits are written by the processor and serve to control interrupt requests from each interrupt source on the SCC. If the IE bit is set to '1' for an interrupt source, then that source may cause an interrupt request providing all of the necessary conditions are met. If the IE bit is reset, no interrupt request will be generated by that source. The IE bits are write-only and are programmed in WR1 as follows.

D7	D6	D5	D4	D3	D2	D1	D0
W/DMA REQ Enable	W/DMA REQ Funct.	W/DMA REQ on Rx/Tx			Parity INT Enable	Tx INT Enable	Ext/Sta INT Enable

0	0	— Rx INT Disable
0	1	— Rx INT on 1st Char. or Special Condition
1	0	— INT on All Rx Char. or Special Condition
1	1	— Rx INT on Special Only

WR1—Interrupt Source IE

3.4.2 Interrupt Pending Bit

The Interrupt Pending (IP) bit for a given source of interrupt may be set by the presence of an interrupt condition in the SCC and is reset directly by the processor, or indirectly by some action that the processor may take. If the corresponding IE bit is not set, the IP for that source of interrupt will never be set. The IP bits in the SCC are read-only via RR3 as shown above.

D7	D6	D5	D4	D3	D2	D1	D0
0	0	Ch. A Rx IP	Ch. A Tx IP	Ch. A Ext/Sta IP	Ch. B Rx IP	Ch. B Tx IP	Ch. B Ext/Sta IP

RR3—Interrupt Pending

3.4.3 Interrupt Under Service Bit

The Interrupt Under Service (IUS) bits are not observable by the processor. An IUS bit is set during an Interrupt Acknowledge cycle for the highest-priority IP. The IUS bit is used to control the operation of internal and external daisy chain interrupts. The internal daisy chain links the six sources of interrupt in a fixed order, chaining the IUS bits for each source. While an internal IUS bit is set, all lower-priority interrupt requests are masked off; during an Interrupt Acknowledge cycle the IP bits are also gated into the daisy chain. This insures that the highest-priority IP selected will have its IUS bit set. At the end of an interrupt service routine, the processor must issue a Reset Highest IUS Command in WR0 to re-enable lower-priority interrupts. This is the only way, short of a software or hardware reset, that an IUS bit may be reset.

3.4.4 Disable Lower Chain Bit

The Disable Lower Chain (DLC) bit in WR9 (D2) is used to disable all SCCs in a lower position on the external daisy chain. If this bit is set to '1', the IEO pin is driven Low and prevents lower-priority devices from generating an interrupt request. Note that the IUS bit, when set, will have the same effect but is not controllable through software, and the point where lower-priority interrupts are masked off may not correspond to the chip boundary.

3.5 INTERRUPT OPERATIONS

Interrupts from the SCC may be acknowledged with a vector, acknowledged without a vector, or not acknowledged at all. WR2 is used to hold the interrupt vector returned during an interrupt acknowledge cycle. This vector register can be shared among multiple interrupt sources; some bits of the vector can be encoded with information that identifies the interrupt source.

Three bits in WR9 determine whether or not a vector is placed on the bus and whether or not status is included. The Vector Includes Status (VIS) bit (D0) enables status information to be included in the vector, the Status High/Status Low bit (D4) determines which bits of the vector are encoded as shown in Figure 3–2, and the No Vector (NV) bit (D1) enables or disables placing the vector on the bus in response to an interrupt acknowledge cycle.

V3	V2	V1	Status High/Status Low = 0
V4	V5	V6	Status High/Status Low = 1
0	0	0	Ch B Transmit Buffer Empty
0	0	1	Ch B External/Status Change
0	1	0	Ch B Receive Character Available
0	1	1	Ch B Special Receive Condition
1	0	0	Ch A Transmit Buffer Empty
1	0	1	Ch A External/Status Change
1	1	0	Ch A Receive Character Available
1	1	1	Ch A Special Receive Condition

Figure 3–2. Interrupt Vector Modification

In addition, the SCC can share a common interrupt request line to the processor. An external interrupt priority daisy chain, constructed using IEI and IEO on each SCC, is used to resolve contention when multiple SCC devices share an interrupt request line. This capability eliminates the need for separate interrupt controllers. An interrupt acknowledge cycle that includes the generation of an explicit Interrupt Acknowledge signal ($\overline{\text{INTACK}}$) is used to select the highest priority SCC asserting $\overline{\text{INT}}$. Figure 3–3 shows a typical arrangement for four SCCs, labeled A through D, on the daisy chain, where A has the highest priority and D has the lowest priority.

3.5.1 Multiple Interrupt Priority Resolution

The SCC has an internal priority resolution method to allow the highest priority interrupt to be serviced first. It uses a daisy chain technique of priority interrupt control whereby other SCC devices are connected together via an external interrupt daisy chain formed with their Interrupt Enable Input (IEI) and Interrupt Enable Output (IEO) pins. The six interrupt sources within each SCC are similarly chained together as shown in Figure 3–4 with Channel A interrupts being higher-priority than any Channel B interrupts, and with the Receiver, Transmitter, and External/Status interrupts prioritized in that order within each channel. The overall effect is a daisy chain connecting all internal and external interrupt sources that allows higher priority interrupt sources to pre-empt lower priority sources and, in the case of simultaneous interrupt requests, determines which request will be acknowledged.

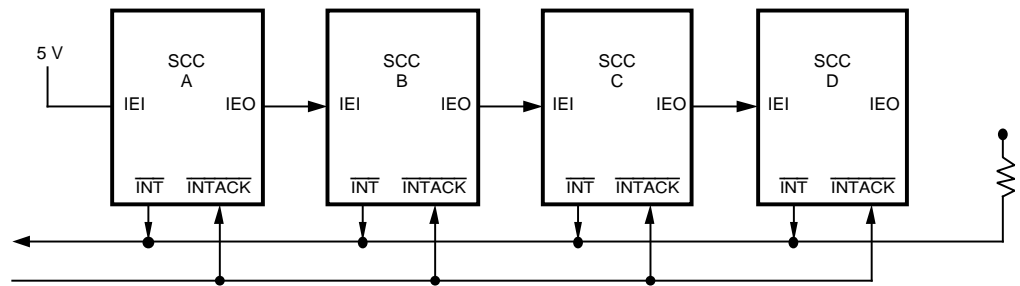


Figure 3-3. External Daisy Chain

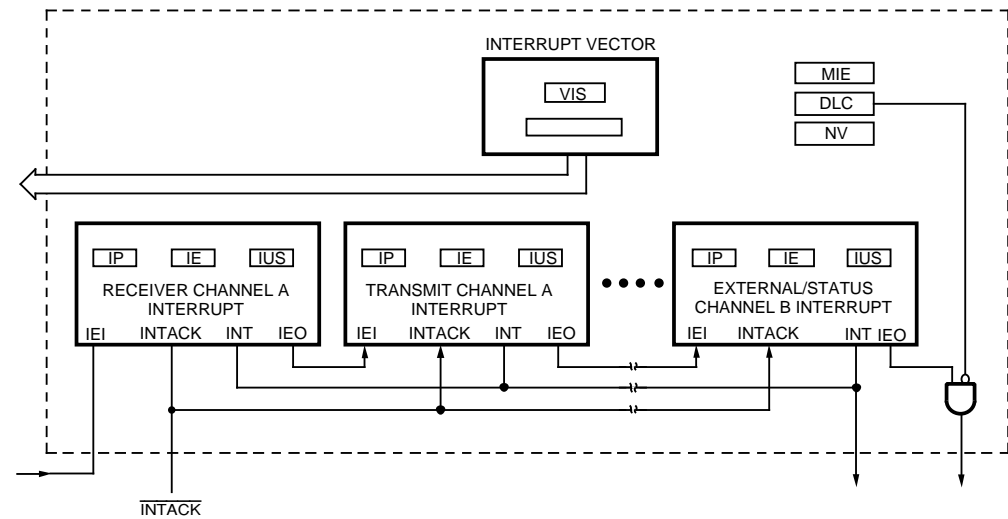


Figure 3-4. Internal Daisy Chain

Each SCC on the daisy chain uses PCLK to latch the state of the Interrupt Acknowledge signal, $\overline{\text{INTACK}}$. If a Low $\overline{\text{INTACK}}$ is latched, then the present cycle is an interrupt acknowledge cycle and the daisy chain determines which interrupt source is being acknowledged in the following way. Any interrupt source that has an interrupt pending and is not masked from the chain will hold its IEO line low. Similarly, sources that are currently under service will also hold their IEO lines low.

All other interrupt sources make IEO follow IEI. The result is that only the highest priority, unmasked source with an interrupt pending will have a high IEI input. This SCC will be allowed to transfer its vector to the system bus when the $\overline{\text{RD}}$ strobe is issued during the interrupt acknowledge cycle.

To ensure that the daisy chain has settled by the time $\overline{\text{RD}}$ gates the vector onto the bus, the SCC requires a delay between falling edge of $\overline{\text{INTACK}}$ and the falling edge of $\overline{\text{RD}}$ (AC timing parameter #38, TdAi(RD)). The internal daisy chain may be controlled by the MIE bit in WR9. This bit, when reset, has the same effect as pulling the IEI Low, thus disabling all interrupt requests.

The interrupt protocol is diagrammed in Figure 3–5. In the quiescent state (i.e. no interrupts pending or under service) each SCC on the daisy chain passes its IEI input through to its IEO output. An interrupt source that requires servicing requests an interrupt by pulling the INT pin Low if the following conditions exist: 1) interrupt source is enabled (i.e., IE and MIE bits are set to '1'), 2) interrupt source is not already under service (i.e., internal IUS bit set to '0'), 3) no higher priority interrupt is under service (i.e., internal IUS bit set to '1'), and 4) an interrupt acknowledge cycle is not currently being executed (i.e., INTACK is High).

When the processor responds with an Interrupt Acknowledge cycle all SCCs that have enabled interrupt sources with an interrupt pending or already under service, hold their IEO outputs lines Low. When RD goes Low, only the highest priority SCC with an interrupt pending will have a high IEI input; this is the interrupt being acknowledged, and that source's internal IUS bit will be set to '1'.

When servicing of the SCC has completed, the Reset Highest IUS Command in WR0 must be issued to unlock the daisy chain, reset the IUS bit, and enable lower-priority interrupt requests.

3.5.2 Interrupt Without Acknowledge

In this mode, $\overline{\text{INTACK}}$ does not have to be generated, and the $\overline{\text{INTACK}}$ input pin must be tied High. This allows a simpler hardware design that does not have to meet the Interrupt Acknowledge timing (AC timing parameter #38, TdIAi(RD)). Soon after the SCC's $\overline{\text{INT}}$ pin goes active, an external interrupt controller will jump to the interrupt routine. In the interrupt routine, the code must read RR2 from Channel B to read the vector including status. When the vector is read from Channel B, it always includes the status regardless of the VIS bit in WR9 (D0). The status given will decode the highest priority interrupt pending at the time RR2 is read. Note that the vector is not latched in RR2 so that the next read of RR2 could produce a different vector if another interrupt occurs; however, accessing RR2 disables it from change during the read operation to prevent an error if a higher interrupt occurs exactly during the read operation.

Once RR2 is read, the interrupt routine must decode the interrupt pending, and clear the condition. For example, writing a character to the Transmit Buffer will clear the Transmit Buffer Empty IP. **Removing the interrupt condition clears the IP bit and deactivates $\overline{\text{INT}}$, but only if there are no other IP bits set.** When the interrupt IP is cleared, RR2 can be read again. This allows the interrupt routine to clear all IPs with one interrupt request to the processor.

3.5.3 Interrupt With Acknowledge With Vector

In this mode of operation, the processor must respond to the activation of $\overline{\text{INT}}$ by activating $\overline{\text{INTACK}}$. After enough time has elapsed to allow the daisy chain to settle (AC timing parameter #38, TdIAi(RD)), the SCC sets the IUS bit for the highest priority IP. If the No Vector bit in WR9 (D1) is reset to '0', the SCC will then place the interrupt vector on the data bus during the read strobe.

To speed the interrupt response time, the SCC can also modify 3 bits in the vector to indicate status. If it is programmed to include status information in the vector, this status may be encoded and placed in either bits 1–3 or in bits 4–6 as programmed by the Status High/Status Low bit in WR9. To include status, the VIS bit in WR9 (D0) must be set to '1'. The service routine must then clear the interrupting condition. For example, writing a character to the Transmit Buffer will clear the Transmit Buffer empty IP. After the interrupting condition is cleared, the routine can read RR3 to determine if any other IP bits are set and clear them. At the end of the interrupt routine, a Reset IUS command must then be issued via WR0 to unlock the daisy chain and enable lower-priority interrupt requests. This is the only way, short of a software or hardware reset, that an IUS bit may be reset.

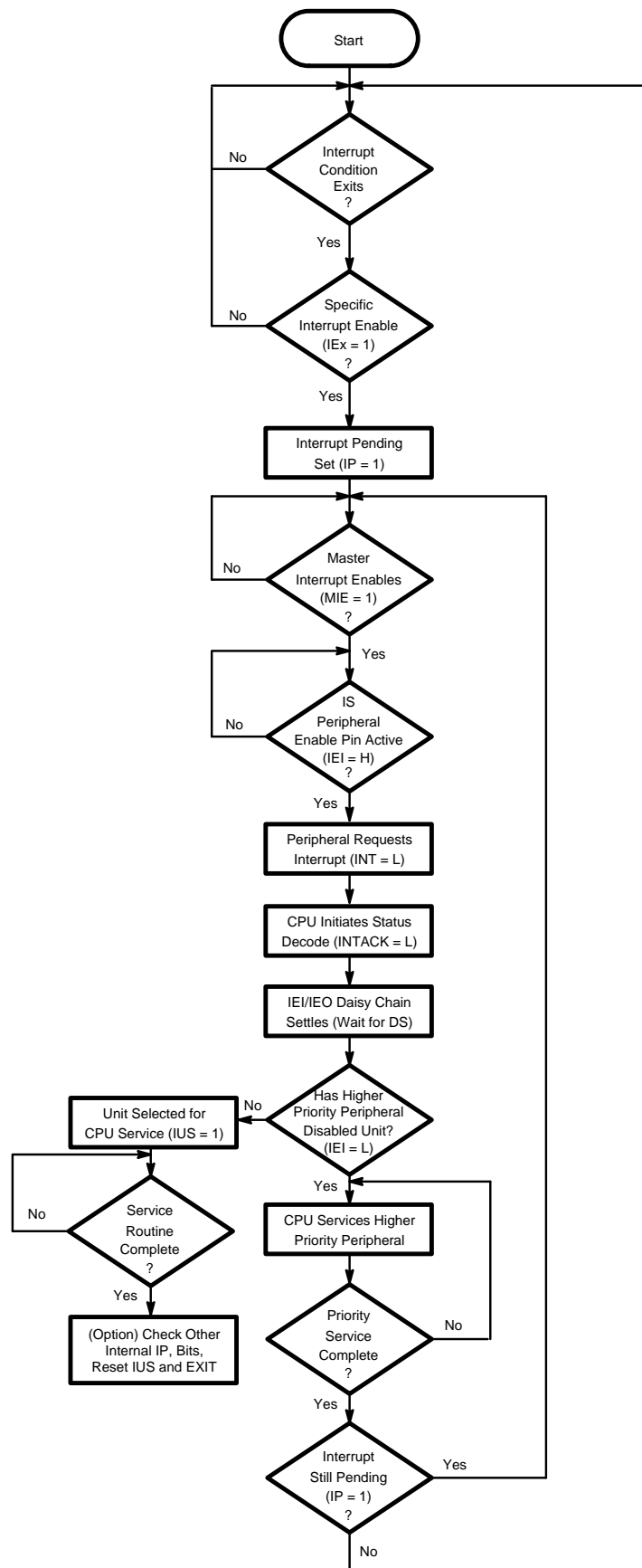


Figure 3–5. Interrupt Protocol

3.5.4 Interrupt With Acknowledge Without Vector

If the No Vector bit in WR9 (D1) is set to '1', the SCC will not place the vector on the data bus during the Interrupt Acknowledge cycle. An external interrupt controller must then vector the code to the interrupt routine. The interrupt routine must then read RR2 from Channel B to read the status. This is the same as the case of an interrupt without an acknowledge except that $\overline{\text{INTACK}}$ needs to be generated. The IUS is set as before, and the vector read in RR2 will not change until the Reset IUS command in WR0 is issued.

3.5.5 Lower Priority Interrupt Masking

The NMOS SCC's ability to mask lower priority interrupts is done via the IUS bit. This bit is internal to the SCC and is not observable by the processor. Being able to automatically mask lower priority interrupts allows a modular approach to coding interrupt routines. However, using the masking capabilities of the NMOS SCC requires that the $\overline{\text{INTACK}}$ cycle be generated. In applications where an external interrupt controller is being used to supply the vector, having to generate $\overline{\text{INTACK}}$ through external hardware, in order to use this capability, is an unnecessary expense.

On the CMOS SCC if bit D5 in WR9 is set to '1', the $\overline{\text{INTACK}}$ cycle does not need to be generated in order to have the IUS bit set and must be tied High. When this bit is set and an interrupt occurs, reading RR2 will cause the IUS bit to be set for the highest priority IP. After the interrupting condition is cleared, the routine can then read RR3 to determine if any other IPs are set and clear them. At the end of the interrupt routine, a Reset IUS command must be issued to unlock the internal daisy chain, and reset the IUS bit. Note that in this mode the No Vector and Vector Includes Status bits in WR9 are ignored.

3.6 RECEIVE INTERRUPTS

Four receive interrupt modes are available on the SCC. These four modes are: 1) Receive Interrupts Disabled, 2) Interrupt on First Character or Special Condition, 3) Interrupt on All Received Characters or Special Condition, and 4) Receive Interrupt on Special Condition Only.

The mode selected is controlled by bits D4 and D3 of WR1. The Special Condition interrupts are: Receive FIFO Overrun, CRC/Framing Error, EOF, and Parity. The Parity condition can either be included as a Special Condition or not depending on bit D2 in WR1. The Special Condition status can be read via RR1.

3.6.1 Receive Interrupts Disabled

This mode prevents the receiver from requesting an interrupt. It is used in a polled environment where either RR0 or the modified vector in RR2 (Channel B) is read for status.

When either RR0 or RR2 indicates that a received character has reached the top of the Receive Data FIFO, the status should be read first and then RR8 because reading RR8 moves the next character in the Receive Data FIFO and Error FIFO up one location. If status is read after the data are read, the error data belonging (if any) to the next character in the FIFO will also be included. If, however, operations are being performed rapidly enough so that the next character has not yet been received, then the status will remain valid.

Although the Receiver interrupts are disabled, a Special Condition can still provide a unique vector status in RR2.

3.6.2 Receive Interrupt on First Character or Special Condition

This mode is designed for use with an external DMA Controller. After this mode is selected, the first character received, or the first character already stored in the Receive Data FIFO, will set the Receiver IP. This IP will be reset when this character is removed from the SCC, and no further receive interrupts will occur until the processor issues an Enable Interrupt on Next Receive Character command in WR0 or until a Special Condition interrupt occurs.

The SCC recognizes several Special Conditions during data reception. A Receiver Overrun, where a character in the Data FIFO is overwritten, is a Special Condition, as is a Framing Error in Asynchronous mode, or the EOF condition in SDLC mode. In addition, if bit D2 of WR1 is set to '1', any character with a Parity Error will generate a Special Condition interrupt.

The correct sequence of events when using this mode is to first select the mode and wait for the receive character available interrupt. When the interrupt occurs, the processor should read the character and then enable the DMA to transfer the remaining characters.

A Special Condition interrupt may occur at any time after the first character is received but is guaranteed to occur after the character having the Special Condition has been read from the Receive Data FIFO. The status is not lost in this case, however, because the Data FIFO will be locked by the Special Condition preventing further data from becoming available in the Receive Data FIFO until the Error Reset command is issued. In the service routine the processor should read RR1 to obtain the status and may read the data again if necessary before unlocking the FIFO by issuing an Error Reset command in WR0. If the Special Condition detected was EOF, the processor should then issue the Enable Interrupt on Next Receive Character command to prepare for the next frame. The first character and Special Condition interrupt are distinguished by the status included in the interrupt vector. In all other respects they are identical, including sharing the IP and IUS bits.

In the Am85C30, if the 10x19 Frame Status FIFO is enabled, the 3 byte receive (Rx) FIFO never locks. However, the DMA is disabled (only on overrun special condition), i.e. overruns do not lock the Rx FIFO, but do disable DMA. Interrupts are generated and remain active until the RESET ERROR COMMAND is issued.

3.6.3 Receive Interrupt on All Receive Characters or Special Conditions

This mode is designed for an interrupt-driven system. In this mode, the SCC will set the Receiver IP on every received character, whether or not it has a Special Condition. This includes characters already in the FIFO when this mode is selected. In this mode of operation, the Receiver IP is reset when the character is removed from the FIFO, so if the processor requires status for any character, this status must be read before the data is removed from the FIFO.

The Special Conditions are identical to those previously mentioned, and as before, the only difference between a "receive character available" interrupt and a "Special Condition" interrupt is the status encoded in the vector. In this mode, a Special Condition does not lock the Receive Data FIFO so that the service routine must read the status in RR1 before reading the data. At moderate to high data rates, where the interrupt overhead is significant, time can usually be saved by checking for another received character before exiting the service routine. This technique eliminates the Interrupt Acknowledge and the processor-state-saving time, but care must be exercised because this receive character must be checked for special receive conditions before it is removed from the SCC.

3.6.4 Receive Interrupt on Special Conditions

This mode is designed for use with DMA transfers of the receive characters. In this mode, only receive characters with Special Conditions will cause the Receive IP to be set. All other characters are assumed to be transferred via DMA. No special initialization sequence is needed in this mode. Usually the DMA is initialized and enabled, and then this mode is selected in the SCC. A Special Condition interrupt may occur at any time after this mode is selected, but the logic guarantees that the interrupt will not occur until after the character with the Special Condition has been read from the SCC. The Special Condition locks the FIFO so that the status will be valid when read in the interrupt service routine, and it guarantees that the DMA will not transfer any characters until the Special Condition has been serviced. In the service routine, the processor should read RR1 to obtain

the status and unlock the FIFO by issuing an Error Reset command. DMA transfer of the receive characters will then resume.

If Receive Interrupts on Special Condition Only is enabled and a Special Condition occurs then, if a modified vector is read from RR2 or as the output of an $\overline{\text{INTACK}}$ cycle, that vector may indicate Receive Character Available instead of Receive Special Condition. The reason is that if a character is received and simultaneously the Special condition occurs, the priority circuitry gives Receive Character Available the highest priority and thus overrides the Special Condition. Note that a Receive Character Available itself does not generate an interrupt if Receive Interrupts on Special Condition Only is enabled. It is the Special Condition that generates the interrupt.

In Am85C30, if the 10 x 19 Frame Status FIFO is enabled, the 3 byte Receive (Rx) FIFO never locks. However, the DMA is disabled (only on overrun special condition), i.e. overruns do not lock the Rx FIFO, but do disable DMA. Interrupts are generated and remain active until RESET ERROR command is issued.

3.7 TRANSMIT INTERRUPTS

The transmit interrupt request has only one source; it can be set only when WR8 (Transmit Buffer) goes from full to empty. Note that this means that the transmit interrupt will not be set until after the first character is written to the SCC.

Transmit Interrupt occurs, if enabled, when the transmit buffer goes from a full to an empty state, which happens when the buffered character is loaded into the transmit shift register from the transmit buffer. In SDLC or other synchronous modes with the CRC generator enabled, the two CRC bytes that are attached to the data forces the transmit shift register to be full. When the second byte of the CRC is loaded into the transmit shift register, a Transmit Interrupt is generated if it is enabled.

Transmit interrupts are controlled by the Transmit Interrupt Enable bit in WR1 (D1). If the interrupt capabilities of the SCC are not required, polling may be used. This is selected by disabling the transmit interrupts and polling the Transmit Buffer Empty bit in RR0. When the Transmit Buffer Empty bit is set, a character may be written to the SCC without fear of writing over previous data. Another way of polling the SCC is to enable the transmit interrupt and then reset the MIE bit in WR9. The processor may then poll the IP bits in RR3A to determine when the Transmit Buffer is empty. Transmit interrupts should also be disabled in the case of DMA transfer of the transmitted data.

While the transmit interrupts are enabled, the SCC will set the Transmit IP whenever the Transmit Buffer becomes empty. This means that the Transmit Buffer must have been full before the Transmit IP can be set. Thus, when the transmit interrupts are first enabled, the Transmit IP will not be set until after the first character is written to the SCC.

In SDLC and Synchronous modes, one other condition can cause the Transmit IP to be set. This occurs at the end of the CRC transmission. When the last bit of CRC has cleared the Transmit Shift Register and the flag or sync character is loaded into the Transmit Shift Register, the SCC will set the Transmit IP. Data for the new frame or message to be transmitted may be written at this time. The Transmit Buffer Empty bit will be set after each Transmit IP. At the end of a frame or message block of data where CRC is to be sent next, no data will be written to the SCC (a Reset Tx IP command can be issued to clear the Transmit IP). The Transmitter will then underflow, the CRC will be sent and the Transmit Buffer Empty bit will be reset (indicating that data should not be written to the SCC at this time). The Transmit Underrun/EOM bit will be set when the CRC is loaded to indicate that the transmitter has underflowed. After the last bit of CRC has cleared the Transmit Shift Register and the flag or sync character is loaded into the Transmit Shift Register the SCC will set the Transmit IP. The Transmit Buffer Empty bit will be set at this time, indicating that data for the new frame should be written. The Transmit IP is reset either by writing data to WR8 or by issuing the Reset Transmit IP Command in WR0. Ordinarily, the response to a transmit interrupt is to write more data to the SCC; however, at end of a frame or message block of data where CRC is to be sent next, the Reset Transmit IP command should be issued in lieu of data.

3.8 EXTERNAL/STATUS INTERRUPTS

The External/Status Interrupts are globally enabled via WR1 and may be individually enabled via WR15 as shown below. The External/Status interrupt sources are: 1) Zero Count, 2) DCD, 3) SYNC/HUNT, 4) CTS, 5) Tx Underrun/EOM, and 6) BREAK/ABORT.

D7	D6	D5	D4	D3	D2	D1	D0
BREAK/ ABORT IE	Tx Undr/ EOM IE	CTS IE	SYNC/ HUNT IE	DCD IE		Zero Count IE	

D7	D6	D5	D4	D3	D2	D1	D0
							Ext/ Status MIE

WR15 and WR1—Register Layout

The individual External/Status Interrupt enable bits in WR15 control whether or not latches will be present in the path from the source of interrupt to the status bit in RR0. If an individual enable bit in WR15 is set to '0', the latches are not present in the signal path and the value read in RR0 reflects the current status. An interrupt source whose individual enable bit in WR15 is set to '0' is not a source of External/Status interrupts even though the External/Status Master Interrupt Enable bit is set to '1' in WR1 (D0). When an individual enable bit in WR15 is set to '1', the latch is present in the signal path.

The latches for the sources of External/Status interrupts are not independent. Rather, they all close at the same time as a result of a state change by one of the sources of interrupt. Thus, a read of RR0 returns the current status for any bits whose individual enable bit in WR15 is set to '0', and either the current state or the latched state of the remainder of the bits. To guarantee the current status, the processor should issue a Reset External/Status Interrupts Command in WR0 to open the latches.

The External/Status IP in RR3 is set by the closing of the latches and remains set for as long as they are closed. If the master External/Status Interrupt enable bit is not set, the IP will never be set, even though the latches may be present in the signal paths and working as described. Because the latches close on the current status but give no indication of change, the processor must maintain a copy of RR0 in memory. When the SCC generates an External/Status interrupt, the processor should read RR0 and determine which condition changed state and take the appropriate action. The copy of RR0 in memory must then be updated and the Reset External/Status Interrupt Command issued.

Care must be taken in writing the interrupt service routine for the External/Status interrupts because it is possible for more than one status condition to change state at the same time. All of the latched bits in RR0 should be compared to the copy of RR0 in memory. If none have changed and the ZC interrupt is enabled, the Zero Count condition caused the interrupt.

3.8.1 Sync/Hunt

The SYNC/HUNT status bit reports the Hunt state of the receiver in SDLC and Synchronous modes. This bit is set to '1' when the processor issues the Enter Hunt Command, and is reset to '0' when character synchronization is established by the receiver. If the SYNC/HUNT IE bit in WR15 is set to '1', the External/Status latches close, and an External/Status interrupt will be generated on both the Low-to-High and High-to-Low transitions of the SYNC/HUNT status bit.

In External Sync Mode, the SYNC/HUNT status bit, as in Asynchronous mode, reports the state of the $\overline{\text{SYNC}}$ pin. If there are no other External/Status interrupts pending, then any transition on the $\overline{\text{SYNC}}$ pin will cause the latches to close and generate an External/Status interrupt. However, only an odd number of transitions on $\overline{\text{SYNC}}$, while another External/Status interrupt is pending, will close the latches and generate an External/Status Interrupt.

3.8.2 Break/Abort

The BREAK/ABORT status bit is used in Asynchronous and SDLC modes but is always set to '0' in Synchronous modes. Both a Low-to-High and High-to-Low transition are guaranteed to cause the External/Status latches to close, and if the BREAK/ABORT IE bit in WR15 is set to '1', generate an External/Status interrupt regardless of whether another External/Status interrupt is pending at the time the transitions occur. If BREAK/ABORT is detected while the latches are closed, the status will be saved and generate an interrupt for BREAK/ABORT detection upon issuing the Reset External/Status Interrupts. A second interrupt is generated for End of BREAK/ABORT after issuing the next Reset External/Status Interrupts. In the first case, the BREAK/ABORT bit will be set to '1', and in the second case to '0'. This will guarantee that the BREAK/ABORT sequence is detected correctly. A BREAK/ABORT occurrence will clear an End of BREAK/ABORT that is waiting to generate an interrupt. Therefore, multiple Break/Abort sequences while the latches are closed will generate only two interrupts, one for BREAK/ABORT detection, and one for End of BREAK/ABORT.

In Asynchronous mode, this bit will be set to '1' when a break sequence (null character plus Framing Error) is detected (i.e., RxD is Low for more than one full character time) in the receive data stream, and remains set for as long as '0's continue to be received. It is reset when a '1' is received. Note that a single null character is left in the Receive Data FIFO each time a break condition is terminated. This character should be read and discarded.

In SDLC mode, this status bit is set to '1' when an abort sequence is detected in the receive data stream and is reset when a '0' is received. Note that the receiver detects an abort pattern whether it is "in frame" or "out of frame," so to avoid confusion, the BREAK/ABORT IE bit in WR15 should be set to '1' in the SYNC/HUNT interrupt routine when the SYNC/HUNT status bit indicates that the receiver is "in frame" (i.e., SYNC/HUNT status bit transitions from High-to-Low), and should be reset to '0' early in the EOF interrupt routine.

3.8.3 Zero Count

The Zero Count (ZC) status bit reflects when the Baud Rate Generator counter reaches a count of '0'. The ZC status bit will be set to '1' when the zero count is reached and will be reset to '0' when the counter is re-loaded. The External/Status latches will close only on the Low-to-High transition of this bit and, if the Zero Count IE bit is set in WR15, generate an External/Status interrupt. This status bit is not latched in RR0 even though the External/Status latches close as a result of the transition.

If there are no other External/Status interrupt conditions pending at the time the ZC status bit is set, an External/Status interrupt will be generated. However, if there is another External/Status interrupt pending at the time ZC is set, no interrupt will be generated until the current interrupt service is complete. If the zero count condition does not persist beyond the end of the current interrupt service routine no interrupt will be generated. The interrupt service routine should check the other External/Status conditions for changes. If none changed, the ZC was the source of interrupt. In polled applications, the IP bits in RR3A should be checked for a status change before proceeding as in the interrupt service routine.

Note that while the Zero Count IE bit in WR15 is reset, the ZC status bit will always read '0'.

3.8.4 Tx Underrun/EOM

The Tx Underrun/EOM status bit is used in SDLC and Synchronous modes of operation to control the transmission of CRC characters. This bit is set to '1' when the Transmit Buffer and Transmit Shift Register go empty and is reset to '0' by issuing the Reset Transmit Underrun/EOM command in WR0. Only the Low-to-High transition of this bit will cause the latches to close and, if the Tx Underrun/EOM IE bit in WR15 (D6) is set to '1', cause an External/Status Interrupt to be generated.

This status bit is always set to '1' in Asynchronous mode unless a Reset Transmit Underrun/EOM command is erroneously issued. In this case, the Send Abort Command can be used to set this bit to '1' and, at the same time, cause an External/Status Interrupt.

Note that this bit will be set to '1' when either of the following occurs; 1) a Send Abort command is issued, 2) the transmitter is disabled, or 3) a Channel or Hardware Reset is executed.

3.8.5 Clear to Send

The $\overline{\text{CTS}}$ Status bit reports the state of the $\overline{\text{CTS}}$ input pin the last time any of the enabled External/Status bits changed. Any transition on the $\overline{\text{CTS}}$ pin, while no other interrupts are pending, latches the state of the $\overline{\text{CTS}}$ pin and generates an External/Status interrupt if the $\overline{\text{CTS}}$ IE bit in WR15 is set to '1'. However, only an odd number of transitions on the $\overline{\text{CTS}}$ pin while another External/Status is pending will cause an External/Status interrupt after the Reset External/Status Interrupt command is issued.

If the $\overline{\text{CTS}}$ IE bit is reset, the $\overline{\text{CTS}}$ status merely reports the current inverted unlatched state of the $\overline{\text{CTS}}$ pin; that is, if the $\overline{\text{CTS}}$ pin is Low, the $\overline{\text{CTS}}$ status bit will be High.

Note that after the Reset External/Status Interrupt command is issued, if the latches were closed, they will close again if there was an odd number of transitions on the $\overline{\text{CTS}}$ pin; they will remain open if there was an even number of transitions on the input pin.

3.8.6 Data Carrier Detect

The DCD Status bit reports the state of the $\overline{\text{DCD}}$ input pin the last time any of the enabled External/Status bits changed. Any transition on the $\overline{\text{DCD}}$ pin, while no other interrupts are pending, latches the state of the $\overline{\text{DCD}}$ pin and generates an External/Status interrupt if the DCD IE bit in WR15 is set to '1'. However, only an odd number of transitions on the $\overline{\text{DCD}}$ pin while another External/Status is pending will cause an External/Status interrupt after the Reset External/Status Interrupt command is issued.

If the DCD IE bit is reset, the DCD status merely reports the current inverted unlatched state of the DCD pin; that is, if the $\overline{\text{DCD}}$ pin is Low, the DCD status bit will be High.

Note that after the Reset External/Status Interrupt command is issued, if the latches were closed, they will close again if there was an odd number of transitions on the $\overline{\text{DCD}}$ pin; they will remain open if there was an even number of transitions on the input pin.

If careful attention is paid to details, the interrupt service routine for External/Status interrupts is straightforward. To determine which bit or bits changed state, the routine should first read RR0 and compare it to a copy from memory. For each changed bit, the appropriate action should be taken and the copy in memory updated. The service routine should close with a Reset External/Status Interrupts command to re-open the latches. The copy of RR0 in memory should always have the Zero Count bit set to '0', since this will be the state of the bit after the Reset External/Status Interrupts command at the end of the service routine.

3.9 BLOCK TRANSFERS

The SCC offers several alternatives for the block transfer of data. The various options are selected via WR1 and WR14 as follows.

D7	D6	D5	D4	D3	D2	D1	D0
					DTR/ REQ Funct.		

WR14 Register Layout

D7	D6	D5	D4	D3	D2	D1	D0
Wait/ DMA REQ Enable	Wait/ DMA REQ Funct.	Wait/ DMA REQ Rx/Tx					

WR1 Register Layout

Each channel in the SCC has two pins, $\overline{DTR/REQ}$ and $\overline{W/REQ}$, which may be used to control the block transfer of data. Both pins in each channel may be programmed to act as DMA Request signals, and one pin ($\overline{W/REQ}$) in each channel may be programmed to act as a Wait signal for the CPU. In either mode, it is advisable to select and enable the mode in two separate accesses of the appropriate register. The first access should select the mode and the second access should enable the function. This procedure prevents glitches on the output pins. Reset forces Wait mode, with $\overline{W/REQ}$ open-drain.

3.9.1 Wait on Transmit

The Wait function on transmit is selected by programming WR1 as shown below.

D7	D6	D5	D4	D3	D2	D1	D0
1	0	0	?	?	?	?	?

WR1—Wait on Transmit Function Selection

In this mode, the $\overline{W/REQ}$ pin carries the Wait signal, and is open-drain when inactive and Low when active. When the processor attempts to write to WR8 (Transmit Buffer) and it is full, the SCC will assert $\overline{W/REQ}$ until the buffer is empty. This allows the use of a block-move instruction to transfer the transmit data. $\overline{W/REQ}$ will go active in response to \overline{WR} going active but only if WR8 (Transmit Buffer) is being accessed, either directly or via the pointers. The $\overline{W/REQ}$ pin is released in response to the falling edge of PCLK. Details of the timing are shown in Figure 3–6.

3.9.2 Wait on Receive

The Wait function on receive is selected by programming WR1 as shown below.

D7	D6	D5	D4	D3	D2	D1	D0
1	0	1	?	?	?	?	?

WR1—Wait on Receive Function Selection

In this mode, the $\overline{W/REQ}$ pin carries the Wait signal, and is open-drain when inactive and Low when active. When the processor attempts to read data from the Receive Data FIFO and it is empty, the SCC will assert $\overline{W/REQ}$ until a character has reached the top of the FIFO. This allows the use of a block-move instruction to transfer the receive data. $\overline{W/REQ}$ will go active in response to \overline{RD} going active, but only if RR8 (Receive Buffer) is being accessed, either directly or via the pointers. The $\overline{W/REQ}$ pin is released in response to the falling edge of PCLK. Details of the timing are shown in Figure 3–7.

3.9.3 DMA Requests

The two DMA request pins, $\overline{W/REQ}$ and $\overline{DTR/REQ}$, can be programmed to be used as DMA requests. The $\overline{W/REQ}$ pin can be used as either a transmit or a receive request, but the $\overline{DTR/REQ}$ pin can be used only as a transmit request. Hence, for full-duplex operation, the $\overline{W/REQ}$ pin should be used for receive and the $\overline{DTR/REQ}$ pin used for transmit. These modes are described below.

3.9.3.1 DMA Request on Transmit (Using $\overline{W/REQ}$)

The DMA Request on Transmit function using the $\overline{W/REQ}$ pin is enabled by programming WR1 as shown below.

D7	D6	D5	D4	D3	D2	D1	D0
1	1	0	?	?	?	?	?

WR1—DMA on Transmit Function Selection

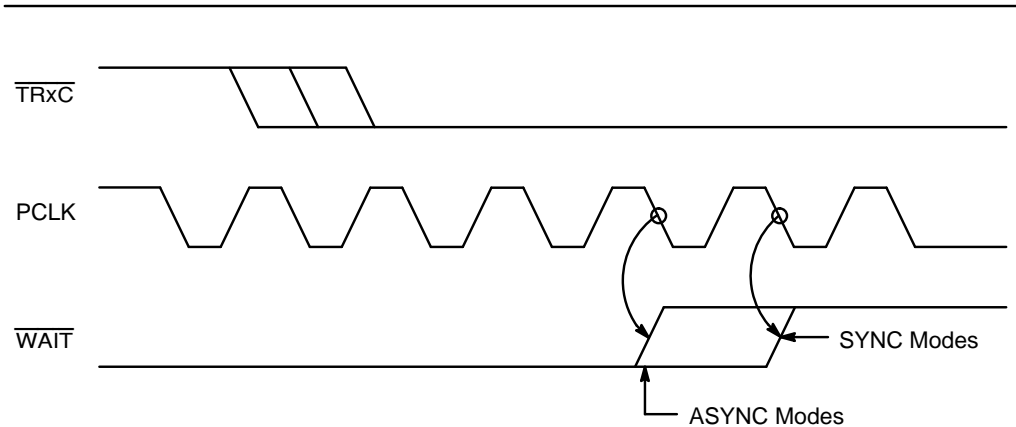


Figure 3–6. Wait on Transmit Timing

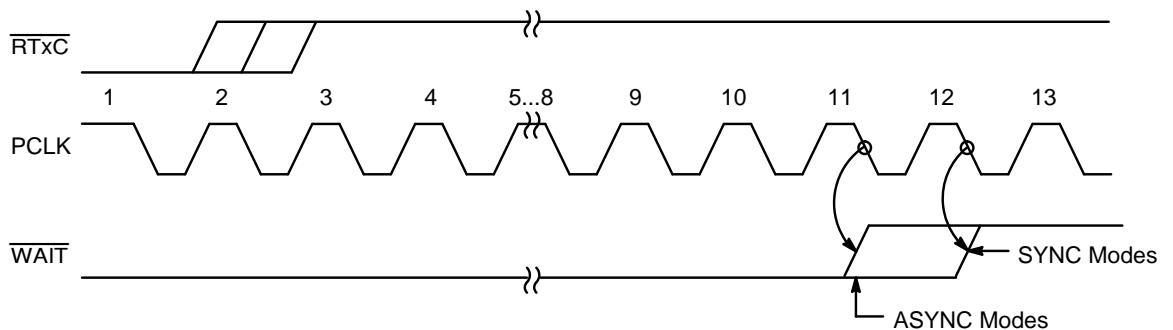


Figure 3–7. Wait on Receive Timing

In this mode the $\overline{W/REQ}$ pin carries the DMA Request signal, which is active Low. When this mode is selected, but not yet enabled, the $\overline{W/REQ}$ pin is driven High. When the enable bit is set, $\overline{W/REQ}$ will go Low if WR8 is empty at the time or will remain High until WR8 becomes empty. Note that the $\overline{W/REQ}$ pin will follow the state of WR8 even though the transmitter is disabled. Thus, if bit D7 of WR1 is set to '1' (i.e., $\overline{W/REQ}$ pin is enabled) before the transmitter is enabled, the DMA may write data to the SCC prematurely. This will not cause a problem in Asynchronous mode but may cause problems in SDLC and Synchronous modes, because on enabling the transmitter the SCC will send data in preference to flags or sync characters. It also may complicate the CRC initialization, which cannot be done until after the transmitter is enabled.

With only one exception, the $\overline{W/REQ}$ pin directly follows the state of WR8 in this mode. $\overline{W/REQ}$ goes Low when WR8 goes empty and remains Low until the WR8 is filled. The SCC generates only one falling edge on the $\overline{W/REQ}$ pin per character requested. The timing for this is shown in Figure 3–8.

The one exception occurs at the end of CRC transmission when the SCC is programmed in either SDLC or Synchronous Modes. At the end of CRC transmission, when the closing flag or sync character is loaded into the Transmit Shift Register, the $\overline{W/REQ}$ pin is pulsed High for one PCLK cycle. The DMA may use this falling edge on $\overline{W/REQ}$ to write the first character of the next frame or block to the SCC. $\overline{W/REQ}$ will go High in response to the falling edge of \overline{WR} , but only when the appropriate WR8 in the SCC is accessed. This is shown in Figure 3–9.

3.9.3.2 DMA Request on Transmit (Using $\overline{DTR/REQ}$)

A second Request on Transmit function is available on the $\overline{DTR/REQ}$ pin. This mode is selected by programming WR14 as shown below.

D7	D6	D5	D4	D3	D2	D1	D0
?	?	?	?	?	1	?	?

WR14—DMA Request on Transmit Using $\overline{DTR/REQ}$

When this bit is set to '1', the $\overline{DTR/REQ}$ pin will go Low if WR8 is empty at the time, or will go High until WR8 becomes empty. While bit D2 of WR14 is set to '0', the $\overline{DTR/REQ}$ pin is used as a general-purpose output pin and follows the inverted state of bit D7 in WR5. This pin will be High after a channel or hardware reset and in the DTR mode.

In the DMA Request mode, $\overline{DTR/REQ}$ will follow the empty/non-empty state of WR8 even though the transmitter is disabled. Thus, if the DMA Request function is enabled before the transmitter is enabled, the DMA may write data to the SCC prematurely. This will not cause a problem in Asynchronous mode but may cause problems in SDLC and Synchronous modes because the SCC will send data in preference to flags or sync characters. It also may complicate the CRC initialization, which cannot be done until after the transmitter is enabled and idling. With only one exception, the $\overline{DTR/REQ}$ pin directly follows the state of WR8 in SDLC and Synchronous modes. $\overline{DTR/REQ}$ goes Low when WR8 becomes empty and remains Low until WR8 is filled. The SCC generates only one falling edge on the $\overline{DTR/REQ}$ pin per character requested and the timing for this is shown in Figure 3–8.

The one exception occurs in SDLC and Synchronous modes at the end of CRC transmission. At the end of CRC transmission, when the closing flag or sync character is loaded into the Transmit Shift Register, $\overline{DTR/REQ}$ is pulsed High for one PCLK cycle. The DMA may use this falling edge on $\overline{DTR/REQ}$ to write the first character of the next frame or block to the SCC.

3.3.9.3 $\overline{\text{DTR/REQ}}$ Deactivation Timing

On the NMOS SCC, the DMA Request function on $\overline{\text{DTR/REQ}}$ differs from the one on $\overline{\text{W/REQ}}$ in that it does not go High immediately in response to the access which writes to WR8. This is because the registers in the SCC are not written during the actual access, but are delayed by some number of PCLK cycles. The DMA Request signal on $\overline{\text{DTR/REQ}}$ follows the state of WR8 exactly while the Request signal on $\overline{\text{W/REQ}}$ goes inactive in anticipation of WR8 becoming full. The timing of the Request signal on both pins is shown in Figure 3–9.

This deactivation delay of $\overline{\text{DTR/REQ}}$ is unacceptable in applications where slower data rates are involved relative to the processor. This delay can result in overwriting the Transmit Buffer because the DMA Controller may recognize the continued active state of $\overline{\text{DTR/REQ}}$ as a request for more data. On the CMOS SCC an option is provided that enables the deactivation delay of $\overline{\text{DTR/REQ}}$ to be identical to that of the $\overline{\text{W/REQ}}$ pin. If SDLC mode operation is selected and bit D0 of WR15 is set to '1', then bit D4 of WR7' can be used to alter the deactivation delay. While bit D4 of WR7' is set to '1', the deactivation of $\overline{\text{DTR/REQ}}$ will be identical to $\overline{\text{W/REQ}}$.

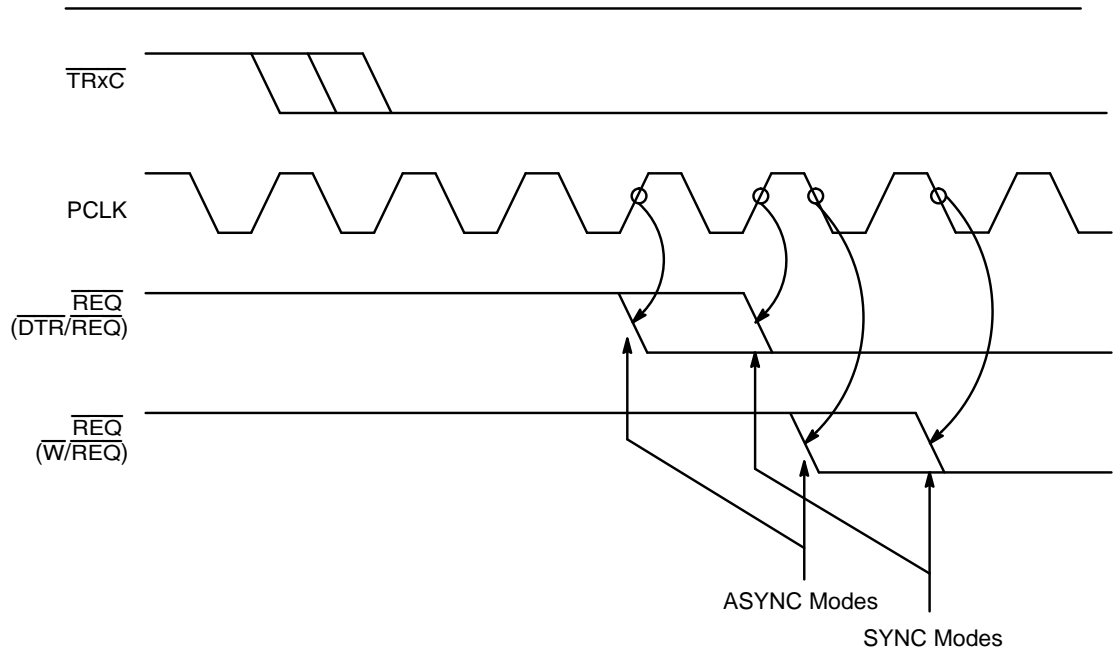


Figure 3–8. DMA Request on Transmit Activation

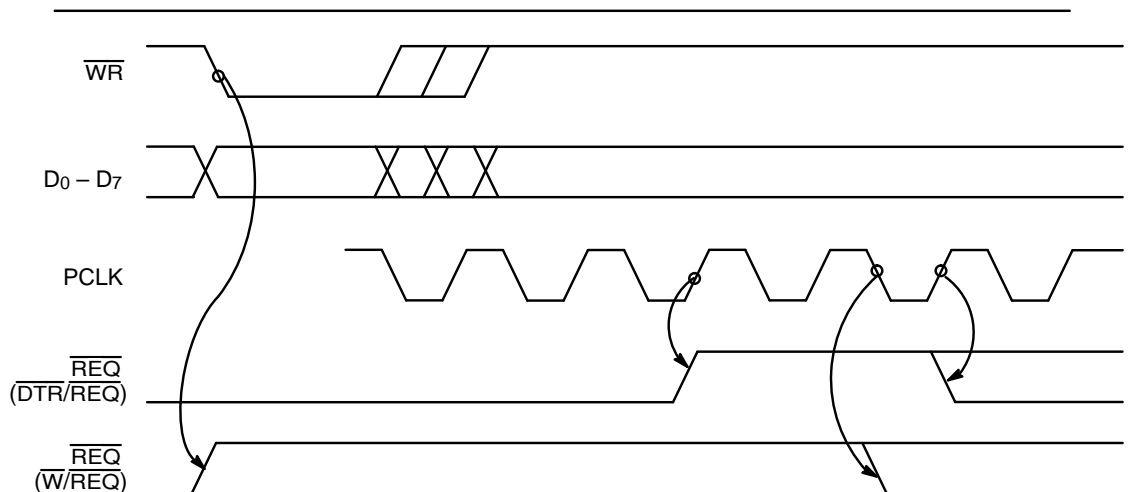


Figure 3–9. DMA Request on Transmit Deactivation

3.3.9.4 DMA Request on Receive (Using $\overline{W/REQ}$)

The DMA Request on Receive function using the $\overline{W/REQ}$ pin is selected by programming WR1 as shown below.

D7	D6	D5	D4	D3	D2	D1	D0
1	1	1	?	?	?	?	?

WR1—DMA Request on Receive Using $\overline{W/REQ}$

In this mode, the $\overline{W/REQ}$ pin carries the DMA Request signal, which is active Low. When this mode is selected, but not yet enabled, the $\overline{W/REQ}$ pin is driven High. When the enable bit is set, $\overline{W/REQ}$ will go Low if RR8 contains a character at the time, or will remain High until a character enters RR8. Note that the $\overline{W/REQ}$ pin will follow the state of RR8 even though the receiver is disabled. Thus, if the receiver is disabled but the DMA Request function is enabled, the DMA will transfer the previously received data correctly. In this mode the $\overline{W/REQ}$ pin directly follows the state of RR8 with only one exception. The $\overline{W/REQ}$ pin goes Low when a character enters RR8 and remains Low until this character is removed from the receive buffer. The SCC generates only one falling edge on $\overline{W/REQ}$ per character transfer requested and the timing for this is shown in Figure 3–10.

The one exception occurs in the case of a special receive condition in the Receive Interrupt on First Character or Special Condition mode, or the Receive Interrupt on Special Condition Only mode. In these two interrupt modes any receive character with a special receive condition is locked at the top of the FIFO until an Error Reset command is issued. This character in the receive FIFO would ordinarily cause additional DMA Requests after the first time it is read. However, the logic in the SCC guarantees only one falling edge on $\overline{W/REQ}$ by holding the $\overline{W/REQ}$ pin High from the time the character with the special receive condition is read, and the FIFO locked, until after the Error Reset command has been issued. Once the FIFO is unlocked by the Error Reset Command, $\overline{W/REQ}$ again follows the state of the receive buffer. $\overline{W/REQ}$ will go High in response to the falling edge of \overline{RD} , but only when the receive buffer in the SCC is accessed. This is shown in Figure 3–11.

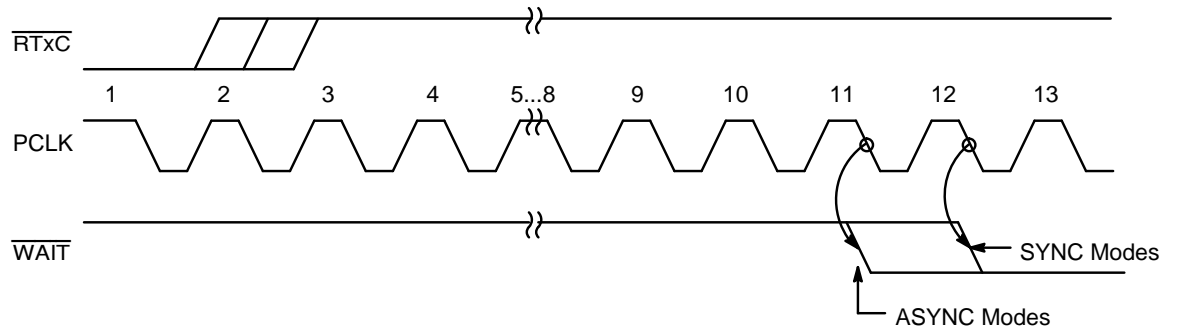


Figure 3–10. $\overline{\text{DTR/REQ}}$ Activation

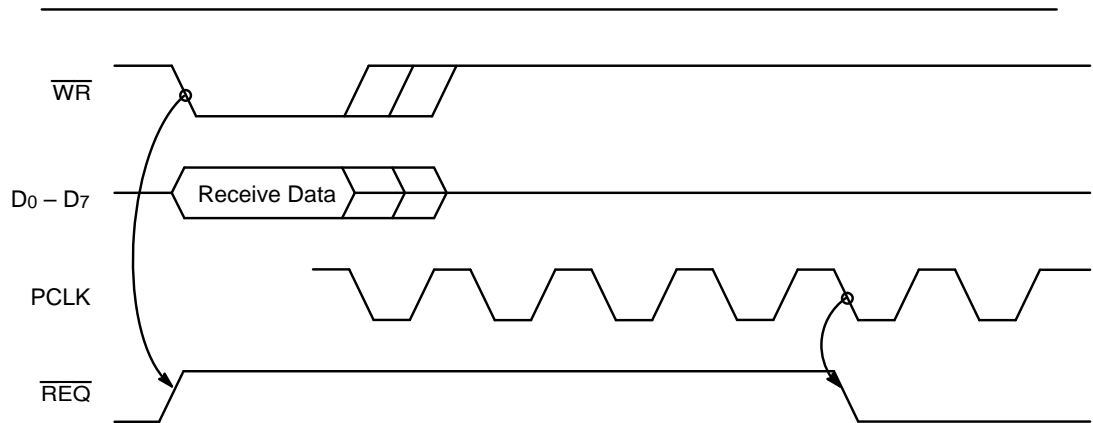


Figure 3–11. $\overline{\text{DTR/REQ}}$ Deactivation



CHAPTER 4

Data Communication Modes

Functional Description

4.1	Introduction	4-3
4.2	Protocols	4-3
4.2.1	Asynchronous	4-3
4.2.2	Synchronous Transmission	4-4
4.2.2.1	Synchronous Character-Oriented Protocol	4-4
4.2.2.2	Synchronous Bit-Oriented	4-4
4.3	Mode Selection	4-5
4.4	Receiver Overview	4-6
4.4.1	Rx Character Length	4-7
4.4.2	Rx Parity	4-8
4.4.3	Rx Modem Control	4-9
4.5	Transmitter Overview	4-9
4.5.1	Tx Character Length	4-9
4.5.2	Tx Parity	4-11
4.5.3	Break Generation	4-11
4.5.4	Transmit Modem Control	4-11
4.5.5	Auto $\overline{\text{RTS}}$ Reset	4-11
4.6	Asynchronous Mode Operation	4-12
4.6.1	Receiver Operation	4-12
4.6.1.1	Receiver Initialization	4-12
4.6.1.2	Framing Error	4-12
4.6.1.3	Break Detection	4-13
4.6.1.4	Clock Selection	4-13
4.6.2	Transmitter Operation	4-13
4.6.2.1	Transmitter Initialization	4-13
4.6.2.2	Stop Bit Selection	4-13
4.7	SDLC Mode Operation	4-14
4.7.1	Receiver Operation	4-14
4.7.1.1	Flag Detect Output	4-14
4.7.1.2	Receiver Initialization	4-14
4.7.1.3	10x19-Bit Frame Status FIFO	4-14
4.7.1.3.1	FIFO Enabling/Disabling	4-15
4.7.1.3.2	FIFO Read Operation	4-15
4.7.1.3.3	FIFO Write Operation	4-15
4.7.1.3.4	14-Bit Byte Counter	4-15
4.7.1.3.5	Am85C30 Frame Status FIFO Operation Clarification	4-18
4.7.1.3.6	Am85C30 Aborted Frame Handling When Using the 10x19 Frame Status FIFO	4-19
4.7.1.4	Address Search Mode	4-19
4.7.1.5	Abort Detection	4-20
4.7.1.6	Residue Bits	4-21
4.7.2	SDLC Mode CRC Polynomial Selection	4-21
4.7.2.1	Rx CRC Initialization	4-22
4.7.2.2	Rx CRC Enabling	4-22
4.7.2.3	CRC Error	4-22
4.7.2.4	CRC Character Reception	4-22
4.7.3	End of Frame (EOF)	4-26

4.8	Transmitter Operation	4-27
4.8.1	Transmitter Initialization	4-27
4.8.2	Mark/Flag Idle Generation	4-27
4.8.3	Auto Flag Mode	4-27
4.8.4	Abort Generation	4-28
4.8.5	Auto Transmit CRC Generator Preset	4-28
4.8.6	CRC Transmission	4-28
4.8.7	Auto Tx Underrun/EOM Latch Reset	4-29
4.8.8	Transmitter Disabling	4-29
4.8.9	NRZI Mode Transmitter Disabling	4-29
4.9	SDLC Loop Mode	4-30
4.9.1	Going on Loop	4-30
4.9.1.1	On Loop Program Sequence	4-31
4.9.1.2	On Loop Message Transmission	4-31
4.9.1.3	On Loop Transmit Message Programming Sequence	4-31
4.9.2	Going off Loop	4-31
4.9.2.1	Off Loop Programming Sequence	4-32
4.9.3	SDLC Loop Initialization	4-32
4.9.4	SDLC Loop NRZI Encoding Enabled	4-32
4.10	Synchronous Mode Operation	4-32
4.10.1	Receiver Operation	4-32
4.10.1.1	SYNC Detect Output	4-33
4.10.1.1.1	MONOSYNC Mode	4-33
4.10.1.1.2	BISYNC Mode	4-33
4.10.1.2	SYNC Character Length	4-34
4.10.1.3	Receiver Initialization	4-34
4.10.1.4	Sync Character Removal	4-34
4.10.1.5	CRC Polynomial Selection	4-36
4.10.1.5.1	Rx CRC Initialization	4-36
4.10.1.5.2	Rx CRC Enabling	4-36
4.10.1.5.3	Rx CRC Character Exclusion	4-36
4.10.1.5.4	CRC Error	4-37
4.10.2	Transmitter Operation	4-37
4.10.2.1	Transmitter Initialization	4-38
4.10.2.2	CRC Polynomial Selection	4-38
4.10.2.2.1	Tx CRC Initialization	4-38
4.10.2.2.2	Tx CRC Enabling	4-38
4.10.2.2.3	CRC Transmission	4-38
4.10.2.2.4	Tx CRC Character Exclusion	4-39
4.10.2.3	Transparent Transmission	4-39
4.10.2.4	Transmitter to Receiver Synchronization	4-39
4.10.2.4.1	Transmitter Disabling	4-40
4.10.2.5	External SYNC Mode	4-40
4.10.2.5.1	SDLC External SYNC Mode	4-41
4.10.2.5.2	Synchronous External Sync Mode	4-41



Data Communication Modes

Functional Description

4.1 INTRODUCTION

The SCC provides two independent full-duplex channels programmable for use in any common asynchronous or synchronous data communication protocol. This includes: Asynchronous, Synchronous MONOSYNC (8-bit sync character), Synchronous BISYNC (16-bit sync character), normal SDLC, and SDLC Loop Mode.

4.2 PROTOCOLS

A communication protocol defines a set of rules for the orderly transfer of information between two communicating devices. All communication line protocols in the industry today exchange data in either an asynchronous or synchronous manner. Asynchronous transmission is used in several protocols including the TTY protocol while synchronous transmission is used in protocols which include: IBM BISYNC, Synchronous Data Link Control (SDLC), High-Level Data Link Control (HDLC), and Advance Data Communication Control Procedures (ADCCP).

This section provides a brief overview of these protocols; however, if further information is desired the book titled "Technical Aspects of Data Communications" by John E. McNamara, published by Digital Press (DEC) 1982, is a good reference.

4.2.1 Asynchronous

In Asynchronous transmission, as the name implies, each character is transmitted as an independent entity; that is, the time between the last bit of one character and the first bit of another character can be variable.

Since the receiver must be able to detect the beginning of each character transmitted, this mode requires that at least one bit be added at the start and end of each character for synchronization purposes.

Synchronization at the receiver is accomplished by sensing the transition of the Start-bit for each character transmitted. The first data bit of the character is typically sampled one and one-half bit times after the High-to-Low transition of the Start-bit, and each subsequent bit is sampled one bit time thereafter. The sampling of the bit occurs near the center of each bit to allow correct data recovery and typically occurs at some multiple of the data rate. Larger multiples allow a closer approximation to the middle sampling.

Figure 4–1 depicts a typical Asynchronous 11-bit format. Each 8-bit character is preceded by a Start-bit and followed by a Parity check bit and one Stop-bit. The Start-bit of the next character can occur anytime after the first character's Stop-bit. The idle state of the transmission line between characters is always in a mark idle condition (i.e., TxD pulled High).

Asynchronous communication channels are found in most distributed computer systems for terminal-to-computer communications. The common "serial port" found on personal computers is an asynchronous port. It is used to attach external modems and printers, and to interface the personal computer to a minicomputer for use as a terminal.

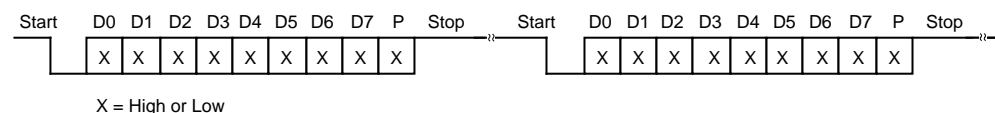


Figure 4–1. Asynchronous Format

4.2.2 Synchronous Transmission

Synchronous transmission requires that clocking information be transmitted along with the data, either by a method of encoding data that contains clocking information, or by a modem that encodes clock information in the modulation process. In either case, data are sent at a defined rate which is controlled by a timing source at the transmitter.

Synchronous communication channels send data faster with less overhead than asynchronous channels but are more expensive to design than asynchronous channels. In synchronous communication, a timing reference, or “clock”, is used to control the transfer of information. This clock specifies to the receiver when to sample the data (bit synchronization) in order to ascertain which data value (‘0’ or ‘1’) was transmitted. The optimum sample times usually correspond to the middle of the bit cell to minimize error. This clock signal is encoded along with the data sent so the receiver must be able to decode the Figure 4–1. Asynchronous Format incoming clock signal. A circuit called a “phase-locked loop” is typically used for this purpose.

In addition, since data rates are usually higher and data are typically sent with no gaps between characters, synchronous communication requires some level of buffering at both the transmitter and receiver.

Once bit synchronization has been established, the next phase for the receiver is to know what group of bits constitute a character (character synchronization). This requires that the receiver search the receive bit stream on a bit-by-bit basis for a character synchronizing pattern in order to determine which set of bits in the bit stream defines the first character transmitted.

Synchronous communication channels are found in many mainframe data networks. The greater throughput of the synchronous channel is required in mainframe environments where many terminals are connected to the computer and multiplexed onto one channel. The synchronous protocols used may be either character-oriented or bit-oriented.

4.2.2.1 Synchronous Character-Oriented Protocol

In a Character-Oriented Protocol (COP) data are transmitted in message blocks and require that each block be preceded by either an 8- or 16-bit predefined “sync character”. In addition, COPs are typically restricted to half-duplex operation and depend heavily on special control characters or character sequences, such as SOH or DLE STX and ETX, to determine the start and end of a particular field within a message block. IBM BISYNC is an example of a COP. MONOSYNC, on the other hand, is a character count protocol where both ends of the communication link keep track of the number of characters sent and received. This solves the problem of having to use special control characters for field delineation as used in the BISYNC protocol. The DDCMP (Digital Data Communication Message Protocol) from DEC is another example of a character count protocol in use today. MONOSYNC and BISYNC message formats are shown in Figures 4–2 and 4–3, respectively.

Since sync characters are only appended to the start of a message block, additional sync characters may be inserted within a transmission at distinct time intervals or during a pause in order to maintain synchronization.

4.2.2.2 Synchronous Bit-Oriented

Bit-Oriented Protocols (BOP) may be used in half- or full-duplex operation and are less dependent on special control characters. BOPs rely instead on the position of bits within specific fields.

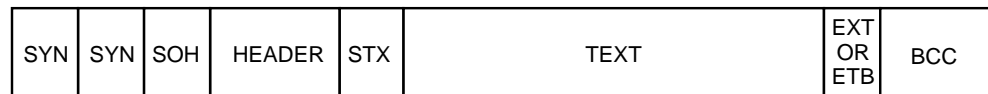
The most common BOPs in use today are High-Level Data Link Control (HDLC) and Synchronous Data Link Control (SDLC). These two protocols are nearly identical except for minor differences in the use of the Address and Control fields.

All SDLC information is sent in frames and follow a standard format as shown in Figure 4–4. SDLC frames begin and end with the 8-bit flag sequence, “01111110.” All stations on the link search continuously for this flag sequence which indicates the start of a frame

and provides the mechanism by which character synchronization is established at a receiver. Since data between flags may contain the flag pattern, the sequence of six consecutive one bits is prevented from occurring through a process called zero-bit insertion, in which the transmitter inserts a zero bit after any five consecutive one bits. Likewise, the receiver deletes any zero bit that follows five consecutive one bits in the bit stream between the opening and closing flag of a frame.



Figure 4–2. MONOSYNC Format



← DIRECTION OF SERIAL DATA FLOW

BCC = Block Checking Calculation

Figure 4–3. BISYNC Format

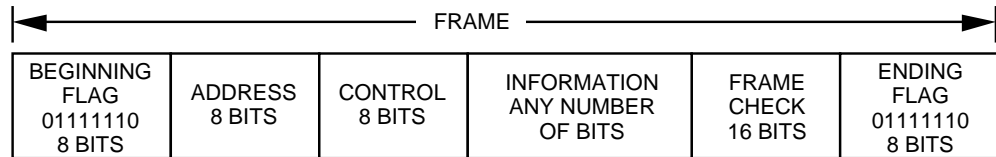


Figure 4–4. SDLC/HDLC Frame Format

The Frame Check Sequence (FCS) is 16 bits long and contains the generated CRC for the frame. All data transmitted between the opening and closing flags (excluding inserted zeros) are included in the CRC calculation. The generator polynomial used in SDLC is the CCITT polynomial, $X^{16} + X^{12} + X^5 + 1$.

Since the information field may contain any number of bits and not necessarily an integral number of 8-bit characters, the end of a frame is determined by counting back 16 bits from the closing flag of a frame.

In the sections that follow, the term “Synchronous mode(s)” will be used to refer to either BISYNC and/or MONOSYNC modes, and SDLC mode will be used when referring to normal SDLC operation. SDLC Loop mode will be referred to as either Loop mode or SDLC Loop mode.

4.3 MODE SELECTION

The mode that an SCC channel operates in is selected by programming WR4 as shown below. Note that the ‘x’s indicate a don’t care condition (i.e., bit setting are ignored by SCC) and ‘?’s indicate programmable settings.

Note that bits D7 and D6 of WR4 are ignored in SDLC and Synchronous modes because the x1 clock is forced internally.

	D7	D6	D5	D4	D3	D2	D1	D0
WR4	X	X	1	0	0	0	?	?

SDLC Mode

	D7	D6	D5	D4	D3	D2	D1	D0
WR4	X	X	0	0	0	0	?	?

MONOSYNC Mode

	D7	D6	D5	D4	D3	D2	D1	D0
WR4	X	X	0	1	0	0	?	?

BISYNC Mode

	D7	D6	D5	D4	D3	D2	D1	D0
WR4	?	?	X	X			?	?

- 0 1 — 1 Stop Bit
- 1 0 — 1 1/2 Stop Bits
- 1 1 — 2 Stop Bits

ASYNC Mode

WR4—Mode Settings

4.4 RECEIVER OVERVIEW

The receiver performs all the functions necessary to convert serial data back to parallel for the processor. The receiver block diagram is shown in Figure 4-5.

Serial data on the RxD pin is sampled on the rising edge of RTxC and passes through a one bit delay before either passing to the NRZI decode logic, or, depending on the mode, the Receive SYNC Register, 3-bit delay, or Receive Shift Register. Once a character has been assembled in the Receive Shift Register it is transferred to the 3 x 8-bit Receive Data FIFO, and the Receive Character Available status bit in RR0 (D0) is set to alert the processor that a character is available. This arrangement creates a 3-byte delay time which allows the CPU time to service an interrupt at the beginning of a block of high-speed data.

Every character transferred to the Receive Data FIFO is checked for errors, or Special Conditions, by the Receive Error Logic. This status is loaded into the Receive Error FIFO so that the status associated with each character can be read with that character through RR1. If receive interrupts are disabled then reading a character from the Receive Data FIFO moves the next character and its status to the top of the FIFO; so if status is needed for a character received, RR1 must be read prior to reading RR8 (Receive Buffer). If status is read after the data is read, the error data, if any, for the next character in the Error FIFO will be included also. If, however, operations are being performed rapidly enough before the next character is received, then the status will be valid. However, if certain receive interrupts are enabled, the interrupt will not be generated until the charac-

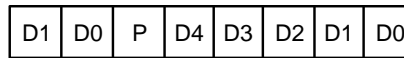


Figure 4–6. Five Bits/Character with Parity

The character length may be changed at any time before the new number of bits have been assembled by the receiver. Care should be exercised, however, as unexpected results may occur if not properly timed. A representative example of switching from five bits to eight bits and back to five bits is shown in Figure 4–7.

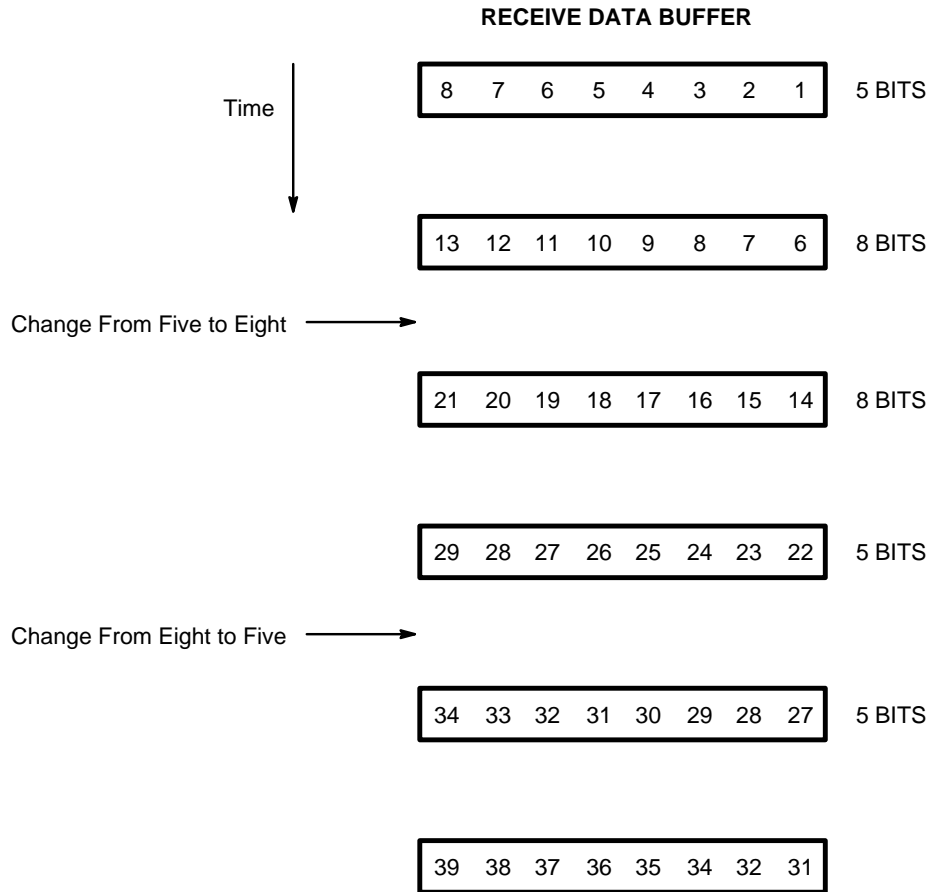


Figure 4–7. Changing Character Length

4.4.2 Rx Parity

In all modes of operation bit D0 (Parity Enable) of WR4 determines whether a Parity check is done. If this bit is set to '1', the receiver calculates a parity check on every character received, as selected by bit D1 (Parity Even/Odd) of WR4, and compares it with parity check bit transmitted. If a discrepancy is found the Parity Error status bit in the Receive Error FIFO is set at the same time that the character is transferred to the Receive Data FIFO; otherwise, the character received will be assumed to be error free.

The additional bit per character will be visible in the Receive Data FIFO if the data plus parity is eight bits or less. The parity bit will not be visible when there are eight data bits per character.

The Parity Error bit in the Receive Error FIFO may be programmed to cause a Special Condition interrupt by setting bit D2 of WR1 to '1'. If this interrupt mode is programmed, and a Parity Error is detected, an interrupt will not be generated until the character associated with the Parity Error is read from the Receive Data FIFO. This, or any, Special Condition interrupt locks up the Data FIFO, and the Parity Error bit remains latched until an Error Reset command is issued by the processor via WR0.

If interrupts are not being used to transfer data (i.e., Receive Interrupts Disabled mode) an interrupt will not be generated and any error status must be obtained by polling RR0, or reading RR2 (channel B). In this case, if status is to be checked, it must be done before the data are read, because the act of reading the data moves the next character and status to the top of the Data and Error FIFOs. Note that Parity is normally not used in SDLC modes.

4.4.3 Rx Modem Control

The SCC provides up to three Modem control signals associated with the receiver in Asynchronous mode, and two in SDLC and Synchronous modes.

In Asynchronous Mode, the $\overline{\text{SYNC}}$ pin is a general-purpose input whose state is reported via the SYNC/HUNT status bit in RR0; however, if the crystal oscillator is enabled, this pin is not available and the SYNC/HUNT status bit is forced to '0'. Otherwise, the $\overline{\text{SYNC}}$ pin may be used to carry the Ring Indicator signal. In SDLC and Synchronous modes, except for External SYNC mode, the $\overline{\text{SYNC}}$ pin is configured as an output.

The $\overline{\text{DTR/REQ}}$ pin carries the inverted state of the DTR bit in WR5 (D7) unless this pin has been programmed to carry a DMA Request signal. The $\overline{\text{DCD}}$ pin is ordinarily a general purpose input to the DCD status bit in RR0. However, if the Auto Enables mode is selected (by setting D5 of WR3 to '1'), this pin becomes an enable for the receiver. That is, if Auto Enables is on and the $\overline{\text{DCD}}$ pin is HIGH the receiver will be disabled; while the $\overline{\text{DCD}}$ pin is LOW the receiver will be enabled. Note, however, that in all modes of operation, the Receiver Enable bit must be set before the $\overline{\text{DCD}}$ pin can be used in this manner.

4.5 TRANSMITTER OVERVIEW

The transmitter performs all the necessary functions to convert parallel data from the processor into the appropriate serial bit streams. The transmit data path is shown in Figure 4–8.

The transmitter has an 8-bit Transmit Data register (WR8) which is loaded from the internal data bus, and a Transmit Shift Register which is loaded from either WR6, WR7, or the Transmit Data Register (WR8).

Serial data transitions on the falling edge of TRxC begin when data written to WR8 are transferred to the Transmit Shift Register. Each time a character is transferred from WR8 into the Transmit Shift Register a Transmit Buffer Empty indication is given via bit D2 of RR0. This double buffering allows the processor one full character time to respond with the next character without interrupting data transmission.

In all modes of operation, data will be sent low-order bits first (i.e. D0 before D1, etc.) for as many bits as programmed. This requires that data written to the Transmit Buffer be right-justified if character length is less than eight bits.

4.5.1 Tx Character Length

The number of bits transmitted per character and the way the data are formatted within the transmit buffer is controlled by bits D6 and D5 of WR5. These bits provide the option of five, six, seven, or eight bits per character. Being able to transmit less than five bits per character is possible on the SCC if the five bits per character length is programmed and the data are formatted before being written to the transmit buffer, as shown in Table 4–1, to inform the SCC of the actual number of bits to be transmitted.

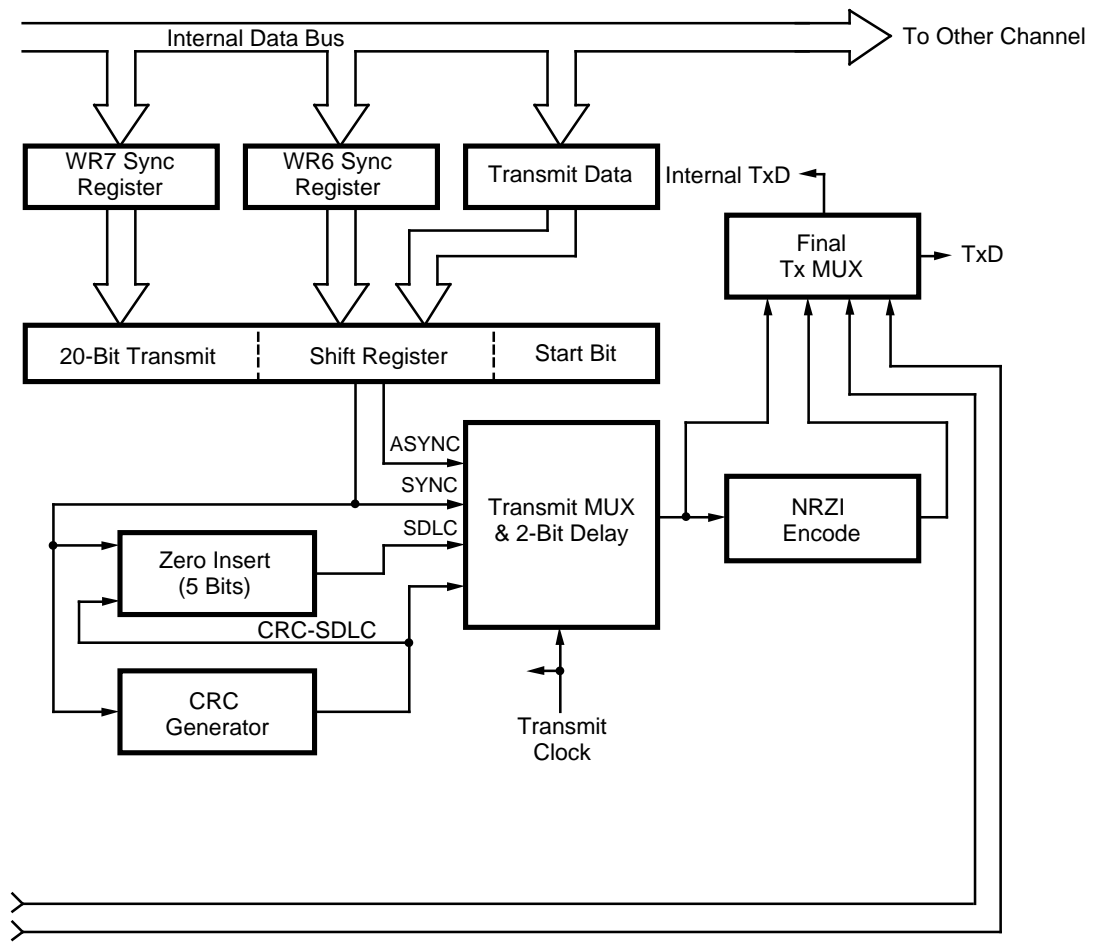


Figure 4–8. SCC Transmitter

Table 4–1. Data Format—Five Bits or Less

D7	D6	D5	D4	D3	D2	D1	D0	Bits Transmitted
1	1	1	1	0	0	0	D0	1 bit
1	1	1	0	0	0	D1	D0	2 bits
1	1	0	0	0	D2	D1	D0	3 bits
1	0	0	0	D3	D2	D1	D0	4 bits
0	0	0	D4	D3	D2	D1	D0	5 bits

The serial data stream sent by the transmitter for the six bits/character with parity case is shown below in Figure 4–9. All the unused bits are ignored by the transmit logic except in the case of five bits per character.

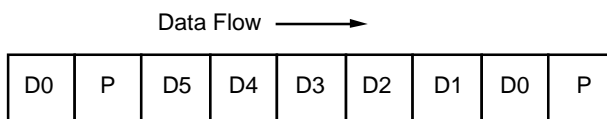


Figure 4–9. Six Bits/Character with Parity

The character length may be changed at any time, but the desired length must be selected before the character in the transmit buffer is transferred to the Transmit Shift Register. The easiest way to ensure this is to write to WR5 to change the character length before writing the data to the transmit buffer.

4.5.2 Tx Parity

In all modes of operation bit D0 (Parity Enable) of WR4 determines whether an additional bit will be appended to each character sent as an indication of the “oddness” or “evenness” of the number of ‘1’ bits transmitted in the character. If this bit is set to ‘1’ an additional bit will be sent in addition to the number of bits specified in WR4, or by the data format used when transmitting less than five bits per character.

Bit D1 of WR4 determines the even/odd sense of this additional bit when Parity is enabled. If this bit is set to ‘1’, the transmitter adds a bit that makes the total number of ‘1’ bits in the character being transmitted even; if set to ‘0’, a bit will be added to make the sum of ‘1’ bits in the character being transmitted odd.

4.5.3 Break Generation

The transmitter may be programmed to send a break condition (i.e., the TxD pin is pulled Low) in all modes of operation via bit D4 of WR5. When this bit is set to ‘1’, the transmitter suspends any data being transmitted at the time and sends continuous ‘0’s from the first transmit clock edge after this command is issued, until the first transmit clock edge after this bit is reset, at which point the transmitter continues to send the contents of the Transmit Shift Register. The transmit clock edges referred to here are those that define transmitted bit cell boundaries. Note that the TxD pin will be pulled Low whether or not the transmitter is enabled.

4.5.4 Transmit Modem Control

There are two modem control signals associated with the transmitter on the SCC. The $\overline{\text{RTS}}$ pin is a general-purpose output that carries the inverted state of the RTS bit in WR5 (D1), and the $\overline{\text{CTS}}$ pin is a general-purpose input to the CTS status bit in RR0 (D5). However, if the Auto Enables Mode is selected (by setting D5 of WR3 to ‘1’), CTS becomes an enable for the transmitter. That is, if Auto Enables is on and the $\overline{\text{CTS}}$ pin is HIGH the transmitter will be disabled; while the $\overline{\text{CTS}}$ pin is LOW the transmitter will be enabled. Note, however, that in all modes of operation, the Transmitter Enable bit must be set before the $\overline{\text{CTS}}$ pin can be used in this manner.

If the SCC channel is programmed in Asynchronous mode, and the Auto Enable bit is set to ‘1’, RTS will remain Low until the transmitter is completely empty and the last stop bit has left the TxD pin. In SDLC and Synchronous modes, the $\overline{\text{RTS}}$ pin is just a general-purpose output.

4.5.5 Auto $\overline{\text{RTS}}$ Reset

On the CMOS SCC, if bits D0 of WR15 and D2 of WR7 are set to ‘1’ and the channel is in SDLC Mode, the $\overline{\text{RTS}}$ pin may be reset early in the Tx Underrun routine and the $\overline{\text{RTS}}$ pin will remain active until the last zero bit of the closing flag leaves the TxD pin as shown in Figure 4–10.

Note that in order for this to function properly, bits D3 and D2 of WR10 must be set to ‘1’ and ‘0’, respectively.

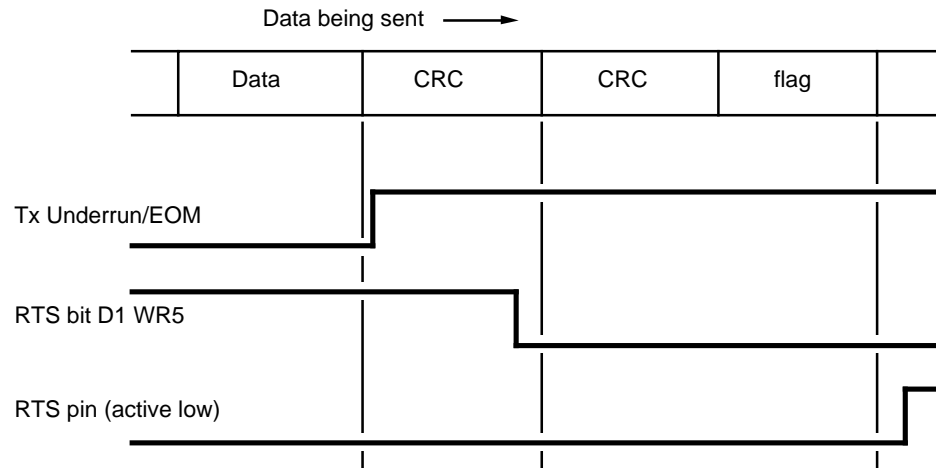


Figure 4–10. $\overline{\text{RTS}}$ Deactivation

4.6 ASYNCHRONOUS MODE OPERATION

4.6.1 Receiver Operation

In Asynchronous mode, the receiver establishes bit and character synchronization by sensing the High-to-Low transition of the Start-bit for each character. When the Start-bit is detected a clock circuit is initiated and the receiver waits one-half a bit time before sampling RxD again to ensure that RxD is still Low. If RxD is Low, the receiver assumes that it is the middle of the Start-bit and one bit time later begins to assemble the specified number of data and Parity (if enabled) bits. During reception, the Start and Stop bits are stripped leaving only the data and Parity (if enabled and with less than 8 bits/character option selected). Once the character is assembled, the receiver samples RxD one more bit time. If RxD is Low, the Framing Error bit is set and is passed to the Receive Error FIFO at the same time the character is transferred to the Receive Data FIFO. If the RxD is High, the receiver returns to the quiescent marking state until the next High-to-Low transition is detected on the RxD pin.

In this mode, serial data enters the 3-bit delay if the character length of seven or eight bits is selected. If a character length of five or six bits is selected, data enters the Receive Shift Register directly.

4.6.1.1 Receiver Initialization

The initialization sequence for the receiver in Asynchronous mode is: WR4 first to select the mode, then WR3 and WR5 to select the various options. At this point, the other registers should be initialized as necessary. When all of this is complete the receiver may be enabled by setting bit D0 of WR3 to '1'.

4.6.1.2 Framing Error

If after assembling the selected number of bits per character the Receiver finds the Stop bit to be a '0', the Framing Error bit in the Receive Error FIFO is set at the same time that the character is transferred to the Receive Data FIFO. This error bit accompanies the data to the top of the FIFO, where it generates a Special Condition interrupt (if enabled). This Framing Error bit is not latched, and so must be read in RR1 before the accompanying data is read in the Receive Data FIFO. Detection of a Framing Error adds an additional one-half bit to the character time so that the Framing Error is not interpreted as a new Start bit.

4.6.1.3 Break Detection

A break condition is recognized when a null character (all '0's) plus a Framing Error is detected by the receiver. Upon recognizing this sequence, the BREAK/ABORT status bit in RR0 will be set and remains set until a '1' is received indicating that a break condition is no longer present. Note that at the termination of a break, the Receive Data FIFO contains a single null character, which should be read and discarded. The Framing Error bit will not be set for this null character, but if odd parity has been selected, the Parity Error bit will be set. Caution should be exercised if the receive data line contains a switch that is not debounced to generate breaks. Switch bounce may cause multiple breaks, recognized by the receiver to be additional characters assembled in the Receive Data FIFO. It may also cause a Receiver Overrun condition to be latched.

4.6.1.4 Clock Selection

When an SCC channel is programmed in Asynchronous mode it may be programmed to accept a transmit/receive clock that is 1, 16, 32, or 64 times the data rate. This is selected by bits D7 and D6 in WR4. The clock factor chosen will be common to both the transmitter and receiver.

The x1 mode in Asynchronous mode is a combination of both synchronous and asynchronous transmission. The data are clocked by a common timing base, but characters are still framed with Start and Stop bits. Because the receiver waits for one clock period after detecting the first High-to-Low transition before beginning to assemble characters, the data and clock must be synchronized externally. The x1 mode is the only mode in which a data encoding method other than NRZ may be used.

In SDLC and Synchronous modes bits D7 and D6 of WR4 are ignored because the x1 clock is forced internally.

4.6.2 Transmitter Operation

In Asynchronous mode, WR6 and WR7 are not used and the Transmit Shift Register is formatted with Start and Stop bits before data are shifted out to the transmit multiplexer at the selected clock rate. Asynchronous data leaves the Transmit Shift Register and goes directly to the Transmit Multiplexer. CRC generation is not supported in this mode.

4.6.2.1 Transmitter Initialization

The initialization sequence for the transmitter in Asynchronous mode is: WR4 first to select the mode, then WR3 and WR5 to select the various options. At this point the other registers should be initialized as necessary. When all of this is complete, the transmitter may be enabled by setting bit D3 of WR5 to '1'.

At this point, the transmitter is enabled and the TxD pin will remain in the marking (High) state. When the first character is written to WR8, it is transferred to the Transmit Shift Register and the Transmit Buffer Empty bit is set to '1'. A Parity bit (if enabled), Start-bit, and the selected number of Stop bits are then appended to the character. After the character has been completely sent, the next character is transferred to the Transmit Shift Register and the process continues. When no more characters are to be transmitted (i.e., the transmitter is completely empty), the All Sent status bit in RR1 (D0) will be set when the last Stop bit reaches the TxD pin. This bit can be used by the processor as an indication that the transmitter may be safely disabled. The TxD pin then remains in the marking state until the next character is written to WR8.

4.6.2.2 Stop Bit Selection

The SCC provides three Stop-bit options via bits D3 and D2 in WR4. The options available are one, one-and-a-half, or two stop bits per character. These two bits in WR4 select only the number of Stop bits for the transmitter, as the receiver always checks for one Stop bit. Note that the selected clock factor may restrict the number of Stop bits that may be transmitted. In particular, when the clock rate and data rate are the same (i.e., x1 mode), one-and-a-half Stop bits are not allowed. If any length other than one Stop bit is desired in the x1 mode, only two Stop bits can be used.

4.7 SDLC MODE OPERATION

4.7.1 Receiver Operation

Receiver operation in SDLC mode begins in a Hunt mode where the communications line is monitored for a synchronizing pattern on a bit-by-bit basis. The receiver may be placed in Hunt mode by having the processor issue the Enter Hunt Mode command via bit D4 in WR3, but will always start out in Hunt mode when it is enabled. The Enter Hunt Mode bit in WR3 is a command so writing a '0' to it has no effect.

The Hunt status of the receiver is reported by the SYNC/HUNT status bit in RR0. In SDLC mode, this status bit will be set to '1' when either; 1) the processor issues the Enter Hunt Mode command, 2) the processor disables the receiver, or 3) an abort is detected. It will be reset to '0' when the receiver leaves Hunt mode, or when the abort condition goes away. Unlike BISYNC or MONOSYNC mode, once the SYNC/HUNT status bit is reset it does not need to be set again in between frames because the Receiver always maintains synchronization.

This SYNC/HUNT status bit is one of the possible sources of External/Status interrupts, with both transitions causing an interrupt. This is true even if the SYNC/HUNT bit is set as a result of the processor issuing the Enter Hunt Mode command.

While in Hunt mode the Receive SYNC Register and WR7 are used in establishing character synchronization. As data are received, the receiver searches for the bit pattern, '01111110', programmed in WR7. This sequence of six consecutive '1' bits is prevented from occurring randomly elsewhere in the frame through a process called zero-bit insertion in which the transmitter inserts a '0' bit after five consecutive '1' bits, irrespective of character boundaries. In turn, the receiver always searches the receive data stream on a bit-by-bit basis for five consecutive '1's. When the receiver detects a '0' bit followed by five '1' bits, it inspects the following bit. If it is a '0', the one bits are passed as data and the zero bit is deleted. If the sixth bit is a '1', the receiver inspects the seventh bit. If it is a '0', a flag has been encountered and the receiver is synchronized to that flag; if it is a '1' an abort or an EOP (End of Poll) has been encountered.

When a flag is detected and Address Search mode is not enabled, the receiver leaves Hunt mode and character assembly begins with the first non-flag character. Once character assembly begins characters are assembled according to the number of bits per character specified until: 1) an end of frame flag is detected, 2) an abort pattern is detected, 3) the receiver is disabled, or 4) a channel or hardware reset is executed.

All data passes through the Receive Sync Register and the 3-bit delay before entering the Receive Shift Register once synchronization is achieved. Ordinarily, the receiver transfers all data between flags to the Receive Data FIFO, but while it is in Hunt mode no flags will be transferred.

4.7.1.1 Flag Detect Output

In SDLC mode, if bit D7 of WR11 is set to '0', the SYNC pin will be configured as an output and the SCC will drive it Low every time a flag pattern is detected in the data stream. The timing for the SYNC signal is shown in Figure 4-11.

4.7.1.2 Receiver Initialization

The initialization sequence for the receiver in SDLC mode is: WR4 first, to select the mode, then WR10 to modify it if necessary, WR6 to program the address, WR7 to program the flag and WR3 and WR5 to select the various options. At this point the other registers should be initialized as necessary. When all of this is complete, the receiver may be enabled by setting bit D0 of WR3 to '1'.

4.7.1.3 10x19-Bit Frame Status FIFO

In addition to the 8-bit Receive Data and Error FIFO's, the CMOS SCC Receiver incorporates a 14-bit receive byte counter and a 10x19-bit FIFO array for storing frame status for up to ten frames. This FIFO enhances the SCC's ability to receive high speed back-to-

back SDLC frames by minimizing frame overruns due to CPU latencies in responding to interrupts. The block diagram of the 10x19-bit FIFO is shown in Figure 4–12.

4.7.1.3.1 FIFO Enabling/Disabling

This Frame Status FIFO is enabled through WR15 bit D2 but only when the SCC is programmed in SDLC mode. Since each channel incorporates this FIFO, each can be enabled and disabled independently.

Resetting bit D2 of WR15 disables and resets the FIFO. Table 4–2 tabulates the enabling/disabling of channel FIFOs. Note that the FIFO pointer logic is reset when D2 of WR15 is reset or after a power-on reset.

When the Frame Status FIFO is disabled, the CMOS SCC is completely downward compatible with the NMOS SCC, and the status register contents bypass the FIFO and go directly to the bus interface as shown in Figure 4–12.

The status of the FIFO Enable signal can be obtained by reading bits D2 of RR15 through their respective channels. If the FIFO is enabled, this bit will be set to '1'; otherwise, it will be set to '0'.

4.7.1.3.2 FIFO Read Operation

To facilitate the use of these FIFOs, two new registers were added. These registers, RR6 and RR7, are accessible only when bit D2 of WR15 is set to '1', and the SCC is programmed in SDLC mode.

Table 4–2. Frame Status FIFO Enabling

WR15A(D2)	WR15B(D2)	Operation
0	0	Ch.A and Ch.B FIFOs disabled and reset
1	0	Ch.A and Ch.B FIFOs enabled but not independent (resetting D2 or WR15A resets both FIFOs simultaneously)
1	1	Ch.A and Ch.B FIFOs enabled and independent (resetting D2 in either channel resets only pertinent FIFO)
0	1	Ch.B FIFO enabled only

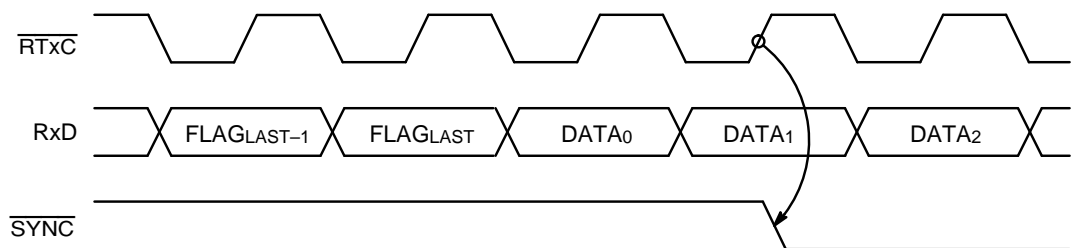


Figure 4–11. Flag Detect Timing

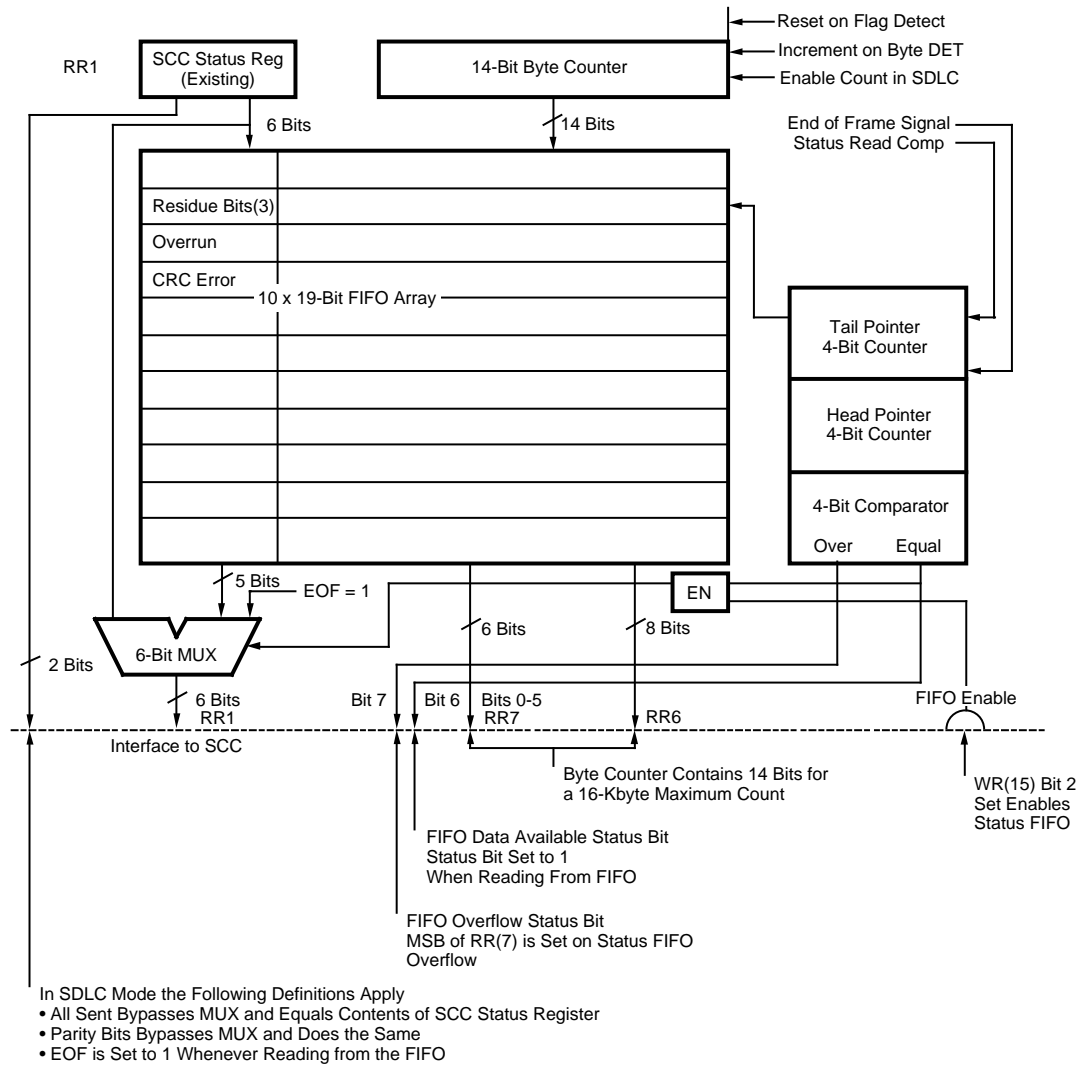


Figure 4–12. 10x19-Bit Frame Status FIFO

When this FIFO is enabled, RR6 accommodates the LSB byte count from the 14-bit byte counter and RR7 accommodates the MSB byte count along with FIFO availability and Overflow status. Figure 4–13 shows the details of these registers including WR15.

If frame status is to be acquired from the 10x19-bit FIFO, it must be enabled and not empty, and the registers must be read in the following order: RR7, RR6, and RR1 (reading RR6 is optional). Accessing RR7 latches the FIFO Empty/Full status bit (D6 of RR7) and steers the status multiplexer to read from the 10x19-bit FIFO array instead of from the 8-bit Status FIFO.

Reading RR1 immediately after RR7 causes one location of the FIFO to be emptied, so status should be read after reading the byte count; otherwise, the count will be incorrect. If the FIFO goes empty when RR1 is read, the FIFO is disabled and the next read of RR1 will be directly from the 8-bit status FIFO, and reads from RR7 and RR6 will contain bits that are undefined. To determine if status data is coming from the 10x19-bit FIFO or directly from the status register the user should check bit D6 of RR7. If this bit is set to '1' the FIFO is not empty; if set to '0' the FIFO is empty.

Since not all status bits of RR1 are stored in the Frame Status FIFO, the All Sent, Parity, and EOF bits bypass the FIFO and are stored in the 8-bit Status FIFO. The status bits stored in the 10x19-bit FIFO will be the Residue, Overrun, and CRC status bits. Note that the EOF interrupt is generated the same way as before.

4.7.1.3.3 FIFO Write Operation

When an EOF is detected, and the FIFO is enabled, the five status bits and byte-count are loaded into the FIFO, and the FIFO pointer is incremented. If the FIFO overflows, bit D7 of RR7 (FIFO Overflow) is set to indicate the overflow. This bit and the FIFO control logic is reset by disabling and re-enabling the FIFO control bit (WR15 bit D2). For details of FIFO control timing during an SDLC frame, refer to Figure 4–14.

When a packet is completely received, then a Receive Interrupt on Special Condition is generated upon receipt of the End of Frame Flag. If the clock is temporarily stopped after the receipt of the flag, the Frame Status FIFO may not be updated even though the interrupt was generated. At least two receive clocks are needed to update the Frame Status FIFO. The Frame Status information is not lost and will be put into the Frame Status FIFO when the clock is enabled again.

4.7.1.3.4 14-Bit Byte Counter

The 14-bit byte counter allows for data frames of up to 16K bytes to be received. It is enabled when bit D2 of WR15 is set to '1' and the SCC is in SDLC mode. It is reset whenever an SDLC flag character is received. The reset is timed so that the contents of the byte counter are successfully written into the FIFO.

The byte counter is incremented by writes to the 8-bit receive Data FIFO. The counter represents the number of bytes received by the SCC, rather than the number of bytes transferred from the SCC. (These counts may differ by up to the number of bytes in the receive data FIFO contained in the SCC.)

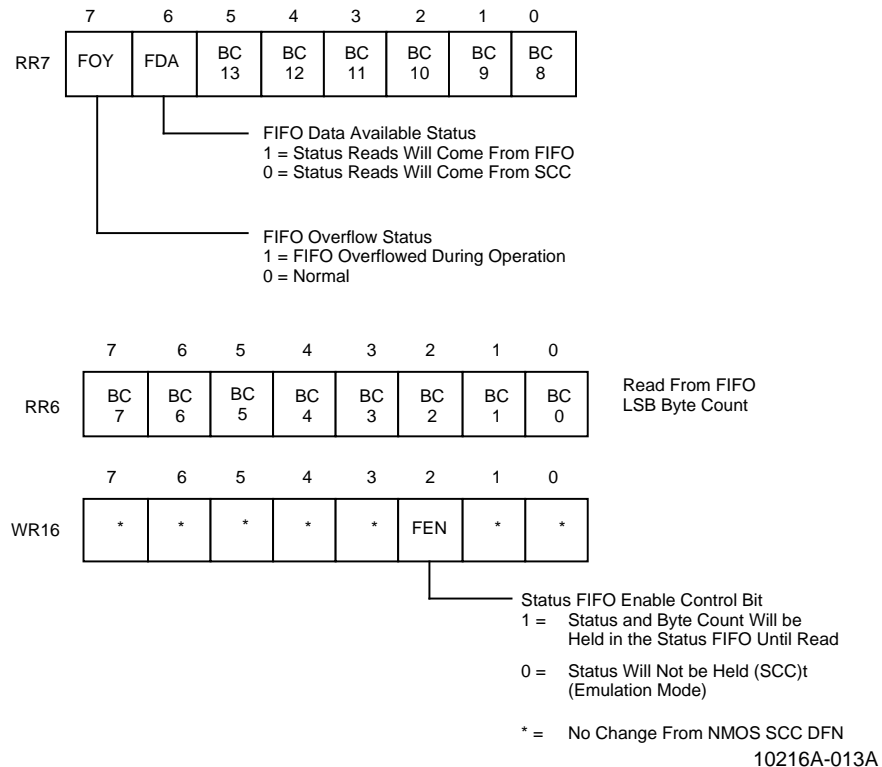
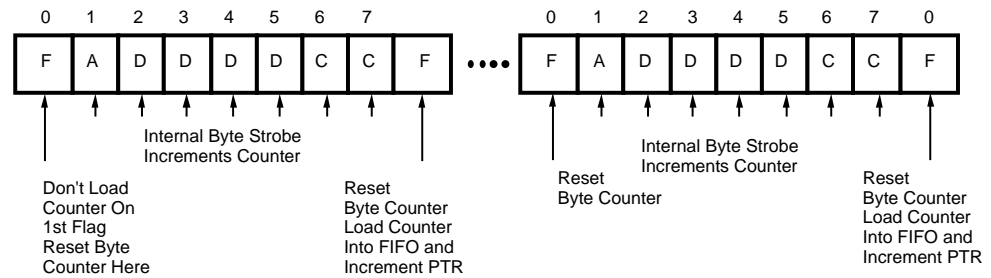


Figure 4–13. Frame Status FIFO Registers



10216A-012A

Figure 4-14. Frame Status FIFO Control Timing

4.7.1.3.5 Am85C30 Frame Status FIFO Operation Clarification

In an effort to make the 10x19 Frame Status FIFO (FSF) useful for high-speed reception of packets, the lock on the 3-byte receive FIFO that occurs after special conditions in two of the receive interrupt modes was removed. The benefit of this operation is that the user can receive multiple frames of SDLC data before having to service the interrupt. Competition 85C30 freezes the Rx FIFO after every frame, so the user could lose frames of data between the end of the first frames and Reset Error command. In this case the user must service interrupts for every frame of data on the competition 85C30, defeating the purpose of the FIFO. AMD allows the user to receive up to 10 frames of data before having to service the interrupt, thus obtaining the maximum (desired) utilization of the FSF.

A clarification of the enhanced operation is given below. the removal of the lock on the Receive Data 3-byte FIFO affects the device when it is programmed in the "Interrupt on First Receive Character of Special Condition" or "Interrupt on Special Condition Only" modes.

1. When the 10x19 Frame Status FIFO (FSF) is *not* enabled, the 3-byte Receive FIFO (Rx FIFO) locks when a special condition is received until the Reset Error command is issued. DMA is disabled when the Rx FIFO locks until the Reset Error command is issued (same as old operation).
2. When the FSF is enabled:
 - a. The 3-byte Receive FIFO *never* locks.
 - b. DMA is disabled *only* on overrun (i.e. overruns do not lock the Rx FIFO, but do disable DMA).

To reenble DMA after an overrun, the following sequence must be used:

- i. Read and discard ALL entries in the Receive Data 3-byte FIFO.
- ii. Issue the Error Reset command.
- iii. Note that if an additional byte of data is received between the time that the Receive Data FIFO is emptied and the ERROR RESET command is issued. DMA will NOT unlock. This signals the user that corrupt data remains in the Receive Data FIFO. The user must read and discard all entries in the Receive Data 3-byte before DMA will reenble. Note that an additional ERROR RESET is not required.
- c. Interrupts are generated and remain active until the RESET ERROR command is issued.
- d. Interrupt vectors (in Read Register 2B) are modified as follows. There are two bit patterns for Receiver Interrupts, x11-Special Receive condition, and x10 Receive Character Available. Refer to Figure 3-2 (page 3-6) and Table 6-4 (page 6-19) of this manual.

- i. The Status x11 will be reported when the first special conditions is received.
- ii. As more data is received, the status will switch to x10 to reflect that a Receiver interrupt has been received, but that the present data in the Receive Data 3-byte FIFO does not contain a special condition.
- iii. when a special condition resides at the top of the Receive Data FIFO, the status x11 will be reported.

4.7.1.3.6 Am85C30 Aborted Frame Handling When Using The 10x19 Frame Status FIFO

Field feedback on the Am85C30 Frame Status FIFO has revealed that neither AMD nor competition create an entry in the Frame Status FIFO when a frame being received is aborted (seven or more consecutive 1s appear in the receive Data stream). An aborted frame indicates to the receiver that synchronization has been lost. the receiver then enters "Hunt Mode" where it monitors the input data stream until a SDLC flag is recognized. After an SDLC flag is received, the receiver is capable of receiving additional data frames.

Because of the lack of an entry in the Frame Status FIFO for aborted frames, the receiver cannot look only at the Frame Status FIFO to determine the exact nature of all data received. To properly recognized and recover from aborted frames, the following practice is recommended:

1. The receiver must enable an external/status interrupt on ABORT.
2. When an interrupt due to an ABORT is received, all frames contained in the Frame Status FIFO should be considered to be corrupted and discarded. The processor should request re-transmission of these frames.
3. Note that an external/status interrupt will be generated both when an ABORT is received and when the ABORT condition disappears. Either transition of the ABORT status will cause the ABORT bit in Read Register 0 to latch until a "Reset External/Status Interrupt" command is issued through Write Register 0.

This behavior is identical on both competition and AMD product and is not revision dependent.

4.7.1.4 Address Search Mode

The first 8-bit non-flag character following the opening flag of a frame is assumed by the SCC to be the address of the station for which the frame is intended. The SCC provides several options for handling this address via bits D2 (Address Search mode) and D1 (SYNC Character Load Inhibit) of WR3.

If the Address Search mode is enabled, the receiver's address recognition logic will be enabled and the receiver will compare the first 8-bit non-flag character with the contents of WR6. If these two characters match, or if the received character is the global address (all '1's), data are passed to the Receive Shift Register and character assembly begins. If no match is detected the receiver remains in Hunt mode and no data are passed to the Receive Shift Register. The global address is used in applications where a specific station address is not known, as might be the case in a switched connection, or when a broadcast frame is sent to all stations. Address Search mode will be enabled when WR3 is programmed as shown below.

D7	D6	D5	D4	D3	D2	D1	D0
?	?	?	?	X	1	0	?

WR3—Register Layout

The address comparison will be across all eight bits of WR6 when the Sync Character Load Inhibit bit (D1 in WR3) is set to '0'. This comparison may be modified so that only the four most significant bits of WR6 must match the received address. This mode is selected by programming WR3 as shown below.

D7	D6	D5	D4	D3	D2	D1	D0
?	?	?	?	X	1	1	?

WR3—Register Layout

In this mode, however, the address field is still eight bits wide. Regardless of the mode enabled, the address field is not treated differently than data and is always transferred to the Receive Data FIFO in the same manner as data. Note that Address Search mode is available only in SDLC mode.

SDLC address search mode (bit D2 in Write Register 3 is set) and Receive Full CRC mode (bit D5 of Write Register 7) should not be used in conjunction with each other. If these modes are used together, the Am85C30 will accept all packets with addresses that match the address programmed into Register 6 and will accept only the address byte of the packet with addresses that do not match the Register 6 address. Proper operation of address search mode calls for the complete rejection of packets with addresses that do not match the Register 6 address.

4.7.1.5 Abort Detection

In addition to monitoring the data stream for flags, the receiver also monitors the line for an abort pattern. An abort is detected when seven consecutive '1's are found in the data stream. This is usually an indication sent by the transmitter alerting the receiver that the frame currently being received has been aborted and should be discarded.

The detection of an abort is reported in the BREAK/ABORT status bit in RR0 (D7). This status bit is one source of External/Status interrupts, so transitions of this status bit may be programmed to cause interrupts.

An abort automatically forces the receiver into Hunt mode and sets the SYNC/HUNT status bit in RR0 (D4) to '1'. Because this status bit is also a possible External/Status condition, its transition may also be programmed to cause an interrupt. Thus transitions on both the BREAK/ABORT and SYNC/HUNT status bits may occur very close together, and either one or two External/Status interrupts may result.

The BREAK/ABORT status bit will be reset when a '0' is received, either by the abort itself going away or as the leading '0' of a flag. In either case, the SYNC/HUNT status bit will remain set until the receiver leaves Hunt mode. Because both transitions on the BREAK/ABORT status bit are guaranteed to cause an interrupt, two discrete External/Status Interrupts will occur; one when the abort is detected and one when the abort goes away.

Note that the SCC does not discriminate between an in-frame (between opening and closing flags) and an out-of-frame (after EOF) abort. An abort detected while the receiver is In-Frame terminates frame reception, but not in an orderly manner, because the character being assembled is lost and the Receive Data FIFO is not flushed. An out-of-frame abort interrupt will be generated approximately seven bit times after EOF has been detected if the transmitter mark idles. If an ABORT is detected by the receiver after the closing flag and eight 1s have been received, the ABORT will persist until another flag is detected at which time the receiver exits from Hunt Mode. If an out-of-frame interrupt is to be avoided it should be disabled early in the EOF interrupt routine. Because the BREAK/ABORT status bit is not latched in RR0, it may happen that this status bit will be reset by the time the software responds to the interrupt, causing yet another interrupt. In this case, unless the DCD pin has been programmed as the receiver Auto Enable, the SYNC/HUNT

status bit may be able to provide the indication that an abort pattern was received, since an abort condition places the receiver in Hunt mode.

4.7.1.6 Residue Bits

Since the information field of an SDLC/HDLC frame can contain any number of bits and not necessarily an integral number of 8-bit characters, the end of data is determined by counting back 16 bits from the closing flag of a frame. The SCC provides three Residue bits that can be used to indicate the boundary between the data and CRC characters in the last few bytes read from the Receive Data FIFO. The meaning of these Residue bits with each character length option is shown in Table 4–3. In this table “previous byte” refers to the character received prior to the end of frame flag being detected.

The Residue Code bits are not loaded through the top of the Receive Error FIFO. They change in RR1 when the last character of the frame is loaded into the Receive Data FIFO. If there are any characters already in the Data FIFO, the Residue Code will not be valid until the EOF status bit is set in RR1.

4.7.2 SDLC Mode CRC Polynomial Selection

CRC error checking is done with a 16-bit CRC character inserted between the end of the data field and the end of frame flag. In Synchronous modes, a control character is usually used to signify when an end of message has been received (i.e., ETX, EOT, etc.). This control character comes before the CRC characters; so on reception, the CRC calculation can be stopped and the transmitted CRC characters are compared with the CRC characters generated by the receiver. This cannot be done in SDLC mode, since the end of frame flag is after the CRC characters. In order to use the same core hardware configuration already used in Synchronous modes, SDLC mode requires that the transmit CRC generator be preset to all ‘1’s, and the complement of the CRC result be transmitted. On reception, the receive CRC generator must also be preset to all ‘1’s and, when the end of frame flag is detected, the result is checked against the bit pattern ‘0001110100001111’ to ascertain frame integrity. This is consistent with other bit-oriented protocols, such as HDLC and ADCCP.

Table 4–3. Residue Codes

Residue code			Data Bits in Previous Byte				Data Bits in Second Byte				Data Bits in Third Byte			
0	1	2	8B/C	7B/C	6B/C	5B/C	8B/C	7B/C	6B/C	5B/C	8B/C	7B/C	6B/C	5B/C
1	0	0	0	0	0	0	3	1	0	2	8	8	5	7
0	1	0	0	0	0	0	4	2	0	0	8	8	6	3
1	1	0	0	0	0	0	5	3	1	0	8	8	7	4
0	0	1	0	0	0	0	6	4	2	0	8	8	8	5
1	0	1	0	0	0	0	7	5	3	1	8	8	8	6
0	1	1	0	0	0	–	0	6	4	–	8	8	8	–
1	1	1	0	0	–	–	1	0	–	–	8	7	–	–
0	0	0	0	–	–	–	2	–	–	–	8	–	–	–

Because the bit pattern used by the receiver for CRC error checking is based on an industry standard polynomial, only the CRC-CCITT polynomial ($X^{16}+X^{12}+X^5+1$) can be used in SDLC mode.

The CRC transmission and CRC-CCITT polynomial are enabled by programming WR5 as shown below.

D7	D6	D5	D4	D3	D2	D1	D0
?	?	?	?	?	0	?	1

WR3—Register Layout

4.7.2.1 Rx CRC Initialization

Bit D7 of WR10 controls the initial state of both the transmit and receive CRC generators. Although the transmit and receive generators may be preset to either all '0's or all '1's, SDLC operation requires that this bit be set to '1' for proper error detection.

The receive CRC generator will be automatically preset whenever the receiver is in Hunt mode, or a flag is detected so a Reset CRC Checker command should not be necessary. It may, however, be preset whenever necessary by issuing this command in WR0.

4.7.2.2 Rx CRC Enabling

In SDLC Mode, the SCC always calculates CRC on all bits, except inserted zeros, between the opening and closing flags of a frame, so the Rx CRC Enable bit in WR3 (D3) is ignored.

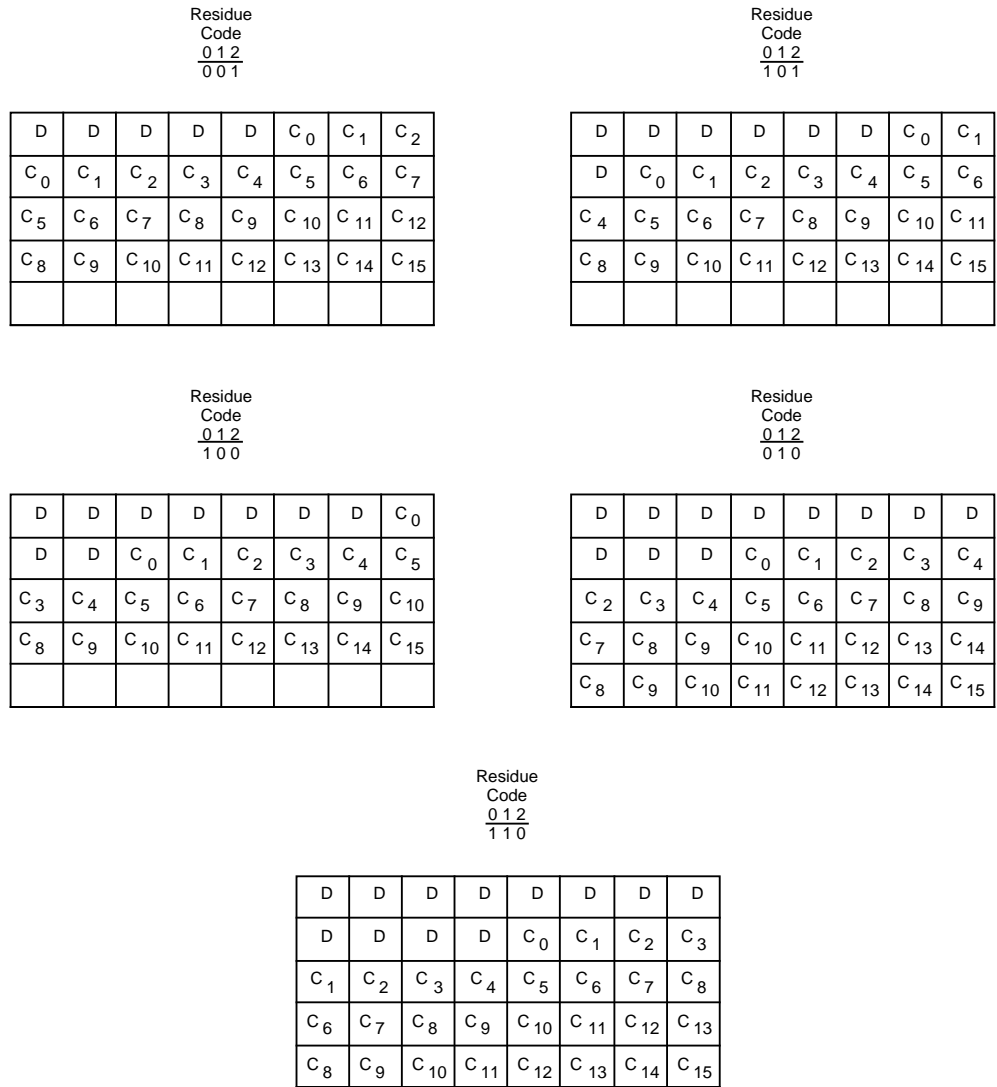
4.7.2.3 CRC Error

When the end of frame flag is detected, the CRC Error bit is loaded into the Receive Error FIFO at the same time the character in the Receive Shift Register is transferred to the Receive Data FIFO. Since this CRC Error status bit is not latched internally, it will usually always be set to '1' in RR1, since most bit combinations, except for a correctly completed frame, result in a non-zero CRC. Hence, the CRC Error bit should not be considered valid until the EOF status bit is set to '1' in RR1, and should be ignored at all other times.

4.7.2.4 CRC Character Reception

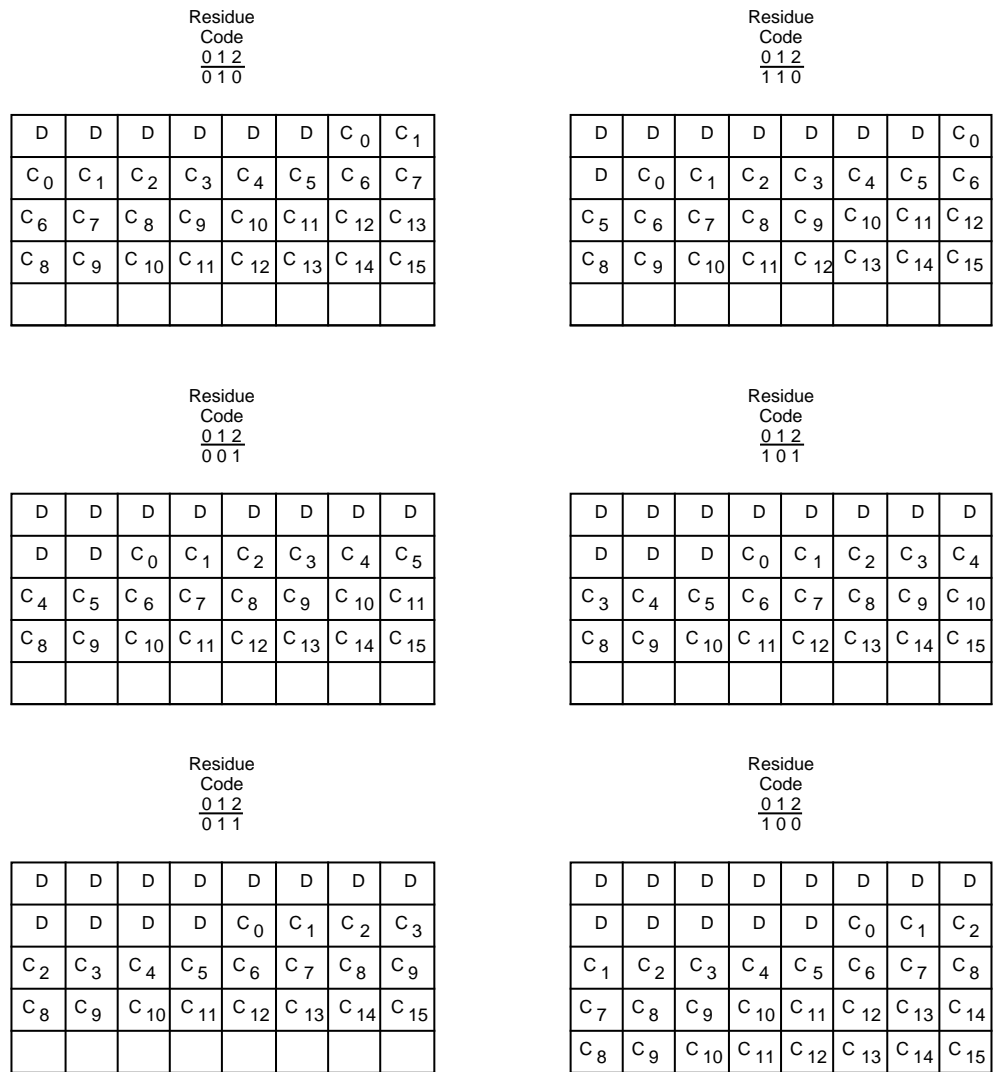
On the NMOS SCC, when the end of frame flag is detected the contents of the Receive Shift Register are transferred to the Receive Data FIFO regardless of the number of bits accumulated. Because of the 3-bit delay between the Receive SYNC Register and Receive Shift Register, the last two bits of the CRC check character received are never transferred to the Receive Data FIFO. Thus, the received CRC characters are unavailable for use.

On the CMOS SCC, the option of being able to receive the complete CRC characters generated by the transmitter is provided when both bits D0 of WR15 and bit D5 of WR7 are set to '1'. When these two bits are set and an end of frame flag is detected, the last two bits of the CRC will be clocked into the Receive Shift Register before its contents are transferred to the Receive Data FIFO. The data-CRC boundary and CRC character bit formats for each Residue Code provided are shown in Figures 4–15 through 4–18 for each character length selected.



10216A-015A

Figure 4-15. Five Bits/Character



10216A-016A

Figure 4-16. Six Bits/Character

Residue
Code
0 1 2
1 1 1

D	D	D	D	D	D	D	C ₀
C ₀	C ₁	C ₂	C ₃	C ₄	C ₅	C ₆	C ₇
C ₇	C ₈	C ₉	C ₁₀	C ₁₁	C ₁₂	C ₁₃	C ₁₄
C ₈	C ₉	C ₁₀	C ₁₁	C ₁₂	C ₁₃	C ₁₄	C ₁₅

Residue
Code
0 1 2
1 0 0

D	D	D	D	D	D	D	D
D	C ₀	C ₁	C ₂	C ₃	C ₄	C ₅	C ₆
C ₆	C ₇	C ₈	C ₉	C ₁₀	C ₁₁	C ₁₂	C ₁₃
C ₈	C ₉	C ₁₀	C ₁₁	C ₁₂	C ₁₃	C ₁₄	C ₁₅

Residue
Code
0 1 2
0 1 0

D	D	D	D	D	D	D	D
D	D	C ₀	C ₁	C ₂	C ₃	C ₄	C ₅
C ₅	C ₆	C ₇	C ₈	C ₉	C ₁₀	C ₁₁	C ₁₂
C ₈	C ₉	C ₁₀	C ₁₁	C ₁₂	C ₁₃	C ₁₄	C ₁₅

Residue
Code
0 1 2
1 1 0

D	D	D	D	D	D	D	D
D	D	D	C ₀	C ₁	C ₂	C ₃	C ₄
C ₄	C ₅	C ₆	C ₇	C ₈	C ₉	C ₁₀	C ₁₁
C ₈	C ₉	C ₁₀	C ₁₁	C ₁₂	C ₁₃	C ₁₄	C ₁₅

Residue
Code
0 1 2
0 0 1

D	D	D	D	D	D	D	D
D	D	D	D	C ₀	C ₁	C ₂	C ₃
C ₃	C ₄	C ₅	C ₆	C ₇	C ₈	C ₉	C ₁₀
C ₈	C ₉	C ₁₀	C ₁₁	C ₁₂	C ₁₃	C ₁₄	C ₁₅

Residue
Code
0 1 2
1 0 1

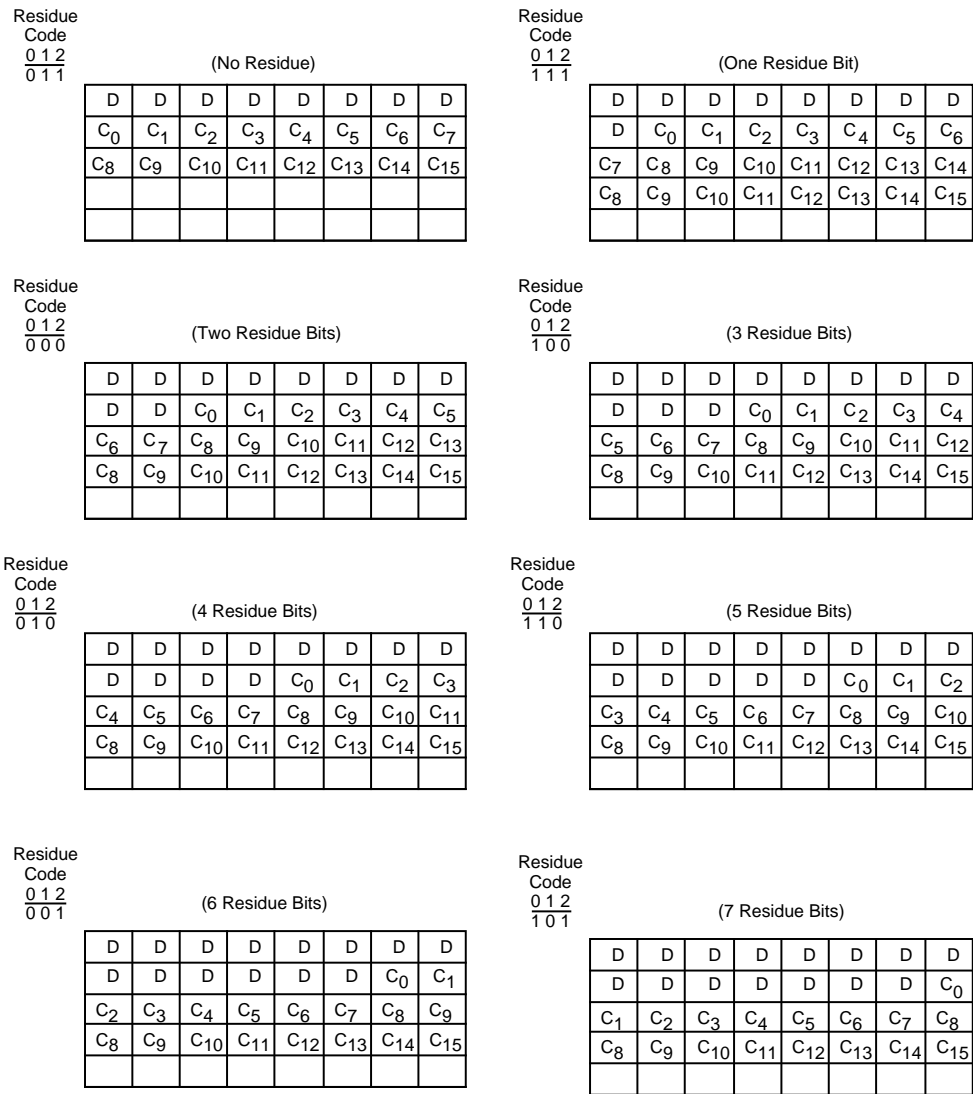
D	D	D	D	D	D	D	D
D	D	D	D	D	C ₀	C ₁	C ₂
C ₂	C ₃	C ₄	C ₅	C ₆	C ₇	C ₈	C ₉
C ₈	C ₉	C ₁₀	C ₁₁	C ₁₂	C ₁₃	C ₁₄	C ₁₅

Residue
Code
0 1 2
0 1 1

D	D	D	D	D	D	D	D
D	D	D	D	D	D	C ₀	C ₁
C ₁	C ₂	C ₃	C ₄	C ₅	C ₆	C ₇	C ₈
C ₈	C ₉	C ₁₀	C ₁₁	C ₁₂	C ₁₃	C ₁₄	C ₁₅

10216A-017A

Figure 4-17. Seven Bits/Character



10216A-018A

Figure 4–18. Eight Bits/Character

4.7.3 End of Frame (EOF)

Once character assembly begins characters are assembled according to the number of bits per character specified until an end of frame flag is detected. When this condition is detected, the receiver transfers the contents of the Receive Shift Register into the Receive Data FIFO regardless of the number of bits assembled, and the Residue Code, the CRC Error bit, and EOF Status bit are latched in the Receive Error FIFO.

If either the Rx Interrupt on Special Condition Only or Rx Interrupt on First Character or Special Condition mode is selected, an interrupt will be generated when the EOF Status bit reaches the top of the Error FIFO, but only after its associated character is read from the Receive Data FIFO. When the character is read the FIFO will be locked, that is, the EOF Status bit remains set for all subsequent characters received until reset by the Error Reset Command. The processor may then read RR1 to determine the CRC status and Residue Code of the frame and issue an Error Reset command in WR0 to unlock the Receive Data FIFO.

4.8 TRANSMITTER OPERATION

In SDLC Modes, the transmitter automatically envelopes the data written to the Transmit Buffer Register (WR8) with the flag character in WR7. Because the SCC transfers the flag character eight bits at a time, zero-suppressed flags (i.e., where the ending zero bit of one flag is the beginning zero bit of the succeeding flag) are not supported. The receiver, however, can receive either zero-suppressed or fully-formed flags. While flags are transmitted the zero insertion logic is inhibited.

When transmitting data in SDLC modes, note that all data passes through the zero inserter, which adds an extra five bit times of delay between the Transmit Shift Register and the Transmit Data (TxD) pin.

4.8.1 Transmitter Initialization

The initialization sequence for the transmitter in SDLC modes is: WR4 first, to select the mode, then WR10 to modify it if necessary, WR7 and WR6 to program the flag and address field (if used), and then WR3 and WR5 to select the various options. At this point, the other registers should be initialized as necessary. Once all of this is complete the transmitter will be idle with the TxD pin pulled high until the transmitter is enabled via bit D3 in WR5. When this bit is set to '1', the transmitter starts mark idling (i.e., a pattern of all one bits are sent eight bits at a time), and continues to mark idle until the MARK/FLAG Idle bit in WR10 (D3) is set to '0'. When this bit is reset to '0' and the current mark idle pattern has left the Transmit Shift Register, the transmitter will begin sending flag characters and will continue to send flag characters until a character is written to the Transmit Buffer. During this flag idle time the CRC generator may be initialized by issuing the Reset Tx CRC Generator Command in WR0.

When a character is written to WR8 and the current flag character has been sent, the transmitter starts sending data and continues to send data until an underrun condition occurs. The Tx Buffer Empty status bit in RR0 (D2) will be set to '1' each time the contents of WR8 are transferred to the Transmit Shift Register. It will be reset to '0' each time the Transmit Buffer is written to, and while the CRC is being sent in SDLC and Synchronous modes. If the Transmitter Interrupt Enable bit in WR1 is set to '1' then the Low-to-High transition of the Tx Buffer Empty status bit will generate an interrupt.

4.8.2 MARK/FLAG Idle Generation

The Transmitter may be programmed to either mark or flag idle when no data are being transmitted. If the MARK/FLAG idle bit in WR10 (D3) is set to '1', the transmitter will mark idle by transmitting continuous '1's; otherwise, it will flag idle by transmitting continuous flags. The state of this bit determines the idle pattern transmitted after the closing flag of the frame is sent and not before.

On the NMOS SCC, if the transmitter is actively mark idling, and a frame of data is ready to be transmitted, the MARK/FLAG idle bit must be set to '0' before data are written to WR8; otherwise, the opening flag will not be sent properly. However, care must be exercised in doing this because the mark idle pattern (eight '1' bits) is transmitted eight bits at a time, and all eight bits must have transferred from the Transmit Shift Register before a flag may be loaded and sent. If data are written into the Transmit Buffer (WR8) before the flag is loaded into the Transmit Shift Register, the data character written to WR8 will supersede flag transmission and the opening flag will not be transmitted.

4.8.3 Auto Flag Mode

On the CMOS SCC, if bit D0 of WR15 is set to '1', and the SCC is programmed for SDLC operation, an option is provided via bit D0 of WR7' that eliminates this requirement. If bit D0 of WR7' is set to '1' and a character is written to the Transmit Buffer while the Transmitter is mark idling, the Mark/Flag Idle bit in WR10 need not be reset to '0' in order to have the opening flag sent because the transmitter will automatically send it before commencing to send data.

In addition, as long as bit D0 of WR15 and bit D1 of WR7' are set to '1', the CRC transmit generator will be automatically preset to the initial state programmed by bit D7 of WR10

(so the Reset Tx CRC Generator command is also not necessary), and the Tx Underrun/EOM latch will be reset automatically on every new frame sent. This ensures that an opening flag and proper CRC generation and transmission will always be sent without processor intervention under varying bus latency conditions.

4.8.4 Abort Generation

The premature termination of a frame is called an “abort”. A properly transmitted SDLC frame will be terminated by appending the CRC characters and a closing flag, but the SCC may be programmed to terminate the frame by sending an abort and a flag instead. This option allows the SCC to abort the transmission of a frame in progress and at the same time signify to the receiver that another frame will follow.

This is controlled by the ABORT/FLAG on Underrun bit in WR10 (D2). When this bit is set to ‘1’, and an underrun occurs, the transmitter will transmit an abort immediately followed by a flag instead of the normal CRC. If this bit is set to ‘0’, the frame will be terminated normally.

The processor is also able to send an abort by issuing the Send Abort command via WR0. This command, when issued, will send eight consecutive ‘1’s. After this pattern is transmitted, the transmitter will idle as programmed via bit D3 of WR10. Since up to five consecutive ‘1’s may have been sent prior to the command being issued, a Send Abort may cause a sequence of from eight to thirteen ‘1’s to be transmitted. The Send Abort command also empties the transmit buffer register and sets the Tx Underrun/EOM bit in RR0.

4.8.5 Auto Transmit CRC Generator Preset

The NMOS SCC does not automatically preset the CRC generator prior to frame transmission. This must be done in software, usually during the initialization routine. This is accomplished by issuing the Reset Tx CRC Generator Command via WR0. For proper results, this command must be issued while the transmitter is enabled and idling and before any data are written to the Transmit Buffer.

In addition, if CRC is to be used, the transmit CRC generator must be enabled by setting bit D0 of WR5 to ‘1’. CRC is normally calculated on all characters between opening and closing flags, so this bit should be set to ‘1’ at initialization and never changed. Note that a Channel Reset will not initialize the CRC generator so a Reset Tx CRC Generator command must be issued some time after a Channel Reset is executed.

On the CMOS SCC, setting bit D0 of WR15 ‘1’ will cause the transmit CRC generator to be preset automatically every time an opening flag is sent, so the Reset Tx CRC Generator command is not necessary.

4.8.6 CRC Transmission

The transmission of the CRC check characters is controlled by the Transmit CRC Enable bit in WR5 (D0) and the Tx Underrun/EOM bit in RR0 (D6). However, if the Transmit CRC Enable bit is set to ‘0’ when a transmit underrun (i.e., both the Transmit Buffer and Transmit Shift Register go empty) occurs, the CRC check characters will not be sent regardless of the state of the Tx Underrun/EOM bit.

If the Transmit CRC Enable bit is set to ‘1’ when an underrun occurs, then the state of the Tx Underrun/EOM bit and the Abort/Flag on Underrun bit in WR10 (D2) determine the action taken by the transmitter. The Abort/Flag on Underrun bit may be set or reset by the processor, whereas, the Tx Underrun/EOM bit is set by the transmitter and can be reset only by the processor via the Reset Tx Underrun/EOM command in WR0.

If the Tx Underrun/EOM bit is set to ‘1’ when an underrun occurs, the transmitter will close the frame by sending a flag; however, if this bit is set to ‘0’, the frame data will be appended with either the accumulated CRC characters followed by a flag or an abort pattern followed by a flag, depending on the state of the Abort/Flag on Underrun bit in the WR10 (D2). In either case, after the closing flag is sent, the Transmitter will idle the transmission line as specified by the Mark/Flag Idle bit D3 in WR10.

The Tx Underrun/EOM status bit in RR0 will be set to '1' by the SCC to indicate that an underrun has occurred, and that either the CRC, or abort character, has been loaded into the Transmit Shift Register for transmission. The Low-to-High transition of this bit may be programmed to generate an External/Status interrupt or, if interrupts are disabled, may be polled in RR0.

Hence, if the CRC check characters are to be properly appended to a frame, the Abort/Flag on Underrun bit must be set to '0', and the Reset Tx Underrun/EOM Command must be issued after the first but before the last character is written to the Transmit Buffer. This will ensure that either an abort or the CRC will be transmitted if an underrun occurs. Normally, the Abort/Flag on Underrun bit in WR10 should be set to '1' around the same time that the Tx Underrun/EOM bit is reset so that an abort will be sent if the transmitter accidentally underruns, and then set to '0' near the end of the frame to allow the correct transmission of CRC.

Note that the Reset Tx Underrun/EOM command will not reset the status bit latch if the transmitter is disabled. However, if no External/Status interrupts are pending, or if a Reset External/Status Interrupt command accompanies this command while the transmitter is disabled, an External/Status interrupt will be generated with the Tx Underrun/EOM bit reset in RR0.

4.8.7 Auto Tx Underrun/EOM Latch Reset

On the CMOS SCC, if bit D0 of WR15 is set to '1', the option of having the Tx Underrun/EOM bit be reset automatically at the start of every frame is provided via bit D1 of WR7'. This helps alleviate the software burden of having to respond within one character time when high speed data are being sent.

4.8.8 Transmitter Disabling

The transmitter is enabled/disabled via bit D3 of WR5. Data transmission from the SCC does not begin until this bit is set to '1'. Disabling the transmitter can be done at any time, but if disabled during transmission of a character, that character will be "completely sent." This applies to both data and flags. However, if the transmitter is disabled during the transmission of CRC, the 16-bit transmission will not be completed and the remaining bits will be from WR7 (flag character).

In the paragraph above, the term "completely sent" means shifted out the Transmit Shift Register, not shifted out the zero-bit Inserter which adds an additional 5-bit delay.

On the NMOS SCC, if NRZI encoding is being used and the Transmitter is disabled the state of the TxD pin will depend on the last bit sent. That is, the TxD pin may either idle in a Low or High state as shown below in Figure 4–19. Although, in full-duplex applications this may not be a problem, in half-duplex applications the TxD pin must be pulled high in order to allow proper reception of data.

4.8.9 NRZI Mode Transmitter Disabling

On the CMOS SCC, an option is provided that allows setting the TxD pin High when operating in SDLC Mode with NRZI encoding enabled. If bit D0 of WR15 is set to '1', then bit D3 of WR7' can be used to set the TxD pin High. Note that the operation of this bit is independent of the Tx Enable bit in WR5. The Tx Enable bit in WR5 is used to disable and enable the transmitter, whereas bit D3 of WR7' acts as a pseudo transmitter disable and enable by just forcing the TxD pin High when set even though the transmitter may actually be mark or flag idling. Care must be used when setting this bit because any character being transmitted at the time this bit is set will be "chopped off," and data written to the transmit buffer while this bit is set will be lost.

When the transmit underrun occurs and the CRC and closing flag have been sent, bit D3 can be set to pull TxD High. When ready to start sending data again this bit must be reset to '0' before the first character is written to the transmit buffer. Note that resetting this bit causes the TxD pin to take whatever state the NRZI encoder is in at the time so synchro-

nization at the receiver may take longer because the first transition seen on the TxD pin may not coincide with a bit boundary.

Note that in order for this to function properly, bits D3 and D2 of WR10 must be set to '1' and '0' respectively.

4.9 SDLC LOOP MODE

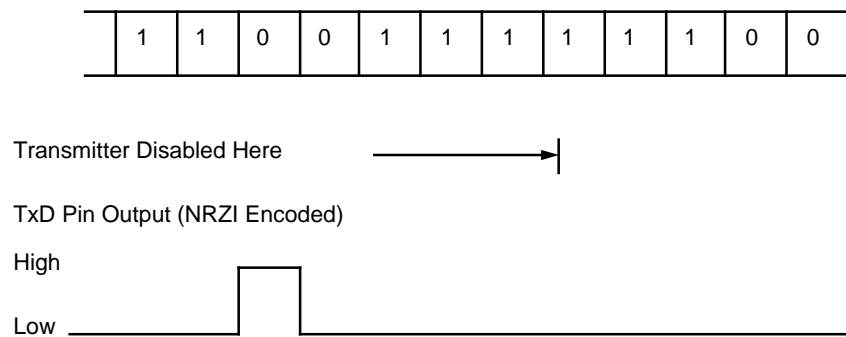
The SCC supports SDLC Loop mode in addition to normal SDLC. SDLC Loop mode is very similar to normal SDLC. It is usually used in applications where a point-to-point network is not appropriate (for example, point-of-sale terminals).

In an SDLC Loop there is a primary station, called the controller, that manages the message traffic flow on the loop. SDLC Loop is a special type of configuration in which one or more stations are connected in a serial fashion; each station is a repeater of the up-loop data to the next down-loop station.

SDLC loop operation requires the transmission link operate in a half-duplex, one direction only, mode. Data transmitted on the loop by the primary station are relayed from station to station.

4.9.1 Going On Loop

There are certain restrictions as to when and how a secondary station physically becomes part of the loop. A secondary station that has just powered up must monitor the loop, without the one-bit-time delay, until it recognizes an EOP. While waiting for an EOP, the SCC ties TxD to RxD with only the internal gate delays in the signal path. When the first EOP is recognized by the SCC, the BREAK/ABORT status bit is set in RR0, generating an External/Status interrupt (if so enabled). At the same time, the On-Loop bit in RR10 (D4) is set to indicate that the SCC is indeed on-loop, and a one-bit time delay is inserted in the TxD to the RxD patch. This does not disturb the loop because the line is marking idle between the time that the controller sends the EOP and the time that it receives the EOP back. The secondary station that has gone on-loop cannot transmit a message until a flag and the next EOP are received. The requirement that a flag be received ensures that the SCC cannot erroneously send messages until the controller ends the current polling sequence and starts another one. A secondary station goes off-loop in a similar manner.



10216A-019A

Figure 4–19. Transmitter Disabling with NRZI Encoding

A secondary station in an SDLC Loop is always listening to the messages being sent around the loop and must pass these messages to the rest of the loop by re-transmitting them with a one-bit-time delay. When given a command to go off-loop, the secondary station waits until the next EOP to remove the one-bit-time delay.

4.9.1.1 On-Loop Program Sequence

SDLC Loop mode is similar to SDLC mode except that two additional control bits are used. They are the Loop mode bit (D1) and the Go Active on Poll bit (D4) in WR10. In addition to these two extra control bits, there are also two status bits in RR10. They are the On Loop bit (D1) and the Loop Sending bit (D4). Before Loop mode is selected, both the receiver and transmitter must be completely initialized for SDLC operation. Once this is done, Loop mode is selected by setting bit D1 of WR10 to '1'. At this point the SCC connects TxD to RxD with only gate delays in the path. At the same time a flag is loaded into the Transmit Shift register and is shifted to the end of the zero-bit inserter, ready for transmission. The SCC will remain in this state until the Go Active On Poll bit (D4) in WR10 is set to '1'. When this bit is set to '1', the receiver begins looking for a sequence of seven consecutive '1's, indicating either an EOP or an idle line. When the receiver detects this condition, the BREAK/ABORT status bit in RR0 is set to '1' and a one-bit time delay is inserted in the path from RxD to TxD. The On Loop bit in RR10 is also set to '1' at this time, and the receiver enters Hunt Mode. The SCC cannot transmit on the loop until a flag is received, causing the receiver to leave Hunt mode, and another EOP (bit pattern '11111110') is received. The SCC is now on the loop and capable of transmitting on the loop. As soon as this status is recognized by the processor, the Go Active On Poll bit in WR10 should be set to '1' to prevent the SCC from transmitting on the loop without the consent of the processor.

4.9.1.2 On-Loop Message Transmission

When a secondary station has a message to transmit and it recognizes an EOP on the line, the first thing that it does is to change the last '1' of the EOP pattern to a '0' before transmitting it. This turns the EOP into a Flag sequence. The secondary station now places its message on the loop and terminates its message with an EOP. Any secondary stations further down the loop with messages to transmit can then append its message to the message of the first secondary station by the same process. All secondary stations without messages to send merely echo the incoming messages and are prohibited from placing messages on the loop, except upon recognizing an EOP.

4.9.1.3 On-Loop Transmit Message Programming Sequence

To transmit a message on the loop, the Go Active On Poll bit WR10 must be set to '1'. Once this is done, the SCC will change the next received EOP into a Flag and begin transmitting on the loop. At this point the processor may either write the first character to the transmit buffer and wait for a transmit buffer empty condition or wait for the Break/Abort and Hunt Status bits to be set to '1' in RR0 and the Loop Sending bit to be set to '1' in RR10 before writing the first data to the transmitter. Note that the Break/Abort and Hunt bits in RR0 will be set to '1' when the EOP is received. If the data is written immediately after the Go Active On Poll bit has been set, the SCC will insert only one flag after the EOP is changed into a flag. If the data is not written until after the receiver enters the Hunt mode, flags will be transmitted until the data is written. If only one frame is to be transmitted on the loop in response to an EOP, the processor must set the Go Active on Poll bit to '0' before the last data is written to the transmitter. In this case the transmitter will close the frame with a single flag and then revert to the one-bit delay. The Loop Sending bit in RR10 is set to '0' when the closing Flag has been sent. If more than one frame is to be transmitted, the Go Active On Poll bit should not be set to '0' until the last frame is being sent. If this bit is not set to '0' before the end of a frame, the transmitter will send Flags until either more data is written to the transmitter, or until the Go Active On Poll bit is set to '0'. Note that the state of the Abort/Flag on Underrun and Mark/Flag idle bits in WR10 are ignored by the SCC in SDLC Loop mode.

4.9.2 Going Off Loop

If SDLC Loop Mode is de-selected, the SCC is designed to exit from the loop gracefully. When SDLC Loop mode is de-selected by writing to WR10, the SCC waits until the next polling cycle to remove the on-bit time delay. If a polling cycle is in progress at the time the command is written, the SCC finishes sending any message that it Figure 4-19. Transmitter Disabling with NRZI Encoding may be transmitting, ends with an EOP, and disconnects TxD from RxD. If no message was in progress, the SCC immediately discon-

nects TxD from RxD. To ensure proper loop operation after the SCC goes off the loop, and until the external relays take the SCC completely out of the loop, the SCC should be programmed for mark idle instead of Flag idle. When the SCC goes off the loop, the On-Loop bit is reset.

4.9.2.1 Off Loop Programming Sequence

To go off the loop in an orderly manner requires actions similar to those taken to go on the loop. First, the Go Active On Poll bit must be set to '0' and any transmission in progress completed, if the SCC is currently sending on the loop. This will be indicated by the Loop Sending bit in RR10 being set to '0'. Once the SCC is not sending on the loop, exit from the loop is accomplished by setting the Loop Mode bit in WR10 to '0', and at the same time writing the Abort/Flag on Underrun and Mark/Flag idle bits with the desired values. The SCC will revert to normal SDLC operation as soon as an EOP is received, or immediately, if the receiver is already in Hunt mode because of the receipt of an EOP. Note that the Break/Abort and Hunt bits in RR0 will be set to '1' and the On Loop bit in RR10 will be set to '0' when EOP is detected.

If SDLC loop mode is enabled by the Go Active on Poll bit (D4) in WR10 and the station receives an EOP, the receiver will enter Hunt Mode. When the receiver is in Hunt Mode it is not possible to take the station off the loop unless data has been transmitted; i.e., a flag has been detected.

4.9.3 SDLC Loop Initialization

The initialization sequence for the SCC in SDLC Loop mode is similar to the sequence used in SDLC mode, except that it is somewhat longer. The processor should program WR4 first, to select SDLC mode, and the WR10 to select the CRC preset value, and program the Mark/Flag Idle bit. The Loop Mode and Go Active On Poll bits in WR10 should not be set to '1' yet. The flag is written in WR7 and the various options are selected in WR3 and WR5. At this point the other registers should be initialized as necessary, then the Loop Mode bit (D1) in WR10 should be set to '1'. When all of this is complete, the transmitter may be enabled by setting bit D3 of WR5 to '1'. Now that the transmitter is enabled, the CRC generator may be initialized by issuing the Reset Tx CRC Generator command in WR0. The receiver is enabled by setting the Go Active on Poll bit (D4) in WR10 to '1'.

4.9.4 SDLC Loop NRZI Encoding Enabled

The SCC allows the user the option of using NRZI in SDLC Loop mode by programming WR10 appropriately. With NRZI encoding, the outputs of secondary stations in the loop may be inverted from their inputs because of messages that they have transmitted. Removing the stations from the loop (removing the one-bit time delay) may cause problems further down the loop because of extraneous transitions on the line. The SCC avoids this problem by making transparent adjustments at the end of each frame it sends in response to an EOP.

A response frame from the SCC is terminated by a flag and an EOP. Normally, the flag and the EOP share a zero, but if such sharing would cause the RxD and TxD pins to be of opposite polarity after the EOP, the SCC adds another zero between the flag and the EOP. This causes an extra line transition so that RxD and TxD are identical after the EOP is sent. This extra zero is completely transparent because it means only that the flag and the EOP no longer share a zero. All that a proper loop exit needs, therefore, is the removal of the one-bit time delay.

4.10 SYNCHRONOUS MODE OPERATION

4.10.1 Receiver Operation

Receiver operation in Synchronous modes begin in a Hunt mode where the communications line is monitored for a synchronizing pattern on a bit-by-bit basis. The receiver may be placed in Hunt mode by having the processor issue the Enter Hunt Mode command

via bit D4 in WR3. The Enter Hunt Mode bit in WR3 is a command so writing a '0' to it has no effect.

In Synchronous modes, once character synchronization has been established, Hunt mode is terminated and must remain so until the end of message has been received. At this point, the Enter Hunt Mode command can be re-issued for the next message. Issuing this command prematurely can lead to false character synchronization. Thus, the SYNC/HUNT status bit in RR0 will be set only when the Enter Hunt Mode command is issued.

The Hunt status of the Receiver is reported in the SYNC/HUNT status bit in RR0 (D4). This status bit is one of the possible sources of External/Status interrupts, with both transitions causing an interrupt. This is true even if the SYNC/HUNT bit is set as a result of the processor issuing the Enter Hunt Mode command.

While in Hunt mode, the receiver path used in establishing character synchronization will depend on the mode selected. In either case, however, synchronization will be established at the beginning of each transmission either through a two character (BISYNC) or a single character (MONOSYNC) synchronizing pattern. When character synchronization is established Hunt mode is terminated and the receiver stops scanning the communication line for the synchronizing pattern. At this point data passes to the Receive Shift Register and characters are formed by assembling the proper number of consecutive bits following the synchronizing pattern before being transferred into the Receive Data FIFO.

4.10.1.1 SYNC Detect Output

In Synchronous modes, except External SYNC mode, if bit D7 of WR11 is set to '0', the SYNC pin will be configured as an output and the SCC will drive it Low every time a sync character is detected in the data stream. Note, however, that the SYNC pin is activated regardless of character boundaries so any external circuitry using it in Synchronous modes should respond only to the SYNC pulse that occurs while the receiver is in Hunt mode. The timing for the SYNC signal is shown in Figure 4–20.

4.10.1.1.1 MONOSYNC Mode

The message format for MONOSYNC is shown in Figure 4–21. In this mode, the incoming data are clocked into the Receive Sync Register and compared with the contents of WR7 on a bit-by-bit basis until a sync character is found. When a sync character is found, character synchronization is established and data passes to the Receive Shift Register.

In this mode, WR6 is always used to open a message being transmitted, and as time fill when the transmitter has nothing to send.

4.10.1.1.2 BISYNC Mode

The BISYNC message format is shown in Figure 4–22. In this mode, the synchronization procedure is similar to that of MONOSYNC except that two sync characters are used for character synchronization instead of one. In this mode, incoming data are shifted into the Receive Shift Register while the next eight bits are assembled in the Receive Sync Register. If these two characters match the programmed characters in WR6 and WR7, respectively, synchronization is established and the incoming data bypasses the Receive Sync Register and enters the 3-bit delay directly.

In this mode, the concatenation of WR6 with WR7 is always used during transmit and receive operations.

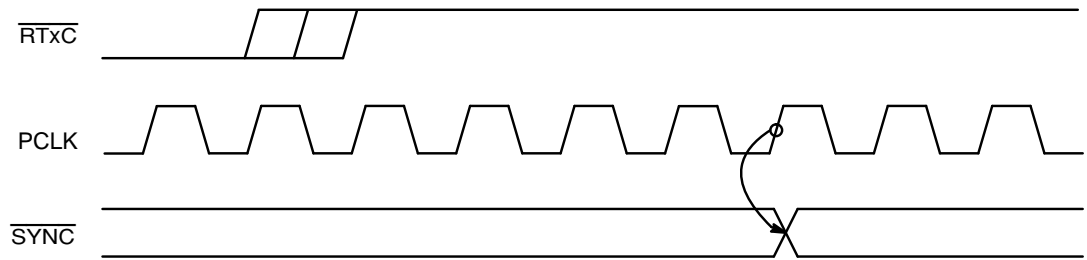


Figure 4–20. SYNC as an Output



Figure 4–21. MONOSYNC Message Format

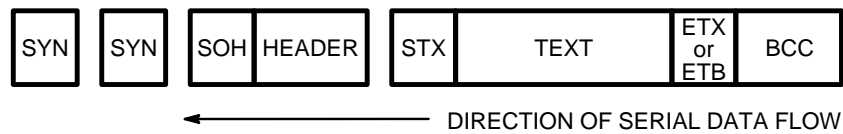


Figure 4–22. BISYNC Message Format

4.10.1.2 SYNC Character Length

In Synchronous modes, the sync character length that is used during transmit and receive operations is programmable via bit D0 of WR10.

If this bit is set to ‘0’ in MONOSYNC mode an 8-bit sync character will be used during transmit and receive operations; however, if set to ‘1’ the 6-bit sync character option will be selected, and only the least significant six bits of WR6 will be used during transmission, and the six high-order bits in WR7 will be used during receive.

In BISYNC mode, this bit selects between a 12- or 16-bit sync character length; however, because the receiver requires that sync characters be left-justified in the registers, while the transmitter requires them to be right-justified, only the receiver will work properly with a 12-bit sync character. So if bit D0 of WR10 is set to ‘1’, the receiver will be configured to recognize a 12-bit sync character, but the transmitter will remain configured for a 16-bit sync character. The arrangement of the sync character in WR6 and WR7 is shown in Figure 4–23.

4.10.1.3 Receiver Initialization

The initialization sequence for the receiver in Synchronous modes is to write to WR4 first, to select the mode, then WR10 to modify it if necessary, WR6 and WR7 to program the sync characters and then WR3 and WR5 to select the various options. At this point the other registers should be initialized as necessary. When all of this is complete the receiver is enabled by setting bit D0 of WR3 to ‘1’.

4.10.1.4 SYNC Character Removal

In Synchronous modes, a sync character that is not part of the data is transmitted before data to establish character synchronization at the receiver. Once data transmission begins all characters are sent continuously and in phase with each other. Since this synchronizing information is only present at the beginning of a message it may happen that during message transmission the combination of data characters may not provide suffi-

cient transitions to allow self-clocking devices to remain in sync. Under these conditions the equipment in use today will send sync characters in order to maintain character phase.

In this case the receiver may want to recognize these characters and delete them from the receive data. This function is available in the SCC by setting the Sync Character Load Inhibit bit (D1) in WR3 to '1'. While this bit is set to '1', the character about to be loaded into the receive Data FIFO will be compared with the contents of WR6. If all eight bits match the character, it is not loaded into the FIFO. Because the comparison is across eight bits, this function works correctly only when the number of bits per character is the same as the sync character length. Thus it cannot be used with 12- or 16-bit sync characters.

Both leading sync characters and sync characters embedded in the data will be properly removed in the case of an 8-bit sync character, but only the leading sync characters may be properly removed in the case of a 6-bit sync character. Care must be exercised in using this feature because sync characters not transferred to the receive Data FIFO will automatically be excluded from CRC calculation. This works properly only in the 8-bit case.

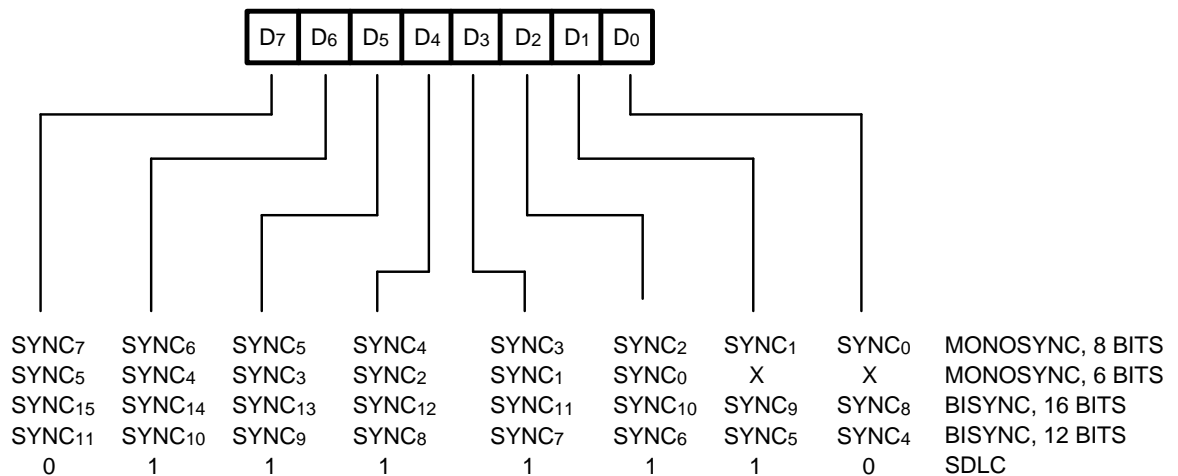
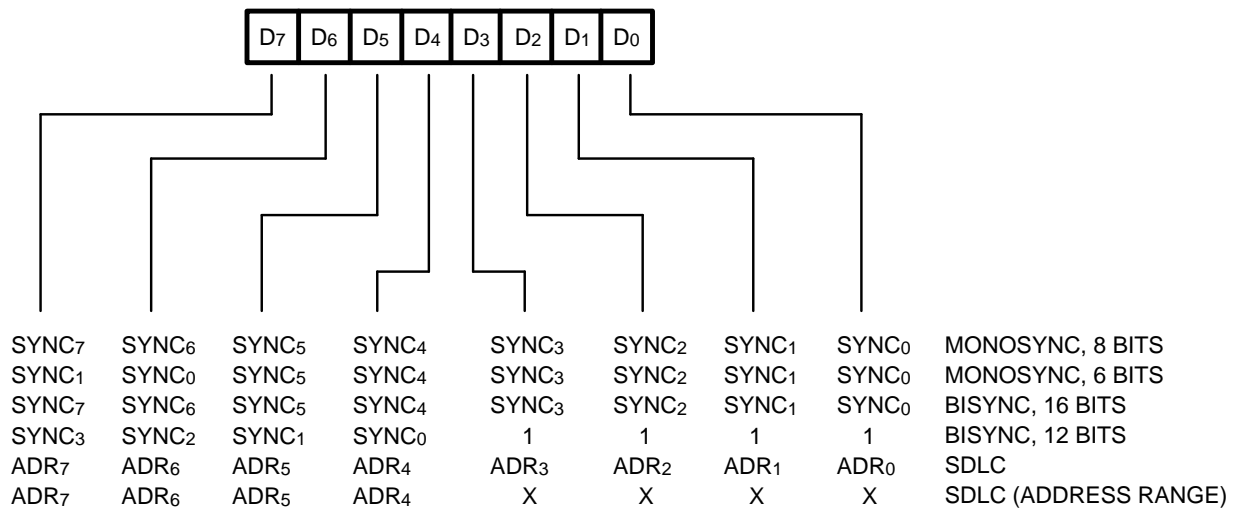


Figure 4-23. SYNC Character Programming

4.10.1.5 CRC Polynomial Selection

Either of two CRC polynomials may be used in Synchronous modes. The polynomial that will be used by both the transmitter and receiver is selected by bit D2 in WR5. If this bit is set to '1', the CRC-16 polynomial ($X^{16}+X^{15}+X^2+1$) will be used; if this bit is set to '0', the CRC-CCITT polynomial ($X^{16}+X^{12}+X^5+1$) will be used.

4.10.1.5.1 Rx CRC Initialization

The initial state of both transmit and receive CRC generators is controlled by bit D7 of WR10. When this bit is set to '1', both transmit and receive CRC generators will be preset to an initial value of all '1's; if this bit is set to '0', they will be preset to an initial value of all '0's.

The SCC presets the receive CRC generator whenever the receiver is in Hunt Mode so a CRC reset command is not strictly necessary. However, it may be preset by issuing the Reset CRC Checker command in WR0. The Reset CRC Checker command is necessary in Synchronous modes if the Enter Hunt Mode command in WR3 is not issued between received messages. Note that any action that disables the receiver in Synchronous modes (including External Sync mode) initializes the CRC circuitry.

4.10.1.5.2 Rx CRC Enabling

If CRC is to be used on receive data the receive CRC generator must be enabled by setting bit D0 of WR3 to '1'. If sync characters are being stripped (i.e., WR3 bit D1 set to '1') from the data stream, enabling the CRC may be done at any time before the first non-sync character is received. If the sync strip feature is not being used, the CRC generator must not be enabled until after the first data character has been transferred to the Receive Data FIFO. As previously mentioned, 8-bit sync characters stripped from the data stream are automatically excluded from CRC calculation. The receive CRC generator may be enabled and disabled as many times for a given calculation.

4.10.1.5.3 Rx CRC Character Exclusion

Being able to exclude characters from CRC calculation is possible in the SCC because CRC calculation may be enabled and disabled on the fly. To give the processor sufficient time to decide whether or not a particular character should be included in the CRC calculation, the SCC contains an 8-bit time delay between the Receive Shift Register and the receive CRC generator. The logic also guarantees that the calculation will start or stop only on a character boundary by delaying the enable or disable until the next character is loaded into the Receive Data FIFO. To understand how this works refer to the following explanation and Figure 4–24.

Consider a case where the SCC receives a sequence of eight bytes, called A, B, C, D, E, F, G and H with A received first. Now suppose that A is the sync character, that CRC is to be calculated on B, C, E, and F, and that F is the last byte of this message. Before A is received the receiver is in Hunt mode and the CRC is disabled. When A is in the receive shift register it is compared with the contents of WR7. Since A is the sync character, the bit patterns match and receiver leaves Hunt mode, but character A is not transferred to the receive data FIFO. The CRC remains disabled even though somewhere during the next eight bit times the processor reads B and enables CRC. At the end of the eight-bit-time, B is in the 8-bit delay and C is in the receive shift register. Character C is loaded into the receive data FIFO and at the same time the CRC checker is enabled. During the next eight-bit-time, the processor reads C and leaves the CRC enabled. At the end of these eight-bit-times the SCC has calculated CRC on B, character C is the 8-bit delay and D is in the Receive Shift register. D is then loaded into the receive data buffer and at some point during the next eight-bit-time the processor reads D and disables CRC. At the end of these eight-bit-times CRC has been calculated on C, character D is in the 8-bit delay and E is in the Receive Shift register.

Now E is loaded into the receive Data FIFO and, at the same time, the CRC is disabled. During the next eight-bit-times the processor reads E and enables the CRC. During this time E shifts into the 8-bit delay, F enters the Receive Shift register and CRC is not being calculated on D. After these eight-bit-times have elapsed, E is in the 8-bit delay, and F is

in the Receive Shift register. Now F is transferred to the receive data FIFO and CRC is enabled. During the next eight-bit-times the processor reads F and leaves the CRC enabled. The processor is usually aware that this is the last character in the message and so prepares to check the result of the CRC computation. However, another sixteen bit-times are required before CRC has been calculated on all of character F. At the end of eight-bit-times F is in the 8-bit delay and G is in the Receive Shift register. At this time G is transferred to the Figure 4–23. SYNC Character Programming Figure 4–24. Receive CRC Data Path for Synchronous Modes receive data FIFO. Character G must be read and discarded by the processor. Eight bit times later H is transferred to the receive data FIFO also. The result of a CRC calculation is latched in the receive error FIFO at the same time as data is written to the receive data FIFO. Thus the CRC result through character F accompanies character H in the FIFO and will be valid in RR1 until character H is read from the receive data FIFO. The CRC checker may be disabled and reset at any time after character H is transferred to the receive data FIFO. Recall, however, that internally CRC will not be disabled until a character is loaded into the receive data FIFO so the reset command should not be issued until after this occurs. A better alternative is to place the receiver in Hunt mode, which automatically disables and resets the CRC checker.

4.10.1.5.4 CRC Error

Because there is an eight bit delay between the Receive Shift Register and receive CRC generator in Synchronous Modes, the CRC Error status bit in RR1 will not be valid until 16 bit times after the last CRC character has been loaded from the Receive Shift Register to the Receive Data FIFO.

4.10.2 Transmitter Operation

In Synchronous modes, the sync character in WR6 or the sync characters in WR6 and WR7 are used to open a message transmission. Depending on the mode the transmitter is in either one or two sync characters will be loaded into the Transmit Shift Register at the beginning of a message. All data are shifted simultaneously out the transmit multiplexer and into the transmit CRC Generator. The result of the transmit CRC generator is sent out the transmit multiplex when enabled.

4.10.2.1 Transmitter Initialization

The initialization sequence for the transmitter in Synchronous modes is: WR4 First, to select the mode, then WR10 to modify it if necessary, WR6 and WR7 to program the sync characters, and then WR3 and WR5 to select the various options. At this point, the other registers should be initialized as necessary. Once all of this is complete the transmitter mark idles (i.e., TxD pin High) until the transmitter is enabled via bit D5 in WR5.

When the transmitter is enabled, it starts sending sync characters and continues to send sync characters until a character is written to the Transmit Buffer (WR8). During this sync idle time the CRC generator may be initialized by issuing the Reset Tx CRC Generator command in WR0. When a character is written into WR8 and the current sync character has been sent, the transmitter starts transmitting data. It will then set the Transmit Buffer Empty bit each time the contents of WR8 are transferred into the Transmit Shift Register to indicate that another character can be loaded into WR8.

4.10.2.2 CRC Polynomial Selection

Either of two CRC polynomials may be used for error detection purposes. The selection for both the transmitter and receive is done via bit D2 of WR5. Setting this bit to '1' selects the CRC-16 polynomial, while setting it to '0' selects the CRC-CCITT polynomial.

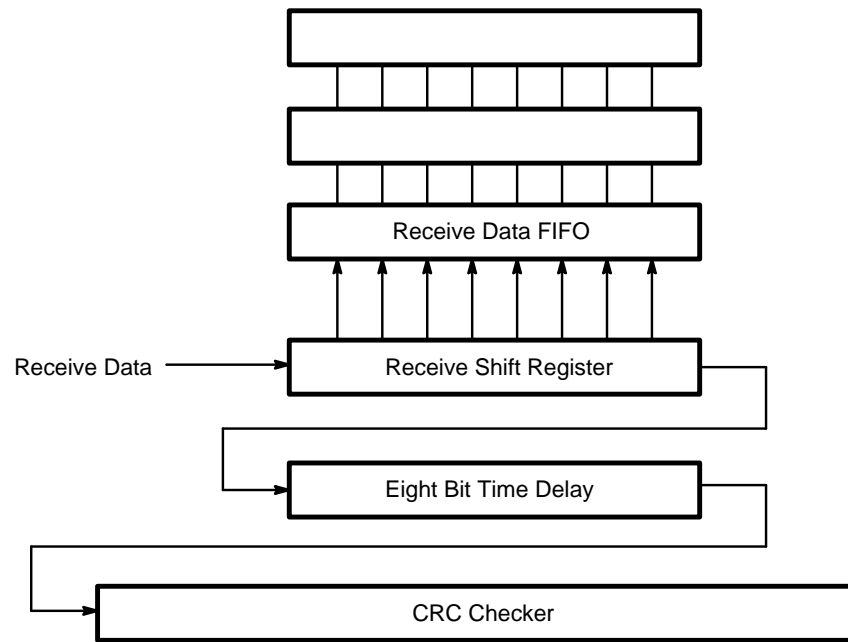


Figure 4–24. Receive CRC Data Path for Synchronous Mode

4.10.2.2.1 Tx CRC Initialization

The initial state of the transmit and receive CRC generators is controlled by bit D7 of WR10. When this bit is set to '1', both generators will be preset to an initial value of all '1's, if this bit is set to '0', both generators will be reset to '0's. The SCC does not automatically preset the transmit CRC generator, so this must be done in software. This is accomplished by issuing the Reset Tx CRC Generator command, which is encoded in bits D7 and D6 of WR0. For proper results this command must be issued while the transmitter is enabled and sending sync characters.

4.10.2.2.2 Tx CRC Enabling

If CRC is to be used, the transmit CRC generator must be enabled by setting bit D0 of WR5 to '1'. This bit may also be used to exclude certain characters from the CRC calculation in Synchronous modes.

4.10.2.2.3 CRC Transmission

As in SDLC mode, the transmission of the CRC check characters in Synchronous modes is controlled by the Transmit CRC Enable bit in WR5 (D0) and Tx Underrun/EOM bit in RR0 (D6). If the Transmit Enable bit is set to '0' when a transmit underrun occurs, the CRC check characters will not be sent regardless of the state of the Tx Underrun/EOM bit. If the Transmit Enable bit is set to '1' when a transmit underrun occurs then the state of the Tx Underrun/EOM bit determines the action taken by the transmitter. The Tx Underrun/EOM bit is set by the transmitter and only reset by the processor via the Reset Tx Underrun/EOM command in WR0.

If the Tx Underrun/EOM bit is set to '1' when an underrun occurs, the transmitter will close the message just sent by sending sync characters; however, if this bit is set to '0', the transmitter will close the message by sending the accumulated CRC followed by sync characters. The transmitter will idle the transmission line by sending sync characters until either more data are written to the Transmit Buffer or the transmitter is disabled.

The Tx Underrun/EOM status bit in RR0 will be set to '1' to indicate that an underrun has occurred, and that the CRC, or sync characters, have been loaded into the Transmit Shift Register for transmission. The Low-to-High transition of this bit may be programmed to generate an External/Status interrupt or, if interrupts are disabled, may be polled in RR0.

Hence, if the CRC check characters are to be properly appended to the end of a message, the Reset Tx Underrun/EOM Command must be issued after the first, but before the last, character is written to the Transmit Buffer.

Note that the Reset Tx Underrun/EOM command will not reset the status bit latch if the Transmitter is disabled. However, if no External/Status interrupts are pending, or if a Reset External/Status Interrupt command accompanies this command while the transmitter is disabled, an External/Status interrupt will be generated with the Tx Underrun/EOM bit reset in RR0.

4.10.2.2.4 Tx CRC Character Exclusion

On the SCC, leading sync characters are automatically excluded from CRC calculation, but it will be calculated on any sync characters sent as data unless the transmit CRC generator is disabled via bit D0 of WR5 when that character is loaded in the Transmit Shift Register from the Transmit Buffer.

Internally, the CRC is enabled or disabled for a particular character at the same time as the character is loaded from the Transmit Buffer to the Transmit Shift Register. Thus, to exclude a character from CRC calculation, bit D0 of WR5 should be set to '0' before the character is written to the transmit buffer. This guarantees that the internal disable will occur when the character moves from the buffer to the shift register. Once the buffer becomes empty, the Tx CRC Enable bit may be set for the next character.

4.10.2.3 Transparent Transmission

The SCC can be used in applications where data are sent without enveloping them in any specific protocol or Parity. This can be done by programming WR4 for the channel in External SYNC mode as shown below.

In this mode of operation, the transmitter will be configured for MONOSYNC operation and the SYNC pin will be used to signal when to start reception of data. The transmitter is initialized as before except that the first character to be sent must be written to WR6 before enabling the transmitter. Once the transmitter is enabled and transmission of the character in WR6 has started, the Transmit Buffer can be written to with the next character. From that point on, data from the Transmit Buffer will continue to be sent until the transmitter is disabled. To prevent any unwanted data in WR6 from being sent when a transmitter underrun occurs, the transmitter must be disabled during the transmission of the last character. The same procedure is followed if another data block is to be sent.

0	0	1	1	0	0	X	0
---	---	---	---	---	---	---	---

WR4—Register Layout

Data reception in this mode of operation requires that the SYNC pin be used to signal when character accumulation should commence at the receiver. As long as SYNC remains Low data will continue to be received and transferred.

4.10.2.4 Transmitter to Receiver Synchronization

The SCC contains a transmitter-to-receiver synchronization function that may be used to guarantee that the character boundaries for the received and transmitted data are the same. In this mode the receiver is in Hunt and the transmitter is idle, sending either all '1's or all '0's. When the receiver recognizes a sync character, it leaves Hunt mode and one character time later the transmitter is enabled and begins sending sync characters.

Beyond this point the receiver and transmitter are again completely independent, except that the character boundaries are now aligned. This is shown in Figure 4–25.

There are several restrictions on the use of this feature. First, it will work only with 6-bit, 8-bit or 16-bit sync characters, and the data character length for both the receiver and the transmitter must be six bits with a 6-bit sync character or eight bits with an 8-bit or 16-bit sync character. Of course, the receive and transmit clocks must have the same rate as well as the proper phase relationship.

A specific sequence of operations must be followed to synchronize the transmitter to the receiver. Both the receiver and transmitter must have been initialized for operation in Synchronous mode sometime in the past, although this initialization need not be redone each time the transmitter is synchronized to receiver. The transmitter is disabled by setting bit D3 of WR5 to '0'. At this point the transmitter will send continuous '1's. If it is desired that continuous '0's be transmitted, the Send Break bit (D4) in WR5 should be set to '1'. The transmitter is now idling but must still be placed in the Transmitter to Receiver Synchronization mode. This is accomplished by setting the Loop Mode bit (D1) in WR10 and then enabling the transmitter by setting bit D3 of WR5 to '1'. At this point the processor should set the Go Active On Poll bit (D4) in WR10. The final step is to force the receiver to search for sync characters. If the receiver is currently disabled the receiver will enter Hunt mode when it is enabled by setting bit D0 of WR3 to '1'. If the receiver is already enabled it may be placed in Hunt mode by setting bit D4 of WR3 to '1'. Once the receiver leaves hunt mode the transmitter is activated on the following character boundary.

4.10.2.4.1 Transmitter Disabling

In Synchronous modes, if the transmitter is disabled during transmission of a character, that character will be completely sent before mark idling the line. This applies to both data and sync characters. However, if the transmitter is disabled during the transmission of CRC, CRC transmission will be terminated and the remaining bits will be from WR6 and/or WR7 (sync registers) before mark idling the line.

4.10.2.5 External SYNC Mode

For those applications that may want to use external logic for receiver synchronization, the SCC makes provisions for an external circuit to signal character synchronization on the SYNC pin. This mode expects the SYNC pin to be available for use; this means that bit D7 of WR11 should be set to '0'. The External SYNC message format is shown in Figure 4–26.

In this mode, the SYNC/HUNT status bit in RR0 reports the state of the $\overline{\text{SYNC}}$ pin but the receiver must be placed in Hunt mode when the external logic is searching for a sync character match. When the receiver is in Hunt mode and the $\overline{\text{SYNC}}$ pin is driven Low, two receive clocks after the last bit of the sync character is received, character assembly will begin on the rising edge of the receive clock immediately following the activation of SYNC. This is shown in Figure 4–27. Both transitions on the SYNC pin will cause an External/Status interrupt if the SYNC/HUNT IE bit is set to '1'.

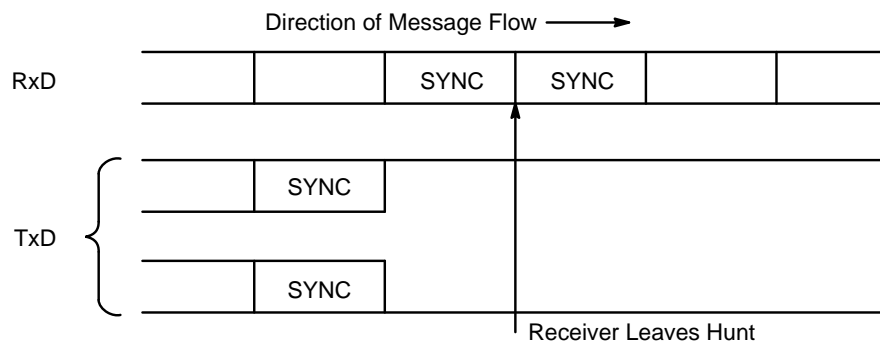


Figure 4–25. Transmitter to Receiver Synchronization

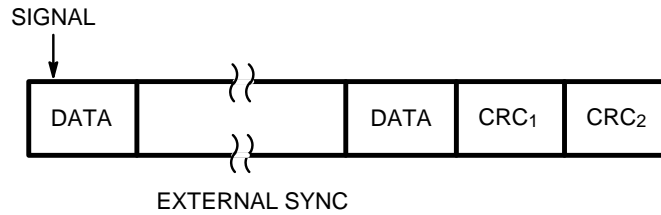


Figure 4–26. External SYNC Message Format

The $\overline{\text{SYNC}}$ input falling edge (synchronized through some internal circuitry) essentially removes the Receiver from “Hunt Mode” in which it is waiting for synchronization before accepting Receive Data. Upon exiting “Hunt Mode”, the Receiver will begin accepting all incoming Receive Data. To cause the Am85C30 to discontinue accepting data (i.e. notify the Am85C30 that there is an end of frame), the “Enter Hunt Mode” command must be issued. The SYNC line should remain low for at least the TwSY (SYNC* Pulse Width) specification value, and may be kept low for a longer duration of time if desired.

4.10.2.5.1 SDLC External SYNC Mode

By programming WR4 as shown below both the receiver and transmitter will be placed in SDLC mode. The only variation from normal SDLC operation will be that the $\overline{\text{SYNC}}$ pin will be used to start or stop the reception of a frame by forcing the receiver to act as though a flag had been received.

D7	D6	D5	D4	D3	D2	D1	D0
1	1	1	1	0	0	?	?

WR4—Register Layout

4.10.2.5.2 Synchronous External SYNC Mode

By programming WR4 as shown below the transmitter will be configured for MONOSYNC operation and the $\overline{\text{SYNC}}$ pin will be used to start the reception of a message.

D7	D6	D5	D4	D3	D2	D1	D0
?	?	1	1	0	0	?	?

- 0 0 ——— programming either of these bit patterns specifies that only the $\overline{\text{SYNC}}$ pin can be used for character sync
- 0 1 ———
- 1 0 ——— either the $\overline{\text{SYNC}}$ pin or a match with the character stored in WR7 will signal character sync

WR4—Register Layout

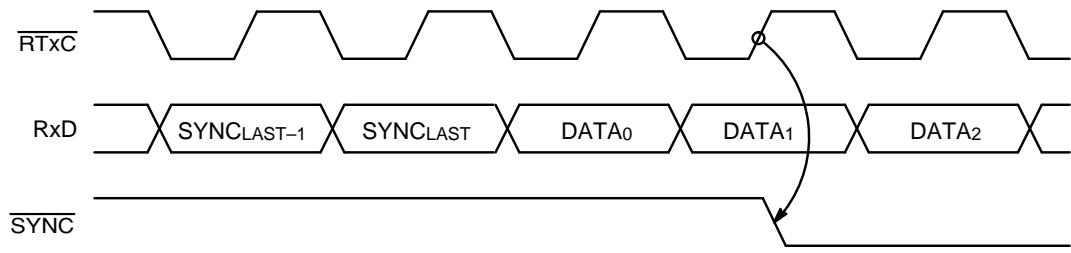


Figure 4–27. External SYNC Receiver Synchronization



CHAPTER 5

Support Circuitry Programming

5.1	Introduction	5-3
5.2	Clock Options	5-3
5.2.1	Crystal Oscillator	5-3
5.2.2	Receive Clock Source	5-4
5.2.3	Transmit Clock Source	5-4
5.2.4	Clock Programming	5-5
5.3	Baud Rate Generator (BRG)	5-6
5.3.1	BRG Clock Source	5-8
5.3.2	BRG Enabling/Disabling	5-8
5.3.3	BRG Initialization	5-9
5.4	Data Encoding/Decoding	5-9
5.4.1	NRZ (Non-Return to Zero)	5-9
5.4.2	NRZI (Non-Return to Zero Inverted)	5-9
5.4.3	FM1 (Biphase Mark)	5-10
5.4.4	FM0 (Biphase Space)	5-10
5.4.5	Manchester Decoding	5-10
5.4.6	Data Encoding Programming	5-10
5.5	Digital Phase-Locked Loop (DPLL)	5-10
5.5.1	DPLL Clock Source	5-11
5.5.2	DPLL Enabling	5-11
5.5.3	DPLL Modes	5-11
5.5.3.1	NRZI Mode	5-11
5.5.3.2	FM Mode	5-12
5.5.3.3	Manchester Decoding Mode	5-13
5.5.3.4	FM Mode DPLL Receive Status	5-13
5.5.4	DPLL Initialization	5-15
5.5.5	Am85C30-16 DPLL Operation at 32 MHz	5-15
5.5.5.1	Introduction	5-15
5.5.5.2	Benefit	5-15
5.5.5.3	Applications	5-15
5.5.5.4	Description	5-15
5.5.5.5	Competition	5-15
5.6	Diagnostic Modes	5-15
5.6.1	Local Loopback	5-16
5.6.2	Auto Echo	5-16



Support Circuitry Programming

5.1 INTRODUCTION

The SCC incorporates additional logic on-chip which dramatically reduces the need for external hardware. This includes clocking options, baud rate generators, clock recovery logic, on-chip oscillators, and internal loopback modes. This chapter discusses how to program these functions.

5.2 CLOCK OPTIONS

The SCC may be programmed to select one of several sources to provide the transmit and receive clocks. In addition, the SCC contains a crystal oscillator in each channel, as well as the ability to echo one of several internal clock sources off chip. These options are controlled by the bits in WR11 as shown below.

WR11 is the Clock Mode Control register for both the receive and transmit clocks. It determines the type of signal on the $\overline{\text{SYNC}}$ and $\overline{\text{RTxC}}$ pins and the direction of the $\overline{\text{TRxC}}$ pin. This register also controls the output of the baud rate generator, the DPLL output, and the selection of either an input clock or XTAL output for the $\overline{\text{RTxC}}$ pin.

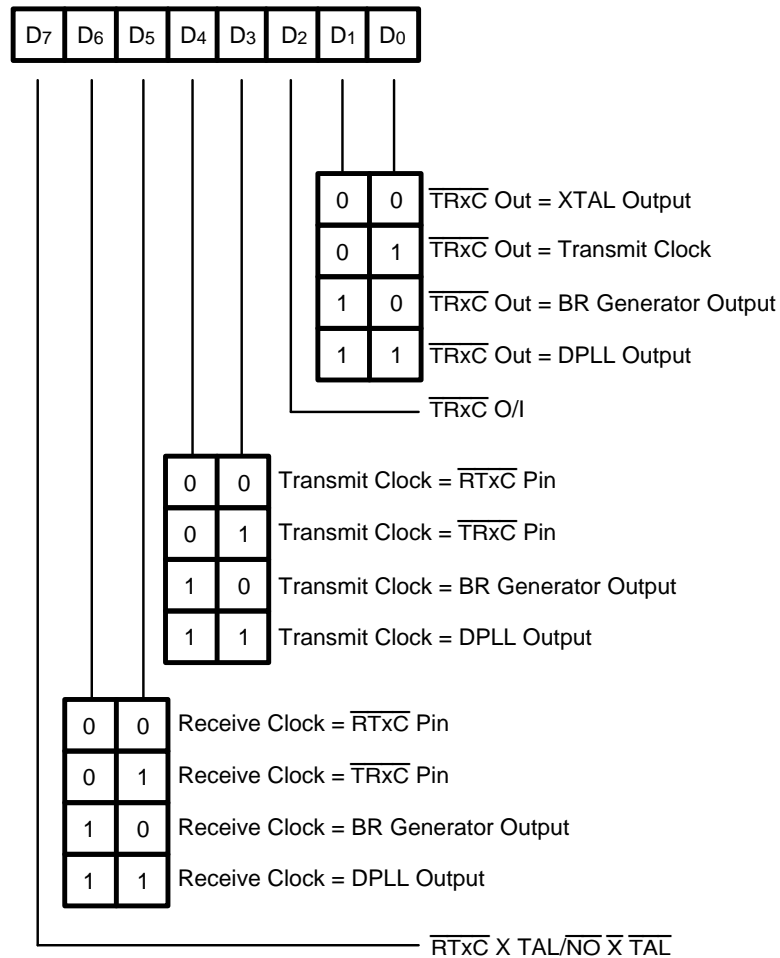
5.2.1 Crystal Oscillator

The crystal oscillator option is controlled by bit D7 in WR11. When this bit is set to '0', the crystal oscillator is disabled and all pins function normally. When this bit is set to '1', the crystal oscillator is enabled and a high-gain amplifier is connected between the $\overline{\text{RTxC}}$ pin and the $\overline{\text{SYNC}}$ pin. While the crystal oscillator is enabled, anything that has $\overline{\text{RTxC}}$ selected as its clock source will automatically be connected to the output of the crystal oscillator.

While the crystal oscillator is enabled, the $\overline{\text{SYNC}}$ pin is unavailable for other use. In Synchronous modes no sync pulse is output, and the External Sync mode cannot be selected. In Asynchronous mode, the state of the SYNC/HUNT bit in RR0 is no longer controlled by the $\overline{\text{SYNC}}$ pin. Instead, the SYNC/HUNT bit is forced to '0'. Note that the crystal oscillator requires some finite time to stabilize (20 ms) and so must be allowed to stabilize before being used as a clock.

For best results, a crystal oscillator with the following specifications should be used;

- 30 ppm @ 25°C
- <50 ppm over temperature range of -20 to 70°C
- <5 ppm/yr aging
- 5 mw drive level



WR11—Clock Mode Control

5.2.2 Receive Clock Source

The source of the receive clock is controlled by bits D6 and D5 of WR11. The receive clock may be programmed to come from the $\overline{\text{RTx̄C}}$ pin, the $\overline{\text{TRx̄C}}$ pin, the output of the baud rate generator, or the transmit output of the DPLL.

5.2.3 Transmit Clock Source

The source of the transmit clock is controlled by bits D4 and D3 of WR11. The transmit clock may be programmed to come from the $\overline{\text{RTx̄C}}$ pin, the $\overline{\text{TRx̄C}}$ pin, the output of the baud rate generator, or the transmit output of the DPLL.

Ordinarily the $\overline{\text{TRx̄C}}$ pin is an input, but it becomes an output if this pin is not selected as the source for the transmitter or the receiver, and bit D2 of WR11 is set to '1'. The selection of the signal provided on the $\overline{\text{TRx̄C}}$ output pin is controlled by bits D1 and D0 of WR11. The $\overline{\text{TRx̄C}}$ pin may be programmed to provide the output of the crystal oscillator, the output of the BRG, the receive output of the DPLL or the actual transmit clock. If the output of the crystal oscillator is selected but the crystal oscillator has not been enabled, the $\overline{\text{TRx̄C}}$ pin will be driven High. The option of placing the transmit clock signal on the $\overline{\text{TRx̄C}}$ pin, when it is an output, allows access to the transmit output of the DPLL.

Figure 5–1 shows a simplified schematic diagram of the circuitry used in the clock multiplexing. It shows the inputs to the multiplexer section as well as the various signal inversions that occur in the paths to the outputs. Also shown are the edges used by the receiver, transmitter, BRG, and DPLL to sample or send data or otherwise change state. For example, the receiver samples data on the falling edge, but since there is an inversion in the clock path between the RTxC pin and the receiver, a rising edge of the RTxC pin samples the data for the receiver.

5.2.4 Clock Programming

Selection of the clock options may be done anywhere in the initialization sequence, but the final values must be selected before the receiver, transmitter, BRG, or DPLL are enabled to prevent problems from arbitrarily narrow clock signals out of the multiplexers. The same is true of the crystal oscillator, in that the output should be allowed to stabilize before it is used as a clock source.

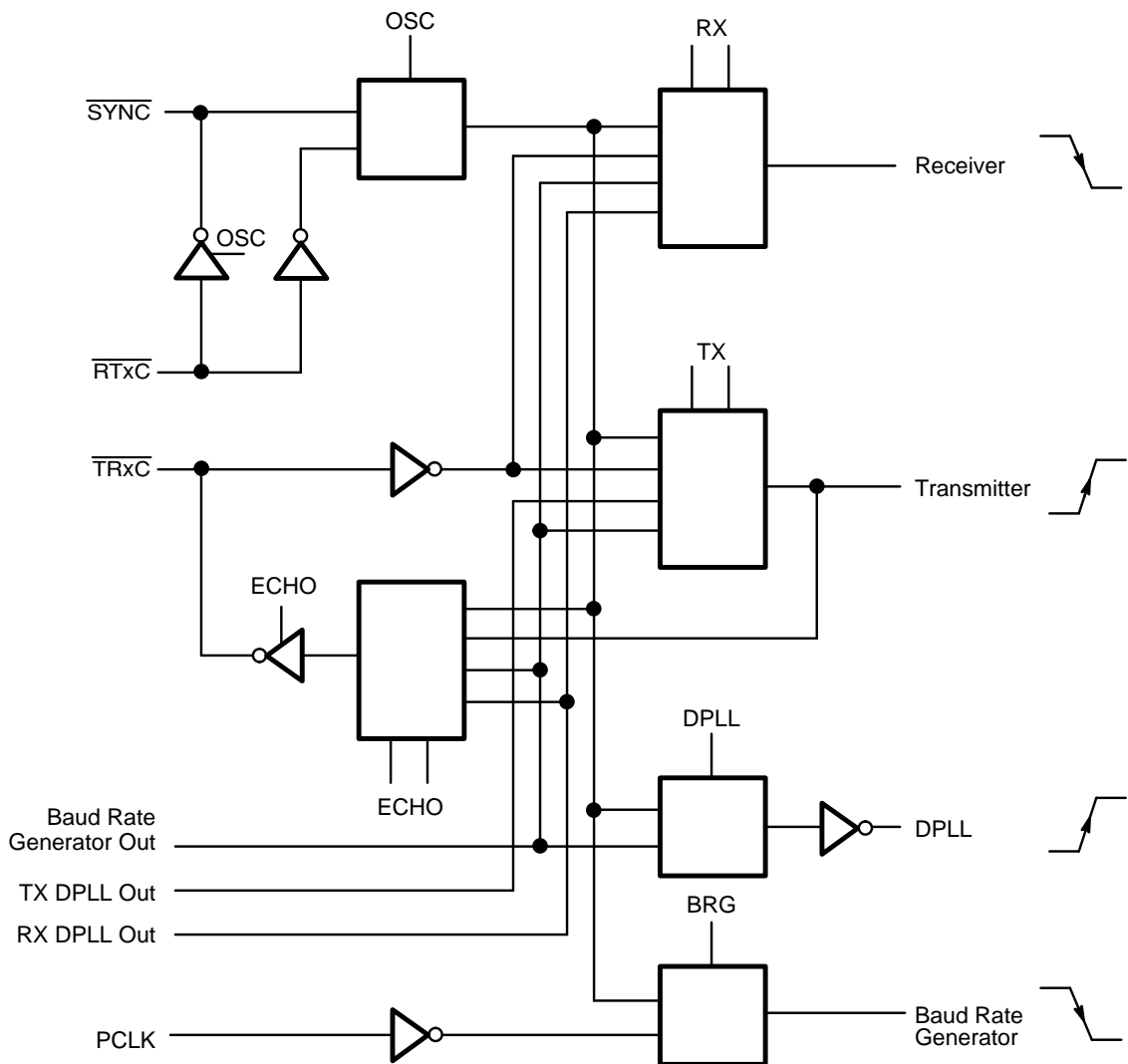


Figure 5–1. Clock Multiplexer

5.3 BAUD RATE GENERATOR (BRG)

Each channel in the SCC contains a programmable BRG. Each generator consists of two 8-bit, time-constant registers forming a 16-bit time constant, a 16-bit down counter, and a flip-flop on the output that makes the output a square wave. On start-up, the flip-flop on the output is set High so that it starts in a known state, the value in the time-constant register is again loaded into the counter, and the counter begins counting down.

Upon reaching a count of zero, the output of the BRG toggles and the time-constant value held in WR12 and WR13 is reloaded into the down counter and the process of counting down starts over. When the zero count is reached, the output of the BRG toggles, and for the duration of the zero count, the Zero Count status signal goes active to the External/Status interrupt section. Refer to Zero Count Section for details on the Zero Count Status bit in RR0. While the BRG is disabled the state of the Zero Count status bit in RR0 will always read '0' providing the Zero Count IE bit in WR15 is reset. While the Zero Count IE bit is set, the Zero Count status bit in RR0 will be set to '1' for as long as the BRG counter is at the count of zero. This status bit is forced active by a hardware reset.

No attempt is made to synchronize the loading of a new time constant with the clock used to drive the BRG. When the time-constant is to be changed, the generator should be stopped by resetting bit D0 of WR14. This ensures the loading of a correct time constant.

The time-constant for the BRG is programmed in WR12 and WR13, with the least significant byte in WR12. The formulas relating the baud rate to the time-constant and vice versa are shown in Table 5–1 with an example. In these formulas the BRG clock frequency is in Hertz, the desired baud rate in bits/second and the time-constant is dimensionless. The example in Table 5–2 assumes a 2.4576 MHz clock frequency and shows the time-constant for a number of popular baud rates.

Table 5–1. Time Constant Formulas

$$\text{Time Constant} = \frac{\text{Clock Frequency}}{2 \cdot (\text{Clock Mode}) \cdot (\text{Baud Rate})} - 2$$

$$\text{Baud Rate} = \frac{\text{Clock Frequency}}{2 \cdot (\text{Clock Mode}) \cdot (\text{Time Constant} + 2)}$$

Table 5–2. Baud Rate Example

Baud Rate	Divider	
	Decimal	Hex
38400	0	0000H
19200	2	0002H
9600	6	0006H
4800	14	000EH
2400	30	001EH
1200	62	003EH
600	126	007EH
300	254	00FEH
150	510	01FEH

For 2.4576 MHz, X16 Clock Mode

If neither the transmit clock nor the receive clock is programmed to come from the $\overline{\text{TRxC}}$ pin, the output of the BRG may be made available for external use on the $\overline{\text{TRxC}}$ pin.

Figure 5–2 shows a block diagram of the BRG. The BRG input comes from the output of a two-input multiplexer, and the zero count condition is outputted to the External/Status Interrupt section. The BRG may be disabled and enabled by command and is disabled by a hardware reset.

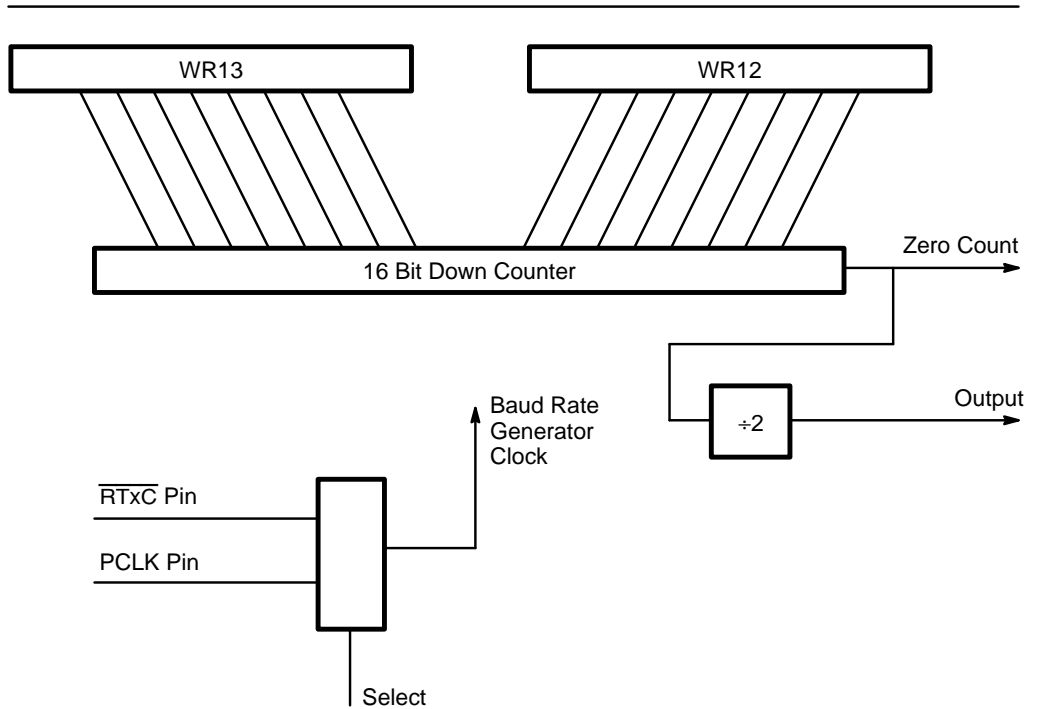


Figure 5–2. Baud Rate Generator

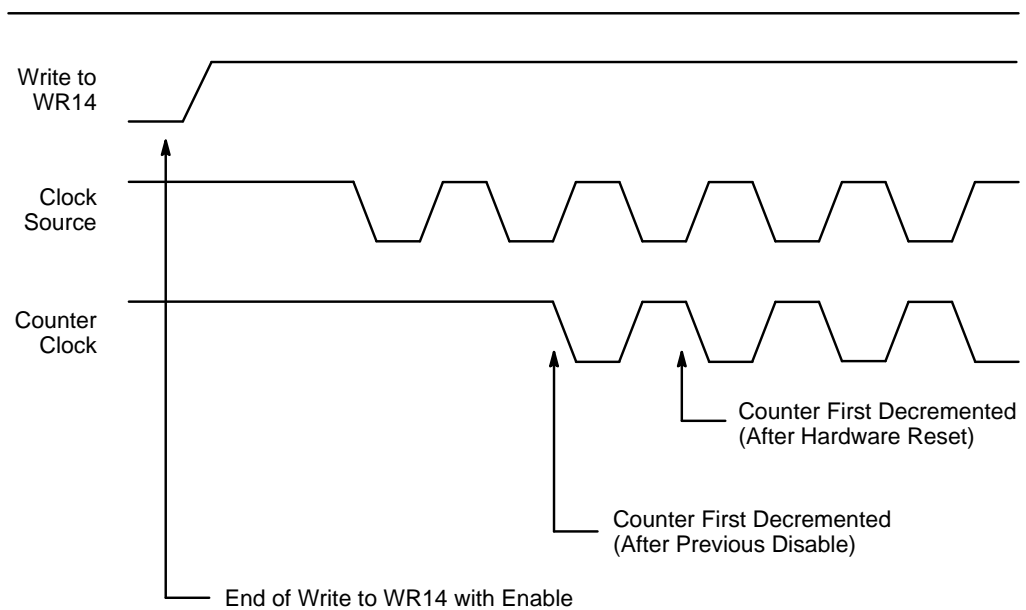


Figure 5–3. BRG Startup

5.3.1 BRG Clock Source

The clock source for the BRG is selected by bit D1 of WR14. When this bit is set to '0', the BRG uses the signal on the $\overline{\text{TRxC}}$ pin as its clock, independent of whether the $\overline{\text{TRxC}}$ pin is a simple input or part of the crystal oscillator circuit. When this bit is set to '1', the BRG is clocked by PCLK. Note that in order to avoid metastable problems in the counter, this bit should be changed only while the BRG is disabled, since arbitrarily narrow pulses can be generated at the output of the multiplexer when it changes status.

5.3.2 BRG Enabling/Disabling

The BRG is enabled while bit D0 of WR14 is set to '1' and is disabled while this bit is set to '0'. To prevent metastable problems when the BRG is first enabled, the enable bit is synchronized to the BRG clock. This introduces an additional two count delay when the BRG is first enabled as shown in Figure 5–3.

The BRG is disabled immediately when bit D0 of WR14 is set to '0' and no delay is generated. The BRG may be enabled and disabled on the fly, but this delay on startup must be taken into consideration.

Note that on the NMOS Z8530 (non-Hstep), it has been verified that if the BRG is disabled and then re-enabled, the BRG down counter may become underflowed. When this happens there will be a delay of $(\text{FFFF}) \cdot (\text{BRG clk period}) = 65535 \cdot (\text{BRG clk period})$ before the down counter is loaded with the new time constant. This will delay any activity which is controlled by the BRG.

It is important to clarify that if the underflow condition occurs, the resultant delay will occur once. All subsequent BRG controlled delays will be per the programmed BRG count value. In a system this one time delay may not cause a failure since activities like data transmission do not have to be completed within a fixed time frame. If the delay happens, the data remains in the Transmit Buffer and will be transmitted at a later time. However, in diagnostic routines the baud rate delay can cause failures, since all activities are expected to be completed within a fixed time frame.

Therefore, in order to guarantee correct operation, the SCC BRG should be operated according to the following guidelines:

- 1) If the BRG needs to be disabled, re-enable it only after a hardware reset. This is not always possible or desirable, but will guarantee that no underflow condition will occur.
- 2) If the time constant has to be re-loaded, do it "on the fly" with the LSB first.
 - If MSB is not being used (MSB = 00H), then the maximum delay for the new baud rate will be:
 $(\text{old LSB}) \cdot (\text{BRG Clock cycle})$
 - If both MSB and LSB are being used, then loading the new LSB first might generate an intermediate baud rate determined by the new LSB and old MSB time constants. After the new MSB is loaded the worst case delay for the new baud rate will be:
 $\text{Max}[(\text{old MSB}, \text{old LSB}), (\text{old MSB}, \text{new LSB})] \cdot (\text{BRG clock cycle})$
 If during the transition from the old baud rate to the new one the baud rate is not being used, and the above delays are taken into consideration, then loading the time constant "on the fly" will not cause any problems and will guarantee that no underflow condition will occur.
- 3) If the BRG has to be disabled and re-enabled without a hardware reset, then the baud rate may be delayed one time by $65535 \cdot (\text{BRG clk period})$.

5.3.3 BRG Initialization

Initializing the BRG is done in four steps. First, the time-constant is determined and loaded into WR12 and WR13. Next, the processor must select the clock source for the BRG by writing to bit D1 of WR14. Finally, the BRG is enabled by setting bit D0 of WR14 to '1'. Note that the first write to WR14 is not necessary after a hardware reset if the clock source is to be the $\overline{\text{RTxC}}$ pin. This is because a hardware reset automatically selects the $\overline{\text{RTxC}}$ pin as the BRG clock source.

5.4 DATA ENCODING/DECODING

The SCC provides four data encoding methods, selected by bits D6 and D5 in WR10. An example of these four methods is shown in Figure 5–4. Encoding may be used for asynchronous or synchronous data as long as the clock mode is x1. Note that the data encoding method selected is active even though the transmitter or receiver may be idling or disabled.

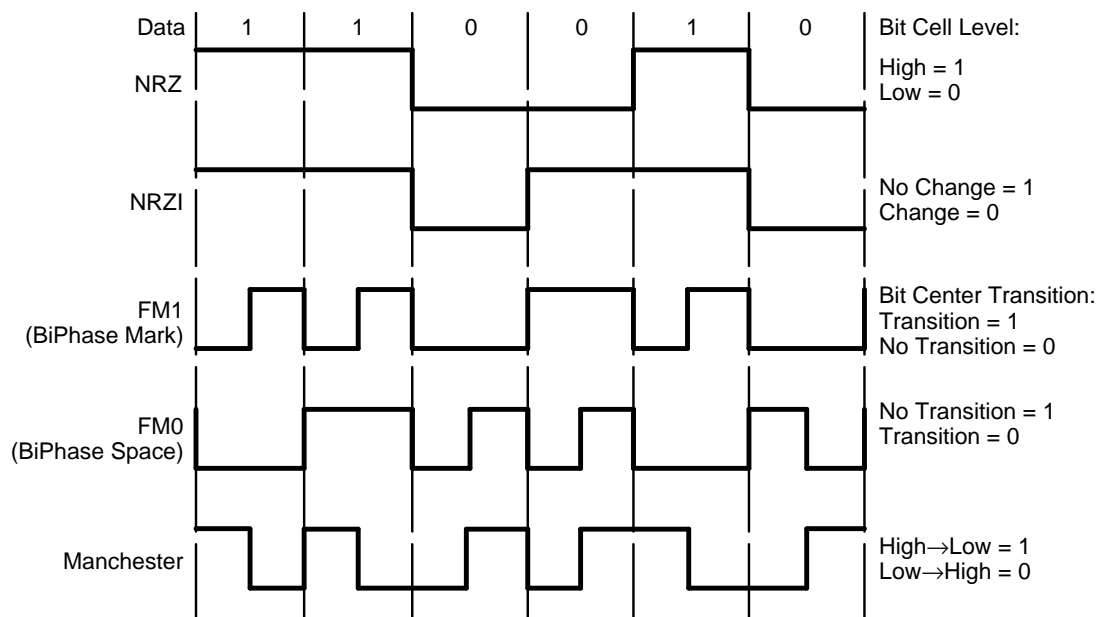


Figure 5–4. Data Encoding

5.4.1 NRZ (Non-Return to Zero)

In NRZ encoding a '1' is represented by a High level and a '0' is represented by a Low level. In this encoding method only a minimal amount of clocking information is available in the data stream in the form of transitions on bit-cell boundaries. In an arbitrary data pattern this may not be sufficient to generate a clock for the data from the data itself.

5.4.2 NRZI (Non-Return to Zero Inverted)

In NRZI encoding a '1' is represented by no change in the level and a '0' is represented by a change in the level. As in NRZ only a minimal amount of clocking information is available in the data stream, in the form of transitions on bit cell boundaries. In an arbitrary data pattern this may not be sufficient to generate a clock for the data from the data itself. In the case of SDLC Mode operation, where the number of consecutive '1's in the data stream is limited, a minimum number of transitions to generate a clock are guaranteed.

5.4.3 FM1 (Biphase Mark)

In FM1 encoding, also known as biphase mark, a transition is present on every bit cell boundary, and an additional transition may be present in the middle of the bit cell. In FM1, a '0' is sent as no transition in the center of the bit cell and a '1' is sent as a transition in the center of the bit cell. FM1 encoded data contains sufficient information to recover a clock from the data.

5.4.4 FM0 (Biphase Space)

In FM0 encoding, also known as biphase space, a transition is present on every bit cell boundary and an additional transition may be present in the middle of the bit cell. In FM0 a '1' is sent as no transition in the center of the bit cell and a '0' is sent as a transition in the center of the bit cell. FM0 encoded data contains sufficient information to recover a clock from the data.

5.4.5 Manchester Decoding

In addition to these four methods, the SCC can be used to decode Manchester (biphase level) data using the DPLL in the FM mode and programming the receiver for NRZ data. Manchester encoding always produces a transition at the center of the bit cell. If the transition is High-to-Low, the bit is a '1'; if the transition is Low-to-High, the bit is a '0'.

5.4.6 Data Encoding Programming

The data encoding method to be used should be selected in the initialization procedure before the transmitter and receiver are enabled but no other restrictions apply. Note, in Figure 5–4, that in NRZ and NRZI the receiver samples the data only on one edge. However, in FM1 and FM0, the receiver samples the data on both edges. Also, as shown in Figure 5–4, the transmitter defines bit cell boundaries by one edge in all cases and uses the other edge in FM1 and FM0 to create the mid-bit transition.

5.5 DIGITAL PHASE-LOCKED LOOP (DPLL)

The SCC contains a DPLL that can be used to recover clock information from a data stream with NRZI or FM coding. The DPLL is driven by a clock that is nominally 32 (NRZI) or 16 (FM) times the data rate. The DPLL uses this clock, along with the data stream, to construct a receive clock for the data. This clock can then be used as the receive clock, the transmit clock, or both.

Figure 5–5 shows a block diagram of the DPLL. It consists of a 5-bit counter, an edge detector, and a pair of output decoders. The clock for the DPLL comes from the output of a two-input multiplexer, and the two outputs go to the transmitter and receive clock multiplexers. The DPLL is controlled by seven commands that are encoded in bits D7, D6, and D5 of WR14.

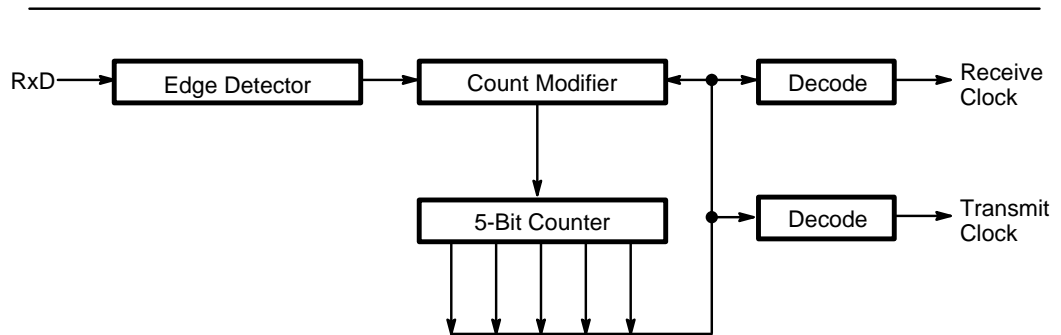


Figure 5–5. DPLL

5.5.1 DPLL Clock Source

The clock for the DPLL is selected by two of the commands in WR14. One command selects the output of the BRG as the clock source, and the other command selects the $\overline{\text{RTxC}}$ pin as the clock source, independent of whether the $\overline{\text{RTxC}}$ pin is a simple input or part of the crystal oscillator circuit. Note that in order to avoid metastable problems in the counter, the clock source selection should be made only while the DPLL is disabled, since arbitrarily narrow pulses can be generated at the output of the multiplexer when it changes status.

5.5.2 DPLL Enabling

The DPLL is enabled by issuing the Enter Search Mode command in WR14. This command is also used to reset the DPLL to a known state if it is suspected that synchronization has been lost. When used to enable the DPLL, the Enter Search Mode command unlocks the counter, which is held while the DPLL is disabled, and enables the edge detector. If the DPLL is already enabled when this command is issued, the DPLL also enters Search mode.

While in Search mode, the counter is held at a specific count and no outputs are provided. The DPLL remains in this status until an edge is detected in the receive data stream. This first edge is assumed to occur on a bit cell boundary, and the DPLL will begin providing an output to the receiver that will properly sample the data. As long as no other edges are detected, the DPLL output clock will free run at a frequency equal to the DPLL clock source divided by 32 without any phase jitter. Upon detecting another edge the DPLL will adjust the output clock to remain in phase with the received data by adding or subtracting a count of one. This will result in a phase jitter of $\pm 5.63^\circ$ on the DPLL output. Because the DPLL uses both edges of the incoming data to compare with its clock source, a mark-space deviation of no greater than $\pm 1.5\%$ (from 50%) should be maintained at the interface. If the first edge that the DPLL sees does not occur on a bit cell boundary, the DPLL will eventually lock on to the receive data but it will take longer to do so.

5.5.3 DPLL Modes

The DPLL may be programmed to operate in either NRZI or FM modes, as selected by a command in WR14. Note that as in the case of the DPLL clock source selection, the mode of operation should only be changed while the DPLL is disabled to prevent unpredictable results.

5.5.3.1 NRZI Mode

In NRZI mode, the clock supplied to the DPLL must be 32 times the data rate. In this mode the transmit and receive clock outputs of the DPLL are identical, and the clocks are phased so that the receiver samples the data in the middle of the bit cell. In NRZI mode, the DPLL does not require a transition in every bit cell, so this is useful for recovering the clocking information from NRZ and NRZI data streams.

The DPLL uses the x32 clock along with the receive data, to construct receive and transmit clock outputs that are phased to properly receive and transmit data.

To do this, the DPLL divides each bit cell into two regions, and makes an adjustment to the count cycle of the 5-bit counter dependent upon in which region a transition on the receive data input occurred. This is shown in Figure 5–6. Ordinarily, a bit cell boundary will occur between count 15 and count 16, and the DPLL output will cause the data to be sampled in the middle of the bit cell. The DPLL actually allows the transition marking a bit cell boundary to occur anywhere during the second half of count 15 or the first half of count 16 without making a correction to its count cycle.

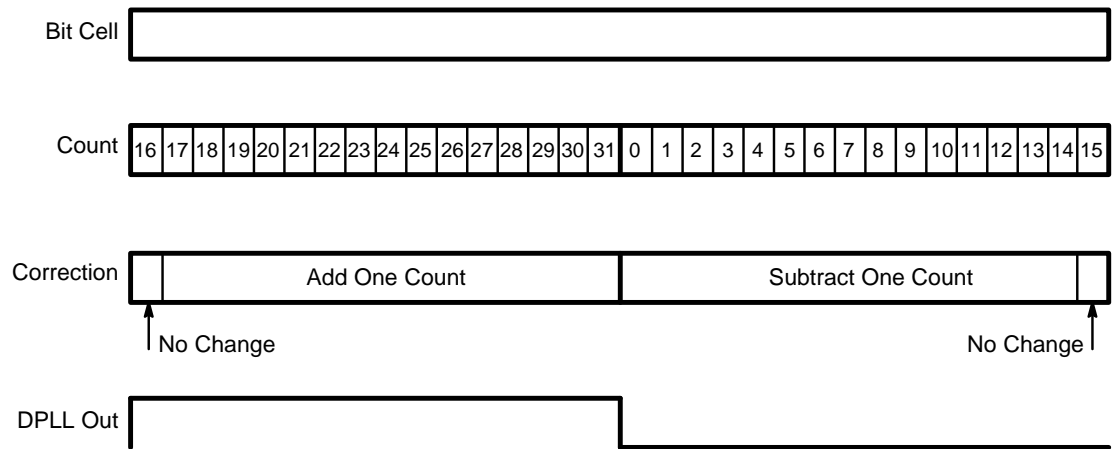


Figure 5–6. DPLL in NRZI Mode

However, if the transition marking a bit cell boundary occurs between the middle of count 16 and count 31 the DPLL is sampling the data too early in the bit cell. In response to this the DPLL extends its count by one during the next 0 to 31 counting cycle, which effectively moves the edge of the clock that samples the receive data closer to the center of the bit cell. In a similar manner, if the transition occurs between count 0 and the middle of count 15, the output of the DPLL is sampling the data too late in the bit cell. To correct this, the DPLL shortens its count by one during the next 0 to 31 counting cycle, which effectively moves the edge of the clock that samples the receive data closer to the center of the bit cell.

In NRZI mode, if the DPLL does not see any transition during a counting cycle, no adjustment is made in the following counting cycle. If an adjustment to the counting cycle is necessary the DPLL modifies count five, either deleting it or doubling it. Thus only the Low time of the DPLL output will be lengthened or shortened. While the DPLL is in search mode, the counter remains at count 16, where the DPLL outputs are both High. An example of the DPLL in operation is shown in Figure 5–7.

5.5.3.2 FM Mode

In FM mode, the clock supplied to the DPLL must be 16 times the data rate. In this mode the transmit clock output of the DPLL lags the receive clock output by 90 degrees. This is necessary to make the transmit and receive bit cell boundaries coincide, since the receive clock must sample the data one-fourth and three-fourths of the way through the bit cell. In FM mode the DPLL requires a transition in every bit cell, and if this transition is not present in two consecutive sampled bit cells, the DPLL automatically enters search mode.

The DPLL uses the clock supplied, along with the receive data, to construct receive and transmit clock outputs that are phased to receive and transmit data properly. In FM mode the counter in the DPLL still counts from 0 to 31 but now each cycle corresponds to 2 bit cells. In order to make adjustments and remain in phase with the receive data, the DPLL divides a pair of bit cells into five regions, making the adjustment to the counter dependent upon which region the transition on the receive data input occurred. This is shown in Figure 5–8.

Ordinarily, a bit cell boundary will occur between count 15 or count 16, and the DPLL receive output will cause the data to be sampled at one-fourth and three-fourths of the way through the bit cell. The DPLL actually allows the transition marking a bit cell boundary to occur anywhere during the second half of count 15 or the first half of count 16 without making a correction to its count cycle.

However, if the transition marking a bit cell boundary occurs between the middle of count 16 and the middle of count 19 the DPLL is sampling the data too early in the bit cell. In response to this the DPLL extends its count by one during the next 0 to 31 counting cycle, which effectively moves the receive clock edges closer to where they should be. In FM mode any transitions occurring between the middle of count 19 in one cycle and the middle of count 12 during the next cycle are ignored by the DPLL. This is necessary to guarantee that any data transitions in the bit cells will not cause an adjustment to the counting cycle.

As in NRZI mode, if an adjustment to the counting cycle is necessary, the DPLL modifies count 5, either deleting it or doubling it. If no adjustment is necessary, the count sequence proceeds normally. While the DPLL is in Search mode, the counter remains at count 16, where the receive output is Low and the transmit output is Low. This fact can be used to provide a transmit clock under software control since the DPLL is in Search mode while it is disabled. Note that while the DPLL is disabled the transmit clock output of the DPLL may be toggled by alternately selecting FM and NRZI mode in the DPLL. The same is true of the receive clock.

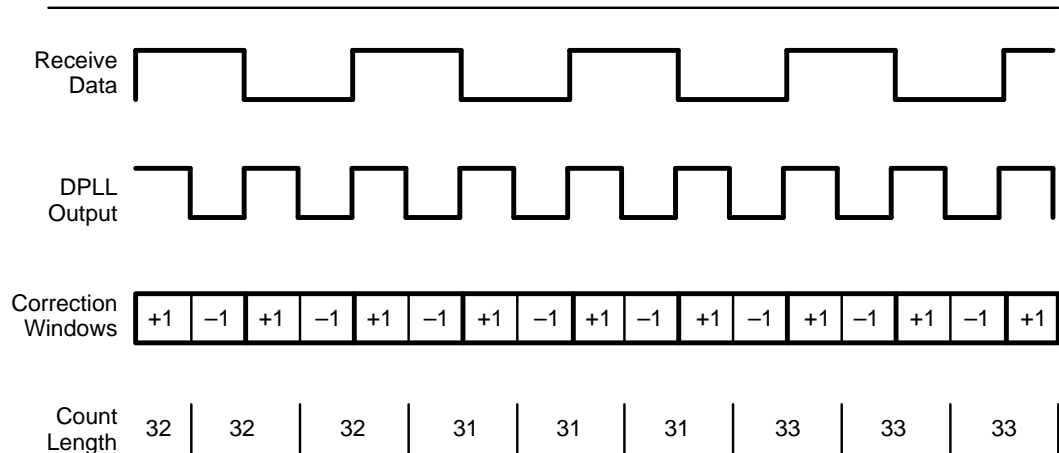


Figure 5–7. DPLL in FM Mode

5.5.3.3 Manchester Decoding Mode

In addition to FM and NRZI encoded data, the DPLL may also be used to recover the clock from Manchester encoded data, which contains a transition at the center of every bit cell. Here it is the direction of the transition that distinguishes a '1' from a '0'. Another way of looking at Manchester encoding is to realize that, during the first half of the bit cell the data are sent; during the second half of the bit cell the complement of the data are sent. This is shown in Figure 5–9, along with the DPLL output if it thinks that the mid-bit transitions are really bit cell boundaries. As is obvious from the figure, if the receiver samples the data on the falling edge of the DPLL receive clock output, the Manchester data will be properly decoded. This occurs if the receiver is programmed to accept NRZ data.

5.5.3.4 FM Mode DPLL Receive Status

From the above discussion together with an examination of FM0 and FM1 data encoding, it should be obvious that only clock transitions should exist on the receive data pin when the DPLL is programmed to enter Search mode. If this is not the case the DPLL may attempt to lock on to the data transitions. With FM0 encoding this requires continuous '1's received when leaving Search mode. In FM1 encoding it is continuous '0's; with Manchester encoded data this means alternating '1's and '0's.

With all three of these data encoding methods there will be at least one transition in every bit cell, and in FM mode the DPLL is designed to expect this transition. In particular, if no transition occurs between the middle of count 12 and the middle of count 19, the DPLL is probably not locked onto the data properly. When the DPLL misses an edge the One Clock Missing bit in RR10 is set to '1' and latched. It will hold this value until a Reset Missing Clock command is issued in WR14 or until the DPLL is disabled or programmed to enter the Search mode.

Upon missing this one edge the DPLL takes no other action and does not modify its count during the next counting cycle. However, if the DPLL does not see an edge between the middle of count 12 and the middle of count 19 in two successive 0 to 31 count cycles, a line Figure 5–7. DPLL Operating Example error condition is assumed. If this occurs, the two Clocks Missing bits in RR10 are set to '1' and latched. At the same time the DPLL enters the Search mode. The DPLL makes the decision to enter Search mode during count 2, where both the receive and transmit clock outputs are Low. This prevents any glitches on the clock outputs when Search mode is entered. While in Search mode no clock outputs are provided by the DPLL. The two Clocks Missing bit in RR10 is latched until a Reset Missing Clock command is issued in WR14, or until the DPLL is disabled or programmed to enter the Search mode.

In NRZI Mode of operation and while the DPLL is disabled, the One and Two Clock Missing bits in RR10 will be reset to '0'.

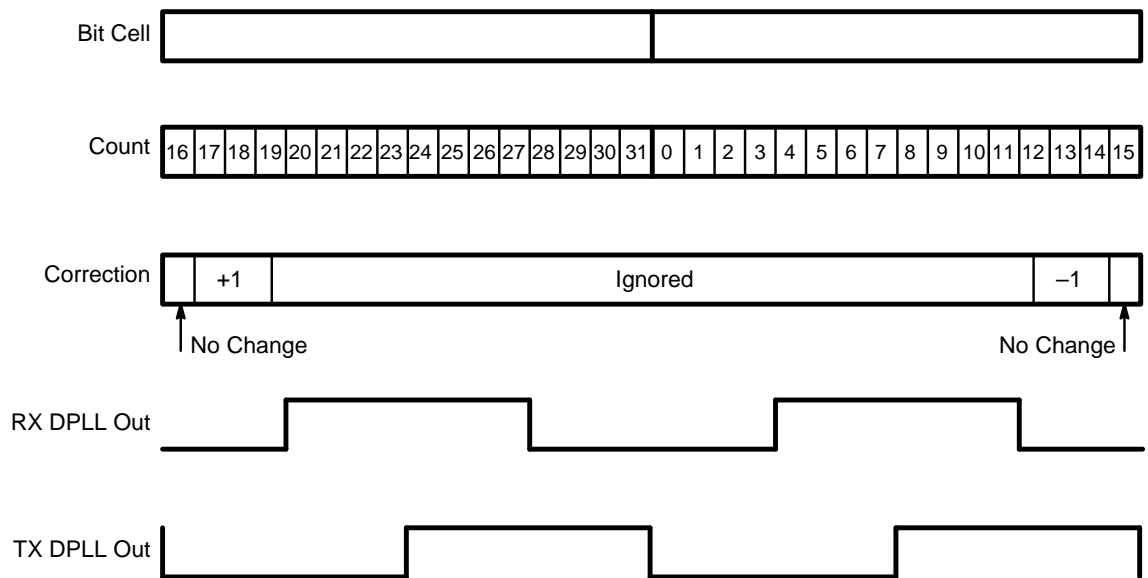


Figure 5–8. DPLL in FM Mode

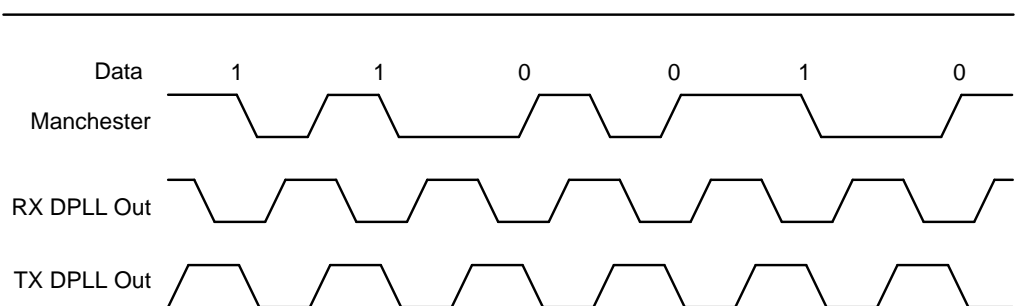


Figure 5–9. Manchester Clock Recovery

5.5.4 DPLL Initialization

Initialization of the DPLL may be done at any time during the initialization sequence, but should probably be done after the clock modes have been selected in WR11, and before the receiver and transmitter are enabled.

When initializing the DPLL the clock source should be selected first, followed by the selection of the operating mode. At this point the DPLL, may be enabled by issuing the Enter Search Mode command in WR14. Note that a channel or hardware reset disables the DPLL, selects the $\overline{\text{RTxC}}$ pin as the clock source for the DPLL, and places it in the NRZI mode.

Note that the DPLL is not free running if it is in search mode. Unless the DPLL receives a continuous stream of data, it will lose synchronization and enter search mode. It is therefore recommended that the clock input of the transmitter is fed from a continuous clock source other than the DPLL unless it can be guaranteed the DPLL always receives enough data to stay synchronized.

5.5.5 Am85C30-16 DPLL OPERATION AT 32 MHz

5.5.5.1 Introduction

The Digital Phase-Locked Loop (DPLL) for the Am85C30-16 can operate at twice the data sheet frequency (32 MHz). The DPLL is used to recover clock information from a FM data stream. This enhancement is available for *commercial product only*.

All Am85C30-16 devices are tested to guarantee 32 MHz DPLL capability.

5.5.5.2 Benefit

The customer can transmit and receive serial data at 2 mb/s in FM mode. This is twice the data rate specified in the data sheet. This is over three times what the competition can do. As specified in the competition's data sheet, 10 MHz part can only handle a 10 MHz clock for the DPLL. The Am85C30-16 DPLL can run at 32 MHz for both synchronous (SDLC) and asynchronous modes with FM encoding. This eliminates the need for an external DPLL and allows the user to utilize FM encoding at higher data rates.

5.5.5.3 Applications

The increased data rate of 2 mb/s is ideal for both factory and office automation applications including Local Area Networks as well as other RS485 and RS422 applications.

5.5.5.4 Description

An external 32 MHz, 50% duty cycle, TTL compatible signal to the $\overline{\text{RTxC}}$ pin provides the clock for the DPLL. The PCLK remains at 16 MHz. The rest of the setup is described in detail in the previous section of this technical manual.

5.5.5.5 Competition

The competition's data sheet for their 85C30 limits the clock for the DPLL to less than 10 MHz. This translates to only 0.625 mb/s for FM transmission and reception. The Am85C30-16 transmits and receives FM data at 2.0 mb/s—over three times faster than the competition's part.

5.6 DIAGNOSTIC MODES

The SCC contains two other features useful for diagnostic purposes controlled by bits in WR14. These are Local Loopback and Auto Echo.

5.6.1 Local Loopback

Local loopback is selected when bit D4 of WR14 is set to '1'. In this mode the output of the transmitter is internally connected to the input of the receiver. At the same time the $\overline{\text{TxD}}$ pin remains connected to the transmitter. In this mode the $\overline{\text{DCD}}$ pin is ignored as a receiver enable and the $\overline{\text{CTS}}$ pin is ignored as a transmitter enable even if the Auto Enables mode has been selected. Note that the DPLL input is connected to the $\overline{\text{RxD}}$ pin, not to the input of the receiver. This precludes the use of the DPLL in Local Loopback. Local Loopback is shown schematically in Figure 5–10.

5.6.2 Auto Echo

Auto Echo is selected when bit D3 of WR14 is set to '1'. In this mode the $\overline{\text{TxD}}$ pin is connected directly to the $\overline{\text{RxD}}$ pin, and the receiver input is connected to the $\overline{\text{RxD}}$ pin. In this mode the $\overline{\text{CTS}}$ pin is ignored as a transmitter enable and the output of the transmitter does not connect to anything. If both the Local Loopback and Auto Echo bits are set to '1', the Auto Echo mode will be selected, but both the $\overline{\text{CTS}}$ pin and the $\overline{\text{DCD}}$ pin will be ignored as auto enables. This, however, should not be considered a normal operating mode. Auto Echo is shown schematically in Figure 5–11.

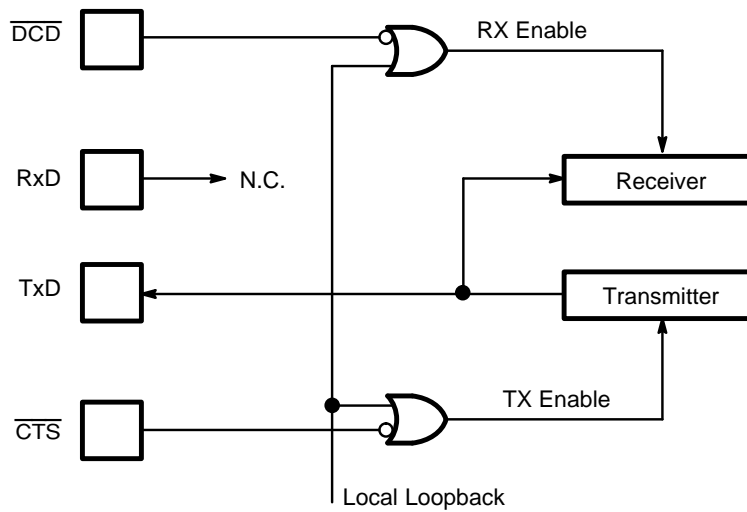


Figure 5–10. Local Loopback

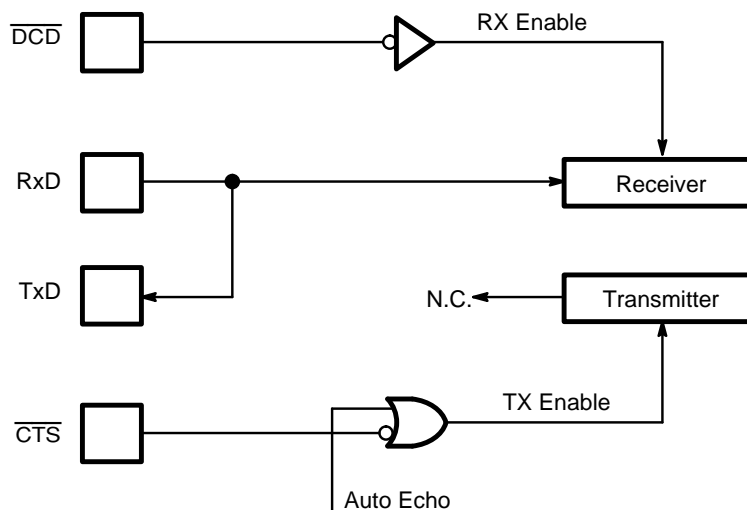


Figure 5–11. Auto Echo



CHAPTER 6

Register Description

6.1	Introduction	6-3
6.2	Write Registers	6-5
6.2.1	Write Register 0 (Command Register)	6-5
6.2.2	Write Register 1 (Transmit/Receive Interrupt and Data Transfer Mode Definition)	6-7
6.2.3	Write Register 2 (Interrupt Vector)	6-9
6.2.4	Write Register 3 (Receive Parameters and Control)	6-10
6.2.5	Write Register 4 (Transmit/Receiver Miscellaneous Parameters and Modes)	6-11
6.2.6	Write Register 5 (Transmit Parameter and Controls)	6-13
6.2.7	Write Register 6 (SYNC Characters or SDLC Address Field)	6-15
6.2.8	Write Register 7 (SYNC Character or SDLC FLAG/SDLC Option Register)	6-17
6.2.9	Write Register 8 (Transmit Buffer)	6-18
6.2.10	Write Register 9 (Master Interrupt Control)	6-18
6.2.11	Write Register 10 (Miscellaneous Transmitter/Receiver Control Bits)	6-20
6.2.12	Write Register 11 (Clock Mode Control)	6-23
6.2.13	Write Register 12 (Lower Byte of Baud Rate Generator Time Constant)	6-26
6.2.14	Write Register 13 (Upper Byte of Baud Rate Generator Time Constant)	6-26
6.2.15	Write Register 14 (Miscellaneous Control Bits)	6-27
6.2.16	Write Register 15 (External/Status Interrupt Control)	6-29
6.3	Read Registers	6-30
6.3.1	Read Register 0 (Transmit/Receive Buffer Status and External Status)	6-30
6.3.2	Read Register 1	6-33
6.3.3	Read Register 2	6-35
6.3.4	Read Register 3	6-35
6.3.5	Read Register 6	6-36
6.3.6	Read Register 7	6-36
6.3.7	Read Register 8	6-37
6.3.8	Read Register 10	6-37
6.3.9	Read Register 12	6-38
6.3.10	Read Register 13	6-38
6.3.11	Read Register 15	6-39



Register Description

6.1 INTRODUCTION

The following sections describe the SCC registers. Each register is detailed in terms of bit configuration, the active states (See Table 6–1) of each bit, their definitions, their functions, and their effects upon the internal hardware and external pins.

Table 6–1. SCC Register Description

Read Register Functions	
RR0	Transmit/Receive buffer status, and External status
RR1	Special Receive Condition status, residue codes, error conditions
RR2	Modified (Channel B only) interrupt vector and Unmodified interrupt vector (Channel A only)
RR3	Interrupt Pending bits (Channel A only)
*RR6	14-bit frame byte count (LSB)
*RR7	14-bit frame byte count (MSB), frame status
RR8	Receive buffer
RR10	Miscellaneous XMTR, RCVR status parameters
RR12	Lower byte of baud rate generator time constant
RR13	Upper byte of baud rate generator time constant
RR15	External/Status interrupt control information
* Available only when Am85C30 is programmed in enhanced mode.	
Write Register Functions	
WR0	Command Register, (Register Pointers), CRC initialization, resets for various modes
WR1	Interrupt conditions, Wait/DMA request control
WR2	Interrupt vector (access through either channel)
WR3	Receive/Control parameters, number of bits per character, Rx CRC enable
WR4	Transmit/Receive miscellaneous parameters and codes, clock rate, number of sync characters, stop bits, parity
WR5	Transmit parameters and control, number of Tx bits per character, Tx CRC enable
WR6	Sync character (1st byte) or SDLC address
WR7	SYNC character (2nd byte) or SDLC flag
**WR7'	SDLC options; auto flag, RTS, EOM reset, extended read, etc.
WR8	Transmit buffer
WR9	Master interrupt control and reset (accessed through either channel), reset bits, control interrupt daisy chain
WR10	Miscellaneous transmitter/receiver control bits, NRZI, NRZ, FM encoding, CRC reset
WR11	Clock mode control, source of Rx and Tx clocks
WR12	Lower byte of baud rate generator time constant
WR13	Upper byte of baud rate generator time constant
WR14	Miscellaneous control bits: baud rate generator, Phase-Locked Loop control, auto echo, local loopback
WR15	External/Status interrupt control information-control external conditions causing interrupts

** Only available in Am85C30.

6.2 WRITE REGISTERS

The SCC write register set for each channel includes ten control registers, two sync character registers, two baud rate time constant registers, a transmit buffer, and a master interrupt register. The following sections describe in detail each write register and the associated bit configuration for each.

6.2.1 Write Register 0 (Command Register)

WR0 is the command register and the CRC reset code register. Figure 6–1 shows the bit configuration for WR0.

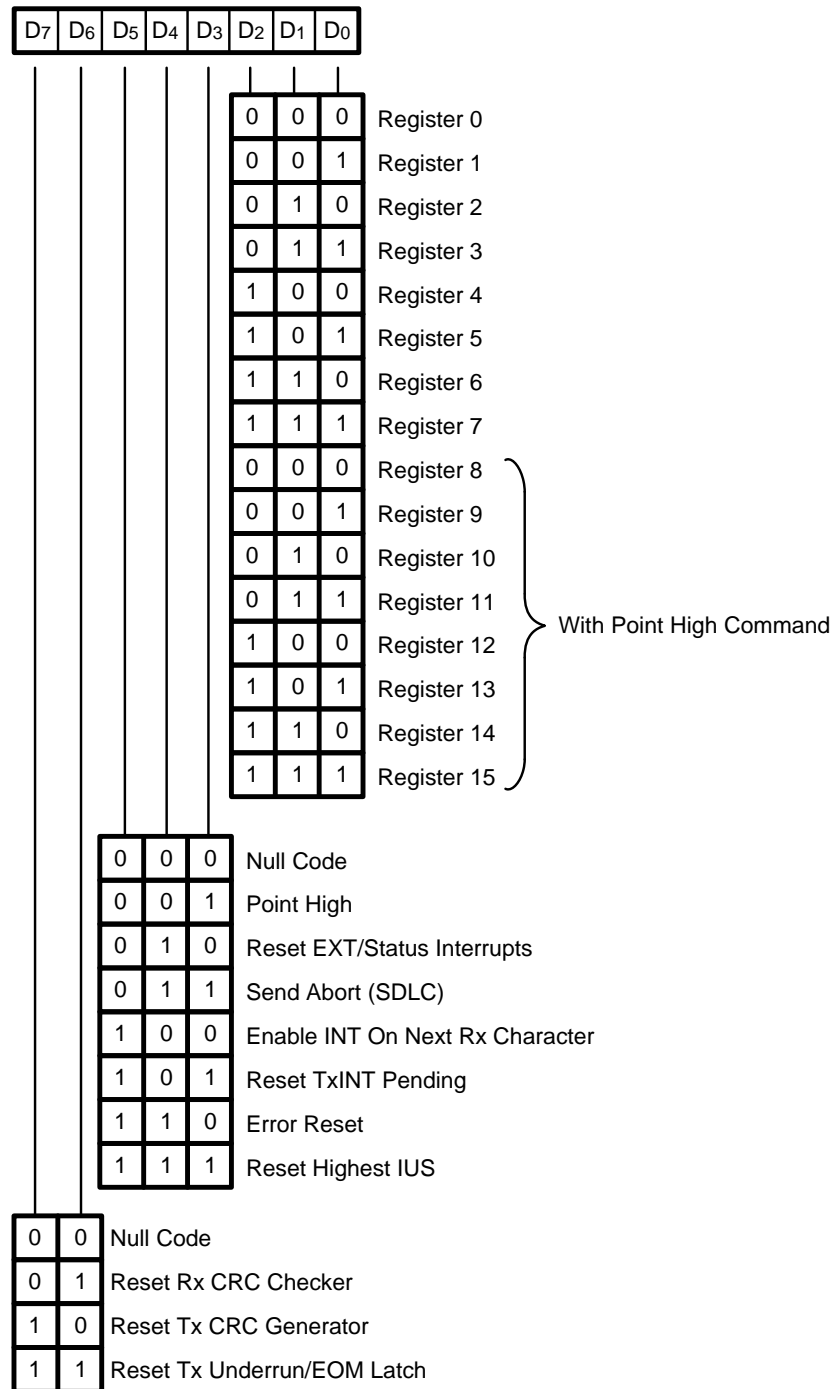


Figure 6–1. Write Register 0

Bits D7 and D6: CRC Reset Codes 0 and 1

Null code (00). This command has no effect on the SCC and is used when a write to WR0 is necessary for some reason other than a CRC Reset command.

Reset Receive CRC Checker (01). This command is used to initialize the receive CRC circuitry. It is necessary in synchronous modes (except SDLC) if the Enter Hunt Mode command in Write Register 3 is not issued between received messages. Any action that disables the receiver initializes the CRC circuitry. Also, whenever the receiver is in Hunt mode, or whenever a flag is received, the CRC checker will be automatically reset in SDLC mode.

Reset Transmit CRC Generator (10). This command initializes the CRC generator. It is usually issued in the initialization routine and after the CRC has been transmitted. A Channel Reset will not initialize the generator and this command should not be issued until after the transmitter has been enabled in the initialization routine.

Reset Transmit Underrun/EOM Latch (11). This command controls the transmission of CRC at the end of transmission (EOM). If this latch has been reset, and a transmit underrun occurs, the SCC automatically appends CRC to the message. In SDLC mode with Abort on Underrun selected, the SCC sends an abort, and Flag on underrun if the TX Underrun/EOM latch has been reset.

At the start of the CRC transmission the Tx Underrun/EOM latch is set. The Reset command can be issued at any time during a message. If the transmitter is disabled this command will not reset the latch. However, if no External Status interrupt is pending, or if a Reset External Status Interrupt command accompanies this command while the transmitter is disabled, an External/Status interrupt is generated with the Tx Underrun/EOM bit reset in RRO.

Bits D5–D3: Command Codes

Null Code (000). The Null command has no effect on the SCC.

Point High (001). This command effectively adds eight to the Register Pointer (D2–D0) by allowing WR8 through WR15 to be accessed. The Point High command and the Register Pointer bits are written simultaneously.

Reset External/Status Interrupts (010). After an External/Status interrupt (a change on a modem line or a break condition, for example), the status bits in RR0 are latched. This command enables the bits and allows interrupts to occur again as a result of a status change. Latching the status bits captures short pulses until the CPU has time to read the change. The SCC contains simple queuing logic associated with most of the external status bits in RR0. If another External/Status condition changes while a previous condition is still pending (Reset External/Status Interrupts has not yet been issued) and this condition persists until after the command is issued, this second change causes another External/Status interrupt. However, if this second status change does not persist (there are two transitions), another interrupt is not generated. Exceptions to this rule are detailed in the RR0 description.

Send Abort (011). This command is used in SDLC mode to transmit a sequence of eight to thirteen '1s.' This command always empties the transmit buffer and sets Tx Underrun/EOM bit in Read Register 0.

Enable Interrupt on Next RX Character (100). If the interrupt on the First Received Character mode is selected, this command is used to reactivate that mode after each message is received. The next character to enter the receive FIFO causes a Receive interrupt. Alternatively, the first previously stored character in the FIFO will cause a Receive interrupt.

Reset Tx Interrupt Pending (101). This command is used in cases where there are no more characters to be sent; e.g., at the end of a message. This command prevents further transmit interrupts until after the next character has been loaded into the transmit

buffer or until CRC has been completely sent. This command is necessary to prevent the transmitter from requesting an interrupt when the transmit buffer becomes empty again, (with Transmit Interrupt Enabled) on the last data character transmitted.

Error Reset (110). This command resets the error bits in RR1. If Interrupt on First Rx Character or Interrupt on Special Condition modes are selected and a special condition exists, the data with the special condition is held in the receive FIFO until this command is issued. If either of these modes is selected and this command is issued before the data have been read from the Receive FIFO, the data are lost.

Reset Highest IUS (111). This command resets the highest priority Interrupt Under Service (IUS) bit, allowing lower priority conditions to request interrupts. This command allows the use of the internal daisy chain (even in systems without an external daisy chain) and should be the last operation in an interrupt service routine.

Bits 2 through 0: Resister Selection Code

These three bits select Registers 0 through 7. With the Point High command, Registers 8 through 15 are selected.

6.2.2 Write Register 1 (Transmit/Receive Interrupt and Data Transfer Mode Definition)

Write Register 1 is the control register for the various SCC interrupt and Wait/Request modes. Figure 6–2 shows the bit assignments for WR1.

Bit 7: WAIT/DMA Request Enable

This bit enables the Wait/Request function in conjunction with the Request/Wait Function Select bit (D6). If bit 7 is set to '1', the state of bit 6 determines the activity of the $\overline{\text{WAIT/REQUEST}}$ pin (Wait or Request). If bit 7 is set to '0', the selected function (bit 6) forces the $\overline{\text{WAIT/REQUEST}}$ pin to the appropriate inactive state (High for Request, floating for Wait).

Bit 6: WAIT/DMA Request Function

The request function is selected by setting this bit to '1'. In the DMA Request mode, the $\overline{\text{WAIT/REQUEST}}$ pin switches from High to Low when the SCC is ready to transfer data. When this bit is '0', the wait function is selected. In the Wait mode, the $\overline{\text{WAIT/REQUEST}}$ pin switches from floating to Low when the CPU attempts to transfer data before the SCC is ready.

Bit 5: WAIT/DMA Request On Receive Transmit

This bit determines whether the $\overline{\text{WAIT/REQUEST}}$ pin operates in the Transmit mode or the Receive mode. When set to '1', this bit allows the wait/request function to follow the state of the receive buffer; i.e., depending on the state of bit 6, the $\overline{\text{WAIT/REQUEST}}$ pin is active or inactive in relation to the empty or full state of the receive buffer. Conversely, if this bit is set to '0', the state of the $\overline{\text{WAIT/REQUEST}}$ pin is determined by bit 6 and the state of the transmit buffer. (Note that a transmit request function is available on the $\overline{\text{DTR/REQUEST}}$ pin. This allows full-duplex operation under DMA control for both channels.)

The request function may occur only when the SCC is not selected; e.g., if the internal request becomes active while the SCC is in the middle of a read or write cycle, the external request will not become active until the cycle is complete. An active request output causes a DMA controller to initiate a read or write operation. If the request on Transmit mode is selected in either SDLC or Synchronous mode, the Request pin is pulsed Low for one PCLK cycle at the end of CRC transmission of another block of data.

In the Wait On Receive mode, the $\overline{\text{WAIT}}$ pin is active if the CPU attempts to read SCC data that have not yet been received. In the Wait On Transmit mode, the $\overline{\text{WAIT}}$ pin is active if the CPU attempts to write data when the transmit buffer is still full. Both situations can occur frequently when block transfer instructions are used.

Bits 4 and 3: Receive Interrupt Modes

These two bits specify the various character-available conditions that may cause interrupt requests.

Receive Interrupts Disabled (00). This mode prevents the receiver from requesting an interrupt and is normally used in a polled environment where either the status bits in RR0 or the modified vector in RR2 (Channel B) can be monitored to initiate a service routine. Although the receiver interrupts are disabled, a special condition can still provide a unique vector status in RR2.

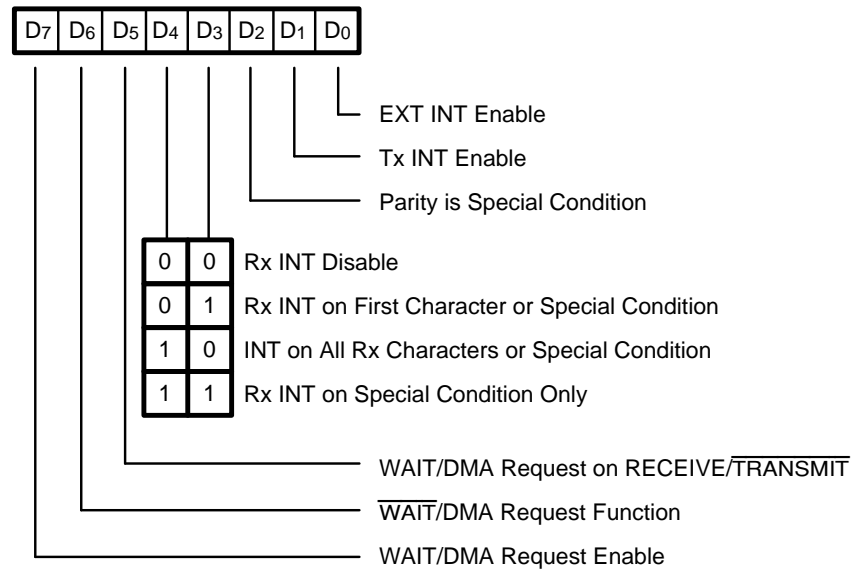


Figure 6–2. Write Register 1

Receive Interrupt on First Character or Special Condition (01). The receiver requests an interrupt in this mode on the first available character (or stored FIFO character) or on a special condition. Sync characters to be stripped from the message stream do not cause interrupts.

Special receive conditions are: receiver overrun, framing error, end of frame, or parity error (if selected). If a special receive condition occurs, the data containing the error are stored in the receive FIFO until an Error Reset command is issued by the CPU.

This mode is usually selected when a Block Transfer mode is used. In this interrupt mode, a pending special receive condition remains set until either an Error Reset command, a channel or hardware reset, or until receive interrupts are disabled.

The Receive Interrupt on First Character or Special Condition mode can be re-enabled by the Enable Rx Interrupt on Next Character command in WR0.

Interrupt on All Receive Characters or Special Condition (10). This mode allows an interrupt for every character received (or character in the receive FIFO) and provides a unique vector when a special condition exists. The Receiver Overrun bit and the Parity Error bit in RR1 are two special conditions that are latched. These two bits must be reset by the Error Reset command. Receiver overrun is always a special receive condition, and parity can be programmed to be a special condition.

Data characters with special receive conditions are not held in the receive FIFO in the Interrupt On All Receive Characters or Special Conditions mode as they are in other receive interrupt modes.

Receive Interrupt on Special Condition (11). This mode allows the receiver to interrupt only on characters with a special receive condition. When an interrupt occurs, the data containing the error are held in the receive FIFO until an Error Reset command is issued. When using this mode in conjunction with a DMA, the DMA can be initialized and enabled before any characters have been received by the SCC. This eliminates the time-critical section of code required in the Receive Interrupt on First Character or Special Condition mode; i.e., all data can be transferred via the DMA so that the CPU need not handle the first received character as a special case.

Bit 2: Parity Is Special Condition

If this bit is set to '1', any received characters with parity not matching the sense programmed in WR4 give rise to a Special Receive Condition. If parity is disabled (WR4), this bit is ignored. A special condition modifies the status of the interrupt vector stored in WR2. During an interrupt acknowledge cycle, this vector can be placed on the data bus.

Bit 1: Transmitter Interrupt Enable

If this bit is set to "1", the transmitter requests an interrupt whenever the transmit buffer becomes empty.

Bit 0: External/Status Master Interrupt Enable

This bit is the master enable for External/Status interrupts including $\overline{\text{DCD}}$, $\overline{\text{CTS}}$, $\overline{\text{SYNC}}$ pins, break/abort, the beginning of CRC transmission when the Transmit/Underrun/EOM latch is set, or when the counter in the baud rate generator reaches '0'. Write Register 15 contains the individual enable bits for each of these sources of External/Status interrupts. This bit is reset by a channel or hardware reset.

6.2.3 Write Register 2 (Interrupt Vector)

WR2 is the interrupt vector register. Only one vector register exists in the SCC, but it can be accessed through either channel. The interrupt vector can be modified by status information. This is controlled by the Vector Includes Status (VIS) and the Status High/Status Low bits in WR9. When the register is accessed in Channel A, the vector returned is the vector actually stored in WR2. When this register is accessed in Channel B, the vector returned includes status information in bits 1, 2, and 3 or in bits 6, 5, and 4, depending on the state of the Status High/Status Low bit in WR9 and independent of the state of VIS bit in WR9. The bit positions for WR2 are shown in Figure 6–3.

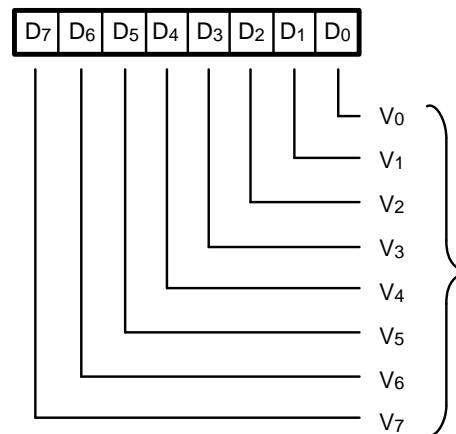


Figure 6–3. Write Register 2

6.2.4 Write Register 3 (Receive Parameters and Control)

This register contains the control bits and parameters for the receiver logic as illustrated in Figure 6–4. This register is readable by executing a Read to RR9 when D0 of WR15 and D6 of WR7 are set to '1'.

Bits 7 and 6: Receiver Bits/Character

The state of these two bits determines the number of bits to be assembled as a character in the received serial data stream. Table 6–2 lists the number of bits per character in the assembled character format. The number of bits per character can be changed while a character is being assembled, but only before the number of bits currently programmed is reached. Unused bits in the Received Data Register (RR8) are set to '1' in asynchronous modes. In synchronous modes and SDLC modes, the SCC transfers an 8-bit section of the serial data stream to the receive FIFO at the appropriate time.

Table 6–2. Receive Bits/Character

D7	D6	Character Length
0	0	5 Bits/Character
0	1	7 Bits/Character
1	0	6 Bits/Character
1	1	8 Bits/Character

Bit 5: Auto Enables

This bit programs the function for both $\overline{\text{DCD}}$ and $\overline{\text{CTS}}$ pins. $\overline{\text{CTS}}$ becomes the transmitter enable and $\overline{\text{DCD}}$ becomes the receiver enable when this bit is set to '1'. However, the Receiver Enable and Transmit Enable bits must be set before the $\overline{\text{DCD}}$ and $\overline{\text{CTS}}$ pins can be used in this manner. When the Auto Enables bit is set to '0', the $\overline{\text{DCD}}$ and $\overline{\text{CTS}}$ pins are merely inputs to the corresponding status bits in Read Register 0. The state of $\overline{\text{DCD}}$ is ignored in the Local Loopback mode. The state of $\overline{\text{CTS}}$ is ignored in both Auto Echo and Local Loopback modes. If CTS disables the transmitter during a byte transmission, the SCC will still complete the byte transfer.

Bit 4: Enter Hunt Mode

This command forces the comparison of sync characters or flags for the purpose of synchronization. After reset, the SCC automatically enters the Hunt mode (except asynchronous). Whenever a flag or sync character is matched, the Sync/Hunt bit in Read Register 0 is reset and, if External/Status Interrupt Enable is set, an interrupt sequence is initiated. The SCC automatically enters the Hunt mode when an abort condition is received or when the receiver is disabled.

Bit 3: Receiver CRC Enable

This bit is used to initiate CRC calculation at the beginning of the last byte transferred from the Receiver Shift register to the receive FIFO. This operation occurs independently of the number of bytes in the receive FIFO. When a particular byte is to be excluded from CRC calculation, this bit should be reset before the next byte is transferred to the receive FIFO. If this feature is used, care must be taken to ensure that eight bits per character is selected in the receiver because of an inherent delay from the Receive Shift register to the CRC checker.

This bit is internally set to '1' in SDLC mode and the SCC calculates CRC on all bits except inserted zeros between the opening and closing character flags. This bit is ignored in asynchronous modes.

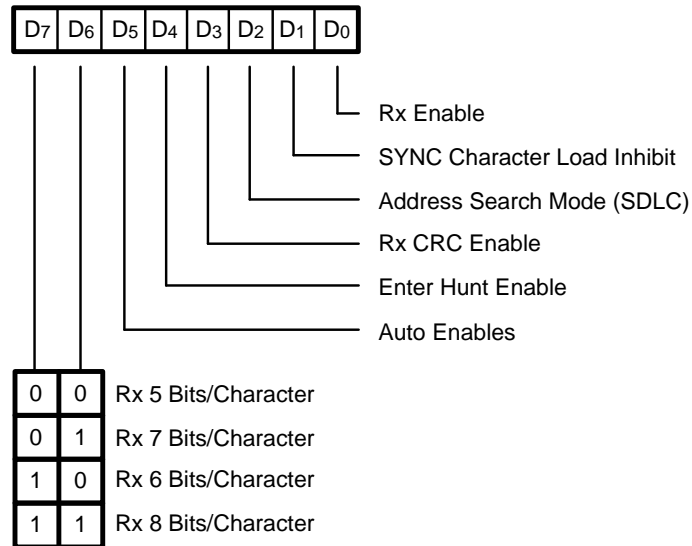


Figure 6–4. Write Register 3

Bit 2: Address Search Mode (SDLC)

Setting this bit in SDLC mode causes messages with addresses not matching the address programmed in WR6 to be rejected. No receiver interrupts can occur in this mode unless there is an address match. The address that the SCC attempts to match can be unique (1 in 256) or multiple (16 in 256), depending on the state of Sync Character Load Inhibit bit. The Address Search mode bit is ignored in all modes except SDLC.

Bit 1: SYNC Character Load Inhibit

If this bit is set to '1' in any synchronous mode except SDLC, the SCC compares the byte in WR6 with the byte about to be stored in the FIFO, and it inhibits this load if the bytes are equal. The SCC does not calculate the CRC on bytes stripped from the data stream in this manner. If the 6-bit sync option is selected while in Monosync mode, the compare is still across eight bits, so WR6 must be programmed for proper operation.

If the 6-bit sync option is selected with this bit set to '1', all sync characters except the one immediately preceding the data are stripped from the message. If the 6-bit sync option is selected while in the Bisync mode, this bit is ignored.

The address recognition logic of the receiver is modified in SDLC mode if this bit is set to "1," i.e., only the four most significant bits of WR6 must match the receiver address. This procedure allows the SCC to receive frames from up to 16 separate sources without programming WR6 for each source (if each station address has the four most significant bits in common). The address field in the frame is still eight bits long.

This bit is ignored in SDLC mode if Address Search mode has not been selected.

Bit 0: Receiver Enable

When this bit is set to '1', receiver operation begins. This bit should be set only after all other receiver parameters are established and the receiver is completely initialized. This bit is reset by a channel or hardware reset command, and it disables the receiver.

6.2.5 Write Register 4 (Transmit/Receiver Miscellaneous Parameters and Modes)

WR4 contains the control bits for both the receiver and the transmitter. These bits should be set in the transmit and receiver initialization routine before issuing the contents of WR1, WR3, WR6, and WR7. Bit positions for WR4 are shown in Figure 6–5. This register is readable by executing a read to RR4 when D0 of WR15 and D6 of WR7 are set to '1'.

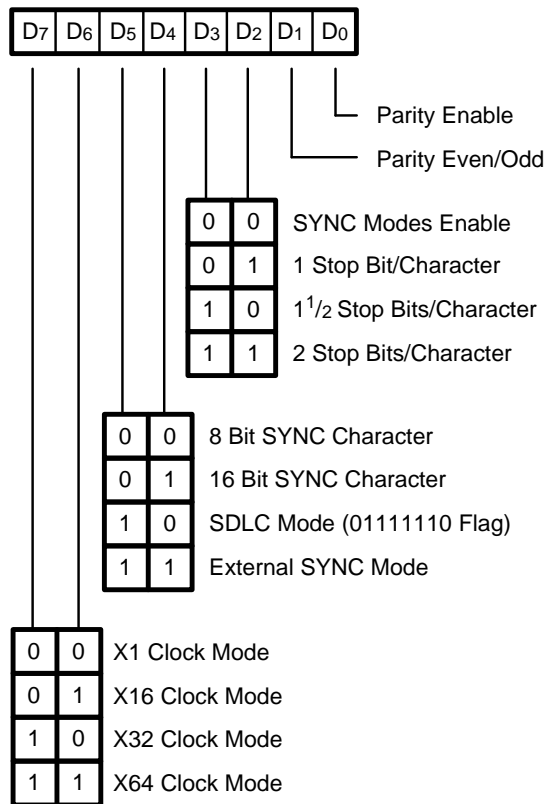


Figure 6–5. Write Register 4

Bits 7 and 6: Clock Rate 1 And 0

These bits specify the multiplier between the clock and data rates. In synchronous modes, the 1X mode is forced internally and these bits are ignored unless External Sync mode has been selected.

1X Mode (00). The clock rate and data rate are the same. In External Sync mode, this bit combination specifies that only the $\overline{\text{SYNC}}$ pin can be used to achieve character synchronization.

16X Mode (01). The clock rate is 16 times the data rate. In External Sync mode, this bit combination specifies that only the $\overline{\text{SYNC}}$ pin can be used to achieve character synchronization.

32X Mode (10). The clock rate is 32 times the data rate. In External Sync mode, this bit combination specifies that either the $\overline{\text{SYNC}}$ pin or a match with the character stored in WR7 will signal character synchronization. The sync character can be either six or eight bits long as specified by the 6-bit/8-bit Sync bit in WR10.

64X Mode (11). The clock rate is 64 times the data rate. With this bit combination in External Sync mode, both the receiver and transmitter are placed in SDLC mode. The only variation from normal SDLC operation is that the $\overline{\text{SYNC}}$ pin is used to start or stop the reception of a frame by forcing the receiver to act as though a flag had been received.

Bits 5 and 4: SYNC Modes 1 And 0

These two bits select the various options for character synchronization. They are ignored unless synchronous modes are selected in the stop bits field of this register.

Monosync (00). In this mode, the receiver achieves character synchronization by matching the character stored in WR7 with an identical character in the received data stream.

The transmitter uses the character stored in WR6 as a time fill. The sync character can be either six or eight bits, depending on the state of the 6-bit/8-bit Sync bit in WR10. If the Sync Character Load Inhibit bit is set, the receiver strips the contents of WR6 from the data stream if received within character boundaries.

Bisync (01). The concatenation of WR7 with WR6 is used for receiver synchronization and as time fill by the transmitter. The sync character can be 12 or 16 bits in the receiver, depending on the state of the 6-bit/8-bit Sync bit in WR10. The transmitted character is always 16 bits.

SDLC Mode (10). In this mode, SDLC is selected and requires a flag (01111110) to be written to WR7. The receiver address field should be written to WR6. The SDLC CRC polynomial must also be selected (WR5) in SDLC mode.

External Sync Mode (11). In this mode, the SCC expects external logic to signal character synchronization via the SYNC pin. If the crystal oscillator option is selected (in WR11), the internal SYNC signal is forced to '0'. Also in this mode, bits D7–D6 of this register select a special version of External Sync mode. Refer to Synchronous External SYNC Mode on page 4–41. The transmitter is in Monosync mode using the contents of WR6 as the time fill with the sync character length specified by the 6-bit/8-bit Sync bit in WR10.

Bits 3 and 2: Stop Bits 1 and 0

These bits determine the number of stop bits added to each asynchronous character that is transmitted. The receiver always checks for one stop bit in Asynchronous mode. A Special mode specifies that a Synchronous mode is to be selected. D2 is always set to '1', by a channel or hardware reset to ensure that the $\overline{\text{SYNC}}$ pin is in a known state after a reset.

Synchronous Modes Enable (00). This bit combination selects one of the synchronous modes specified by bits D4, D5, D6, and D7 of this register and forces the 1X Clock mode internally.

1 Stop Bit/Character (1). This bit selects Asynchronous mode with one stop bit per character.

1¹/₂ Stop Bits/Character (10). These bits select Asynchronous mode with 1-¹/₂ stop bits per character. This mode cannot be used with the 1X clock mode.

2 Stop Bits/Character (11). These bits select Asynchronous mode with two stop bits per transmitted character and check for one received stop bit.

Bit 1: Parity Even/Odd

This bit determines whether parity is checked as even or odd. A '1' programmed here selects even parity, and a '0' selects odd parity. This bit is ignored if the Parity Enable bit is not set.

Bit 0: Parity Enable

When this bit is set, an additional bit position beyond those specified in the bits/character control is added to the transmitted data and is expected in the receive data. The Received Parity bit is transferred to the CPU as part of the data unless eight bits per character is selected in the receiver.

6.2.6 Write Register 5 (Transmit Parameter and Controls)

WR5 contains control bits that affect the operation of the transmitter. D2 affects both the transmitter and the receiver. Bit positions for WR5 are shown in Figure 6–6. This register is readable by executing a read to RR5 when D0 of WR15 and D6 of WR7 are set to '1'.

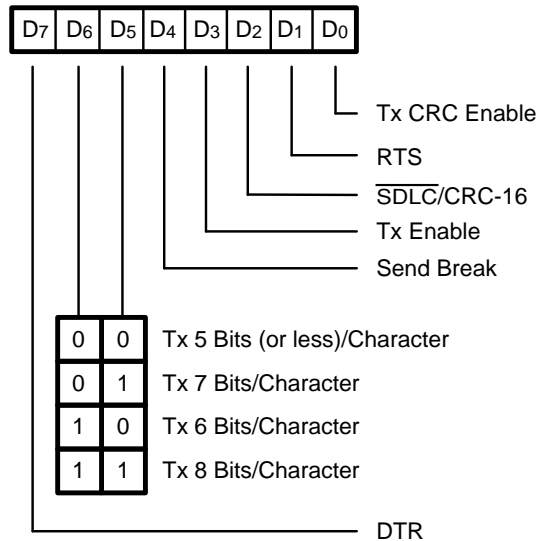


Figure 6–6. Write Register 5

Bit 7: Data Terminal Ready

This is the control bit for the $\overline{DTR}/\overline{REQ}$ pin while the pin is in the DTR mode (selected in WR14). When set, \overline{DTR} is Low; when reset, \overline{DTR} is High. This bit is ignored when $\overline{DTR}/\overline{REQ}$ is programmed to act as a Request pin. This bit is reset by a channel or hardware reset.

Bits 6 and 5: TX Bits/Character 1 and 0

These bits control the number of bits in each byte transferred to the transmit buffer. Bits sent must be right justified with least significant bits first.

The Five Or Less mode allows transmission of one to five bits per character; however, the CPU should format the data character as shown below in Table 6–3. In the Six or Seven Bits/Character modes, unused data bits are ignored.

Bit 4: Send Break

When set, this bit forces the TxD output to send continuous '0's beginning with the following transmit clock, regardless of any data being transmitted at the time. This bit functions whether or not the transmitter is enabled. When reset, TxD continues to send the contents of the Transmit Shift register, which might be syncs, data, or all '1's. If this bit is set while in the X21 mode (Monosync and Loop mode selected) and character synchronization is achieved in the receiver, this bit is automatically reset and the transmitter begins sending syncs or data. This bit can also be reset by a channel or hardware reset.

Table 6–3. Transmit Bits/Character

D ₆	D ₅	Character Length	
0	0	5 or less bits/character	
0	1	7 bits/character	
1	0	6 bits/character	
1	1	8 bits/character	

D ₇	D ₆	D ₅	D ₄	D ₃	D ₂	D ₁	D ₀	Transmitter
1	1	1	1	0	0	0	D ₀	Sends one data bit
1	1	1	0	0	0	D ₁	D ₀	Sends two data bits
1	1	0	0	0	D ₂	D ₁	D ₀	Sends three data bits
1	0	0	0	D ₃	D ₂	D ₁	D ₀	Sends four data bits
0	0	0	D ₄	D ₃	D ₂	D ₁	D ₀	Sends five data bits

Bit 3: Transmit Enable

Data is not transmitted until this bit is set, and the TxD output sends continuous '1's unless Auto Echo mode or SDLC Loop mode is selected. If this bit is reset after transmission has started, the transmission of data or sync characters is completed. If the transmitter is disabled during the transmission of a CRC character, sync or flag characters are sent instead of CRC. This bit is reset by a channel or hardware reset.

Bit 2: $\overline{\text{SDLC/CRC-16}}$

This bit selects the CRC polynomial used by both the transmitter and receiver. When set, the CRC-16 polynomial is used; when reset, the SDLC polynomial is used. The $\overline{\text{SDLC/CRC}}$ polynomial must be selected when SDLC mode is selected. The CRC generator and checker can be preset to all '0's or all '1's, depending on the state of the Preset 1/Preset 0 bit in WR10.

Bit 1: Request To Send

This is the control bit for the $\overline{\text{RTS}}$ pin. When the RTS bit is set, the $\overline{\text{RTS}}$ pin goes Low; when reset RTS goes High. In the Asynchronous mode with the Auto Enables bit set, $\overline{\text{RTS}}$ goes High only after all bits of the character have been sent and the transmit buffer is empty. In synchronous modes or the Asynchronous mode with auto enables off, the pin directly follows the state of this bit. This bit is reset by a channel or hardware reset.

Bit 0: Transmit CRC Enable

This bit determines whether or not CRC is calculated on a transmit character. If this bit is set at the time the character is loaded from the transmit buffer to the Transmit Shift register, CRC is calculated on that character. CRC is not automatically sent unless this bit is set when the transmit underrun exists.

6.2.7 Write Register 6 (Sync Characters or SDLC Address Field)

WR 6 is programmed to contain the transmit sync character in the Monosync mode. The first byte of a 16-bit sync character in the External Sync mode. WR6 is not used in asynchronous modes. In the SDLC modes, it is programmed to contain the secondary address field used to compare against the address field of the SDLC Frame. In SDLC mode, the SCC does not automatically transmit the station address at the beginning of a response frame. Bit positions for WR6 are shown in Figure 6–7.

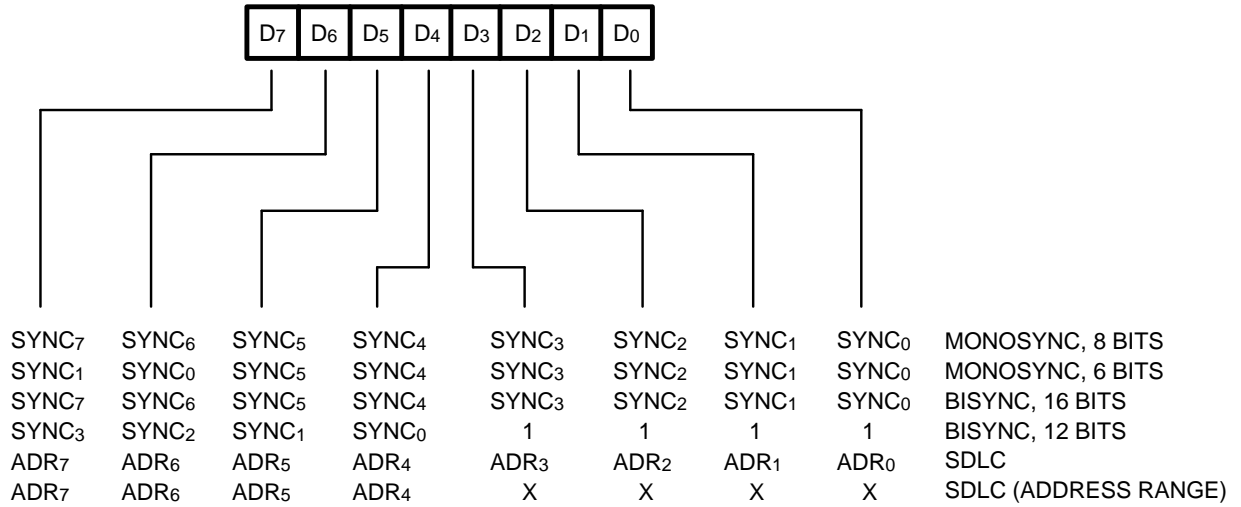


Figure 6–7. Write Register 6

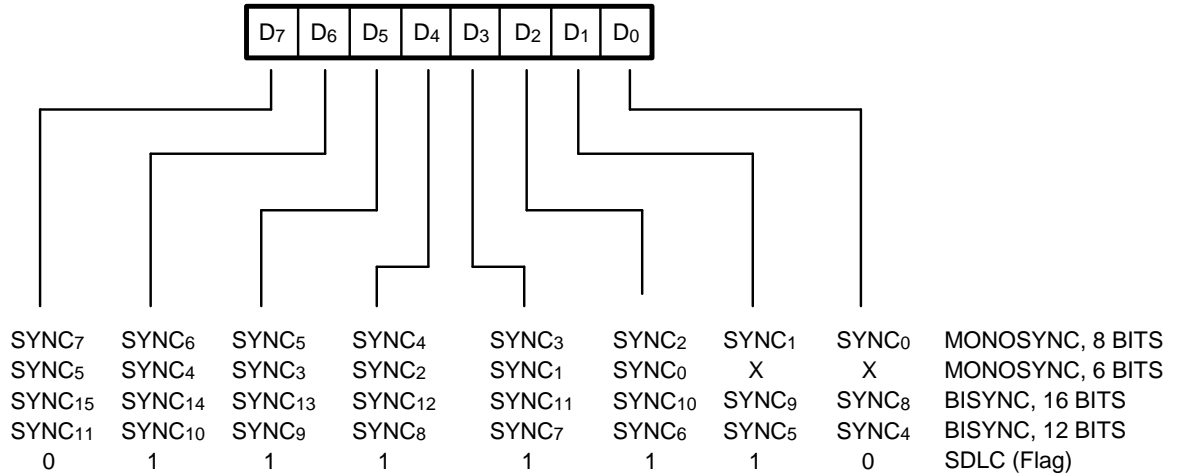


Figure 6–8. Write Register 7

6.2.8 Write Register 7 (Sync Character or SDLCFlag/SDLC Option Register)

Note SDLC option register is available only in CMOS version.

In the Nmos Am8530H, the use of this register differs depending on the mode the SCC is programmed in. In Monosync mode, WR7 is programmed with the receive sync character; in BISYNC, it is programmed with the second byte (the last 8 bits) of the 16-bit sync character. In SDLC modes, WR7 is programmed with the flag character (01111110).

Note, however, that WR7 may hold the receive sync character or flag if one of the special versions of the External Sync mode is selected.

Write Register 7' (Special SDLC Enhancement Register)

In the CMOS Am8530, special SDLC options are provided that enable the user to more effectively interface to the Am85C30. These options are available to the user if the previously unused bit, D0 of WR15, is set to '1'. When this bit is set, and the SCC is programmed for SDLC operation, an access to WR7 accesses a different register which allows the programming of these options. This register is referred to as WR7' (WR7 prime). Resetting this bit (D0 of WR15) disables the options and the next access to WR7 is to the flag register. Therefore, the user should always program the flag character first before setting bit D0 of WR15 to '1'. This register is readable by executing a read to RR14 when D0 of WR15 and D6 of WR7' are set to '1'.

Note that WR7 is not used in Asynchronous mode. Bit positions for WR7 are shown in Figure 6–8. Bit positions for WR7' are shown in Figure 6–9 with bit descriptions given below.

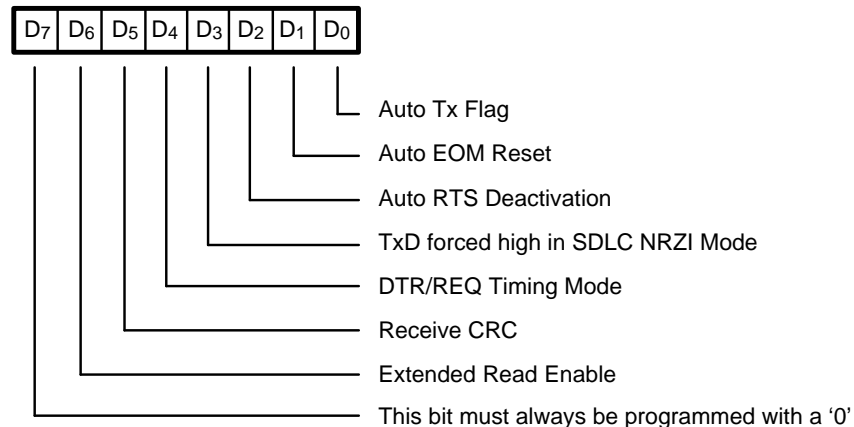


Figure 6–9. Write Register 7'

Bit 7: Not used. This bit must be programmed with '0'.

Bit 6: Extended Read Enable

If this bit is set to '1' the user is able to read the following previously unreadable registers; WR3, WR4, WR5 and WR10 in the CMOS SCC in each channel. These registers are read by addressing bogus read registers RR9, RR4, RR5 and RR11, respectively.

WR7' is updated or modified by writing to WR7 while this bit is set and is read by executing a read cycle to WR14 (RR14).

Bit 5: Receive CRC

If this bit is set to '1', the last two bits of the received CRC are properly clocked into the receive shift register and are available to the user.

Bit 4: $\overline{\text{DTR/REQ}}$ Timing Mode

This bit controls the timing of the $\overline{\text{DTR/REQ}}$ pin. If this bit is set to '1', the deactivation timing of the $\overline{\text{DTR/REQ}}$ pin is made identical to the $\overline{\text{WAIT/REQ}}$ pin.

Bit 3: TxD Forced High in SDLC NRZI Mode

If this bit is set to '1', and the transmitter is disabled while the SCC is programmed in SDLC mode with NRZI encoding, the $\overline{\text{TxD}}$ pin will be pulled to a high physical state.

Bit 2: Auto $\overline{\text{RTS}}$ Deactivation

This bit synchronizes the deactivation of $\overline{\text{RTS}}$ with the closing flag of an SDLC frame. If this bit is set to '1' and the user deactivates $\overline{\text{RTS}}$ while the CRC characters are being transmitted, the SCC assures that the last bit of the flag character is transmitted before deactivating $\overline{\text{RTS}}$.

Bit 1: Auto EOM Reset

This bit removes the requirement of having to reset the Tx Underrun/EOM latch during the transmission of a frame. If this bit is set to '1', the Tx Underrun/EOM latch will be automatically reset by the SCC after the first byte is transmitted.

Bit 0: Auto Tx Flag

This bit removes the requirement of having to wait for the mark idle and flag characters to be sent before the first data character of a new frame is written to the transmit buffer register (WR8). If this bit is set to '1', the user need only write the first character to the transmit buffer. The SCC will then transmit the opening flag followed by data.

6.2.9 Write Register 8 (Transmit Buffer)

WR8 is the transmit buffer register.

6.2.10 Write Register 9 (Master Interrupt Control)

WR9 is the Master Interrupt Control register and contains the Reset command bits. Only one WR9 exists in the SCC and can be accessed from either channel. The interrupt control bits can be programmed at the same time as the Reset command because these bits are reset only by a hardware reset. Bit positions for WR9 are shown in Figure 6–10.

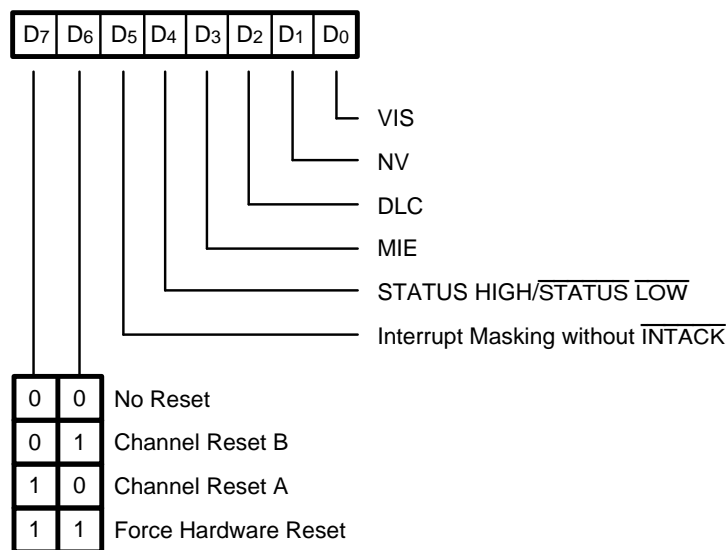


Figure 6–10. Write Register 9

Bits 7 and 6: Reset Command Bits

Together, these bits select one of the reset commands for the SCC. Setting either of these bits to '1' disables both the receiver and the transmitter in the corresponding channel, forces TxD for that channel marking, forces the modem control signals High in that channel, resets all IPs and IUSs and disables all interrupts in that channel. Five extra PCLK cycles must be allowed beyond the usual cycle time before any additional command or controls are written to the SCC.

No Reset (00). This command has no effect. It is used when a write to WR9 is necessary for some reason other than an SCC Reset command.

Channel Reset B (01). Issuing this command causes a channel reset to be performed on Channel B.

Channel Reset A (10). Issuing this command causes a channel reset to be performed on Channel A.

Force Hardware Reset (11). The effects of this command are identical to those of a hardware reset except that the MIE, Status High/Status Low and DLC bits take the programmed values that accompany this command.

Bit 5: Interrupt Masking Without $\overline{\text{INTACK}}$

If this bit is set to '1', the $\overline{\text{INTACK}}$ cycle is ignored by the SCC and should be tied High. This allows users to mask lower priority interrupts in applications where $\overline{\text{INTACK}}$ is neither necessary nor used.

Bit 4: Status High/Status Low

This bit controls which vector bits the SCC will modify to indicate status. When set to '1', the SCC modifies bits V6, V5, and V4 according to Table 6–4. When set to '0', the SCC modifies bits V1, V2, and V3 according to Table 6–1–3. This bit controls status in both the vector returned during an interrupt acknowledge cycle and the status in RR2B. This bit is reset by a hardware reset.

Bit 3: Master Interrupt Enable

The Master Interrupt Enable bit is used to globally inhibit SCC interrupts. When set to '1', interrupts for channel A and channel B are enabled. When this bit is set to '0', IEO is not forced low but follows the state of IEI unless there is an IUS set in the SCC. No IUS can be set after the MIE bit is set to '0'. This bit is reset by a hardware reset.

Table 6–4. Interrupt Vector Modification

V3 V4	V2 V5	V1 V6	Status High/Status Low=0 Status High/Status Low=1
0	0	0	Ch B Transmit Buffer Empty
0	0	1	Ch B External/Status Change
0	1	0	Ch B Receive Character Available
0	1	1	Ch B Special Receive Condition
1	0	0	Ch A Transmit Buffer Empty
1	0	1	Ch A External/Status Change
1	1	0	Ch A Receive Character Available
1	1	1	Ch A Special Receive Condition

Bit 2: Disable Lower Chain

The Disable Lower Chain can be used by the CPU to control the interrupt daisy chain. Setting this bit to '1' forces the IEO pin Low, preventing lower-priority devices on the daisy chain from requesting interrupts. This bit is reset by a hardware reset.

Bit 1: No Vector

The No Vector bit controls whether or not the SCC will respond to an interrupt acknowledge cycle by placing a vector on the data bus if the SCC is the highest-priority device requesting an interrupt. If this bit is set, no vector is returned; i.e., D0–D7 remain three-stated during an interrupt acknowledge cycle, even if the SCC is the highest-priority device requesting an interrupt.

Bit 0: Vector Includes Status

The Vector Includes Status bit controls whether or not the Z-SCC will include status information in the vector it places on the bus in response to an interrupt acknowledge cycle. If this bit is set, the vector returned is variable, with the variable field depending on the highest-priority IP that is set. Table 6–4 shows the encoding of the status information. This bit is ignored if the No Vector (NV) bit is set and does not apply if RR2 is read from Channel B.

6.2.11 Write Register 10 (Miscellaneous Transmitter/Receiver Control Bits)

WR10 contains miscellaneous control bits for both the receiver and the transmitter. Bit positions for WR10 are shown in Figure 6–11. This register is readable by executing a read to RR11 when D0 of WR15 and D6 of WR7 are set to '1'.

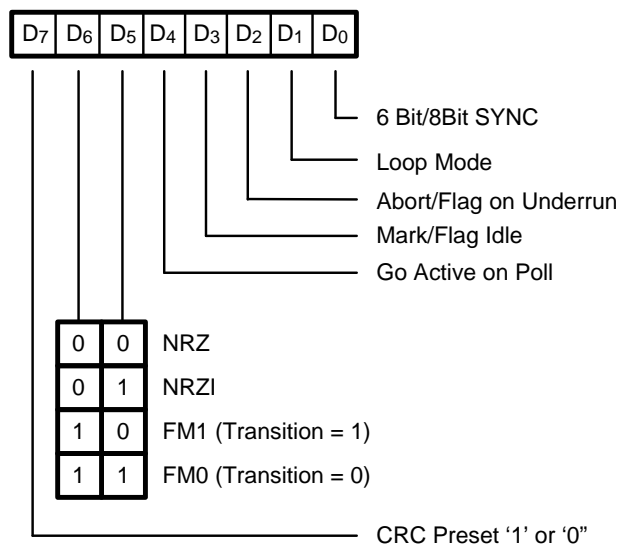


Figure 6–11. Write Register 10

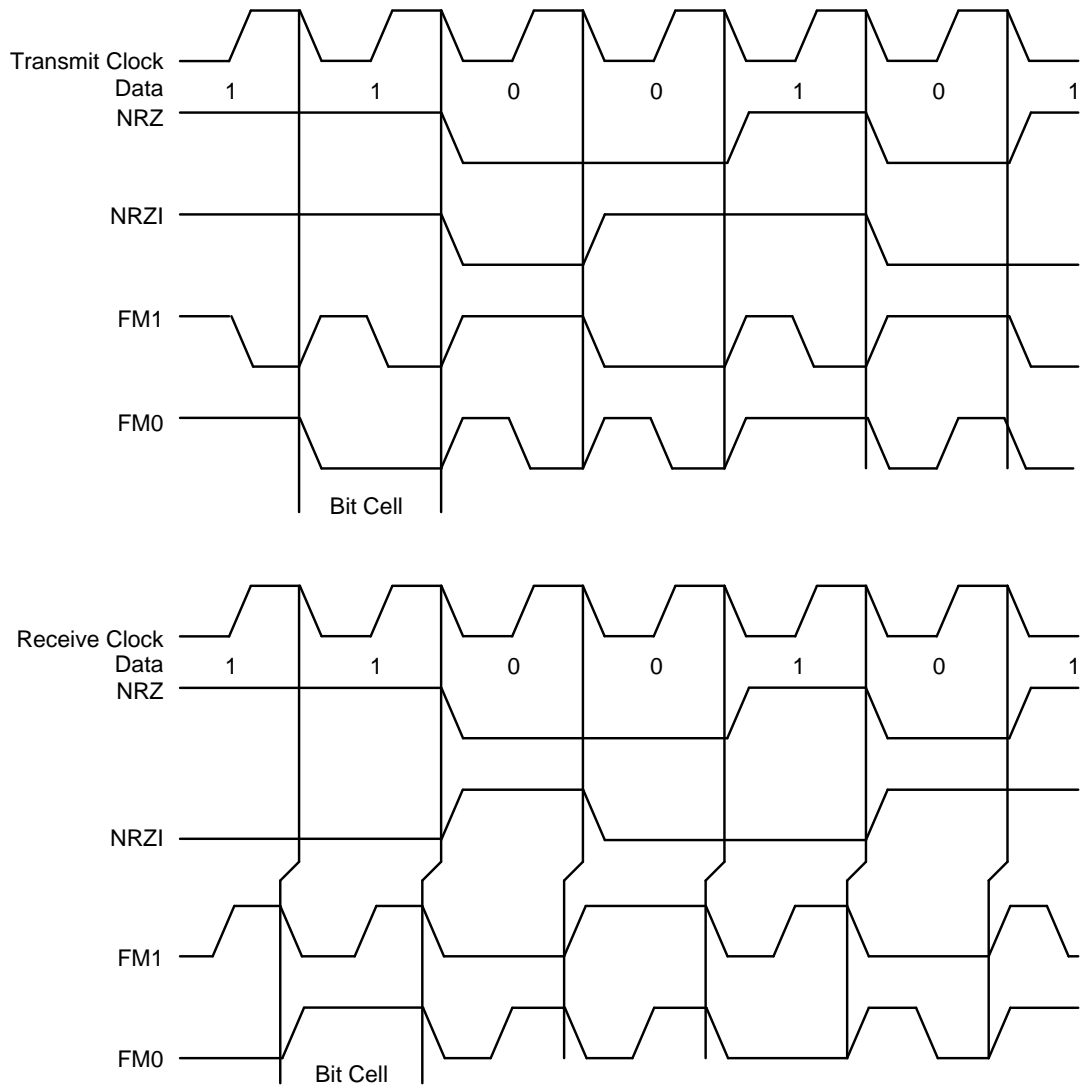


Figure 6–12. NRZ (NRZI) FM1 (FM0) Timing

Bit 7: CRC Presets ‘1’ or ‘0’

This bit specifies the initialized condition of the receive CRC checker and the transmit CRC generator. If this bit is set to ‘1’, the CRC generator and checker are preset to ‘1’. If this bit is set to ‘0’, the CRC generator and checker are preset to ‘0’. Either option can be selected with either CRC polynomial. In SDLC mode, the transmitted CRC is inverted before transmission and the received CRC is checked against the bit pattern “0001110100001111.” This bit is reset by a channel or hardware reset. This bit is ignored in Asynchronous mode.

Bits 6 and 5: Data Encoding 1 and 2

These bits control the coding method used for both the transmitter and the receiver, as illustrated in Table 6–5. All of the clocking options are available for all coding methods. The DPLL in the SCC is useful for recovering clocking information in NRZI and FM modes. Any coding method can be used in the X1 mode. A hardware reset forces NRZ mode. Timing for the various modes is shown in Figure 6–12.

Table 6–5. Data Encoding

D ₆	D ₅	Encoding
0	0	NRZ
0	1	NRZI
1	0	FM1 (transition = 1)
1	1	FM0 (transition = 0)

Bit 4: Go Active On Poll

When Loop mode is first selected during SDLC operation, the SCC connects RxD to TxD with only gate delays in the path. The SCC does not go on-loop and insert the 1-bit delay between RxD and TxD until this bit has been set and an EOP received. When the SCC is on-loop, the transmitter is active in SDLC Loop mode and is sending a flag. If this bit is set at the time the flag is leaving the Transmit Shift register, another flag or data byte (if the transmit buffer is full) is transmitted. If the Go Active On Poll bit is not set at this time, the transmitter finishes sending the flag and reverts to the 1-Bit Delay mode. Thus, to transmit only one response frame, this bit should be reset after the first data byte is sent to the SCC but before CRC has been transmitted. If the bit is not reset before CRC is transmitted, extra flags are sent, slowing down response time on the loop. If this bit is reset before the first data is written, the SCC completes the transmission of the present flag and reverts to the 1-Bit Delay mode. After gaining control of the loop, the SCC is not able to transmit again until a flag and another EOP have been received. Though not strictly necessary, it is good practice to set this bit only upon receipt of a poll frame to ensure that the SCC does not go on-loop without the CPU noticing it.

In synchronous modes other than SDLC with the Loop Mode bit set, this bit must be set before the transmitter can go active in response to a received sync character.

This bit is always ignored in Asynchronous mode and Synchronous modes unless the Loop Mode bit is set. This bit is reset by a channel or hardware reset.

Bit 3: $\overline{\text{Mark}}\overline{\text{Flag}}\text{ Idle}$

This bit affects only SDLC operation and is used to control the idle line condition. If this bit is set to '0', the transmitter sends flags as an idle line. If this bit is set to '1', the transmitter sends continuous '1's after the closing flag of a frame. The idle line condition is selected byte by byte; i.e., either a flag or eight '1's are transmitted. The primary station in an SDLC loop should be programmed for Mark Idle to create the EOP sequence. Mark Idle must be deselected at the beginning of a frame before the first data are written to the SCC, so that an opening flag can be transmitted. This bit is ignored in Loop mode, but the programmed value takes effect upon exiting the Loop mode. This bit is reset by a channel or hardware reset.

Bit 2: $\overline{\text{Abort/Flag On Underrun}}$

This bit affects only SDLC operation and is used to control how the SCC responds to a transmit underrun condition. If this bit is set to '1' and a transmit underrun occurs, the SCC sends an abort and a flag instead of CRC. If the bit is reset, the SCC sends CRC on a transmit underrun. At the beginning of this 16-bit transmission, the Transmit Underrun/EOM bit is set, causing an External/Status interrupt. The CPU uses this status, along with the byte count from memory or the DMA, to determine whether the frame must be retransmitted. A transmit buffer Empty interrupt occurs at the end of this 16-bit transmission to start the next frame. If both this bit and the Mark/Flag Idle bit are set to '1', all '1's are transmitted after the transmit underrun. This bit should be set after the first byte of data is sent to the SCC and reset immediately after the last byte of data so that the frame will be terminated properly with CRC and a flag. This bit is ignored in Loop mode, but the programmed value is active upon exiting Loop mode. This bit is reset by a channel or hardware reset.

Bit 1: Loop Mode

In SDLC mode, the initial set condition of this bit forces the SCC to connect TxD to TxD and to begin searching the incoming data stream so that it can go on-loop. All bits pertinent to SDLC mode operation in other registers must be set before this mode is selected. The transmitter and receiver should not be enabled until after this mode has been selected. As soon as the Go Active On Poll bit is set and an EOP is received, the SCC goes on-loop. If this bit is reset after the SCC is on-loop, the SCC waits for the next EOP to go off-loop.

In synchronous modes, the SCC uses this bit, along with the Go Active On Poll bit, to synchronize the transmitter to the receiver. The receiver should not be enabled until after this mode is selected. The TxD pin is held marking when this mode is selected unless a break condition is programmed. The receiver waits for a sync character to be received and then enables the transmitter on a character boundary. The break condition, if programmed, is removed. This mode works properly with sync characters of 6, 8, or 16 bits. This bit is ignored in Asynchronous mode and is reset by a channel or hardware reset.

Bit 0: 6 Bit/8 Bit Sync

This bit is used to select a special case of synchronous modes. If this bit is set to '1' in Monosync mode, the receiver and transmitter sync characters are six bits long instead of the usual eight. If this bit is set to '1' in Bisync mode, the received sync will be 12 bits and the transmitter sync character will remain 16 bits long. This bit is ignored in SDLC and Asynchronous modes but still has effect in the special external sync modes. This bit is reset by a channel or hardware reset.

6.2.12 Write Register 11 (Clock Mode Control)

WR11 is the Clock Mode Control register. The bits in this register control the sources of both the receive and transmit clocks, the type of signal on the Sync and $\overline{\text{RTxC}}$ pins, and the direction of the $\overline{\text{TRxC}}$ pin. Bit positions for WR11 are shown in Figure 6–13.

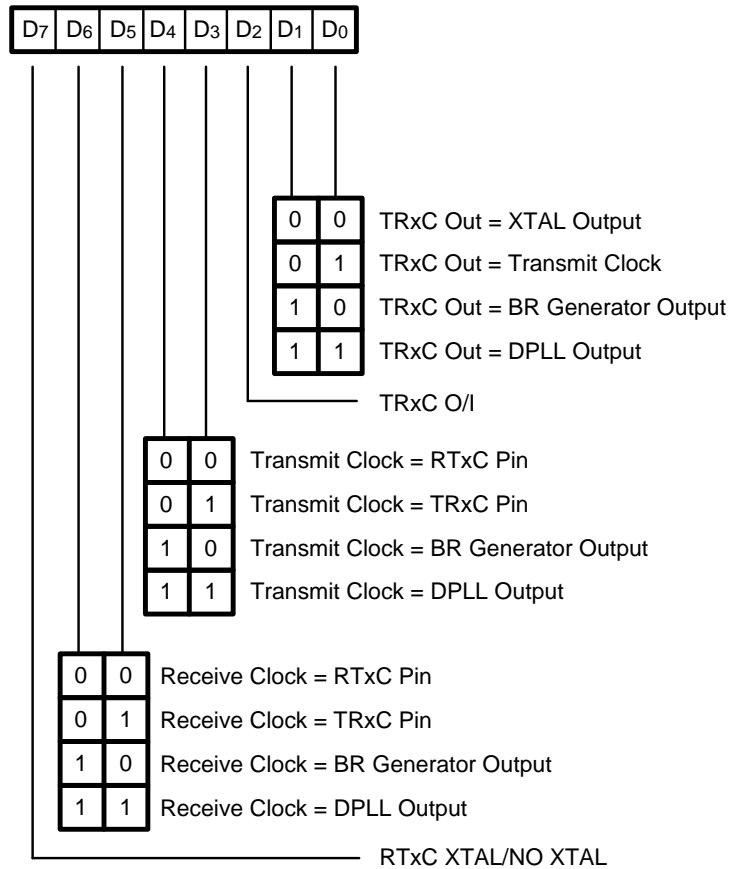


Figure 6–13. Write Register 11

Bit 7: RTxC—XTAL/NO XTAL

This bit controls the type of input signal the SCC expects to see on the $\overline{\text{RTxC}}$ pin. If this bit is set to '0', the SCC expects a TTL-compatible signal as an input to this pin. If this bit is set to '1', the SCC connects a high-gain amplifier between the $\overline{\text{RTxC}}$ and $\overline{\text{SYNC}}$ pins in expectation of a quartz crystal being placed across the pins.

The output of this oscillator is available for use as a clocking source. In this mode of operation, the Sync pin is unavailable for other use. The Sync signal is forced to '0' internally. A hardware reset forces No XTAL. (At least 20 ms should be allowed after this bit is set to allow the oscillator to stabilize.)

Bits 6 and 5: Receiver Clock 1 And 0

These bits determine the source of the receive clock as shown in Table 6–6. They do not interfere with any of the modes of operation in the SCC but simply control a multiplexer just before the internal receive clock input. A hardware reset forces the receive clock to come from the $\overline{\text{TRxC}}$ pin.

Table 6–6. Receive Clock Source

D ₆	D ₅	
0	0	Receive Clock = RTxC pin
0	1	Receive Clock = $\overline{\text{TRxC}}$ pin
1	0	Receive Clock = BRG output
1	1	Receive Clock = DPLL output

Bits 4 and 3: Transmit Clock 1 and 0

These bits determine the source of the transmit clock as shown in Table 6–7. They do not interfere with any of the modes of operation of the SCC but simply control a multiplexer just before the internal transmit clock input. The DPLL output that may be used to feed the transmitter in FM modes lags by 90 the output of the DPLL used by the receiver. This makes the received and transmitted bit cells occur simultaneously, neglecting delays. A hardware reset selects the TRxC pin as the source of the transmit clocks.

Table 6–7. Transmit Clock Source

D ₄	D ₃	
0	0	Transmit Clock = RTxC pin
0	1	Transmit Clock = $\overline{\text{TRxC}}$ pin
1	0	Transmit Clock = BRG output
1	1	Transmit Clock = DPLL output

Bit 2: $\overline{\text{TRxC}}$ O/I

This bit determines the direction of the TRxC pin. If this bit is set to '1', the $\overline{\text{TRxC}}$ pin is an output and carries the signal selected by D1 and D0 of this register. However, if either the receive or the transmit clock is programmed to come from the $\overline{\text{TRxC}}$ pin, TRxC will be an input, regardless of the state of this bit. The $\overline{\text{TRxC}}$ pin is also an input if this bit is set to '0'. A hardware reset forces this bit to '0'.

Bits 1 and 0: $\overline{\text{TRxC}}$ Output Source 1 And 0

These bits determine the signal to be echoed out of the SCC via the $\overline{\text{TRxC}}$ pin. No signal is produced if $\overline{\text{TRxC}}$ has been programmed as the source of either the receive or the transmit clock. If $\overline{\text{TRxC}}$ O/I (bit 2) is set to '0', these bits are ignored.

If the XTAL oscillator output is programmed to be echoed, and the XTAL oscillator has not been enabled, the $\overline{\text{TRxC}}$ pin hoes High. The DPLL signal that is echoed is the DPLL signal used by the receiver. Hardware reset selects the XTAL oscillator as the output source.

Table 6–8. Transmit External Control Selection

D ₁	D ₀	
0	0	$\overline{\text{TRxC}}$ = XTAL oscillator output
0	1	$\overline{\text{TRxC}}$ = Transmit Clock
1	0	$\overline{\text{TRxC}}$ = BRG output
1	1	$\overline{\text{TRxC}}$ = DPLL output

6.2.13 Write Register 12 (Lower Byte of Baud Rate Generator Time Constant)

WR12 contains the lower byte of the time constant for the baud rate generator. The time constant can be changed at any time, but the new value does not take effect until the next time the time constant is loaded into the down counter. No attempt is made to synchronize the loading of the time constant into WR12 and WR13 with the clock driving the down counter. For this reason, it is advisable to disable the baud rate generator while the new time constant is loaded into WR12 and WR13. Ordinarily, this is done anyway to prevent a load of the down counter between the writing of the upper and lower bytes of the time constant.

The formula for determining the appropriate time constant for a given baud is shown below with the desired rate in bits per second and the BR clock period in seconds. This formula is derived because the counter decrements from N down to '0'-plus-one-cycle for reloading the time constant and is then fed to a toggle flip-flop to make the output a square wave. Bit positions for WR12 are shown in Figure 6–14.

$$\text{Time Constant} = \left[\frac{1}{2 \cdot (\text{Desired Rate}) \cdot (\text{Baud Rate})} \right] - 2$$

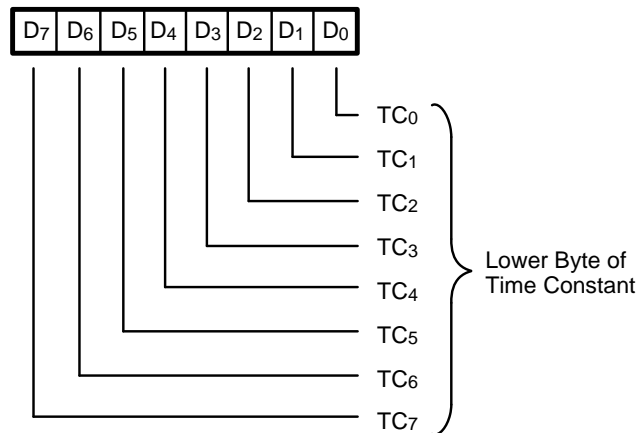


Figure 6–14. Write Register 12

6.2.14 Write Register 13 (Upper Byte of Baud Rate Generator Time Constant)

WR13 contains the upper byte of the time constant for the baud rate generator. Bit positions for WR13 are shown in Figure 6–15.

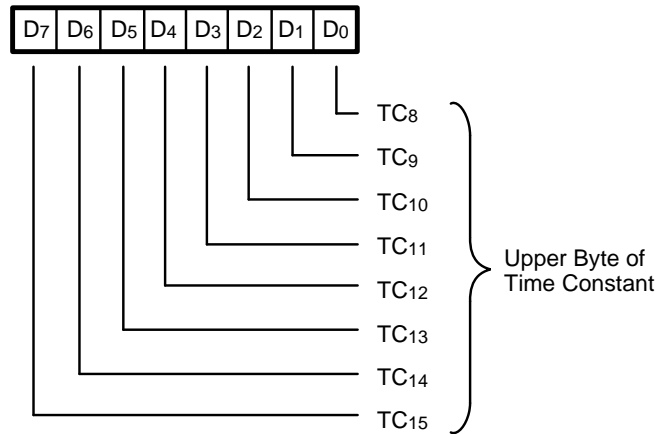


Figure 6–15. Write Register 13

6.2.15 Write Register 14 (Miscellaneous Control Bits)

WR14 contains some miscellaneous control bits. Bit positions for WR14 are shown in Figure 6–16.

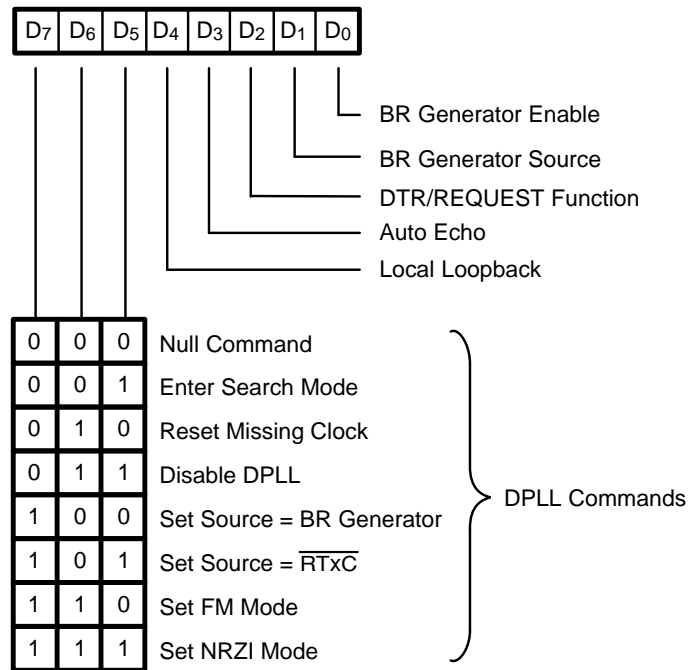


Figure 6–16. Write Register 14

Bits 7 and 5: Digital Phase-Locked Loop Command Bits

These three bits encode the eight commands for the Digital Phase-Locked Loop. A channel or hardware reset disables the DPLL, resets the missing clock latches, sets the source to the $\overline{RTx\overline{C}}$ pin and selects NRZI mode. The Enter Search Mode command enables the DPLL after a reset.

Null Command (000). *This command has no effect on the DPLL.*

Enter Search Mode (001). Issuing this command causes the DPLL to enter the Search mode, where the DPLL searches for a locking edge in the incoming data stream. The action taken by the DPLL upon receipt of this command depends on the operating mode of the DPLL.

In NRZI mode, the output of the DPLL is High while the DPLL is waiting for an edge in the incoming data stream. After the Search mode is entered, the first edge the DPLL sees is assumed to be a valid data edge, and the DPLL begins the clock recovery operation from that point. The DPLL clock rate must be 32 times the data rate in NRZI mode. Upon leaving the Search mode, the first sampling edge of the DPLL occurs 16 of these 32X clocks after the first data edge and the second sampling edge occurs 48 of these 32X clocks after the first data edge. Beyond this point, the DPLL begins normal operation, adjusting the output to remain in sync with the incoming data.

In FM mode, the output of the DPLL is Low while the DPLL is waiting for an edge in the incoming data stream. The first edge the DPLL detects is assumed to be a valid clock edge. For this to be the case, the line must contain only clock edges; i.e., with FM1 encoding, the line must be continuous '0's. With FM0 encoding the line must be continuous '1's, whereas Manchester encoding requires alternating '1's and '0's on the line. The DPLL clock rate must be 16 times the data rate in FM mode. The DPLL output causes the receiver to sample the data stream in the nominal center of the two halves of the bit cell to decide whether the data was a '1' or a '0'. After this command is issued, as in NRZI mode, the DPLL starts sampling immediately after the first edge is detected. (In FM mode, the DPLL examines the clock edge of every other bit cell to decide what correction must be made to remain in sync.) If the DPLL does not see an edge during the expected window, the one clock missing bit in RR10 is set. If the DPLL does not see an edge after two successive attempts, the two clocks missing bit in RR10 is set and the DPLL automatically enters the Search mode. This command resets both clock missing latches.

Reset Clock Missing (010). Issuing this command disables the DPLL, resets the clock missing latches in RR10, and forces a continuous Search mode state.

Disable DPLL (011). Issuing this command disables the DPLL, resets the clock missing latches in RR10, and forces a continuous Search mode state.

Set Source = BR Gen (100). Issuing this command forces the clock for the DPLL to come from the output of the baud rate generator.

Set Source = \overline{RTxC} (101). Issuing this command forces the clock for the DPLL to come from the \overline{RTxC} pin or the crystal oscillator, depending on the state of the XTAL/no XTAL bit in WR11. This mode is selected by a channel or hardware reset.

Set FM Mode (110). This command forces the DPLL to operate in the FM mode and is used to recover the clock from FM or Manchester-encoded data. (Manchester is decoded by placing the receiver in NRZ mode while the DPLL is in FM mode.)

Set NRZI Mode (111). Issuing this command forces the DPLL to operate in the NRZI mode. This mode is also selected by a hardware or channel reset.

Bit 4: Local Loopback

Setting this bit to '1' selects the Local Loopback mode of operation. In this mode, the internal transmitted data are routed back to the receiver, as well as to the \overline{TxD} pin. The \overline{CTS} and \overline{DCD} inputs are ignored as enables in Local Loopback mode, even if Auto Enables is selected. (if so programmed, transitions on these inputs still cause interrupts.) This mode works with any Transmit/Receive mode except Loop mode. For meaningful results, the frequency of the transmit and receive clocks must be the same. This bit is reset by a channel or hardware reset.

Bit 3: Auto Echo

Setting this bit to '1' selects the Auto Enable mode of operation. In this mode, the \overline{TxD} pin is connected to \overline{RxD} , as in Local Loopback mode, but the receiver still listens to the

RxD input. Transmitted data are never seen inside or outside the SCC in this mode, and $\overline{\text{CTS}}$ is ignored as a transmit enable. This bit is reset by a channel or hardware reset.

Bit 2: DTR/Transmit DMA Request Function

This bit selects the function of the $\overline{\text{DTR/REQ}}$ pin. If this bit is set to '0', the $\overline{\text{DTR/REQ}}$ pin follows the inverted state of the DTR bit in WR5. If this bit is set to '1', the $\overline{\text{DTR/REQ}}$ pin goes Low whenever the transmit buffer becomes empty and in any of the synchronous modes when CRC has been sent at the end of a message. The request function on the $\overline{\text{DTR/REQ}}$ pin differs from the transmit request function available on the $\overline{\text{W/REQ}}$ pin in that Request does not go inactive until the internal operation satisfying the request is complete, which occurs four to five PCLK cycles after the rising edge of READ or WRITE. If the DMA used is edge-triggered, this difference is unimportant. This bit is reset by a channel or hardware reset.

Bit 1: Baud Rate Generator Source

This bit selects the source of the clock for the baud rate generator. If this bit is set to '0', the baud rate generator clock comes from either the $\overline{\text{RTxC}}$ pin or the XTAL oscillator (depending on the state of the XTAL/no XTAL bit). If this bit is set to '1', the clock for the baud rate generator is the SCC's PCLK input. Hardware reset sets this bit to '0', selecting the $\overline{\text{RTxC}}$ pin as the clock source for the baud rate generator.

Bit 0: Baud Rate Generator Enable

This bit controls the operation of the baud rate generator. The counter in the baud rate generator is enabled for counting when this bit is set to '1', and counting is inhibited when this bit is set to '0'. When this bit is set to '1', change in the state of this bit is not reflected by the output of the baud rate generator for two counts of the counter. This allows the command to be synchronized. However, when set to '0', disabling is immediate. This bit is reset by a hardware reset.

6.2.16 Write Register 15 (External/Status Interrupt Control)

WR15 is the External/Status source control register. If the External/Status interrupts are enabled as a group via WR1, bits in this register control which External/Status conditions can cause an interrupt. Only the External/Status conditions that occur after the controlling bit is sent to '1', will cause an interrupt. This is true even if an External/Status condition is pending at the time the bit is set. Bit positions for WR15 are shown in Figure 6–17.

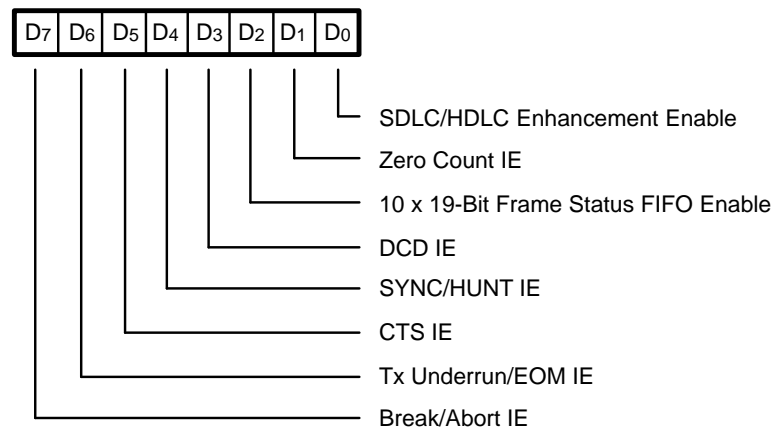


Figure 6–17. Write Register 15

Bit 7: Break/Abort IE

If this bit is set to '1', a change in the Break/Abort status of the receiver causes an External/Status interrupt. This bit is set by a channel or hardware reset.

Bit 6: Tx Underrun/EOM

If this bit is set to '1', a change of state by the Tx Underrun/EOM latch in the transmitter causes an External/Status interrupt. This bit is set to '1' by a channel or hardware reset.

Bit 5: CTS IE

If this bit is set '1', a change of state on the $\overline{\text{CTS}}$ pin causes an External/Status interrupt. This bit is set by a channel or hardware reset.

Bit 4: SYNC/Hunt IE

If this bit is set to '1', a change of state on the $\overline{\text{SYNC}}$ pin causes an External/Status interrupt in Asynchronous mode, and a change of state in the Hunt bit in the receiver causes an External/Status interrupt in synchronous modes. This bit is set by a channel or hardware reset.

Bit 3: DCD IE

If this bit is set to '1', a change of state on the $\overline{\text{DCD}}$ pin causes an External/Status interrupt. This bit is set by a channel or hardware reset.

Bit 2 10x19-Bit Frame Status FIFO Enable

If this bit is set to '1', the 10X19-bit FIFO array and 14-bit counter are available for use but only if the SCC is programmed in SDLC mode.

Bit 1: Zero Count IE

If this bit is set to '1', an External/Status interrupt is generated whenever the counter in the baud rate generator reaches '0'. This bit is set to '0' by a channel or hardware reset.

Bit 0: SDLC/HDLC Enhancement Enable

If this bit is set to '1', WR7' can be accessed as WR7' to allow the use of special SDLC/HDLC options. Refer to WR7' for details.

6.3 READ REGISTERS

The SCC contains nine read registers in each channel. The status of these registers is continually changing and depends on the mode of communication, received and transmitted data, and the manner in which this data is transferred to and from the CPU. The following description details the bit assignments for each register.

6.3.1 Read Register 0 (Transmit/Receive Buffer Status and External Status)

Read Register 0 contains the status of the receive and transmit buffers. RR0 also contains the status bits for the six sources of External/Status interrupts. The bit configuration is illustrated in Figure 6–18.

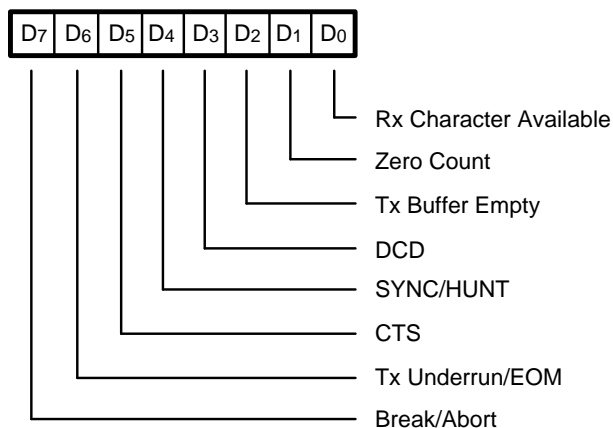


Figure 6–18. Read Register 0

Bit 7: Break/Abort

In the Asynchronous mode, this bit is set when a Break sequence (null character plus framing error) is detected in the receive data stream. This bit is reset when the sequence is terminated, leaving a single null character in the receive FIFO. This character should be read and discarded. In SDLC mode, this bit is set by the detection of an Abort sequence (seven or more '1's), then reset automatically at the termination of the Abort sequence. In either case, if the Break/Abort IE bit is set, an External/Status interrupt is initiated. Unlike the remainder of the External/Status bits, both transitions are guaranteed to cause an External/Status interrupt, even if another External/Status interrupt is pending at the time these transitions occur. This procedure is necessary because Abort or Break conditions may not persist.

Bit 6: TX Underrun/EOM

This bit is set by a channel or hardware reset and when the transmitter is disabled or a Send Abort command is issued. This bit can be reset only by the reset Tx Underrun/EOM Latch command in WR0. When the Transmit Underrun occurs, this bit is set and causes an External/Status interrupt (if the Tx Underrun/EOM IE bit is set).

Only the 0-to-1 transition of this bit causes an interrupt. This bit is always '1' in Asynchronous mode, unless a reset Tx Underrun/EOM Latch command has been erroneously issued. In this case, the Send Abort command can be issued to set the bit to '1' and at the same time cause an External/Status interrupt.

Bit 5: Clear to Send

If the CTS IE bit in WR15 is set, this bit indicates the state of the $\overline{\text{CTS}}$ pin the last time any of the enabled External/Status bits changed. Any transition on the $\overline{\text{CTS}}$ pin while no other interrupt is pending latches the state of the $\overline{\text{CTS}}$ pin and generates an External/Status interrupt. Any odd number of transitions on the CTS pin while another External/Status interrupt is pending also causes an External/Status interrupt condition. If the CTS IE bit is reset, it merely reports the current unlatched state of the $\overline{\text{CTS}}$ pin (i.e., if $\overline{\text{CTS}}$ pin is Low, this bit will be High).

Bit 4: SYNC/Hunt

The operation of this bit is similar to that of the $\overline{\text{CTS}}$ bit, except that the condition monitored by the bit varies depending on the mode in which the SCC is operating.

When the XTAL oscillator option is selected in asynchronous modes, this bit is forced to '0' (no External/Status interrupt is generated). Selecting the XTAL oscillator in synchronous or SDLC modes has no effect on the operation of this bit.

The XTAL oscillator should not be selected in External Sync mode.

In Asynchronous mode, the operation of this bit is identical to that of the CTS status bit, except that this bit reports the state of the $\overline{\text{SYNC}}$ pin.

In External sync mode the $\overline{\text{SYNC}}$ pin is used by external logic to signal character synchronization. When the Enter Hunt Mode command is issued in External Sync mode, the SYNC pin must be held High by external sync logic until character synchronization is achieved. A High on the $\overline{\text{SYNC}}$ pin holds the Sync/Hunt bit in the reset condition.

When external synchronization is achieved, $\overline{\text{SYNC}}$ must be driven Low on the second rising edge of the Receive Clock after the last rising edge of the Receive Clock on which the last bit of the receive character was received. Once $\overline{\text{SYNC}}$ is forced Low, it is good practice to keep it Low until the CPU informs the external sync logic that synchronization has been lost or that a new message is about to start. Both transitions on the $\overline{\text{SYNC}}$ pin cause External/Status interrupts if the Sync/Hunt IE bit is set to '1'.

The Enter Hunt Mode command should be issued whenever character synchronization is lost. At the same time, the CPU should inform the external logic that character synchronization has been lost and that the SCC is waiting for SYNC to become active.

In the Monosync and Bisync Receive modes, the Sync/Hunt status bit is initially set to '1' by the Enter Hunt Mode command. The Sync/Hunt bit is reset when the SCC establishes character synchronization. Both transitions cause External/Status interrupts if the Sync/Hunt IE bit is set when the CPU detects the end of message or the loss of character synchronization. When the CPU detects the end of message or the loss of character synchronization, the Enter Hunt Mode command should be issued to set the Sync/Hunt bit and cause an External/Status interrupt. In this mode, the $\overline{\text{SYNC}}$ pin is an output, which goes Low every time a sync pattern is detected in the data stream.

In the SDLC modes, the Sync/Hunt bit is initially set by the Enter Hunt Mode command or when the receiver is disabled. It is reset when the opening flag of the first frame is detected by the SCC. An External/Status interrupt is also generated if the Sync/Hunt IE bit is set. Unlike the Monosync and Bisync modes, once the Sync/Hunt bit is reset in SDLC mode, it does not need to be set when the end of the frame is detected. The SCC automatically maintains synchronization. The only way the Sync/Hunt bit can be set again is by the Enter Hunt Mode command or by disabling the receiver.

Bit 3: Data Carrier Detect

If the DCD IE bit in WR 15 is set, this bit indicates the state of the $\overline{\text{DCD}}$ pin the last time the Enabled External/Status bits changed. Any transition on the $\overline{\text{DCD}}$ pin while no interrupt is pending latches the state of the $\overline{\text{DCD}}$ pin and generates an External/Status interrupt. Any odd number of transitions on the $\overline{\text{DCD}}$ pin while another External/Status interrupt is pending also causes an External/Status interrupt condition. If the DCD IE is reset, this bit merely reports the current, unlatched state of the $\overline{\text{DCD}}$ pin.

Bit 2: TX Buffer Empty

This bit is set to '1' when the transmit buffer is empty. It is reset while CRC is sent in a synchronous or SDLC mode and while the transmit buffer is full. The bit is reset when a character is loaded into the transmit buffer. This bit is always in the set condition after a hardware or channel reset.

Bit 1: Zero Count

If the Zero Count Interrupt Enable bit is set in WR15, this bit is set to one while the counter in the baud rate generator is at the count zero. If there is no other External/Status interrupt condition pending at the time this bit is set, an External/Status interrupt is generated. However, if there is another External/Status interrupt pending at this time, no interrupt is initiated until interrupt service is complete. If the Zero Count condition does not persist beyond the end of the interrupt service routine, no interrupt will be generated. This bit is not latched High, even though the other External/Status latches close as a result of

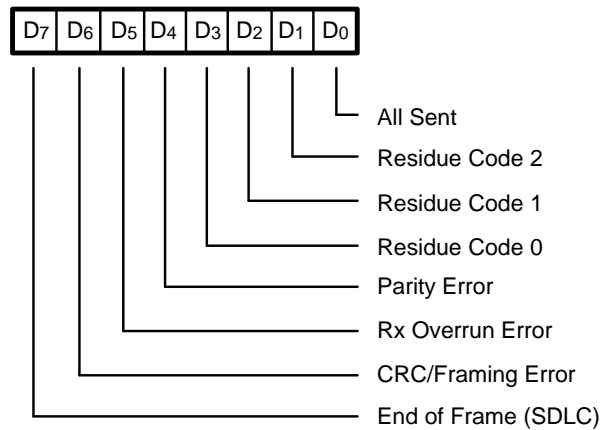
the Low-to-High transition on ZC. The interrupt service routing should check the other External/Status conditions for changes. If none changed, ZC was the source. In polled applications, check the IP bit in RR3A for a status change and then proceed as in the interrupt service routine.

Bit 0: RX Character Available

This bit is set to '1' when at least one character is available in the receive FIFO and is reset when the receive FIFO is completely empty. A channel or hardware reset empties the receive FIFO.

6.3.2 Read Register 1

RR1 contains the Special Receive Condition status bits and the residue codes for the I-Field in SDLC mode. Figure 6–19 shows the bit positions for RR1.



* Modified in B Channel.

Figure 6–19. Read Register 1

Bit 7: End of Frame (SDLC)

This bit is used only in SDLC mode and indicates that a valid closing flag has been received and that the CRC Error bit and residue codes are valid. This bit can be reset by issuing the Error Reset command. It is also updated by the first character of the following frame. This bit is reset in any mode other than SDLC.

Bit 6: CRC/Framing Error

If a framing error occurs (in Asynchronous mode), this bit is set (and not latched) for the receive character in which the framing error occurred. Detection of a framing error adds an additional one-half bit to the character time so that the framing error is not interpreted as a new Start bit. In Synchronous and SDLC modes, this bit indicates the result of comparing the CRC checker to the appropriate check value. This bit is reset by issuing an Error Reset command, but the bit is never latched. Therefore, it is always updated when the next character is received. When used for CRC error status in Synchronous or SDLC modes, this bit is usually set since most bit combinations, except for a correctly completed message, result in a non-zero CRC.

The CRC bit is valid only if CRC is enabled and if the second byte of the CRC is at the top of the receive data FIFO. IF the Frame Status FIFO is enabled and contains at least one frame of data, then the CRC bit of the Frame Status FIFO (note that this register is physically different from the standard RR1) will be valid. Note that the CRC bytes could

have been read out by a DMA controller independently from the CPU but the CRC status is still available in the Frame Status FIFO.

Bit 5: Receiver Overrun Error

This bit indicates that the receive FIFO has overflowed. Only the character that has been written over is flagged with this error, and when the character is read, the Error condition is latched until reset by the Error Reset command. The overrun character and all subsequent characters received until the Error Reset command is issued causes a Special Receive Condition vector to be returned.

Bit 4: Parity Error

When parity is enabled, this bit is set for the characters whose parity does not match the programmed sense (even/odd). This bit is latched so that once an error occurs, it remains set until the Error Reset command is issued. If the parity in Special Condition bit is set, a parity error causes a Special Receive Condition vector to be returned on the character containing the error and on all subsequent characters until the Error Reset command is issued.

Bits 3, 2, and 1: Residue Codes 2, 1, And 0

In those cases in SDLC mode where the received I-Field is not an integral multiple of the character length, these three bits indicate the length of the I-Field and are meaningful only for the transfer in which the end of frame bit is set. This field is set to “011” by a channel or hardware reset and is forced to this state in Asynchronous mode. These three bits can leave this state only if SDLC is selected and a character is received. The codes signify the following (reference Table 6–9) when a receive character length is eight bits per character.

I-Field bits are right-justified in all cases. If a receive character length other than eight bits is used for the I-Field, a table similar to Table 6–9 can be constructed for each different character length. Table 6–10 shows the residue codes for no residue (the I-Field boundary lies on a character boundary).

Table 6–9. I-Field Bit Selection (8 Bits Only)

Residue 0	Residue 1	Residue 2	I-Field Bits in Last Byte	I-Field Bits in Previous Byte
1	0	0	0	3
0	1	0	0	4
1	1	0	0	5
0	0	1	0	6
1	0	1	0	7
0	1	1	0	8
1	1	1	1	8
0	0	0	2	8

Table 6–10. Residue Bits/Character

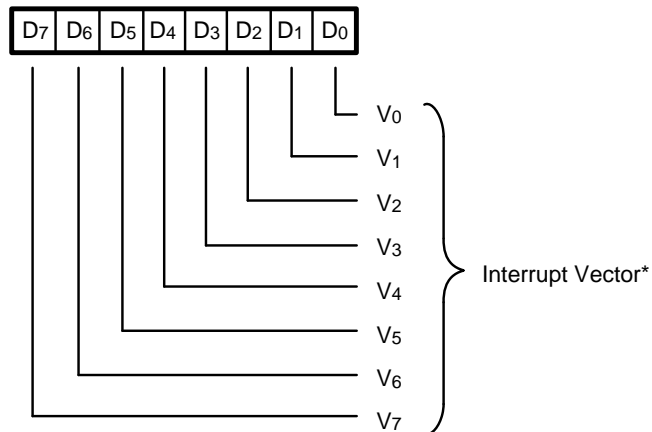
Bits/Char	Residue 0	Residue 1	Residue 2
8	0	1	1
7	0	0	0
6	0	1	0
5	0	0	1

Bit 0: All Sent

In Asynchronous mode, this bit is set when all characters have completely cleared the transmitter. Most modems contain additional delays in the data path, which require the modem control signals remain active until after the data have cleared both the transmitter and the modem. This bit is always set in synchronous and SDLC modes.

6.3.3 Read Register 2

RR2 contains the interrupt vector written into WR2. When the register is accessed in Channel A, the vector returned is the vector actually stored in WR2. When this register is accessed in Channel B, the vector returned includes status information in bits 1, 2, and 3 or in bits 6, 5, and 4, depending on the state of the Status High/Status Low bit in WR9 and independent of the state of VIS bit in WR9. The vector is modified according to Table 6–4 shown in the explanation of the VIS bit in WR9. If no interrupts are pending, the status is V3, V2, V1 = 011, or V6, V5, V4 = 110. Only one vector register exists in the SCC, but it can be accessed through either channel. Figure 6–20 shows the bit positions for RR2.



*Modified in B Channel

Figure 6–20. Read Register 2

6.3.4 Read Register 3

RR3 is the Interrupt Pending register. The status of each of the Interrupt Pending bits in the SCC is reported in this register. This register exists only in Channel A. If this register is accessed in Channel B, all '0's are returned. The two unused bits are always returned as '0'. Figure 6–21 shows the bit positions for RR3.

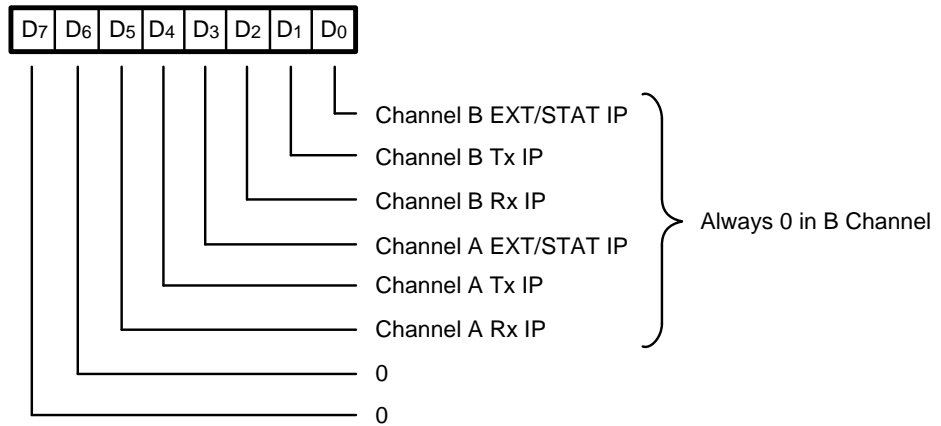


Figure 6–21. Read Register 3

6.3.5 Read Register 6

When the SCC is programmed for SDLC operation and bit D2 of WR15 is set to '1', RR6 contains the LSB of a frame byte count stored in the 10x19-bit FIFO array as shown in Figure 6–22.

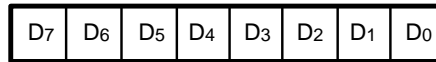


Figure 6–22. Read Register 6

6.3.6 Read Register 7

When the SCC is programmed for SDLC operation and bit D2 of WR15 is set to '1', RR7 contains the MSB of a frame byte count stored in the 10x19-bit FIFO array, and provides FIFO status via bits D7 and D6 as shown in Figure 6–23. Bit D7 is set to '1' when the 10x19-bit FIFO overflows; otherwise it is set to '0'. Bit D6 is used to determine if status data will be from the FIFO or directly from the 8-bit Status FIFO (RR1). This bit is set to '1' whenever the 10x19-bit FIFO is not empty; otherwise it is '0'.

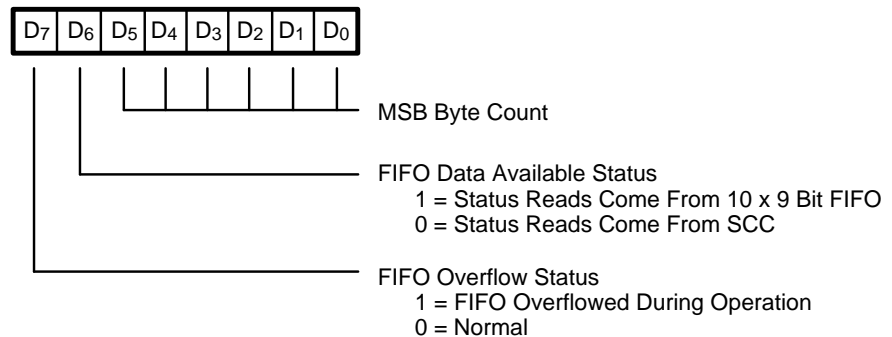


Figure 6–23. Read Register 7

6.3.7 Read Register 8

RR8 is the Receive Data register.

6.3.8 Read Register 10

RR10 contains some miscellaneous status bits. Unused bits are always '0'. Bit positions for RR10 are shown in Figure 6–24.

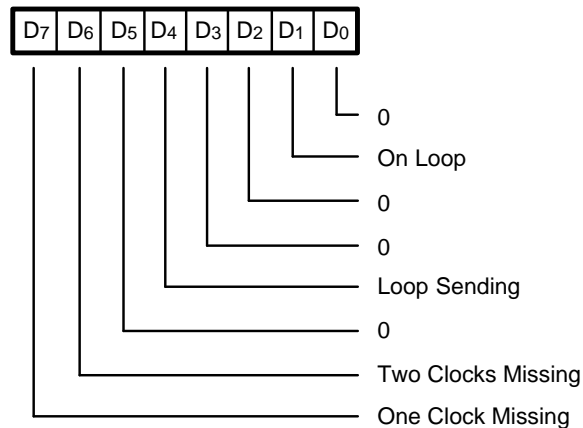


Figure 6–24. Read Register 10

Bit 7: One Clock Missing

While operating in the FM mode, the DPLL sets this bit to '1' when it does not see a clock edge on the incoming lines in the window where it expects one. This bit is latched until reset by a Reset Missing Clock or Enter Search Mode command in WR14. In the NRZI mode of operation and while the DPLL is disabled, this bit is always '0'.

Bit 6: Two Clocks Missing

While operating in the FM mode, the DPLL sets this bit to '1' when it does not see a clock edge in two successive tries. At the same time the DPLL enters the Search mode. This bit is latched until reset by a Reset Missing Clock or Enter Search Mode command in WR14. In the NRZI mode of operation and while the DPLL is disabled, this bit is always '0'.

Bit 4: Loop Sending

This bit is set to '1' in SDLC Loop mode while the transmitter is in control of the Loop, that is, while the SCC is actively transmitting on the loop. This bit is reset at all other times.

This bit can be polled in SDLC mode to determine when the closing flag has been sent.

Bit 1: On Loop

This bit is set to '1' while the SCC is actually on-loop in SDLC Loop mode. This bit is set to '1' in the X21 mode (Loop mode selected while in monosync) when the transmitter goes active. This bit is '0' at all other times. This bit can also be polled in SDLC mode to determine when the closing flag has been sent.

6.3.9 Read Register 12

RR12 returns the value stored in WR12, the lower byte of the time constant for the baud rate generator. Figure 6–25 shows the bit positions for RR12.

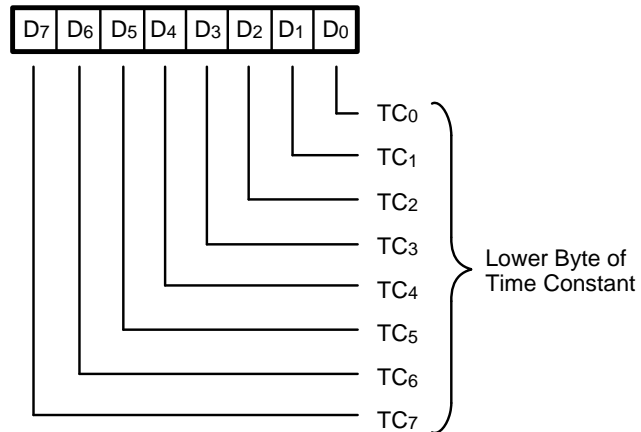


Figure 6–25. Read Register 12

6.3.10 Read Register 13

RR13 returns the value stored in WR13, the upper byte of the time constant for the baud rate generator. Figure 6–26 shows the bit positions for RR13.

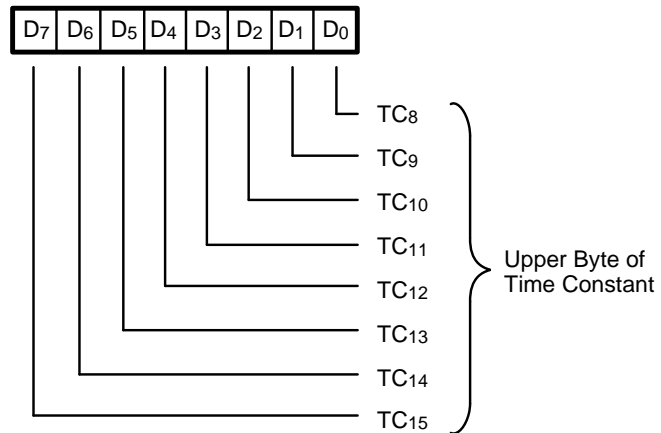


Figure 6–26. Read Register 13

6.3.11 Read Register 15

RR15 reflects the value stored in WR15, the External/Status IE bits. The unused bit is always returned as '0' unless the corresponding bits in WR15 have been set to '1'. In the NMOS SCC, bits D₀ and D₂ always read 0. Figure 6–27 shows the bit positions for RR15.

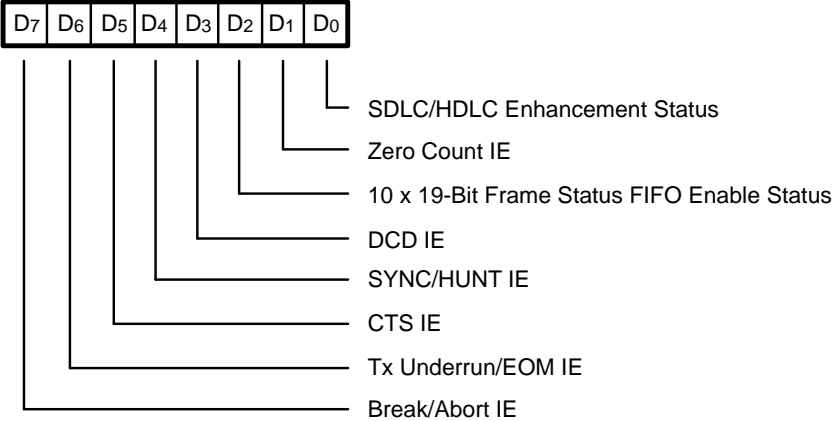


Figure 6–27. Read Register 15



CHAPTER 7

SCC Application Notes

7.1	Am8530H Initialization	7-3
7.1.1	Introduction	7-3
7.1.1.1	Register Overview	7-3
7.1.1.2	Initialization Procedure	7-4
7.1.1.3	Initialization Table Generation	7-6
7.1.1.4	Reset Conditions	7-6
7.2	Polled Asynchronous Mode	7-7
7.2.1	Introduction	7-7
7.2.2	SCC Interface	7-8
7.2.3	SCC Initialization	7-8
7.2.3.1	SCC Operating Mode Programming	7-9
7.2.3.2	SCC Operating Mode Enables	7-10
7.2.4	Transmit and Receive Routines	7-10
7.3	Interrupt Without Intack Asynchronous Mode	7-11
7.3.1	Introduction	7-11
7.3.2	SCC Interface	7-11
7.3.3	SCC Initialization	7-11
7.3.3.1	SCC Operating Modes Programming	7-12
7.3.3.2	SCC Operating Mode Enables	7-13
7.3.3.3	SCC Operating Mode Interrupts	7-13
7.3.4	Interrupt Routine	7-14
7.4	Interfacing to the 8086/80186	7-15
7.4.1	8086 (Also Called iAPX86) Overview	7-15
7.4.1.1	The 8086 and Am8530H Interface	7-15
7.4.1.2	Initialization Routines	7-18
7.5	Interfacing to the 68000	7-20
7.5.1	68000 Overview	7-20
7.5.2	The 68000 and Am8530H Without Interrupts	7-21
7.5.3	The 68000 and Am8530H With Interrupts	7-23
7.5.4	The 68000 and Am8530H With Interrupts via a PAL Device	7-25
7.6	Am7960 and Am8530H Application	7-26
7.6.1	Distributed Data Processing Overview	7-26
7.6.2	Data Communications at the Physical Layer	7-27
7.6.3	Hardware Considerations	7-28
7.6.4	Software Considerations	7-32



SCC Application Notes

7.1 Am8530H INITIALIZATION

7.1.1 Introduction

This application note describes the software initialization procedure for the Am8530 Serial Communications Controller (SCC).

Table 7–1 provides a worksheet that can be used as an aid when initializing the SCC. Since all SCC operation modes are initialized in a similar manner, the worksheet can be used to tailor the SCC device to the user's individual need. Specific examples are given in the following chapters.

7.1.1.1 Register Overview

Each of the SCC's two channels has its own separate Write registers that are programmed to initialize different operating modes. There are two types of bits in the Write registers: Command bits and Mode bits. An example of a register that contains both types of bits is Write Register 9 (WR9), and is shown in Figure 7–1.

WR9 is the Master Interrupt Control register and contains the Reset command bits. Command bits are denoted by having boxes drawn around them in register diagrams. Bit D5 in this register is not used in this register and must be 0 at all times.

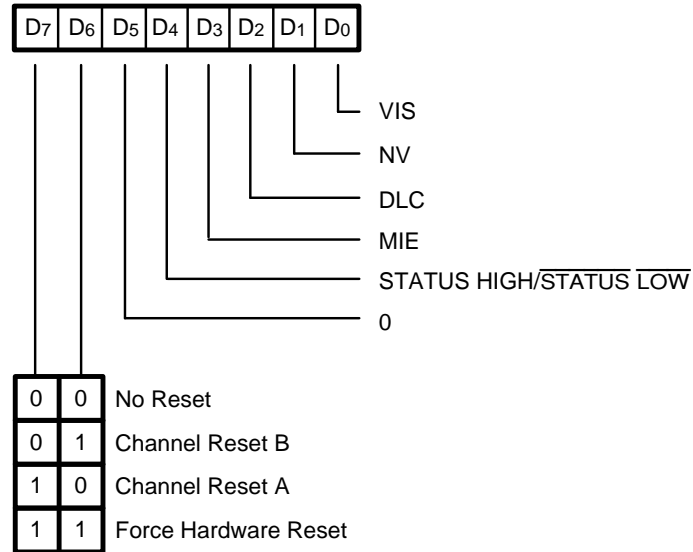


Figure 7–1. Write Register 9

The Command bits, D7 and D6, select one of the reset commands for the SCC. Setting either of these bits to 1 disables both the receiver and the transmitter in the corresponding channel, forces TxD for the channel marking, forces the modem control signals High in that channel, resets all IPs and IUSs, and disables all interrupts in that channel. Functions controlled by the Command bits can be enabled or disabled only; they cannot be toggled.

Bits D4–D0 are Mode bits that can be enabled or disabled either by being set to ‘1’ or reset to ‘0’. Each Mode bit affects only one function. For example, Bit D1 is the No Vector mode bit; it controls whether or not the SCC will respond to an interrupt acknowledge cycle by placing a vector on the data bus. If this bit is set, no vector is returned. In Command bits entry, each new command requires a separate rewrite of the entire register. Care must be taken when issuing a command so that the Mode bits are not changed accidentally.

7.1.1.2 Initialization Procedure

The SCC initialization procedure is divided into three parts. The first part consists of programming the operation modes (e.g., bits-per-character, parity) and loading the constants (e.g., interrupt vector, time constants). The second part enables the hardware functions (e.g., transmitter, receiver, baud-rate generator). It is important that the operating modes are programmed before the hardware functions are enabled. The third part, if required, consists of enabling the different interrupts.

Table 7–2 shows the order (from top to bottom) in which the SCC registers are to be programmed. Those registers that need not be programmed are listed as optional in the comments column. The bits in the registers that are marked with an ‘X’ are to be programmed by the user. The bits marked with an ‘S’ are to be set to their previous programmed value. For example, in part 2, Write Register 3, bits D1–D7 are shown with an ‘S’ because they have been programmed in part 1 and must remain set to the same value.

Table 7-1. SCC Initialization Worksheet

	Register	HEX		Binary								Comments		
				7	6	5	4	3	2	1	0			
Modes	WR9	C	0	1	1	0	0	0	0	0	0	0	0	Software Reset
	WR0	0		0	0	0	0	0	0					
	WR4													
	WR1			0			0	0		0	0			
	WR2													
	WR3												0	
	WR5							0						
	WR6													
	WR7													
	WR9			0	0	0		0						
	WR10													
	WR11													
	WR12													
	WR13													
	WR14												0	
	WR14												0	
Enables	WR14			0	0	0							1	
	WR3												1	
	WR5							1						
	WR0	8	0	1	0	0	0	0	0	0	1	0		Reset TxCRC
WR1														
Interrupt	WR15													
	WR0	1	0	0	0	0	1	0	0	0	0	0		Reset Ext/Status
	WR0	1	0	0	0	0	1	0	0	0	0	0		Reset Ext/Status
	WR1													
	WR9			0	0	0								

Table 7–2. SCC Initialization Order

Part 1. Modes and Constants	
WR9	1100000 Hardware Reset
WR4	XXXXXXXX Tx/Rx con, Aysnc or Sync Mode
WR1	0XX00X00 Select W/REQ (opt)
WR2	XXXXXXXX Program Interrupt Vector (opt)
WR3	XXXXXXXX0 Select Rx Control
WR5	XXXX0XXX Select Tx Control
WR6	XXXXXXXX Program sync character (opt)
WR7	XXXXXXXX Program sync character (opt)
WR9	000X0XXX Select Interrupt Control
WR10	XXXXXXXX Miscellaneous Control (opt)
WR11	XXXXXXXX Clock Control
WR12	XXXXXXXX Time constant lower byte (opt)
WR13	XXXXXXXX Time constant upper byte (opt)
WR14	XXXXXXXX0 Miscellaneous Control
WR14	XXXSSSSS Commands (opt)
Part 2. Enables	
WR14	000SSSS1 Baud Rate Enable
WR3	SSSSSSS1 Rx Enable
WR5	SSSS1SSS Tx Enable
WR0	10000000 Reset Tx CRG (opt)
WR1	XSS00S00 DMA Enable (opt)
Part 3. Interrupt Status	
WR15	XXXXXXXX Enable External/Status
WR0	00010000 Reset External Status
WR0	00010000 Reset External Status twice
WR1	SSSXXSXX Enable Rx, Tx and Ext/Status
WR9	000SXSSS Enable Master Interrupt Enable

1 = Set to one X = User defined
 0 = Reset to zero S = Same as previously
 prog.

7.1.1.3 Initialization Table Generation

Table 7–1 as shown previously, is a worksheet for the initialization of the SCC. All the bits that must be programmed as either a '0' or a '1' are already filled in; the remaining bits are left blank and are to be programmed by the user according to the desired mode of operation. The binary value can then be converted to a hexadecimal number and placed in the table, following the Write register notation in the column labeled "HEX." A Program Initialization Table is produced when this worksheet is completed.

7.1.1.4 Reset Conditions

Prior to initialization, the SCC should be reset by either hardware or software. A hardware reset can be accomplished by simultaneously grounding RD and WR. A software reset can be executed by writing a C0H to Write Register 9. After one channel has been initialized, a channel reset should be used in place of the hardware reset in the initialization. The state of the SCC registers, after reset, is shown in Table 7–3. Before writing to the SCC, a read should be performed to guarantee the internal logic is pointing to Register 0.

7.2 POLLED ASYNCHRONOUS MODE

7.2.1 Introduction

This section describes the use of the SCC in polled Asynchronous mode. The device can be set with 5 to 8 bits per character, 1, 1-1/2, or 2 stop bits, and a wide range of baud rates. In this particular example, 8 bits per character, 2 stop bits and 9600 baud rate are used. An external 2.4576 MHz, crystal oscillator is used for baud-rate generation. The SCC can be programmed for local loopback for on-board diagnostics. The user can make use of this feature to test-program the part without additional hardware to simulate an actual transmit and receive environment.

Table 7-3. SCC Register Reset Values

Register	Hardware Reset								Channel Reset							
	7	6	5	4	3	2	1	0	7	6	5	4	3	2	1	0
WR0	0	0	0	0	0	0	0	0	0	0	0	0	0	0	0	0
WR1	0	0		0	0		0	0	0	0		0	0		0	0
WR2																
WR3								0								0
WR4						1								1		
WR5	0			0	0	0	0		0			0	0	0	0	
WR6																
WR7																
WR9	1	1	0	0	0	0					0					
WR10	0	0	0	0	0	0	0	0	0	0			0	0	0	0
WR11	0	0	0	0	1	0	0	0								
WR12																
WR13																
WR14			1	0	0	0	0	0			1	0	0	0		
WR15	1	1	1	1	1	0	0	0	1	1	1	1	1	0	0	0
RR0	0	1				1	0	0	0	1				1	0	0
RR1	0	1	0	0	0	1	1	0	0	0	0	0	0	1	1	0
RR3	0	0	0	0	0	0	0	0	0	0	0	0	0	0	0	0
RR10	0	0	0	0	0	0	0	0	0	0	0	0	0	0	0	0

7.2.2 SCC Interface

Figure 7-2 shows the SCC to CPU interface required for this application. The 8-bit data bus and control lines all come from the user's CPU. The Am8530 control lines are \overline{RD} , \overline{WR} , A/\overline{B} , D/\overline{C} and \overline{CE} . PCLK comes from the system clock, or an external crystal, up to the maximum rate of the SCC. The IEI and the \overline{INTACK} pins should be pulled up. The baud-rate generator clock is connected to the \overline{RTxC} pin.

7.2.3 SCC Initialization

Initialization of the SCC for polled asynchronous communication is divided into two parts; part one programs the operating modes of the SCC and part two enables them (refer to Table 7-4). Care must be taken when writing the software to meet the SCC's Cycle and Reset Recovery times. The Cycle Recovery time, 6 PCLK cycles, applies to the period between any Read or Write cycles affecting the SCC. The Reset Recovery time is the period after a hardware reset caused either by hardware or software; this recovery time extends the Cycle Recovery time to 11 PCLK cycles.

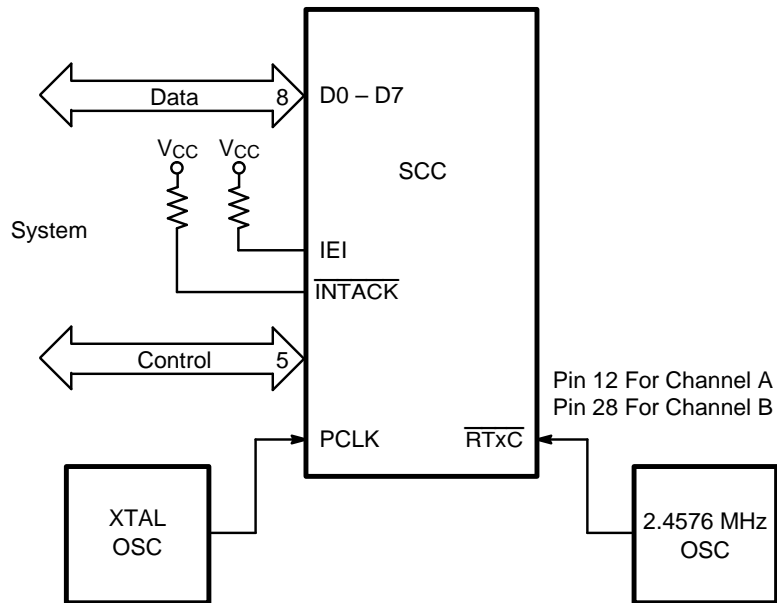


Figure 7-2. SCC Interface

Table 7-4. Polled Asynchronous Initialization Procedure

Register	Value	Comments
WR9	C0H	Force Hardware Reset
WR4	4CH	x16 clock, 2 stop bits, no parity
WR3	C0H	Rx 8 bits, Rx disabled
WR5	60H	Tx 8 bits, DTR, RTS, Tx off
WR9	00H	Int. Disabled
WR10	00H	NRZ
WR11	56H	Tx & Rx = BRG out, TRxC = BRG out
WR12	06H	Time constant = 6
WR13	00H	Time constant high = 0
WR14	10H	BRG in = \overline{RTxC} , BRG off, loopback
Enables		
WR14	11H	BRG enable
WR3	C1H	Rx enable
WR5	68H	Tx enable

7.2.3.1 SCC Operating Mode Programming

WR9 resets the SCC to a known state by writing a C0 hex. The Force Hardware Reset command is identical to a hardware reset. It will reset both channels.

WR4 selects the Asynchronous, x 16 mode, with 2 stop bits and no parity. The x 16 mode means that clock rate is 16 times the data rate.

WR3 selects 8 bits per character and does not enable the receive. The 8 bits per character allows 8 bits to be assembled from the data stream. The receiver is not enabled at this time because the SCC has not been initialized.

WR5 selects 8 bits per character and does not enable the transmitter. The 8 bits per character allows 8 bits to be sent, as data, with the least significant bit first. The transmitter is not enabled at this time because the SCC has not been initialized.

WR9 selects that there are no interrupts enabled. This inhibits the SCC from requesting an interrupt from the CPU.

WR10 selects NRZ encoding. This NRZ coding is used on the transmitter as well as the receiver.

WR11 selects the \overline{RTxC} pin to TTL clock; the baud-rate generator is the transmit and receive clocks source, and the \overline{TRxC} pin is used as a baud-rate generator output.

WR12 & WR13 select the baud-rate generator's time constant. The WR13 time constant is determined by the equation:

$$\text{Time Constant} = \left[\frac{\text{Clock Frequency}}{2 \times \text{Baud Rate} \times \text{clock mode}} \right] - 2$$

In this example, the clock frequency is 2.4576 MHz, the baud rate is 9600, the clock mode is 16. The time constant is, therefore, 6; expressed as a 16-bit, hexadecimal number, it is 0006H. The time constant Low (WR12) is, therefore 06H and the time constant High (WR13) is 00H. The baud rate for this example can be varied, as long as the data rate is less than 1/4 of the PCLK rate. Table 7-5 shows the time constants for other common baud rates.

Table 7–5. Time Constants for Common Baud Rates

Baud Rate	Dec	Divider	Hex
38400	0		0000H
19200	2		0002H
9600	6		0006H
4800	14		000EH
2400	30		001EH
1200	62		003EH
600	126		007EH
300	254		00FEH
150	510		01FEH

For 2.4576 MHz Clock, X16 Clock Mode

WR14 selects the baud-rate generator as the \overline{RTxC} pin, baud-rate generator disabled, and internal loopback. The baud-rate generator uses the \overline{RTxC} pin as the clock source and is not enabled at this time because the SCC initialization is not complete.

7.2.3.2 SCC Operating Mode Enables

WR14 enables the baud-rate generator. Bit 0 (LSB) is changed to a '1' to enable the baud-rate generator; all other bits must maintain the value selected during initialization.

WR3 enables the receiver. Bit 0 (LSB) is changed to a '1' to enable the receiver; all other bits must maintain the value selected during initialization.

WR5 enables the transmitter. Bit 3 is changed to a '1' to enable the transmitter; all other bits must maintain the value selected during initialization.

7.2.4 Transmit and Receive Routines

After initialization, and after all enables have been selected, the SCC is ready for communication. The transmitter buffer and the receive FIFO are empty. The example shown below is coded to transmit and receive characters.

```

;Transmit a character
TXCHAR:INPUT  RRO    ;Read RRO
            TEST    BIT2 ;Test transmit
                        buffer empty
            JZ      TXCHAR;Loop if not empty
            OUTPUT CHAR ;Output character to
                        data port
            RET      ;Return

;Receive a character
RXCHAR:INPUT  RRO    ;Read RRO
            TEST    BIT 0 ;Test Receive
buffer
            JZ      RXCHAR;Loop if not full
            INPUT  CHAR ;Input character
                        from data port
            RET      ;Return
    
```

Figure 7–3. Transmit and Receive Routine

7.3 INTERRUPT WITHOUT INTACK ASYNCHRONOUS MODE

7.3.1 Introduction

This section describes the use of the SCC for interrupt-driven Asynchronous mode. As with the example in the previous chapter, the SCC is set with 8 bits per character, 2 stop bits, at 9600 baud rate. An external 2.4576 MHz, crystal oscillator is used for baud-rate generation. Interrupt acknowledge is not generated because of the extra hardware required to produce this signal. In this chapter, the SCC is also programmed for local loop-back so that no external loop between the transmit and the receive data lines is needed for on-board diagnostics. This feature allows the user to test-program the part without additional hardware to simulate an actual transmit and receive environment.

7.3.2 SCC Interface

Figure 7-4 shows the SCC to CPU interface required for this application. The 8-bit data bus and control lines all come from the user's CPU. The control lines are \overline{RD} , \overline{WR} , A/\overline{B} , D/\overline{C} and \overline{CE} . The \overline{INT} signal goes to an interrupt controller which must produce the interrupt vector to the CPU. The PCLK comes from the system clock, or an external crystal oscillator, up to the maximum rate of the SCC (e.g., 6 MHz for the Am8530A). The IEI and the \overline{INTACK} pins should be pulled up. The baud-rate generator clock is connected to the \overline{RTxC} pin.

7.3.3 SCC Initialization

The initialization of the SCC for interrupt-driven asynchronous communication is divided into three parts as shown in Table 7-6. Part one programs the operating modes of the SCC, part two and three enable them. Care must be taken when writing the code to meet the SCC's Cycle and Reset Recovery times. The Cycle Recovery time applies to the period between any Read or Write cycles to the SCC, and is 6 PCLK cycles. The Reset Recovery time applies to a hardware reset caused either by hardware or software; this recovery time extends the Cycle Recovery time to 11 PCLK cycles.

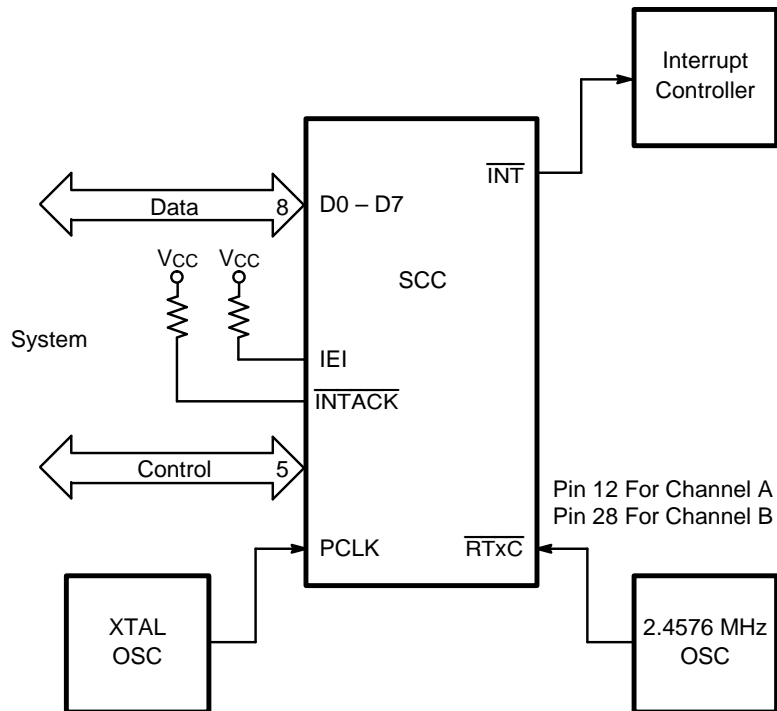


Figure 7-4. SCC Interface

Table 7–6. SCC Initialization Order for Interrupt Driven Asynchronous Mode

Register	Value	Comments
WR9	C0H	Force Hardware Reset
WR4	4CH	x 16 clock, 2 stop bits, no parity
WR2	00H	Interrupt Vector 00
WR3	C0H	Rx 8 bits, Rx disabled
WR5	60H	Tx 8 bits, DTR, RTS, Tx off
WR9	00H	Int Disabled
WR10	00H	NRZ
WR11	56H	Tx & Rx = BRG out, TRxC = BRG out
WR12	06H	Time constant = 6
WR13	00H	Time constant high = 0
WR14	10H	BRG in = RTxC, BRG of, loopback
Enables		
WR14	11H	BRG enable
WR3	C1H	Rx enable
WR5	68H	Tx enable
Enable Interrupts		
WR1	12H	Rx Int on all char and Tx Int enables
WR9	08H	MIE

7.3.3.1 SCC Operating Modes Programming

WR9 resets SCC to a known state by writing a C0 hex. This command, Force Hardware Reset, is identical to a hardware reset. It will reset both channels.

WR4 selects asynchronous mode, x16 mode, 2 stop bits and no parity. The x16 mode means that the clock rate is 16 times the data rate.

WR2 is the interrupt vector of the SCC. Even though a vector is not placed in the bus in this mode the vector including status is read from RR2. By writing 00H to this register the status read will be the only bits set in RR2.

WR3 selects 8 bits per character and does not enable the receiver. The 8 bits per character allows 8 bits to be assembled from the data stream. The receiver is not enabled at this time because the SCC is not completely initialized.

WR5 selects 8 bits per character and does not enable the transmitter. The 8 bits per character allows 8 bits to be sent as data with the least significant bit first. The transmitter is not enabled at this time because the SCC is not completely initialized.

WR9 selects that there are no interrupts enabled. This will inhibit the SCC from requesting an interrupt from the CPU.

WR10 selects NRZ encoding. This selects NRZ coding that is to be used on the transmitter and the receiver.

WR11 selects the $\overline{\text{RTxC}}$ pin to TTL clock, the transmit and receive clocks source as the baud-rate generator and the $\overline{\text{TRxC}}$ pin as a baud-rate generator output.

WR12 & WR13 select the baud-rate generator time constant. The time constant is determined by the equation:

$$\text{Time Constant} = \left[\frac{\text{Clock Frequency}}{2 \times \text{Baud Rate} \times \text{clock mode}} \right] - 2$$

In this example, the clock frequency is 2.4576 MHz, the baud rate is 9600, and the clock mode is 16; the time constant is 6. Converting this time constant to a 16-bit hexadecimal number, it becomes 0006H. The time constant Low (WR12) is 06H and the time constant High (WR13) is 00H. The baud rate for this example can be varied for as long as the data rate is less than 1/4 of the PCLK rate. Table 7–7 gives the time constants for other common baud rates.

Table 7–7. Time Constants for Common Baud Rates

Baud Rate	Dec	Divider	Hex
38400	0		0000H
19200	2		0002H
9600	6		0006H
4800	14		000EH
2400	30		001EH
1200	62		003EH
600	126		007EH
300	254		00FEH
150	510		01FEH

For 2.4576 MHz Clock, X16 Clock Mode

WR14 selects the baud rate source as the $\overline{\text{RTx}}\text{C}$ pin, baud rate generator disabled, and internal loopback. The baud-rate generator will use the $\overline{\text{RTx}}\text{C}$ pin as the clock source for the baud-rate generator. The baud-rate generator is not enabled at this time because the SCC initialization is not complete.

7.3.3.2 SCC Operating Mode Enables

WR14 enables the baud-rate generator. Bit 0 (LSB) is changed to a 1 to enable the baud-rate generator; all other bits must maintain the value selected during initialization.

WR3 enables the receiver. Bit 0 (LSB) is changed to a 1 to enable the receiver; all other bits must maintain the value selected during initialization.

WR5 enables the transmitter. Bit 3 is changed to a 1 to enable the transmitter; all other bits must maintain the value selected during initialization.

7.3.3.3 SCC Operating Mode Interrupts

WR1 enables the Tx and the Rx interrupts. The Rx interrupt is programmed to generate an interrupt on all received characters or special conditions. This provides an interrupt on every character received by the SCC. The external/status interrupts are not enabled in this application.

WR9 sets the master interrupt enable (MIE) bit 3. Setting this bit enables the interrupts pending to generate and interrupt on the $\overline{\text{INT}}$ pin.

7.3.4 Interrupt Routine

When the SCC has been initialized and enabled, it is ready for communication. The transmitter buffer and the receive FIFO are both empty. An interrupt will not be generated until the software writes the first character to the transmit buffer. Once the first character is in the SCC shift register, the first transmit interrupt will occur. The SCC then continues to issue interrupts to the interrupt controller until the end of the message. At the end of the message, a Reset Transmitter Interrupt Pending (WRO) is issued to clear the transmit interrupt. After the last character is read into the SCC, the interrupts will cease until another message is written into the transmitter.

Once an interrupt is received and the interrupt controller vectors to the interrupt routine, RR2 is read from channel B. The value read from RR2 is the vector, including status. This vector shows the status of the highest priority interrupt pending (IP) at the time it is read. Once the highest priority interrupt condition is cleared, RR2 will show the status of the next highest interrupt pending, if one is present. This allows multiple interrupts to be serviced without the overhead of the interrupt acknowledge cycle of the interrupt controller. MIE is disabled and then enabled to guarantee an edge for an edge-sensitive interrupt controller.

The following example shows how the interrupt routine should be coded.

```

BEGIN:    INPUT    RR2        ;Read RR2 from channel B
          TEST     Bit 4      ;Test for Tx Empty
          JE       TXEMPTY    ;Jump to Transmit Routine
          TEST     Bit 5      ;Test for Rx full
          JUMP     RXFULL     ;Jump to Receive Routine
          OUT      WR9 00     ;MIE Disabled
          OUT      EOI        ;Output EOI to Interrupt Controller
          IRET                    ;Return to Main
;
;
TXEMPTY:  TEST     NOMORE     ;Test a last character flag
          JE       LAST       ;Jump to LAST if no more characters
          OUTPUT   CHAR        ;Output character to data port
          DEC      CHARCOUNT ;Decrement character count
          JUMP     BEGIN      ;Jump to BEGIN to test for more IP
;
;
LAST:     OUTPUT   RR0,28H    ;Reset Tx Interrupt Pending
          JUMP     BEGIN      ;Jump to BEGIN to test for more IP
;
;
RXFULL:   INPUT    RR1        ;Read RR1
          COMPARE  RR1,00     ;Test for special condition bit set
          JUMP     NE         ;Jump to SPECIAL
          INPUT    CHAR        ;Input charcater from data port
          JUMP     BEGIN      ;Jump to BEGIN to test for more IP
;
SPECIAL;  .
          .
          This means a framing error, receive overrun error or parity error
          has occurred. Character may be read but data is not correct.
          A flag should be set to post the error.
          .
          .
          OUTPUT  RR0, 30H    ;Reset Error Command
          JUMP    BEGIN      ;Jump to BEGIN to test for more IP

```

Figure 7–5. SCC Interrupt Routine

7.4 INTERFACING TO THE 8086/80186

7.4.1 8086 (Also Called iAPX 86) Overview

The 8086 is a general purpose 16-bit microprocessor CPU. The CPU has a 16 bit data bus multiplexed with sixteen address outputs. There are four additional address lines (segment addresses which are multiplexed with STATUS) that increase the memory range to 1 Mbyte. The 8086 addresses are specified as bytes. In a 16 bit word, the least significant byte has the higher address. This is compatible with 8080, 8085, Z80 and PDP11 addressing schemes but differs from the Z8000 and 68000 addressing.

The data bus is “asynchronous;” i.e, the CPU machine cycle can be stretched without clock manipulation by inserting Wait states between T2 and T3 of a read or write cycle to accommodate slower memory or peripherals. Unlike the 68000, the 8086 has separate address spaces for I/O (64 kBytes).

The 8086 can operate in MIN. or MAX. mode. Maximum mode offloads certain bus control functions to a peripheral device and allows the CPU to operate efficiently in a co-processor environment. A brief discussion on both the MIN. and the MAX. modes follows.

MIN. mode: I/O addressing is define by a High or the IO/M output, and activated by the RD output for reading from memory, or I/O or activated by the WR output for writing to memory or I/O.

DMA: The Bus is requested by activating the HOLD input to the 8086. Bus Grant is confirmed by the HLDA output from the 8086.

MAX. mode: I/O operation is controlled by two outputs from the 8288.

(8086 plus $\overline{\text{IORC}}$: active during Read from I/O

8288) $\overline{\text{IOWC}}$: active during Write to I/O

$\overline{\text{MRDC}}$: active during Read from memory

$\overline{\text{MWTC}}$: active during Write to memory

DMA: The Bus is requested and Bus Grant is acknowledged on the same pin ($\overline{\text{RQ/GT0}}$ OR $\overline{\text{RQ/GT1}}$) through a pulsed handshake.

Interrupts In MIN. and MAX. Modes:

Interrupt is requested by activating the INTR or NMI inputs to the 8086.

Interrupt is acknowledged by the $\overline{\text{INTA}}$ pin on a MIN. mode 8086 or by the $\overline{\text{INTA}}$ pin on the 8288 in MAX. mode.

Note: There is no $\overline{\text{RD}}$ or $\overline{\text{IORC}}$ during the interrupt acknowledge sequence.

7.4.1.1 The 8086 and Am8530H Interface

Most common systems demultiplex address and data. The Am8530H is compatible with these systems.

Interface between the 8086 and the Am8530H peripheral device shows how to take advantage of its interrupt structure as shown in Figure 7–6. $\overline{\text{INTACK}}$ is generated by the 8086’s first $\overline{\text{INTA}}$ pulse. This allows about 800 nsec for the interrupt daisy chain to settle. The second $\overline{\text{INTA}}$ pulse is then gated to the $\overline{\text{RD}}$ pin which places the vector on the bus. At 8 MHz, two Wait States must be inserted. This design is the same when interfacing to the 186. It requires no additional Wait States. Diagrams in Figure 7–7 show the connections for 74LS74 in both 5 MHz and 8 MHz operations of the 8086. Figure 7–8 is an alternate implementation which can be used in place of the logic in the dotted area in Figure 7–6.

Note that the falling edge of $\overline{\text{WR}}$ must be delayed to meet data setup time requirements. A Wait State must be inserted (not shown) to meet pulse width requirements during a write.

The Am29841 is a high speed 10-bit latch with high drive capability. Other latches may be used instead. Most designers latch \overline{BHE} even though S_7 is the same, the few extra bits become quite useful when trying to keep parts count down.

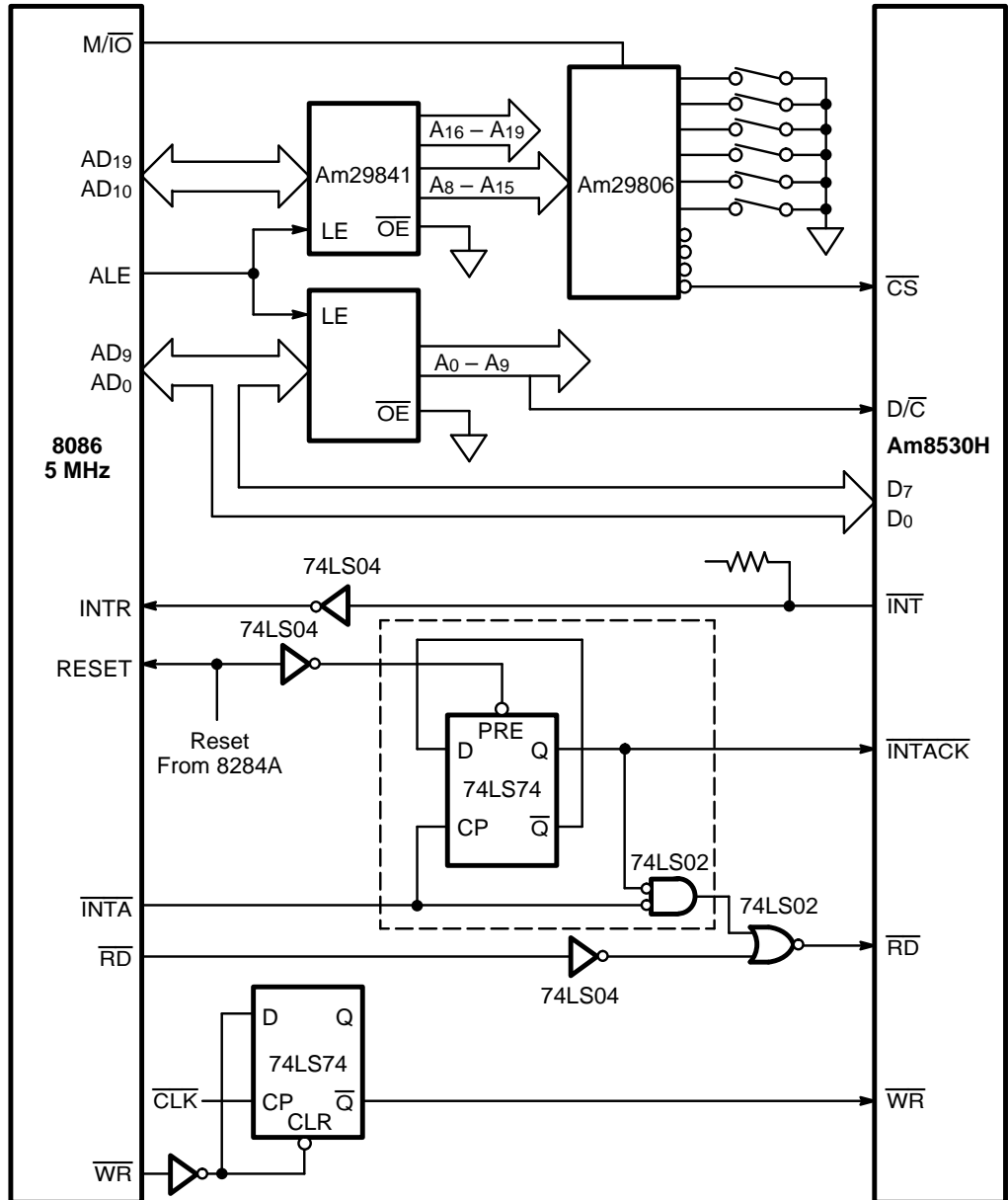
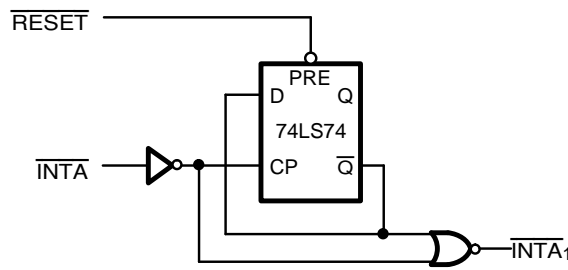
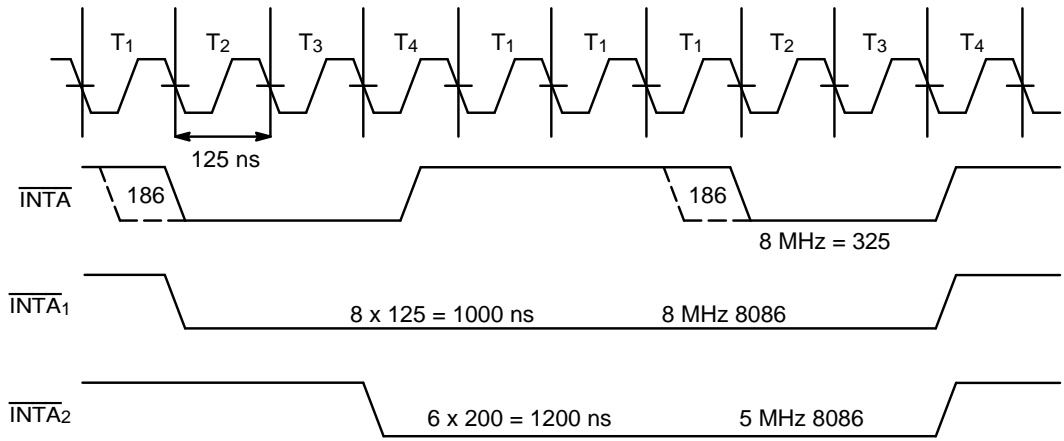
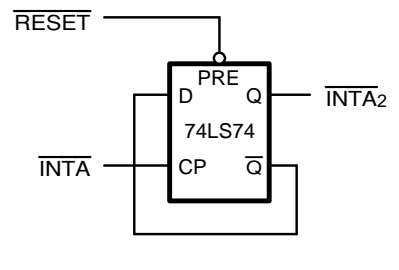


Figure 7-6. 8086—SCC Interface



8 MHz 8086
Figure A



5 MHz 8086
Figure B

Figure 7-7. Interrupt Acknowledge Timing

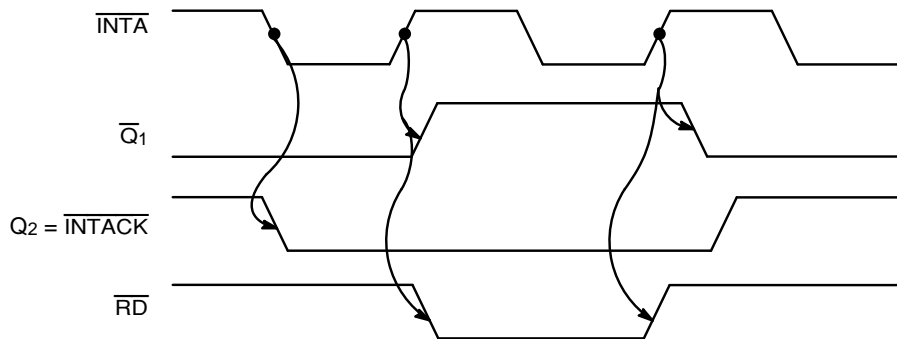
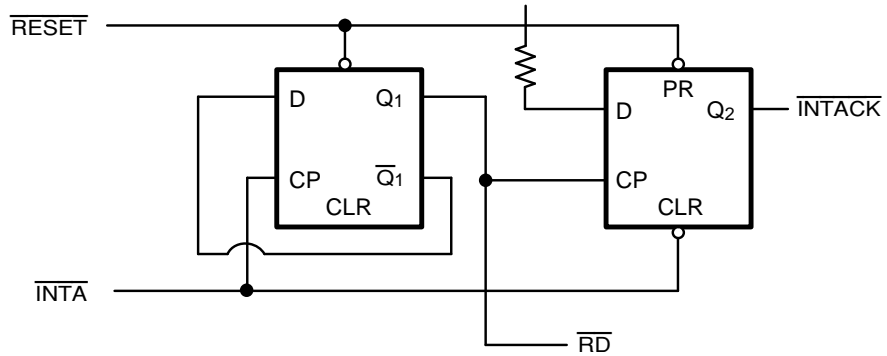


Figure 7-8. Interrupt Acknowledge Timing Implementation

7.5.1.2 Initialization Routines

The sample assembly initialization routine, Figure 7-9 takes into account the READ/WRITE recovery time and has been tested in an 8 MHz system. The interrupt service routines for Channel B are for testing only and are not intended as realistic examples. Also, Figure 7-10 shows a sample initialization sequence written in "C."

```

AMC AMDOS 8/8 64K, Version 2.00 - 9/26/80
type int8530.a86
;      THIS ROUTINE WRITTEN FOR THE 8086
;      INITIALIZES THE 8530 SCC FOR ASYNCHRONOUS
;      OPERATION AT 9600 BAUD.
;
;      REGISTER USAGE
;      AX      INPUT AND OUTPUT DATA
;      BX      COUNTER
;      DX      ADDRESS OF PORT
;      BP      POINTER TO MEMORY
CMD      EQU      0F902H          ;COMMAND/STATUS PORT
DATA     EQU      0F900H          ;DATA PORT
TAB      EQU      OFFSET TABLE
ET       EQU      OFFSET ETB
;
;      ORG      0100H
START:   MOV      DX,CMD          ;GET ADDRESS OF CMD PORT
         IN       AL,DX          ;READ STATUS TO SET STATE
         MOV      BX,ET-TAB      ;GET TABLE LENGTH
         MOV      BP,TAB         ;POINT TO TABLE
RPT:     MOV      AL,[BP]        ;GET DATA FROM TABLE
         OUT      DX,AL          ;OUTPUT ADDRESS OF REGISTER
         INC      BP            ;INCREMENT TABLE POINTER
         MOV      AL,[BP]        ;GET DATA
         OUT      DX,AL          ;OUTPUT DATA TO REGISTER
         INC      BP            ;INCREMENT TABLE POINTER
         DEC      BX            ;COUNT-1
         JZ       RPT           ;REPEAT IF NOT DONE
;PROGRAM CONTINUES AS DESIRED
TABLE    DB      009H           ;ADDRESS WR9
         DB      0C0H           ;RESET COMMAND
         DB      003H           ;ADDRESS WR3
         DB      041H           ;# OF BITS ETC.
         DB      004H           ;ADDRESS WR4
         DB      04CH           ;DATA
         DB      005H           ;ADDRESS WR5
         DB      028H           ;BITS/CHAR AND TXEN
         DB      00BH           ;ADDRESS WR11
         DB      056H           ;SELECT BAUD GEN
         DB      00CH           ;ADDRESS WR12
         DB      00CH           ;UPPER TC
         DB      00DH           ;ADDRESS WR13
         DB      000H           ;LOWER TC
         DB      00EH           ;ADDRESS WR14
         DB      007H           ;SET DTR AND ENABLE BAUD GEN
ETB:
END

```

Figure 7-9. SCC Initialization

```

/*****
/*          Initializing the Z8530 asynchronously
/*          (using pointer referring to memory map I/O device)
/*****

#include  "stdio.h"
#define   spaddress      0x22FS5    /* status port address */
#define   dpaddress      0x22F87    /* dataport address */
#define   rxbit          2          /* receive ready bit */
#define   txbit          1          /* transmit ready bit */
#define   tablesize      16

main ()
{

unsigned char table[tablesize];
unsigned long *ptspa, *ptdpa;
unsigned char value;
int i;

/* data table for initialization */

table[0]=0x9;          /* address WR9 */
table[1]=0xC0;         /* hardware reset SCC */
table[2]=0x3;          /* address WR3 */
table[3]=0x41;         /* set # of bits etc. */
table[4]=0x4;          /* address WR4 */
table[5]=0x4C;         /* misc mode */
table[6]=0x5;          /* address WR5 */
table[7]=0x28;         /* bits/char and TXEN */
table[8]=0xB;          /* address WR1i */
table[9]=0x56;         /* select baud generator */
table[10]=0xC;         /* address WR12 */
table[11]=0xC;         /* upper TC */
table[12]=0xD;         /* address WR13 */
table[13]=0;           /* lower TC */
table[14]=0xE;         /* address WR14 */
table[15]=0x7;         /* set DTR/REQ enable baud generator */

/* output data from table to perform initialization */

ptspa=spaddress;      /* pointer to status port address */
ptdpa=dpaddress;      /* pointer to data port address */
value=*ptspa;         /* read status to set the set state machine */
for (i--0; i<tablesize; i++) /* perform initialization */
    *ptspa=table[i];

/* receive and echo character routine */

for ( ;;)
{
    while (((*ptspa) & rxbit) == 0); /* wait for receive ready bit */
    value=*ptdpa;                    /* receive character */
    while (((*ptspa) & txbit) == 0); /* wait for transmit ready bit */
    *ptdpa--value'                   /* transmit character */
}
}

```

Figure 7-10. SCC Initialization - Memory Mapped

7.5 INTERFACING TO THE 68000

7.5.1 68000 Overview

The 68000 has an asynchronous, 16-bit, bidirectional, data bus. Data types supported by the 68000 are: bit data, integer data of 8-, 16- or 32-bit addresses and binary coded decimal data. It can transfer and accept data in either words or bytes. The \overline{DTACK} input indicates the completion of a data transfer. When the processor recognizes \overline{DTACK} during a read cycle, the data is latched and the bus cycle terminates. When \overline{DTACK} is recognized during a write cycle, the bus cycle also terminates. An active transition of \overline{DTACK} indicates the termination of data transfer on the bus. All control and data lines are sampled during the 68000's clock high time. The clock is internally buffered, which results in some slight differences in the sampling and recognition of various signals. The 68000 mask sets prior to CC1 and allows \overline{DTACK} to be recognized as early as S2, and all devices allow \overline{BERR} or \overline{DTACK} to be recognized in S4, S6, etc., which terminates the cycle. If the required setup time is met during S4, \overline{DTACK} will be recognized during S5 and S6, and data will be captured during S6. \overline{DTACK} signal is internally synchronized to allow for valid operation in an asynchronous system. If an asynchronous control signal does not meet the required setup time, it is possible that it may not be recognized during that cycle. Because of this, synchronous systems must not allow \overline{DTACK} to precede data by more than 40 to 240 nanoseconds, depending on the speed of the particular processor. I/O is memory-mapped, i.e., there are no special I/O control signals. Any peripheral is treated as a memory location.

DMA: This Bus is requested by activating the \overline{BR} input of the 68000. Bus Arbitration is started by the \overline{BG} output going active. The Bus is available when \overline{AS} becomes inactive. The requesting device must acknowledge bus mastership by activating the \overline{BGACK} input to the CPU.

The 23-bit address ($A_1 \dots A_{23}$) is on an unidirectional, three-state bus and can address 8 Mwords (16 Mbytes) of memory or I/O. It provides the address for bus operation during all cycles, except the interrupt cycles. During interrupt cycles, address lines A1, A2 and A3 provide information about the level of interrupt being serviced. Instead of A_0 and $\overline{BYTE/WORD}$, there are two separate data strobe lines for the two bytes in a word. A note of caution here, the 68000 treats the MSB of the lower byte as an even byte, or word address. The same goes with processors such as the Z8000. Processors such as the 8086 treat the lower byte as the odd byte.

Interrupt is requested by activating any combination of the interrupt inputs to the 68000 (IPL0...2), indicating the encoded priority level of the interrupt requester (inputs at or below the current processor priority are ignored). The 68000 automatically saves the status register, switches to supervisor mode, fetches a vector number from the interrupting device, and displays the interrupt level on the address bus. For interfacing with old 68000 peripherals, the 68000 issues an Enable signal at one-tenth of the processor clock frequency. There are a number of AMD proprietary third generation peripherals that can be interfaced to the 68000 CPU, to improve system performance. This chapter deals mainly with the interfacing of the 68000 and the Am8530H.

7.5.2 The 68000 and Am8530H without Interrupts

Implementation of an interface without interrupt is straightforward. $\overline{\text{INTACK}}$ must be tied High when not in use and the shift register provides a means for inserting Wait States.

Figure 7-11 shows the interface between the 68000 and the Am8530H. The Am8530H SCC. It supports all advanced protocols and has a number of user programmable features that provide design flexibility.

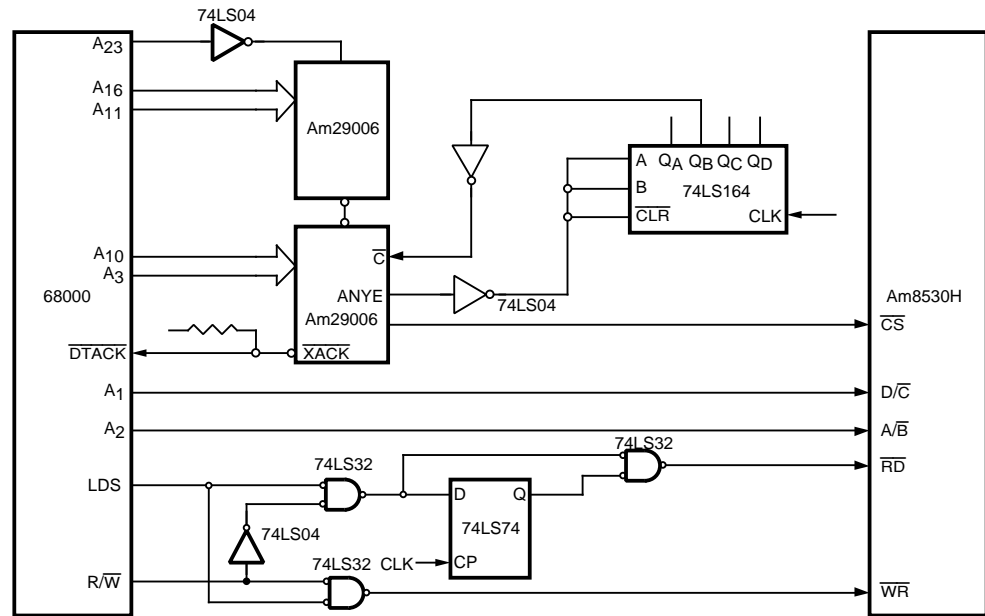


Figure 7-11. SCC—68000 Interfacing

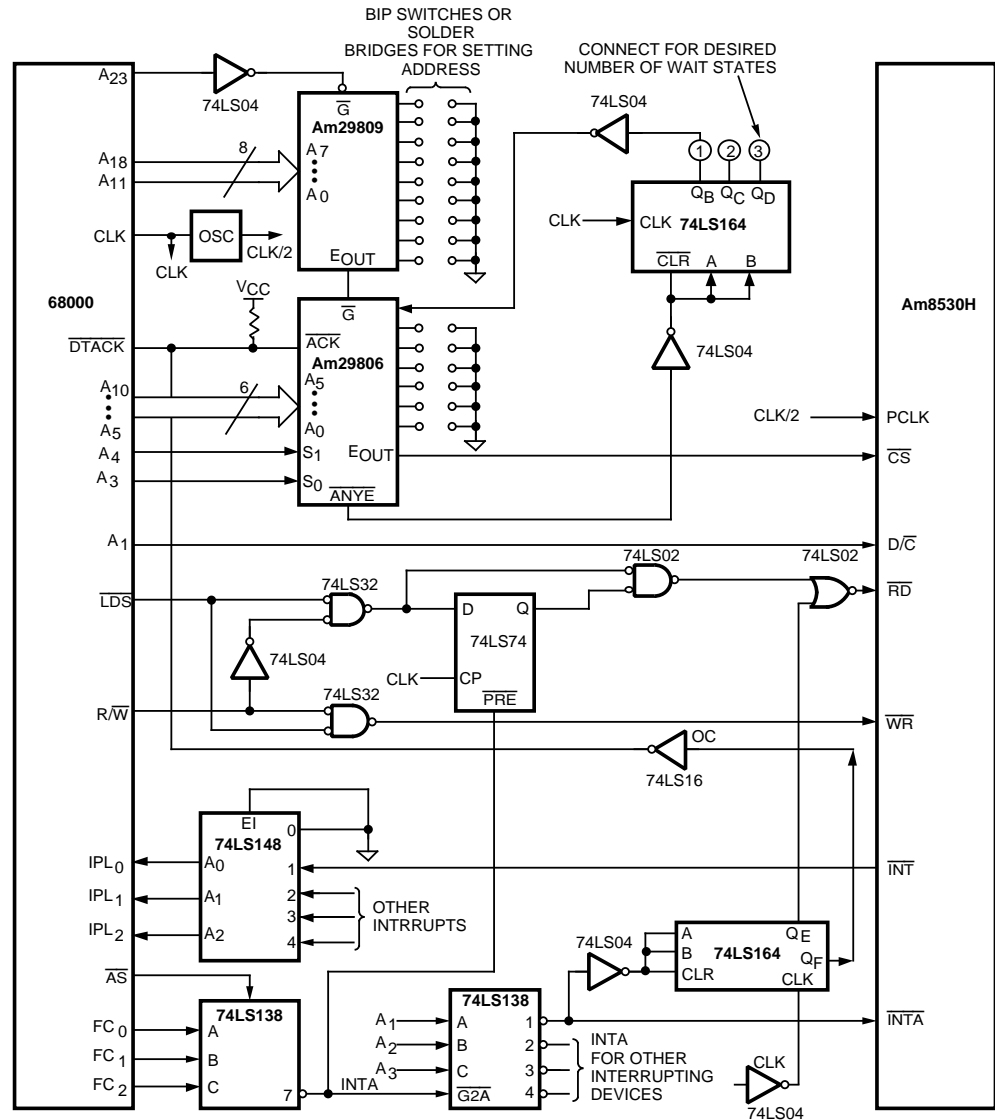


Figure 7-12. Am8530H to 68000 Connection with Interrupts Using SSI and MSI

The data bus between the 68000 and the Am8530H are directly linked together. The Am29806 decodes the address and generates \overline{CS} for the peripheral and produces \overline{ANYE} , which is used by the 74LS164, to generate Wait States. The 74LS164 controls the number of wait states by the "C" input which in turn controls the \overline{DTACK} signal to the CPU. This allows \overline{RD} and \overline{WR} to obtain the required 400 ns width. A1 generates the $\overline{C/D}$ input to the Am8530H while the remaining address lines are connected to the Am29809 address comparator.

The Am29809 Comparator and the Am29806 Comparator/Decoder provides high-speed address selection as well as an open collector acknowledge driver. This allows memories and peripherals to be conveniently wire-ORed to the processor's \overline{DTACK} pin. This interface does not provide a hardware reset; therefore, it is necessary to do a dummy read to the control port before issuing a software reset.

7.5.3 The 68000 and Am8530H with Interrupts

The following description addresses the problems of interfacing the 68000 and Am8530H with interrupts. The circuit configuration is basically the same as the design without interrupts.

The 74LS148 and the two 74LS138s assume there are other interrupting devices which are not compatible with the interrupt daisy chain of the Am8530H. The 74LS148 and one of the 74LS138 can be eliminated if this is not the case.

The first 74LS138 acts as a status decoder; it is gated with AS to de-glitch the outputs. The second 74LS138 decodes the Interrupt Acknowledge priority level, allowing a two-dimensional priority scheme. Daisy chain can be used to resolve priority at any given priority level while the CPU resolves priority between levels.

The 74LS164 is added to generate the correct timing during an Interrupt Acknowledge cycle. It allows 5 CPU clocks for the daisy chain to settle before it generates \overline{RD} to put the vector onto the bus. The daisy chain is implemented by using the IEI, IEO pins (not shown in Figure 7-12) on the 8500 peripherals. The time allowed for the daisy chain to settle is a function of the number of devices in the chain; thus the allowance of 5 clocks used here is arbitrary. The 74LS164 also generates \overline{DTACK} . A block diagram of this interface is shown in Figure 7-15. Timing diagram is followed in Figure 7-13. It is more straightforward to use the Am9519A Interrupt Controller instead of the on-chip interrupt features. However, this approach does not allow the programmer to take advantage of some of the Am8530H time-saving features.

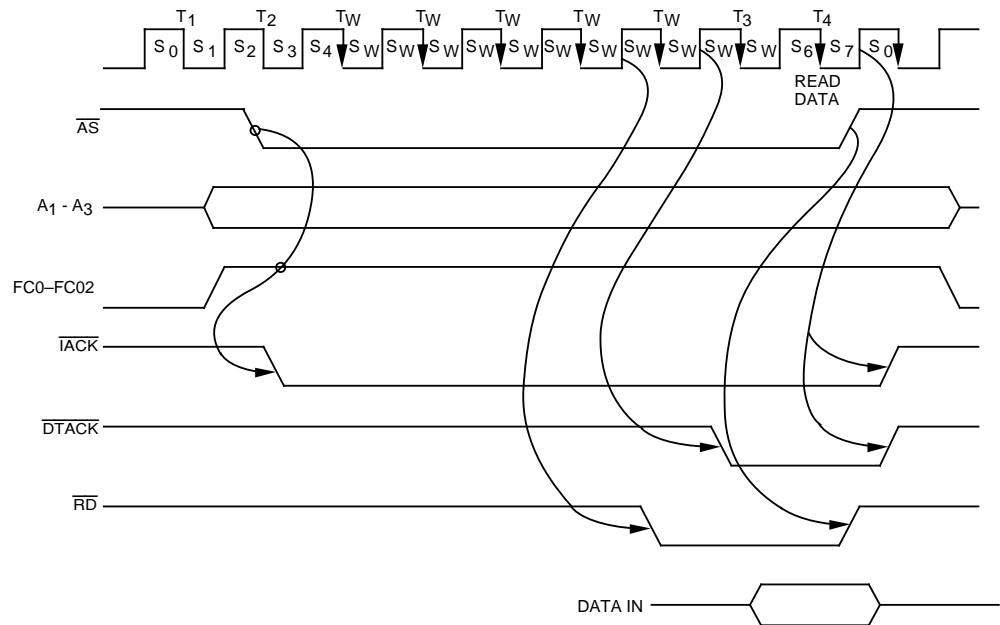


Figure 7-13. Am8530H to 68000 Interrupt Acknowledge Timing

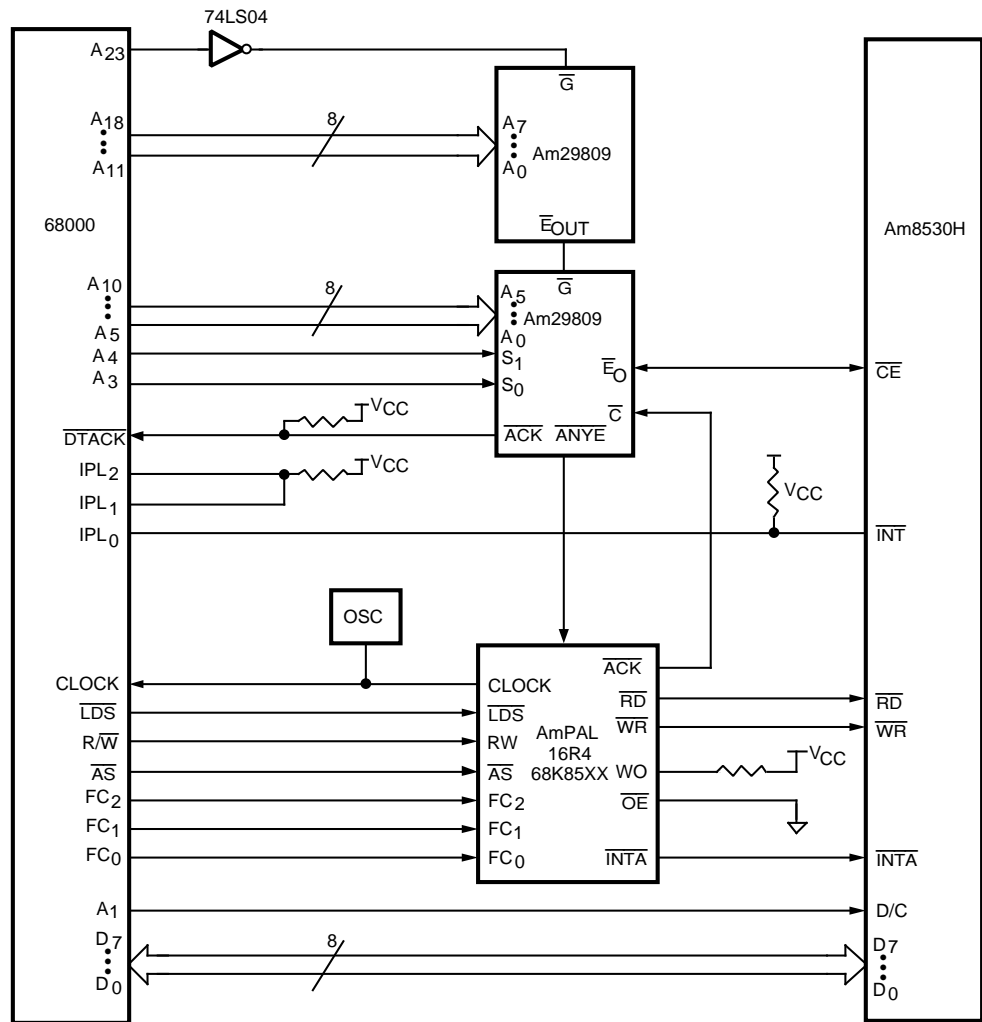


Figure 7-14. 68000 to Am8530 Connection using a PAL

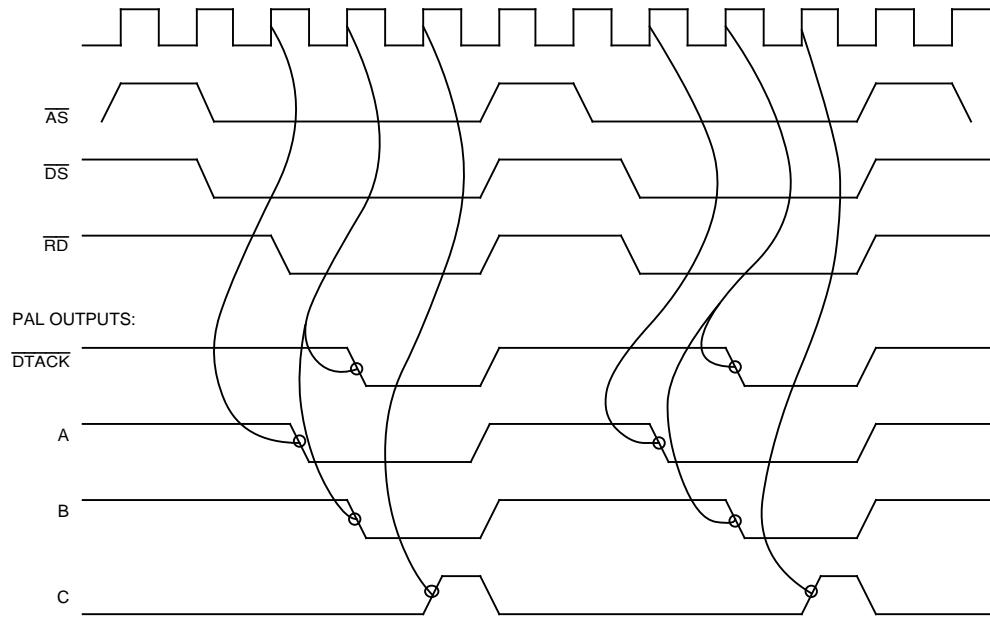


Figure 7-15. PAL Timing

7.5.4 The 68000 and Am8530H with Interrupts via a PAL Device

This example shows how a Programmable Array Logic (PAL) device simplifies the task of interrupt generation compared to the MSI implementation. The block diagram for the interface via a PAL device is shown in Figure 7-14. The timing diagram (Figure 7-15) illustrates the Interrupt Acknowledge cycle. As in the other designs, \overline{RD} is generated during Interrupt Acknowledge to place the vector on the bus.

The timing during register programming is not shown. The PAL device allows selection of one or two Wait States by making $W0$ High or Low respectively. The table below shows the appropriate number of Wait States as a function of CPU speed.

CPU Speed	Wait States
4 MHz	1
6 MHz	2
8 MHz	2
10 MHz	2

PAL device equations are shown in Figure 7-16.

```

PA16R4    PAL DESIGN SPEC
PAT 002   JOE BRICH 9 SEPT 83
68000 TO 8500 OR 9500 PERIPHERALS
ADVANCED MICRO DEVICES
CLOCK /CS RW /LDS /WO /AS FCO FC1 FC2 GND
/OE /INTA /ACK /C /B /A /DLDS /RD /WR VCC
A := A*/B + B *C + /AS
B := A*/C + /A*C + /AS
C := /A*/B*AS + B*C*AS
DLDS := LDS
RD = LDS*DLDS*RW*/INTA + /INTA*/A*/B*C*WO + INTA*/B*A + ACK * LDS
DESCRIPTION
THIS PAL DEVICE INTERFACESN 85XX TYPE PERIPHERALS TO THE 68000
MICRO PROCESSOR. IT INSERTS 1 OR 2 WAIT STATES AS SELECTED BY
/WO = 0 IS ONE AND /WO = 1 IS TWO WAIT STATES. FOUR WAIT STATES
ARE INSERTED DURING THE INTERRUPT ACKNOWLEDGE CYCLES. ALSO THE
RD OUTPUT GENERATED DURING INTA IS A FUNCTION OF THE INTERNAL
STATE MACHINE AND NOT A FUNCTION OF LDS. OE CAN BE LEFT OPEN
SINCE THE FLIP-FLOP OUTPUTS ARE NOT USED DIRECTLY. THE FALLING
EDGE OF RD IS DELAYED IN ORDER TO GUARANTEE THE CS TO RD SETUP
TIME REQUIREMENTS.

```

Figure 7–16. PAL Equations

7.6 Am7960 AND Am8530H APPLICATION

7.6.1 Distributed Data Processing Overview

The changing data-processing environment has created attractive opportunities for distributed processing, encouraging both users and vendors to support the concept. Distributed processing provides either functional or geographical dispersion while integrating the dispersed parts into a coherent system.

The main advantages of distributed processing power are:

- a. Efficiency—
Specialized machines perform their functions in an efficient manner. Large, centralized systems are often multi-tasked and they do not necessarily perform all the functions with equal efficiency.
- b. Low Cost—
 - i. A less complex computer, or other forms of distributed intelligence, is required.
 - ii. It simplifies certain applications where only data accessing is required.
- c. Control—
Users have control of most of the computing power in the system organization.
- d. Unlimited Access—
Distributed processing power allows the user greater access to the machine operating system and hardware. In large, centralized systems, very few users are allowed to access the mainframe's operating system and hence cannot take full advantage of all the computer's power.
- e. Response Time—
Local processing eliminates the relatively slow common-carrier lines in favor of high-speed channels. Distributed processing can improve response time for certain applications that can be partitioned for simultaneous execution in parallel on multiple,

functionally distributed computers. Lengthy delays are often encountered in a centralized system due to overloaded CPUs and slow communication lines.

f. Resource Sharing—

Remote sites in a distributed system can use each other's facilities such as sharing expensive peripheral devices in the system.

The advantages of distributed processing, therefore, point mainly to two important facts:

1. LANs make distributed intelligence practical.
2. Methods must be devised in order to allow large amount of data to be transported, at high speeds, between centers of intelligence.

This discussion addresses the second factor.

7.6.2 Data Communications at the Physical Layer

Today's data communications market can be segmented in terms of speed.

- i. Low speed (300 baud–56 kbaud)
- ii. Medium speed (0.5 Mb/s–3 Mb/s)
- iii. High speed (10 Mb/s–60 Mb/s)
- iv. Very high speed (100 Mb/s and up)

On medium speed applications data rate is assumed at 1 Mb/s. At this rate, the physical interface requires a highly sophisticated transceiver. The following is a list of the requirements:

- a. The transceivers must have good but inexpensive isolation from the cabling system (large common-mode voltages and surge voltages are common phenomena in any network). Pulse transformers can provide the required isolation.
- b. The transceiver must be able to support a good collision avoidance scheme, since all devices have equal access to the network (in a CSMA type architecture). If a collision does occur, the transceiver must detect the collision and flag the communications controller.
- c. The receiver must be able to inhibit false starts due to noise in the surrounding environment.
- d. The transmitter must control the slew rate of the output signal to reduce EMI/RFI to surrounding electronic equipment. This is a very important criterion if the network is to meet FCC/VDE regulations on radiation.
- e. If an isolation transformer is used, some form of data encoding must also be implemented so that a series of '1's or '0's do not saturate the transformer by charging it to either voltage level.

Why the Am7960

The Am7960 Coded Data Transceiver is designed to meet all the requirements of the medium-speed network. It is frequency agile for data rates between 0.5 Mb/s to 3 Mb/s.

Electro-Magnetic Interference

The Am7960 has an external resistor connected from the slew rate control pin (TSRC) to ground to control the transmit slew rate. If the rise and fall times of the output signal are each 30% of the transmit clock period, the output waveform looks approximately like a sine wave (Figure 7–17). This has a smoothing effect on the transmitted signal, reducing 3rd, 5th and higher order harmonics. This in turn reduces energy radiating from the cable and *minimizes the effects of electro-magnetic interference and radio frequency interference.*

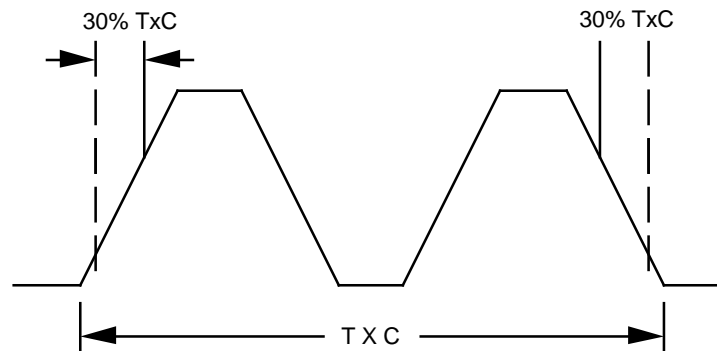


Figure 7–17. Slew Rate Controlled Outputs

Common-Mode Problem

The common-mode voltage problem can be resolved by using transformer isolation at the transceiver-cable interface. The Am7960 provides a high impedance interface to the coupling transformer. It also implements a user-transparent Manchester encoding/decoding scheme that limits the frequency of output data signals to within a narrow range.

Noise Immunity

In the receiver section of the Am7960 a signal qualifier minimizes false starts, thus improving reliability. Line activity is detected when the input signal crosses the threshold. The receive clock is acquired when there are two transitions of the input signal during a bit time interval.

Digital Sampling

The internal DPLL runs at 16 times the data rate. Hence, each bit of the received signal is quantized into 16 samples. The DPLL is free-running when the line is quiet but synchronizes within 1/16 of a bit on the first valid signal edge. It then opens up a series of windows at the 5/16 to 7/16, 12, and 9/16 to 11/16 positions of the expected bit cell. Zero-crossings within these windows set a Shorten, Center, or Lengthen flag that makes the loop adjust for sampling of the next bit cell. The internal circuitry samples the incoming data at 1/4 and 3/4 bit intervals. A transition of voltage levels between these two time slots indicates the arrival of a valid Manchester data bit.

7.6.3 Hardware Considerations

The Am7960 can be used with a Am8530H Serial Communications Controller (SCC) to build a simple and cost-effective 1 Mb/s data link for office and industrial applications. The Am8530H is a two channel, software-programmable, device which can adapt to most system architectures including:

- Bus architectures (full-duplex and half-duplex)
- Token Passing Ring (SDLC Loop Mode)
- STAR Configurations (similar to SLAN)

The power and flexibility of the Am8530H, along with the Am7960's CSMA-CA access scheme. Manchester coding of data and output slew rate control enable the system designer to deliver an inexpensive 1 Mb/s LAN.

The straightforward nature of the hardware connections is shown in Figure 7–18. The Request to Send (\overline{RTS}) output from the SCC is ORed with inverted Advance Carrier Detect (\overline{ACD}) output to implement the collision avoidance scheme.

\overline{ACD} is asserted whenever the receiver detects line activity. This scheme is a significant asset in the single bus (half-duplex) architecture shown in Figure 7–19. Consider the case where Device 1 is transmitting and Device 4 is receiving. Although the message on the bus is not read by Devices 2 and 3, their respective \overline{ACD} lines will be active (Low) due to line activity at their receive inputs, RxL0 and RxL1. This prevents the controllers from transmitting as long as there is line activity, thus avoiding any potential collisions or interruption of the transmission. During transmission, \overline{ACD} is internally negated. The \overline{ACD} and \overline{RTS} gating scheme does not interfere with normal data transmission.

In this example (Figure 7–19), the Am7960 will generate and recognize its own preamble because the Am8530H does not have that capability. This is called Mode 0 operation and is accomplished by holding the Mode pin Low. The Master Reset input is an asynchronous transceiver reset. When asserted, all interface signals will be inhibited with the exception of transmit clock. It has an internal pull-up resistor, internal discharge clamp diode, and input hysteresis to provide power-on reset with a single external capacitor to ground.

The Clear-To-Send (\overline{CTS}) is activated just before the Am7960 is ready to transmit data. The interface for Transmit Data (TxD), Transmit Clock (TxC), Receive Data (RxD), and Carrier Sense (\overline{CS}) between the Am7960 and the Am8530H are direct connections. This ease of connection is possible because the Am8530 supports the modem-like interface (standard for most USARTs and serial communications controllers) for which the Am7960 is designed.

The RxC rising edge to RxD valid time on the Am7960 varies from –5 ns to +20ns. The Am8530H clocks in data on the rising edge of RxC and requires a set-up of at least 0 ns from RxD to the rising edge of \overline{RxC} . This set-up time will not be met if the same RxC edge that clocks out data from the Am7960 is used to clock in data to the Am8530H. This problem can be solved by inverting the receive clock from the Am7960 before feeding it into the Am8530H.

The X1 and X2 pins supply the clock to the digital phase-locked loop in the Am7960, which in turn generates the TxC and RxC signals. These inputs can be driven by either a crystal or a TTL source. The crystal oscillator circuit must be used, in 3rd harmonic, for frequencies above 24 MHz. If a TTL source is connected to X1, the X2 pin must be left open.

The hardware connections between the Am8530H and a CPU and DMA controller are equally simple. Use of a DMA controller is suggested for any system that transmits above 500 kb/s, to simplify data transfers between the memory and the Am8530H. After initializing the Am8530H and the DMA channel, the CPU leaves the actual transfer of data to the DMA controller (explained under Software Considerations later in this application note).

During transmission, the SCC requests a DMA transfer by pulling the $\overline{W/REQ}$ line active (Low) if the transmit buffer is empty, or keeps it High until the transmit buffer is empty. Similarly, the receive section will request a DMA transfer if the receive buffer contains a character or will keep $\overline{W/REQ}$ High until a character enters the receive buffer. A flag within the SCC can be read to recognize an End-Of-Message (EOM).

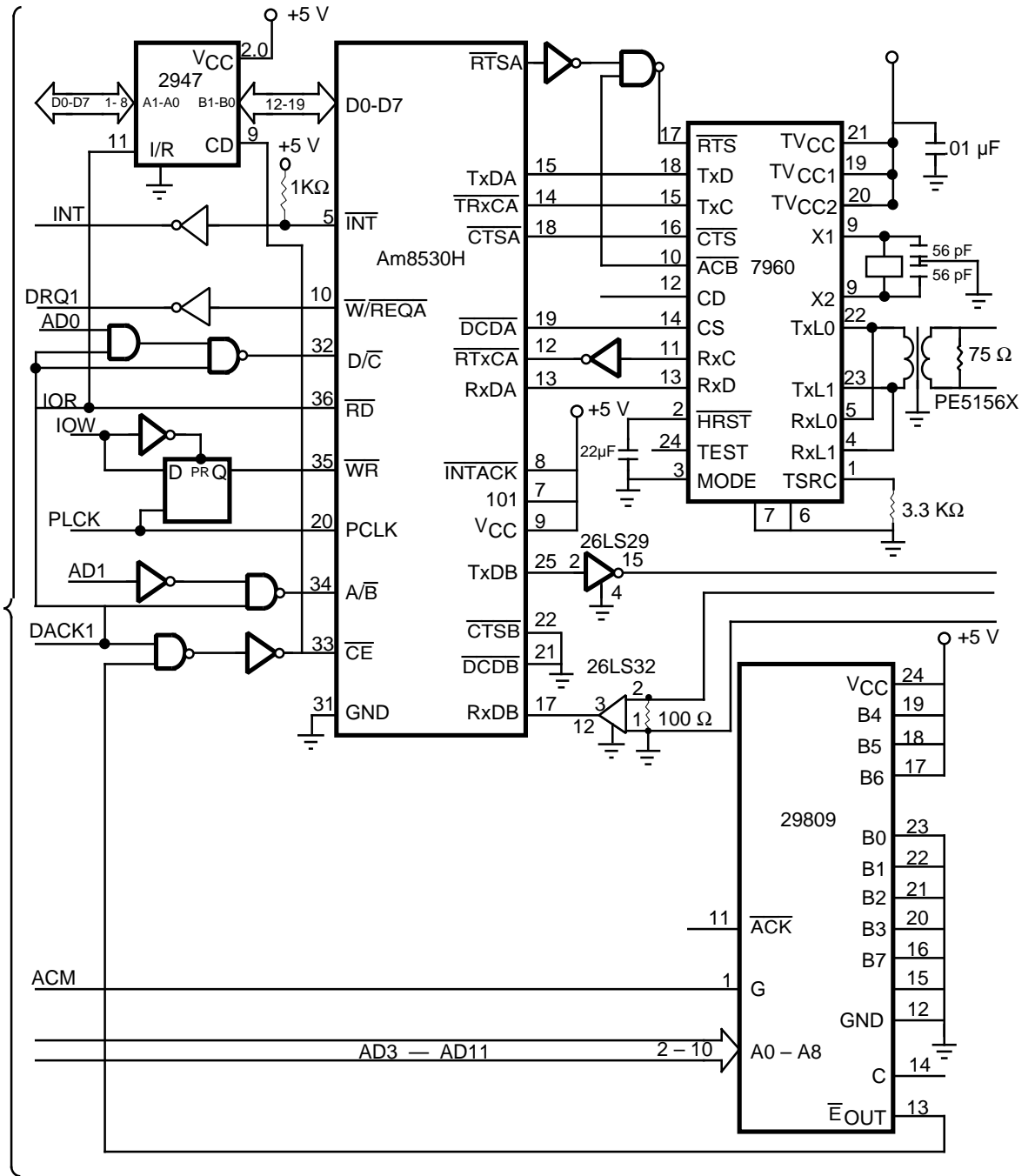


Figure 7-18. 7960-Am8530H Hardware Interface Diagram

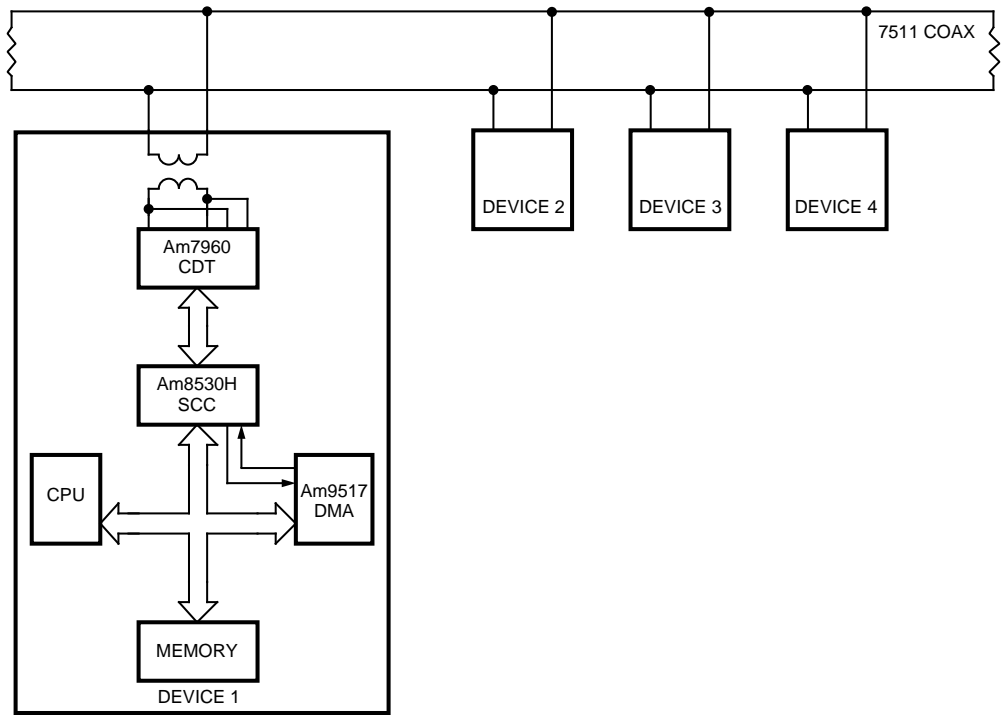


Figure 7-19. Bus Architecture

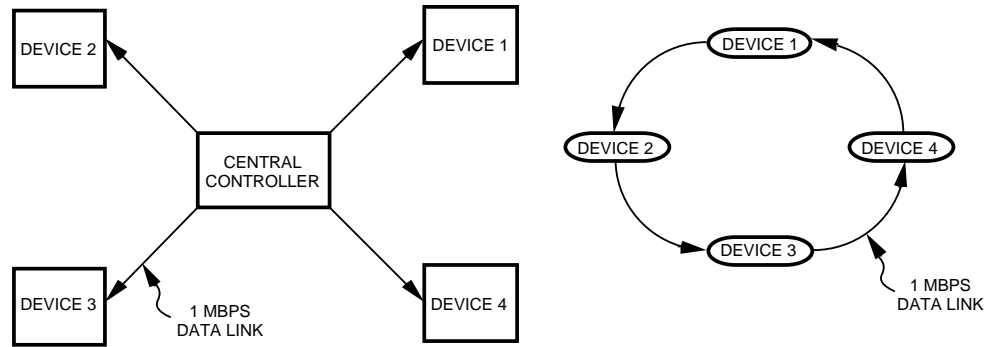


Figure 7-20. Star Network and Token Passing Ring (SDLC Loop Mode)

The Am8530H can also be configured to make the entire system interrupt-driven. The chip can be set up to interrupt the CPU on external conditions (i.e., a change on a modem line or a break condition). It can also be set up to cause receive interrupt on first character, on all characters, or on one of many special receive conditions (e.g., receiver overrun, framing error, or end of frame).

The Am7960 can also support a full-duplex operation (point-to-point between two devices). In this case, no collision avoidance scheme needs to be implemented because only one device can talk on one line at a time. Such a set-up would be very practical for STAR configurations, or Token Passing Ring, or Loop configurations (shown in Figure 7-20).

In addition to this 1Mb/s LAN using the Am7960, channel B of the Am8530H is configured to operate a low speed RS-423/RS-232C asynchronous link. The Am26LS29 driver and the Am26LS32 receiver were added, as shown in Figure 7-18, to provide proper signal conditioning for the cable.

7.6.4 Software Considerations

Two programs have been written for the hardware described and are listed at the end of this application note. The program for the transmitter is listed under "Software to Transmit Data At 1Mb/s Using DMA." The program for the receiver is listed under "Software to Receive Data At 1Mb/s Using DMA." These programs enable a file to be read off a disk on one IBM* PC (XT or AT), transmit it over a shielded coaxial cable to another similar PC**, and save it onto a disk on the receiving PC. The collision avoidance scheme is implemented in hardware. The software implementation demonstrates that the Am8530H and Am7960 can be simply configured for a 1Mb/s data communications network. An actual operating network may need a slightly greater degree of software sophistication.

The file from disk (hard or floppy) is first copied into memory. The length of the file and starting address is then determined. The Am8530H Serial Communications Controller must now be initialized for an SDLC mode of operation with DMA request on transmit or receive.

The initialization scheme for the Am8530H involves setting up the various modes of operation followed by enabling the transmitter, the receiver, and DMA request. The CRC scheme of the Am8530H is used to ensure data integrity at the receive end. Finally, the interrupts are enabled if the Interrupt Mode of data transfer is to be used.

It is important to follow the data initialization sequence as shown in the software routine for correct operation of the SCC. The DMA controller of the PC can then be loaded with the starting address of the data and the length of file (number of bytes to be transmitted). The DMA channel must be enabled upon completion of initialization. Data transmission starts as soon as DMA is enabled. The transmit-underrun latch must be reset by writing a C0H to WR0 of the Am8530H. This command controls the transmission of CRC at the end of transmission.

At the receiving station, the address (first byte after flags) of the incoming data is compared with the device address in WR6 of the Am8530H. The remaining data are received only if an address match occurs. This process does not involve any CPU interaction. The EOM and CRC errors are indicated in RR0 of the Am8530H.

The length of the message is transmitted first, and then the entire message is transmitted. Between these two transmissions, flags (7EH) are sent on the line.

In this program, CPU polls the Am8530H to determine End-Of-Message (EOM). Using the same hardware connections, the SCC can be programmed to interrupt on special receive conditions to indicate an EOM to the CPU.

Channel B of the Am8530H is initialized for asynchronous communication at 19.2 kbaud. The asynchronous transmit routine polls bit D2 of Read Register 0 to determine a transmit buffer empty condition. Writing a byte of data to the transmit buffer resets this bit. Address line AD0 differentiates between a command and data access to the Am8530H.

Similarly, on the receive side, bit D0 of Read Register 0 is monitored to determine a receive character available condition. This bit is reset if the receive FIFO is completely empty. Address line AD1 selects either synchronous or asynchronous data transfers. Hence, before transmission, the user can select whether the data transfer is over a 1 Mb/s-network to similar PCs, or over a slower link to a printer.

SUMMARY

The Am8530H can be software-manipulated to perform at a higher degree of sophistication without any change in hardware connections.

Changing or adding to the software does not affect the Am7960 operation. Hence, the Am7960 provides an easy upgrade (high-speed, greater distance, common-mode isolation) for most modern modem circuits that use RS-422 drivers and receivers.

SOFTWARE ROUTINES

Software to Transmit Data at 1 Mb/s Using DMA

```

#include "stdio.h"
#define arraysize 40      /*size of array for the 8530 sync. init*/
#define port 0x0382      /*I/O port address for the SCC channel A*/
#define aport 0x0380     /*I/O port address for 8530 channel B*/
#define aported 0x0381  /*I/O data address for 8530 channel B*/
#define arraysiz 18     /*size of array for the 8530 async. init*/
unsigned char *ptr;
unsigned int segread();
struct(int scs, sss, sds, ses; ) rv;
unsigned long int data_segment;
unsigned long int data_seg;
unsigned int num;
unsigned long int adrr;
    /*TRANSMIT ROUTINE*/
main()
{
    unsigned char var_nam, string1[8], N, n;
    unsigned int result, res;
do
{
    /*This routine chooses between synchronous
    and asynchronous data transfers*/
    printf("Do you want to print a file(Y/N)? ");
    var_nam = scanf("%s", string1);
    result = strcmp(string1,"N");
    res = strcmp(string1,"n");
if(result != 0 && res != 0)
{
    /*Main routine for asynchronous data transfer*/
    printf("Asynch transmit\n");
    opnfile(); /*Read file from disk into system memory*/
    asccinit(); /*Initialize the 8530 for asynchronous trans-
mit*/
    trnum(); /*Transmit length of file*/
    cont();
    atrans(); /*Transmit the entire file*/
}
else
{
    /*Main routine for synchronous data transfer*/
    printf("Synchronous transmit\n");
    opnfile();
    sccinit();
    dmainit();
    cont();
    dminit();
}
    /*This allows the user to continue transmission of next
    file*/
    printf("Do you want to transmit another file(Y/N)? ");
    var_nam = scanf("%s", string1);
    result = strcmp(string1,"N");
    res = strcmp(string1,"n");
}
while(result != 0 && res != 0);
}

```

```

/*THIS ROUTINE LOADS THE FILE FROM DISK TO BUFFER MEMORY*/
opnfile()
{
char var_nam, name[16],*ptrr;
extern char *alloc( );
unsigned int fd, endpos, begpos, count, numd;
unsigned int;
int num_read, i, numr;
printf("Enter name of file to be transferred: ");
var_nam = scanf("%s", name);
fd = fopen(name, "rb");
endpos = fseek(fd,OL,2); /*looks for end of file*/
fclose(fd);
fd = open(name, BREAD); /*opens the file as binary
file*/
if(fd<0) { fputs("file not opened", stdout); return;}
ptr = alloc(endpos+1); /*allocates memory space for
file
beginning at ptr*/
for(i=0;i<endpos;i++) *(ptr+i)='\0';
ptrr = ptr;
num = 0;
num_read = 1;
while(num_read!=0)
{
/*This reads the file from disk starting at location ptrr*/
num_read = read(fd,ptrr,endpos);
num = num + num_read; /*calculates length of file*/
ptrr = ptrr + num_read;
}
ptr = ptr - 2;
num = num + 2;
*ptr = num; /*appends lower byte of length to beginning of
file*/

ptr++;
numd = num >> 0x08;
*ptr = 0x02; /*address of receiving device is attached*/
addr = 01;

segread(&rv);
data_segment = rv.sds;
data_seg = data_segment << 4;
addr = data_seg + (long int) ptr; /*absolute 20-bit address
is calculated
/*this is required by the DMA controller*/
/*num_read contains:
if -1 error
if 0 EOF
if >0 number of characters put in buffer*/
close(fd);
return;
}
/*THIS ROUTINE INITIALIZES THE 8530 FOR TRANSMIT*/
sccinit()
{
unsigned char array[arraysize]; /*array to initialize SCC
registers*/

unsigned int i+0;

```

```

unsigned char temp;      /*temporary storage for transmit/receive
                          character

array[0]=0x9
array[1]=0xC0;          /*hardware reset the 8530*/
array[2]=0x4
array[3]=0x20;          /*x1 clock, SDLC mode, parity disable*/
array[4]=0x1;
array[5]=0x40;          /*choose DMA request on transmit*/
array[6]=0x3;
array[7]=0xFC;          /*Rx 8bits/char, autoenabled, hunt mode*/
array[8]=0x5;
array[9]=0x63;          /*Tx 8bits/char, RTS enabled, TxCRC
                          enabled*/

array[10]=0x6;
array[11]=0x02;         /*address for this device is 02*/
array[12]=0x7;
array[13]=0x7E;         /*SDLC flag pattern 01111110*/
array[14]=0x9;
array[15]=0x02;         /*No vector is returned*/
array[16]=0xA;
array[17]=0x00;         /*Send CRC and Flag on underrun, do not
                          abort*/

array[18]=0xB;
array[19]=0x08;         /*rec. clock=RTxC pin, Transmit clk=TRxC
                          pin*/

array[20]=0xE;
array[21]=0x00;
array[22]=0x3;
array[23]=0xFD;         /*Rx enable*/
array[24]=0x5;
array[25]=0x6B;         /*Tx enable*/
array[26]=0x00;
array[27]=0x80;         /*reset TxCRC*/
array[28]=0x1;
array[29]=0xC0;         /*DMA request enabled*/
array[30]=0xF;
array[31]=0x08;         /*disable all interrupts except DCD
                          input*/

array[32]=0x0;
array[33]=0x10;         /*reset external/status interrupt twice*/
array[34]=0x0;
array[35]=0x10;
array[36]=0x1;
array[37]=0xC9;         /*Rx interrupt on 1st char. or special
                          condition*/

array[38]=0x9;
array[39]=0x0A          /*set master interrupt enable to 1*/
    /*BEGIN INITIALIZATION ROUTINE*/
temp = inportb(port);    /*read from RR0*/
while(i<arraysize)
    {
        outportb(port, array[i++]);
    }
}
/*THIS ROUTINE INITIALIZES THE 9517 DMA CONTROLLER TO TRANSMIT
LENGTH OF FILE*/
dmainit()
{

```

```

unsigned int lsb, temp, msb, latch, wrdh, wrdl, tmp1, start;
unsigned int bytn, byt, tmp2;
outportb(0x09, 0x01); /*clear all DMA requests on channel 1*/
outportb(0x0A, 0x05); /*mask channel 1 DMA request*/
outportb(0x0B, 0x49); /*mode register for single transfer mode,
                        read, auto init, address increment*/

lsb = addr & 0xFF;
temp = addr >> 0x08; /*rotate ptr 8 bits to get msb*/
msb = temp & 0xFF;
temp = temp >> 0x08; /*rotate 8 bits to get sector address*/
latch = temp & 0x0F;
outportb(0x81, latch); /*load sector address into DMA page reg-
ister*/
outportb(0x02, lsb); /*lower byte of starting address*/
outportb(0x02, msb); /*upper byte of starting address*/
start = addr & 0xFFFF;
bytn = 0x03: /*address and 2 bytes for length are
transmit*/
wrld = bytn & 0xFF /*lower order byte of wordcount*/
tmp1 = bytn >> 0x08; /*rotate wordcount 8 bits for msb*/
wrhd = tmp1 & 0xFF: /*upper byte of wordcount*/
outportb(0x03, wrld); /*this is the lower byte of # of bytes
                        that fit within the first sector*/
outportb(0x03, wrhd); /*upper byte of wordcount*/
outportb(0x0A, 0x01); /*enable DMA*/
outportb(port, 0x00);
outportb(port, 0xC0); /*reset transmit underrun latch*/
}
/*THIS ROUTINE INITIALIZES THE 9517 DMA CONTROLLER TO TRANSMIT
ENTIRE/
dminit()
{
unsigned int lsb, temp, msb, latch, wrdh, wrdl, tmp1, start;
unsigned int bytn, byt, tmp2;
outportb(0x09, 0x01); /*clear all DMA requests on channel 1*/
outportb(0x0A, 0x05); /*mask channel 1 DMA request*/
outportb(0x0B, 0x49); /*mode register for single transfer mode,
                        read, auto init, address increment*/

lsb = addr & 0xFF;
temp = addr >> 0x08; /*rotate ptr 8 bits to get msb*/
latch = temp & 0x0F;
outportb(0x81, latch); /*load sector address into dma page reg-
ister*/
outportb(0x02, lsb); /*lower byte of starting address*/
outportb(0x02, msb); /*upper byte of starting address*/
start = addr & 0xFFFF;
bytn = num;
wrld = bytn & 0xFF; /*lower order byte of wordcount*/
tmp1 = bytn >> 0x08; /*rotate wordcount 8 bits for msb*/
wrhd = tmp1 & 0xFF; /*upper byte of wordcount*/
outportb(0x03, wrld); /*this is the lower byte of # that fit
                        within the first sector*/
outportb(0x03, wrhd); /*upper byte of wordcount*/
outportb(0x04, 0x01); /*enable DMA*/
outportb(port, 0x00);
outportb(port, 0xC0); /*reset transmit underrun latch*/
}
cont() /*arbitrary time delay routine*/

```

```

    {
    unsigned long int count;
    count = 0;
    while(count<35550)
    {
        count++;
    }
}

/*THIS ROUTINE INITIALIZES THE 8530 FOR ASYN-
CHRONOUS TRANSMIT*/
ascctinit()
{
    unsigned char array[arraysiz], temp;
    unsigned int i=0;
    array[0]=0x09;
    array[1]=0xC0;    /*hardware reset*/
    array[2]=0x4;
    array[3]=0x44;    /*X16 clock, 1 stop bits*/
    array[4]=0x3;
    array[5]=0xC0;    /*8 bits/char.*/
    array[6]=0x5;
    array[7]=0x60;    /*8 bits/char.*/
    array[8]=0xB;
    array[9]=0x56;    /*RxC=BR gen, TxC=BR, TRxCout=BR*/
    array[10]=0xC;
    array[11]=0x06;   /*set BR gen for 19.2 kBaud*/
    array[12]=0xD;
    array[13]=0x00;
    array[14]=0xE;
    array[15]=0x07;   /*set DTR/REQ, enable BR gen, PCLK = BR
                        source*/

    array[16]=0x5;
    array[17]=0x68;   /*Enable transmitter*/
/*BEGIN ASYNCHRONOUS ROUTINE*/
temp = inportb(apor);/*read from RR0 to set up state machine*/
while(i<arraysiz)
    {
        outportb(apor, array[i++]);
    }
}

/*TRANSMIT FILE ASYNCHRONOUSLY AT 19.2 kBaud*/
atrans()
{
    unsigned int temp, tmp, tx;
    unsigned int i, count;
    temp = 0;
    num = num + 1;
    for (i=0; i<num; i++) /*process the loop until all chars. are
                            transmitted*/
        {
            tx = 0;
            while(tx==0)
                {
                    temp = inportb(apor);    /*load RR0
to check Tx buffer empty bit*/
                    tx = temp & 0x04;
                }
        }
}

```

```
        outportb(aportd, *ptr++);        /*output a character to
                                          transmit buffer*/
    }
}
/*TRANSMIT LENGTH OF FILE ASYNCHRONOUSLY AT 19.2 kBaud*/
trnum()
{
    unsigned char tmp, temp, tx;
    unsigned int i, count;
    for (i=0; i<0x03; i++)                /*process the loop until
                                          length of file is
                                          transmitted*/
    {
        tx = 0;
        while(tx==0)
        {
            temp = 0;
            temp = inportb(aport);/*load RR0 to check Tx buffer empty bit*/
            tx = temp & 0x04;
        }
        outportb(aport, *ptr++);/*output a character to transmit buffer*/
    }
    ptr = ptr - 3;
}
```

Software to Receive Data at 1 Mb/s using DMA

```

#include "stdio.h"
#define arraysize 40      /*size of array for the 8530 init*/
#define port 0x0382      /*I/O port address for the SCC channel A*/
#define aport 0x0380     /*I/O port address for 8530 channel B*/
#define aported 0x0381   /*I/O data address for 8530 channel B*/
#define arraysiz 22     /*size of array for 8530 asynch. init.*/
char *ptr;
unsigned int segread();
struct{int scs, sss, sds, ses; } rv;
unsigned long int data_segment;
unsigned long int data_seg;
unsigned int num;
unsigned long int adrr;
        /*RECEIVE ROUTINE*/
main()
{
    unsigned int result, res;
    char var_nam, stringl[8], N, n;
    do
    {
        /*Choose synchronous or asynchronous receiving*/
        printf("IS THIS DEVICE A PRINTER(Y/N)? ");
        var_nam = scanf("%s", stringl);
        result = strcmp(stringl, "N");
        res = strcmp(stringl, "n");
    }
    if(result!=0 && res!=0)
    {
        /*Main routine for asynchronous receive*/
        num = 0x03;
        opnfile();
        asccinit(); /*Initialize 8530 for async rec.*/
        printf("WAITING FOR DATA\n");
        recnum(); /*Receive length of file*/
        length(); /*Determine length of file*/
        opnfile();
        recfile(); /*Receive the entire file*/
        printf("WOW!! I RECEIVED THE DATA!\N");
        closfile(); /*Transfer received file to disk*/
    }
    else
    {
        /*Main routine for synchronous receive*/
        num = 0x03;
        opnfile();
        sccinit();
        dmainit();
        printf("WAITING FOR DATA\n");
        end();
        length();
        opnfile();
        dminit();
        end();
        printf("WOW!! I RECEIVED THE DATA\n");
        closfile();
    }
    /*Allows user continuous reception of files*/
    printf("Do you wish to receive another file(Y/N)? ");

```

```

var_nam = scanf("%s", string1);
result = strcmp(string1,"N");
res = strcmp(string1,"n");
}
while(result!=0 && res!=0);
}
/*THIS ROUTINE SETS A VALUE FOR THE STARTING ADDRESS AND ALLO-
CATES
SPACE IN MEMORY TO ACCOMMODATE ENTIRE LENGTH OF FILE*/
opnfile()
{
extern char *alloc( );
unsigned int i;
ptr = alloc(num);
for(i=0; i<num; i++) *(ptr+i)='\0';
ptr--;
num = num + 1;
addr = 01;
segread(&rv);
data_segment = rv.sds;
data_seg = data_segment << 4;
addr = data_seg + (long int) ptr;
}
/*THIS ROUTINE INITIALIZES THE 8530 FOR RECEIVE*/
sccinit()
{
unsigned char array[arraysize]; /*array to initialize SCC reg-
isters*/
unsigned int i=0;
unsigned char temp; /*temporary storage for
transmit/receive characters*/

array[0]=0x9;
array[1]=0xC0; /*hardware reset the 8530*/
array[2]=0x4;
array[3]=0x20; /*x1 clock, SDLC mode, parity disable*/
array[4]=0x1;
array[5]=0x40; /*choose DMA request on receive*/
array[6]=0x3;
array[7]=0xFC; /*Rx 8 bits/char, autoenabled, hunt mode,
receive crc enable*/

array[8]=0x5;
array[9]=0x63; /*Tx 8 bits/char, RTS enabled, TxCRC
enabled*/

array[10]=0x6;
array[11]=0x02; /*address for this device is 01*/
array[12]=0x7;
array[13]=0x7E; /*SDLC flag pattern 01111110*/
array[14]=0x9;
array[15]=0x02; /*No vector is returned*/
array[16]=0xA;
array[17]=0x00; /*Send CRC and Flag on underrun, do not
abort*/

array[18]=0xB;
array[19]=0x08; /*rec. clock=RTxC pin, Transmit clk=TRxC
pin*/

array[20]=0xE;
array[21]=0x00;
array[22]=0x3;

```

```

    array[23]=0xFD;    /*Rx enable*/
    array[24]=0x5;
    array[25]=0x6B;   /*Tx enable*/
    array[26]=0x00;
    array[27]=0x80;   /*reset TxCRC*/
    array[28]=0x1;
    array[29]=0xE0;   /*DMA request enabled*/
    array[30]=0xF;
    array[31]=0x00;   /*disable all interrupts*/
    array[32]=0x0;
    array[33]=0x10;   /*reset external/status interrupt twice*/
    array[34]=0x0;
    array[35]=0x10;
    array[36]=0x1;
    array[37]=0xE0;   /*Rx interrupt on special condition*/
    array[38]=0x9;
    array[39]=0x02;   /*set master interrupt enable to 1*/
                        /*BEGIN INITIALIZATION ROUTINE*/
/*The following dummy read statement is used to ensure that SCC
has initialized properly*/
temp = inportb(port); /*read from RR0*/
    while(i<arraysize)
    {
        outportb(port, array[i++]);
    }
}
/*THIS ROUTINE INITIALIZES THE 9517 DMA CONTROLLER*/
dmainit()
{
    unsigned int lsb, temp, msb, latch, wrdh, wrdl, tmp1, start;
    unsigned int bytn, byt, tmp2;
    outportb(0x09, 0x01); /*clear all DMA requests on channel 1*/
    outportb(0x0A, 0x05); /*mask channel 1 DMA request*/
    outportb(0x0B, 0x45); /*mode register for single transfer mode,
                           read, auto init, address increment*/

    lsb = addr & 0xFF;
    temp = addr >> 0x08; /*rotate ptr 8 bits to get msb*/
    msb = tem[ & 0xFF;
    temp = temp >> 0x08; /*rotate 8 bits to get sector address*/
    latch = temp & 0x0F;
    outportb(0x81, latch); /*load sector address into DMA page reg-
ister*/
    outportb(0x02, lsb); /*lower byte of starting address*/
    outportb(0x02, msb); /*upper byte of starting address*/
    start = addr & 0xFFFF;
    bytn = 0x03;
    wrdl = bytn & 0xFF; /*lower order byte of wordcount*/
    tmp1 = bytn >> 0x08; /*rotate wordcount 8 bits for msb*/
    wrdh = tmp1 & 0xFF; /*upper byte of wordcount*/
    outportb(0x03, wrdl); /*this is the lower byte of # of bytes
                           that fit within the first sector
    outportb(0x03, wrdh); /*upper byte of wordcount*/
    outportb(0x0A, 0x01); /*enable DMA*/
}
/*THIS ROUTINE WRITES THE MEMORY BUFFER ON TO THE DISK*/
closfile()
{
    char var_nam, name[10];

```

```

unsigned int fd;
int num_wr;
ptr = ptr + 3;          /*deletes device address and length of
                        file before writing onto the disk*/

num = num - 3;
printf("What shall I name the received file?");
var_nam = scanf("%s", name);
fd = creat(name, BWRITE);
    if(fd<0) abort("\ncreat error occured\n");
num_wr = write(fd, ptr, num);
printf("Number of bytes written to file rec.dat =
%d\n",num_wr);
    close(fd);
}
/*THIS ROUTINE INITIALIZES THE DMA CONTROLLER FOR RECEIVE*/
dminit()
{
    unsigned int lsb, temp, msb, latch, wrdh, wrdl, tmp1, start;
    unsigned int bytn, byt, tmp2;
    outportb(0x09, 0x01); /*clear all DMA requests on channel 1*/
    outportb(0x0A, 0x05); /*mask channel 1 DMA request*/
    outportb(0x0B, 0x45); /*mode register for single transfer mode,
                           read, auto init, address increment*/

    lsb = addr & 0xFF;
    temp = addr >> 0x08; /*rotate ptr 8 bits to get msb*/
    msb = temp & 0xFF;
    temp = temp >> 0x08; /*rotate 8 bits to get sector address*/
    latch = temp & 0x0F;
    outportb(0x81, latch); /*load sector address into DMA page
                           register*/

    outportb(0x02, lsb); /*lower byte of starting address*/
    outportb(0x02, msb); /*upper byte of starting address*/
    start = addr & 0xFFFF;

    bytn = num;
    wrdl = bytn & 0xFF; /*lower order byte of wordcount*/
    tmp1 = bytn >> 0x08; /*rotate wordcount 8 bits for masb*/
    wrdh = tmp1 & 0xFF; /*upper byte of wordcount*/
    outportb(0x03, wrdl); /*this is the lower byte of # of bytes
                           that fit within the first sector*/

    outportb(0x03, wrdh); /*upper byte of wordcount*/
    outportb(0x0A, 0x01); /*enable DMA*/
    outportb(port, 0x00);
    outportb(port, 0x00); /*reset transmit underrun latch*/
}
/*THIS ROUTINE POLLS BIT D7 IN RR1 TO DETECT AN END-OF-MES-
SAGE*/
end()
{
    unsigned char temp, ef;
    unsigned int count;
    ef = 0;
    temp = 0
    inportb(port);
    outportb(port, 0x00);
    outportb(port, 0x30);
while(ef==0)
    {
        count = 0;

```

```

        inportb(port);
        outportb(port, 0x01);
        temp = inportb(port);
        while(count<300)
            {
                count++;
            }
        ef = temp & 0x80;
    }
}
/*THIS ROUTINE LOADS THE LENGTH OF THE FILE TO BE RECEIVED*/
length()
{
    unsigned int *iptr;
    ptr++;
    iptr = ptr;    /*assigns iptr as an address of a 16-bit
                    integer*/

    num = *iptr;
}
/*THIS ROUTINE INITIALIZES THE 8530 FOR ASYNC. RECEIVE*/
ascscinit()
{
    unsigned char array[arraysiz], temp;
    unsigned int i=0;
    array[0]=0x9;
    array[1]=0xC0;    /*hardware reset*/
    array[2]=0x4;
    array[3]=0x44;    /*X16 clock, 1 stop bits*/
    array[4]=0x3;
    array[5]=0xE0;    /*8 bits/character*/
    array[6]=0x5;
    array[7]=0x60;    /*8 bits/character*/
    array[8]=0xB;
    array[9]=0x56;    /*RxC = BR gen, TxC = BR gen, TRxCout =
BR*/

    array[10]=0xC;
    array[11]=0x06;    /*set BR gen for 19.2 kBaud*/
    array[12]=0xD;
    array[13]=0x00;
    array[14]=0xE;
    array[15]=0x03;    /*set DTR/REQ, enable BR gen, PCLK = BR
source*/
    array[16]=0x3;
    array[17]=0xE1;    /*enable receiver*/
        temp = inportb(aport);    /*Read from RR0 to
set up state machine*/
    while(i<arraysiz)
        {
            outportb(aport, array[i++]);
        }
}
/*RECEIVE FILE ASYNCHRONOUSLY AT 19.2 kBaud*/
recfile()
{
    unsigned char temp, rx;
    unsigned int i, count;
    rx = 0;
    temp = 0;

```

```

        for(i=0; i < num; i++)/*process the loop until all char are
                                received*/
        {
            rx = 0;
            while(rx==0)
            {
                temp = inportb(aport);/*load RR0 to check for rec. char
available*/
            rx = temp & 0x01;
            }
            *ptr = inportb(aportd);/*Input a char from the rec. FIFO*/
            ptr++;
        }
        ptr = ptr - num;        /*Restore initial value of pointer*/
    }
    /*RECEIVE LENGTH OG FILE ASYNCHRONOUSLY AT 19.2 kBaud*/
    recnum()
    {
        unsigned char temp, rx;
        unsigned int i, count;
        for(i=0; i < 0x03; i++)/*process the loop until all char are
received*/
        {
            rx = 0;
            while(rx==0)
            {
                temp = inportb(aport);/*load RR0 to check for rec. char
available*/
            rx = temp & 0x01;
            }
            *ptr = inportb(aportd);/*Input a char from the rec. FIFO*/
            ptr++;
        }
        ptr = ptr - 0x03;
    }
    ;
    .....
    .....

```

This datasheet has been downloaded from:

www.DatasheetCatalog.com

Datasheets for electronic components.



LittleDiode supplies new, hard to find or obsolete electronic components and semiconductors all over the world.

With over two million different components listed you are sure to find the part you need.

Feel free to visit us today at our online store:

LittleDiode.com

Looking forward to providing you with the best possible service.