

# AN2020S

## Dual Balanced Modulator IC

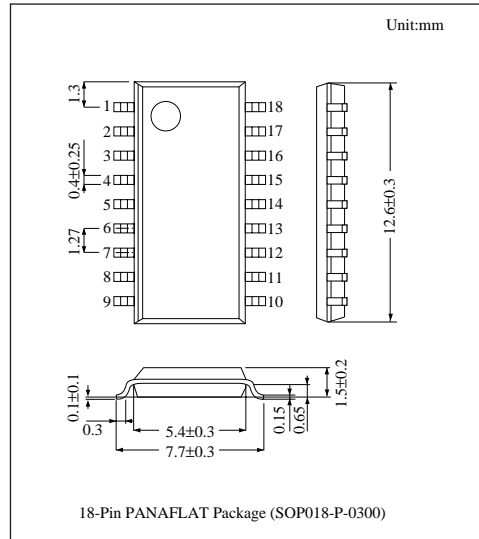
### ■ Overview

The AN2020S is an integrated circuit which incorporates two balanced modulators.

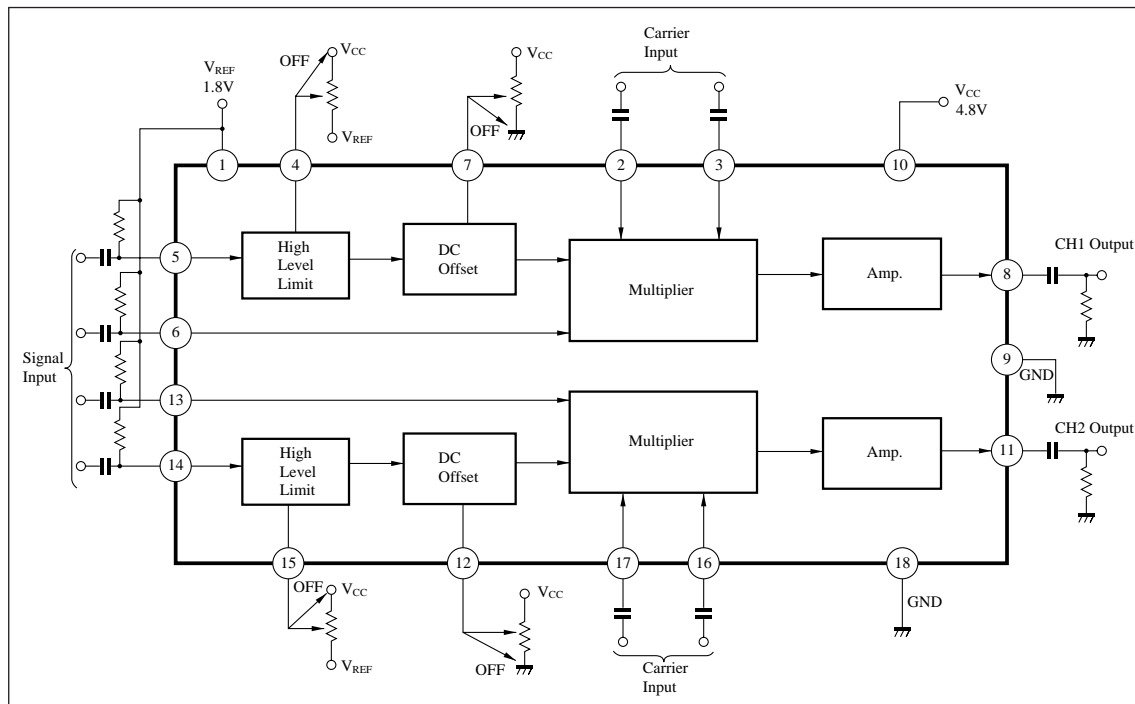
It can be used for a video-frequency-band dual amplifier, variable gain amplifier, balanced modulator, demodulator, etc.

### ■ Features

- Low voltage operation: 4.8V (typ.)
- Carrier suppression: -43dB (typ.)
- Dual balanced modulator
- Superimpose of DC offset to input signal available
- External adjustment of high level limitation to input signal



### ■ Block Diagram





LittleDiode supplies new, hard to find or obsolete electronic components and semiconductors all over the world.

With over two million different components listed you are sure to find the part you need.

Feel free to visit us today at our online store:

[LittleDiode.com](http://LittleDiode.com)

Looking forward to providing you with the best possible service.