

AN3360SB

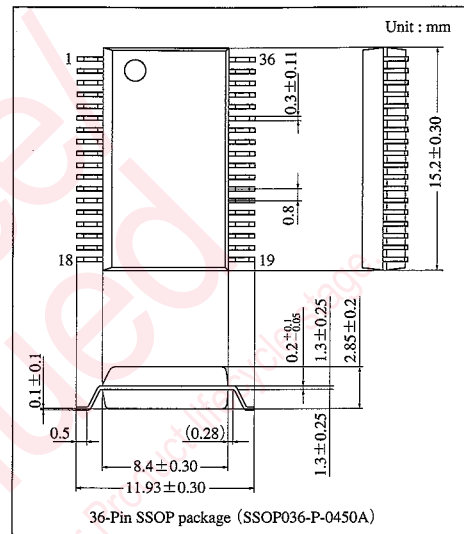
4-Head Hi-Fi VCR Recording/Playback Amplifier IC

Overview

The AN3360SB is a recording/playback amplifier IC for 4-head Hi-Fi VCRs. It incorporates two head amplifiers for HiFi-Audio, and four amplifiers for video-signal REC/PB.

Features

- Playback $V_{CC}=5.0V$, recording $V_{CC}=5.0V$, main $V_{CC}=5.0V$
- Built-in RF-AGC circuit
- Built-in automatic tracking I/O circuit
- Built-in Hi-Fi audio recording AGC circuit



Absolute Maximum Ratings

Parameter	Symbol	Rating	Unit
Supply voltage (1)	Main V_{CC}	6	V
Supply voltage (2)	PB V_{CC}	6	V
Supply voltage (3)	Rec V_{CC}	6	V
Power dissipation ^{Note 2)}	P_D	440	mW
Operating ambient temperature ^{Note 1)}	T_{opr}	-20 to +70	°C
Storage temperature ^{Note 1)}	T_{stg}	-55 to +125	°C

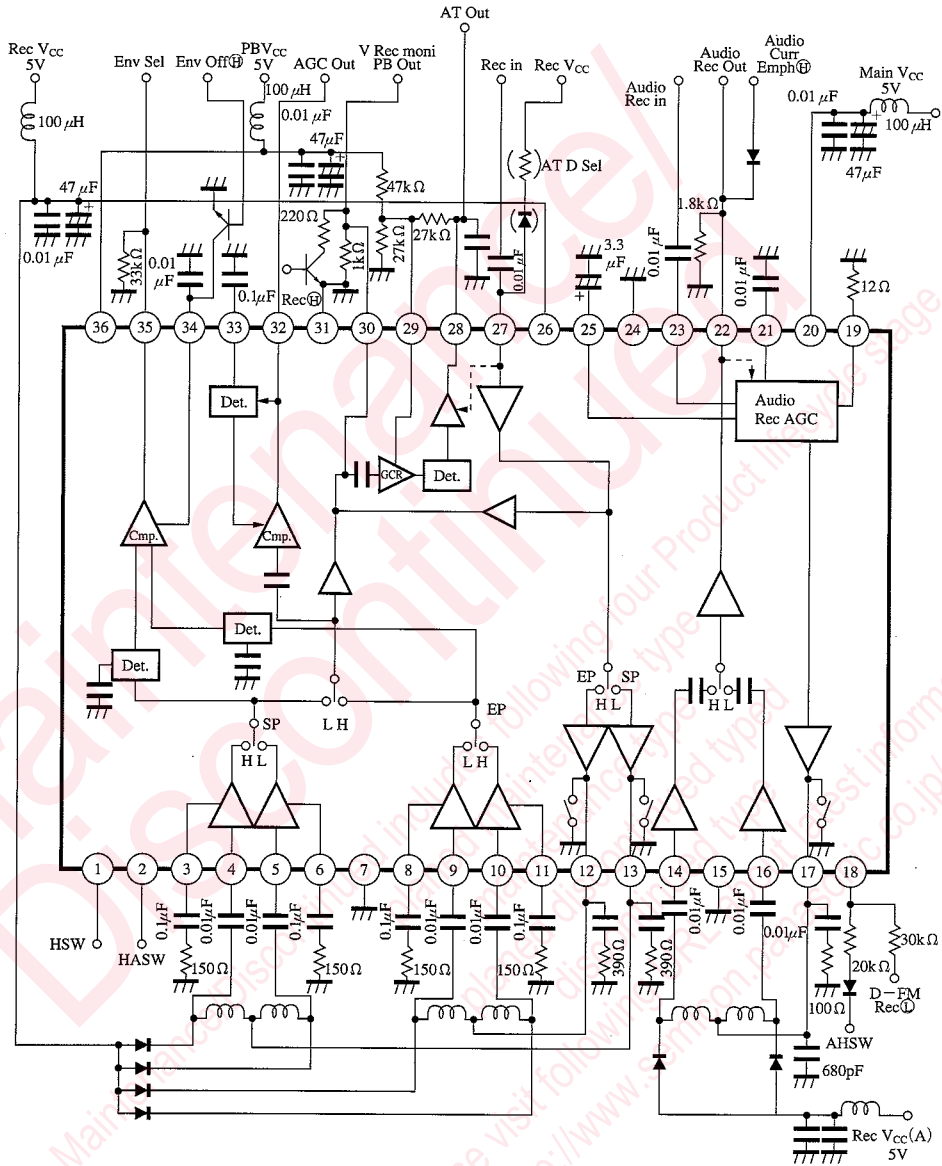
Note 1) $T_a=25^\circ\text{C}$ except operating ambient temperature and storage temperatures.

Note 2) Allowable power dissipation of the package at $T_a=70^\circ\text{C}$.

Recommended Operating Range ($T_a=25^\circ\text{C}$)

Parameter	Symbol	Range
Operating supply voltage range (1)	Main V_{CC}	4.5V to 5.5V
Operating supply voltage range (2)	PB V_{CC}	4.5V to 5.5V
Operating supply voltage range (3)	Rec V_{CC}	4.5V to 5.5V

■ Block Diagram



ICs for VCR

■ Electrical Characteristics (Ta=25±2°C)

Parameter	Symbol	Condition	min	typ	max	Unit
PB V _{CC} I _{total}	I ₃₆	PB V _{CC} =5.0V, Main V _{CC} =5.0V	16	26 *	36	mA
Main V _{CC} I _{totalPB}	I _{20PB}	PB V _{CC} =5.0V, Main V _{CC} =5.0V	5	10 *	15	mA
Video HSW threshold voltage	V _{TH1}	PB V _{CC} =5.0V, Main V _{CC} =5.0V	1.0	2.5 *	3.8	V
Video HASW (PB) threshold voltage	V _{TH2PB}	PB V _{CC} =5.0V, Main V _{CC} =5.0V	1.0	2.5 *	3.8	V
Video HASW (Rec) threshold voltage	V _{TH2Rec}	Rec V _{CC} =5.0V, Main V _{CC} =5.0V	0.5	1.0 *	2.5	V
Video AT Drange Sel threshold voltage	V _{TH27}	PB V _{CC} =5.0V, Main V _{CC} =5.0V	1.0	1.7 *	3.8	V
Audio HSW threshold voltage	V _{TH18a}	PB V _{CC} =5.0V, Main V _{CC} =5.0V	2.2	2.9 *	3.8	V
Video CH1 gain	G ₄₋₃₀	v _{in} =0.3mV _{P-P} , f _{in} =3.58MHz	53	57 *	61	dB
Video CH2 gain	G ₅₋₃₀	v _{in} =0.3mV _{P-P} , f _{in} =3.58MHz	53	57 *	61	dB
Video CH3 gain	G ₉₋₃₀	v _{in} =0.3mV _{P-P} , f _{in} =3.58MHz	53	57 *	61	dB
Video CH4 gain	G ₁₀₋₃₀	v _{in} =0.3mV _{P-P} , f _{in} =3.58MHz	53	57 *	61	dB
Audio CH1 gain	G ₁₄₋₂₂	v _{in} =0.1mV _{P-P} , f _{in} =2MHz	76	80 *	84	dB
Audio CH2 gain	G ₁₆₋₂₂	v _{in} =0.1mV _{P-P} , f _{in} =2MHz	76	80 *	84	dB
Video CH1 input conversion noise	N ₄₋₃₀	1MHzBPF output is divided by gain	—	—	1.0	μV _{rms}
Video CH2 input conversion noise	N ₅₋₃₀	1MHzBPF output is divided by gain	—	—	1.0	μV _{rms}
Video CH3 input conversion noise	N ₉₋₃₀	1MHzBPF output is divided by gain	—	—	1.0	μV _{rms}
Video CH4 input conversion noise	N ₁₀₋₃₀	1MHzBPF output is divided by gain	—	—	1.0	μV _{rms}
Audio CH1 input conversion noise	N ₁₄₋₂₂	1MHzBPF output is divided by gain	—	0.7 *	1.0	μV _{rms}
Audio CH2 input conversion noise	N ₁₆₋₂₂	1MHzBPF output is divided by gain	—	0.7 *	1.0	μV _{rms}
Video HSW DC unbalance (1)	ΔV _{HSW1}	HASW : ⊖	—	—	100	mV _{P-P}
Video HSW DC unbalance (2)	ΔV _{HSW2}	HASW : ⊕	—	—	100	mV _{P-P}
Video HASW DC unbalance (1)	ΔV _{HASW1}	HSW : ⊖	—	—	100	mV _{P-P}
Video HASW DC unbalance (2)	ΔV _{HASW2}	HSW : ⊕	—	—	100	mV _{P-P}
Video RF AGC output amplitude	v ₃₂	v _{in} =0.3mV _{P-P} , f _{in} =3.58MHz	130	200 *	270	mV _{P-P}
Video RF AGC control sensitivity	Δv ₃₂	$\frac{v_{in}=0.6mV_{P-P}}{v_{in}=0.15mV_{P-P}}$	—	—	3.0	dB
Video Envelope output amplitude	v ₃₅	v _{in} =0.3mV _{P-P}	3.5	—	—	V _{P-P}
Auto tracking output at no-input	V _{28min.1}	PB V _{CC} =5.0V	0	0.5 *	1.0	V
Auto tracking output difference at no-input	$\frac{V_{28min.2}}{-V_{28min.1}}$	PB V _{CC} =5.0V	0.25	0.55 *	0.85	V
Auto tracking max. output	V _{28max.}	v _{in} =1000mV _{P-P} , f _{in} =3.58MHz	4.2	4.8 *	—	V
Audio HSW DC unbalance	ΔV _{AHSW}	PB V _{CC} =5.0V, Main V _{CC} =5.0V	—	—	20	mV _{P-P}
Main V _{CC} I _{totalRec}	I _{20Rec}	Rec V _{CC} =5.0V, Main V _{CC} =5.0V	8	14 *	20	mA
Rec V _{CC} I _{total}	I ₂₆	Rec V _{CC} =5.0V, Main V _{CC} =5.0V	46	73 *	100	mA
Video SP rec-current output	i ₁₃	v _{in} =130mV _{P-P} , f _{in} =3.58MHz	17	25 *	32	mA _{P-P}
Video EP rec-current output ratio	i ₁₂ /i ₁₃	v _{in} =130mV _{P-P} , f _{in} =3.58MHz	-3.5	-1.8 *	0	dB
Video Rec f characteristics ratio	$\frac{i_{13H}(8MHz)}{i_{13}(3.58MHz)}$		-4	—	—	dB
Audio rec-current output	i ₁₇	v _{in} =130mV _{P-P} , f _{in} =2MHz	46	50 *	54	mA _{P-P}
Audio Rec AGC control characteristics	Δi ₁₇	$\frac{v_{in}=260mV_{P-P}}{v_{in}=70mV_{P-P}}$	—	0.2 *	1.0	dB
Audio Rec current emphasis ratio	i _{CE} /i ₁₇	v _{in} =130mV _{P-P} , f _{in} =2MHz	1.3	1.8 *	2.3	dB

Note) Values with an asterisk are typical ones and not guaranteed value.

■ Electrical Characteristics (cont.) (Ta=25±2°C)

Parameter	Symbol	Condition	min	typ	max	Unit
Audio D-Rec threshold voltage	V _{TH18b}	Rec V _{CC} =5.0V, Main V _{CC} =5.0V	0.4	1.0 *	1.7	V
Audio Rec current emphasis threshold voltage	V _{TH22}	Rec V _{CC} =5.0V, Main V _{CC} =5.0V	1.0	2.5 *	3.2	V
Auto tracking SP output voltage (1)	V _{28SP1}	Pin [Ⓢ] input v _{in} =400mV _{P-P} , f _{in} =3.58MHz	(3.6)	(3.9)	(4.2)	V
Auto tracking SP output voltage (2)	V _{28SP2}	v _{in} =100mV _{P-P} , f _{in} =3.58MHz	(1.6)	(2.0)	(2.4)	V
Auto tracking SP output voltage difference	V _{28EP} -V _{28SP2}	v _{in} =100mV _{P-P} , f _{in} =3.58MHz	(0.25)	(0.45)	(0.65)	V
Video Rec SP rec-current 2nd harmonics distortion	D ₁₃	v _{in} =130mV _{P-P} , f _{in} =3.58MHz	—	(-43)	(-37)	dB
Video Rec. cross modulation distortion	MD ₁₃	3.58MHz±630kHz	—	(-48)	—	dB
Audio Rec.rec.-current 2nd harmonics	D ₁₇	v _{in} =130mV _{P-P} , f _{in} =2MHz	—	(-45)	(-40)	dB
Audio Rec. cross modulation distortion 0.4MHz	MD _{0.4M}	0.4MHz-1.3MHz	—	(-50)	—	dB
Audio Rec. cross modulation distortion 0.9MHz	MD _{0.9M}	0.9MHz-1.3MHz	—	(-55)	—	dB
Video PB f characteristics ratio	v _{30H} /v ₃₀	$\frac{v_{30H}(8\text{MHz})}{v_{30H}(3.58\text{MHz})}$	(-4)	(-2.5)	—	dB
Video Rec monitor output ratio	K _{i13a/13}	v _{in} =130mV _{P-P} , f _{in} =3.58MHz	(-0.25)	(0)	(0.25)	dB

Note) Values with an asterisk are typical ones and not guaranteed values.

The characteristics value in parentheses is not a guaranteed value, but reference one on design.

■ Pin Descriptions

Pin No.	Pin name	Pin No.	Pin name
1	Video Head SW	19	Audio Rec. Curr. Moni/Ctrl
2	Video Head Amp. SW	20	Main V _{CC} (Audio)
3	Video Head Amp. dumping CH1	21	Audio Rec AGC Det
4	Video Head Amp. Input CH1	22	Audio PB Out/Curr. Emph
5	Video Head Amp. Input CH2	23	Audio Rec Input
6	Video Head Amp. dumping CH2	24	GND (Audio)
7	GND (Video Small Signal)	25	Audio Rec. C
8	Video Head Amp. dumping CH3	26	Rec. V _{CC} (Video)
9	Video Head Amp. Input CH3	27	Video Rec. Input/AT D Sel
10	Video Head Amp. Input CH4	28	Auto-tracking Out
11	Video Head Amp. dumping CH4	29	Auto-tracking GCA Ctrl
12	Video Rec Out EP (CH3, CH4)	30	Video Chroma Out/Rec Moni
13	Video Rec Out SP (CH1, CH2)	31	GND (Video)
14	Audio Head Amp. Input CH1	32	Video RF AGC Out
15	GND (Audio Small Signal)	33	Video RF AGC Det
16	Audio Head Amp. Input CH2	34	Envelope Comparator C
17	Audio Rec. Out	35	Envelope Comparator (Select) Out
18	Audio Head SW/D-Rec. SW	36	PB V _{CC} (Video)

ICs for
VCR

■ Functional Descriptions

① Playback mode

★Mode setting

•Pin^⑥ (Video PB V_{CC}) = 5.0V

•Pin^⑩ (Audio Main V_{CC}) = 5.0V

(When the video playback V_{CC} is applied, the audio subsystem switches to playback mode.)

•Pin^⑫ (Video Rec V_{CC}) = either 0V or open

(Note : Do not apply both playback V_{CC} and recording V_{CC} at the same time. Otherwise overcurrent could result.)

★Video subsystem

(1) Selecting a head amplifier output channel

	Channel	Input pin	Head SW Pin ^①	HASW Pin ^②
SP	1	4	H	L
	2	5	L	L
EP	3	9	L	H
	4	10	H	H

(2) Automatic tracking interface

•SP/EP mode switching

HASW Pin ^②	Mode
L	SP
H	EP

The inner circuit gain increases 3dB when the mode changes from SP to EP.

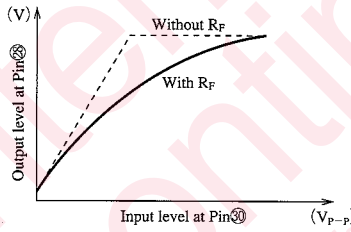
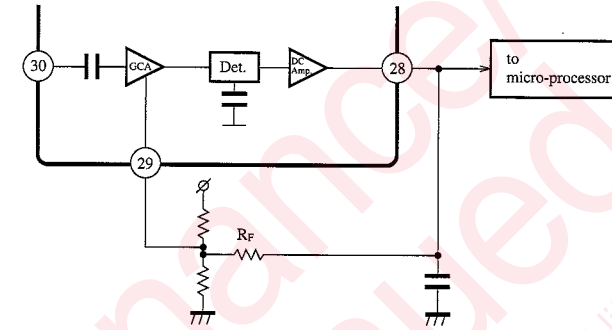
•Output offset switching

Pin ^⑦	Voltage at Pin ^⑧ with no input
Open	Approx. 0.5V
Low	Approx. 1.0V

■ Functional Descriptions (cont.)

•Automatic-tracking inner gain control

Increasing the voltage at Pin²⁹ (GCA control) decreases the tracking gain. If an external resistor R_F is connected between Pins²⁸ and ²⁹ for feedback control as shown below, the input/output characteristics are modified and become less dependent on individual IC.



(3) Envelope comparator

	Output level at Pin ³⁵
SP-side input level > EP-side input level	H
SP-side input level < EP-side input level	L

★Audio subsystem

Selecting a head amplifier output channel

Channel	Input pin	AHSW at Pin ¹⁸
1	14	H
2	16	L

ICs for VCR

■ Functional Descriptions (cont.)

② Recording mode

★ Mode setting

- Pin② (Video Rec V_{CC}) = 5.0V
- Pin⑩ (Audio Main V_{CC}) = 5.0V
- Pin⑭ (Video PB V_{CC}) = either 0V or open

★ Video subsystem

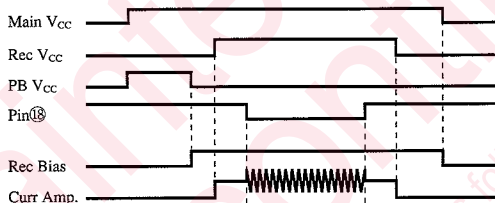
- Recording amplifier SP/EP switching

HASW at Pin②	Mode	Rec. amp. output pin
L	SP	13
H	EP	12

The gain of the internal circuit in the SP mode is about 1.8 dB higher than that of the internal circuit in the EP mode.

★ Audio subsystem

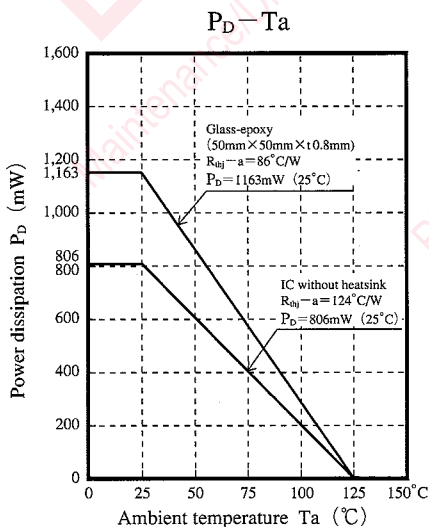
(1) Starting



(2) Adjusting the recording current level

Decreasing the external resistance at Pin⑩ increases the recording current. (The recording AGC functions so that the voltage at Pin⑩ has a voltage amplitude of 600mV_{P.P.}.)

■ Reference



Request for your special attention and precautions in using the technical information and semiconductors described in this book

- (1) If any of the products or technical information described in this book is to be exported or provided to non-residents, the laws and regulations of the exporting country, especially, those with regard to security export control, must be observed.
- (2) The technical information described in this book is intended only to show the main characteristics and application circuit examples of the products. No license is granted in and to any intellectual property right or other right owned by Panasonic Corporation or any other company. Therefore, no responsibility is assumed by our company as to the infringement upon any such right owned by any other company which may arise as a result of the use of technical information described in this book.
- (3) The products described in this book are intended to be used for standard applications or general electronic equipment (such as office equipment, communications equipment, measuring instruments and household appliances).
Consult our sales staff in advance for information on the following applications:
 - Special applications (such as for airplanes, aerospace, automobiles, traffic control equipment, combustion equipment, life support systems and safety devices) in which exceptional quality and reliability are required, or if the failure or malfunction of the products may directly jeopardize life or harm the human body.
 - Any applications other than the standard applications intended.
- (4) The products and product specifications described in this book are subject to change without notice for modification and/or improvement. At the final stage of your design, purchasing, or use of the products, therefore, ask for the most up-to-date Product Standards in advance to make sure that the latest specifications satisfy your requirements.
- (5) When designing your equipment, comply with the range of absolute maximum rating and the guaranteed operating conditions (operating power supply voltage and operating environment etc.). Especially, please be careful not to exceed the range of absolute maximum rating on the transient state, such as power-on, power-off and mode-switching. Otherwise, we will not be liable for any defect which may arise later in your equipment.
 - Even when the products are used within the guaranteed values, take into the consideration of incidence of break down and failure mode, possible to occur to semiconductor products. Measures on the systems such as redundant design, arresting the spread of fire or preventing glitch are recommended in order to prevent physical injury, fire, social damages, for example, by using the products.
- (6) Comply with the instructions for use in order to prevent breakdown and characteristics change due to external factors (ESD, EOS, thermal stress and mechanical stress) at the time of handling, mounting or at customer's process. When using products for which damp-proof packing is required, satisfy the conditions, such as shelf life and the elapsed time since first opening the packages.
- (7) This book may be not reprinted or reproduced whether wholly or partially, without the prior written permission of our company.



LittleDiode supplies new, hard to find or obsolete electronic components and semiconductors all over the world.

With over two million different components listed you are sure to find the part you need.

Feel free to visit us today at our online store:

LittleDiode.com

Looking forward to providing you with the best possible service.