

AN5437K

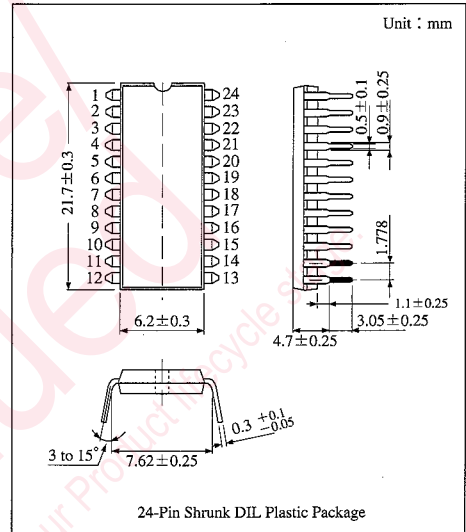
Color TV Deflection Signal Processing IC

Overview

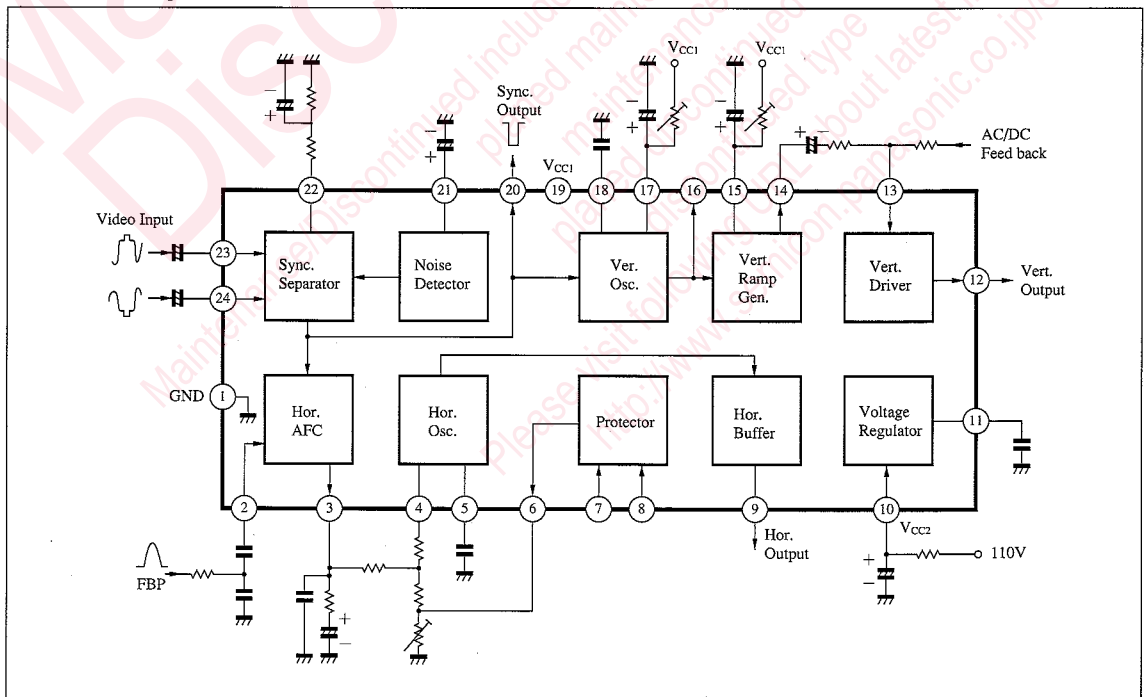
The AN5437K is an integrated circuit designed for color TV deflection signal processing circuit. It can operate with 12V power supply and is suitable for various types of color TV sets.

Features

- Built-in high voltage protector circuit by hold-down (X-ray protection)
- Built-in high performance noise canceler circuit with Lock Out prevention.
- Built-in vertical and horizontal oscillator circuit which are highly stable operation against changes in supply voltage and temperature
- 12V supply voltage operation



Block Diagram



Pin Descriptions

Pin No.	Pin name	Pin No.	Pin name
1	GND	13	Vert. saw-tooth input
2	Hor. AFC Ref. signal input	14	Vert. saw-tooth output
3	Hor. AFC output	15	Vert. saw-tooth capacitor
4	Hor. Hold volume	16	Vert. pulse output
5	Hor. Osc. capacitor	17	Vert. hold volume
6	X-Ray protector output	18	Vert. integral capacitor
7	X-Ray protector bias input	19	V _{CC1}
8	X-Ray protector input	20	Sync. sep. output
9	Hor. output	21	Noise detecting capacitor
10	V _{CC2}	22	Sync. sep. CR
11	Filter capacitor	23	Video signal input (1)
12	Vert. output	24	Video signal input (2)

Absolute Maximum Ratings (Ta = 25°C)

Parameter		Symbol	Rating		Unit
Voltage	Supply voltage	V ₁₀₋₁	10.5		V
		V ₁₉₋₁	14.4		V
	Circuit voltage	V ₂₋₁	0	10	V
		V ₅₋₁	0	9	V
		V ₇₋₁	0	V ₁₀₋₁	V
		V ₈₋₁	0	8	V
		V ₁₂₋₁	0	V ₁₉₋₁	V
		V ₁₃₋₁	0	V ₁₉₋₁	V
		V ₁₆₋₁	0	10	V
		V ₁₇₋₁	0	V ₁₉₋₁	V
		V ₁₈₋₁	0	V ₁₉₋₁	V
		V ₂₃₋₁	0	10	V
		V ₂₄₋₁	0	V ₁₉₋₁	V
		Current	Supply current	I ₁₀	16
I ₁₉	23			mA	
Circuit current	I ₃		-3	3	mA
	I ₄		-5	0	mA
	I ₅		-3	3	mA
	I ₆		0	5	mA
	I ₇		-5	5	mA
	I ₈		0	5	mA
	I ₉		-30	0	mA
	I ₁₂		-15	0	mA
	I ₁₃		-1	0	mA
	I ₁₄		-2	2	mA
	I ₁₅		-1	150	mA
	I ₁₆		-2	5	mA
	I ₁₇		0	40	mA
	I ₂₀		-1	1	mA
I ₂₁	-1	1	mA		
I ₂₂	-1	0	mA		

ICs for TV

■ Electrical Characteristics (Ta=25°C)

Parameter	Symbol	Condition	min	typ	max	Unit
Circuit current	I ₁₀	Apply 12V with 200Ω to Pin⑩	7.5	12.0	15.5	mA
	I ₁₉	V ₁₉₋₁ =12V	8.0	14.0	20.0	mA
Terminal current	V ₁₀₋₁	Apply 12V with 200Ω to Pin⑩	9.0	9.6	10.2	V
Protector input voltage	V ₈₋₁		6.8	—	9.0	V
Vertical oscillation starting voltage	V _{OSC-S(V)} V _{fVO,S}	V _{CC1} when f _{VO} is 40 to 60Hz and output becomes 0.7V _{P-P} or more	—	3.9	6.2	V
Vertical oscillation frequency	f _{VO}	V _{CC1} =12V	53	55	58	Hz
Vertical oscillation pulse width	τ _{VO}	f _{VO} =55Hz V _{CC1} =12V	390	600	820	μs
Vertical oscillation frequency change with supply voltage	Δf _{VO} V _{CC}	Oscillation frequency difference when V _{CC1} =14.4V and 9.6V	0	0.93	1.3	Hz
Vertical pull-in range	f _{PV}	Video input 1.4V _{P-P} V _{CC1} =12V	—	40	50	Hz
Vertical oscillation saw-tooth wave amplification	v _(saw)	Video input 1.4V _{P-P} V _{CC1} =12V	1.8	2.0	2.2	V _{P-P}
Horizontal oscillation starting voltage	V _{OSC-S(H)}	Pin⑩ when f _{HO} is 10 to 20kHz and output becomes 1V _{P-P} or more	—	5.2	6	V
Horizontal oscillation frequency	f _{HO}	V _{CC2} =12V	15.0	15.75	16.25	kHz
Horizontal oscillation pulse width	τ _{HO}	Oscillation pulse width ratio when f _{HO} =15.75kHz V _{CC2} =12V	31.5	35.4	38.9	%
Horizontal oscillation frequency change with supply voltage	Δf _{HO} V _{CC}	Oscillation frequency difference when V _{CC2} =14.4V and 9.6V	0	71	200	Hz
Protector operating horizontal oscillation frequency	f _{HHS}	When the protector circuit operates	17.0	18.0	20.0	kHz
Horizontal oscillation control sensitivity	β	Change rate of oscillation frequency at the flow-in/out of I _o =100μA	18	20	22	Hz/μA
Separable sync input *	V _{in(min)}	Min. amplification of separable sync input signal	—	—	1.0	V _{P-P}
Horizontal pull-in range *	f _{HP}	f _{HO} =15.7kHz	—	±600	—	Hz
f _{HO} change with ambient temperature *	Δf _{HO} Ta	Ta=-20°C to +70°C	-1.67	—	1.67	Hz/°C
Dc loop gain *	f _{CD}	μ × β	3.5	5.5	7.5	kHz/rad
Temperature change of vertical oscillation frequency *	Δf _{VO} Ta	Ta=-20°C to +70°C	—	0.3	—	Hz
Temperature change of vertical saw-tooth wave amplification *	V _{saw} Ta	Ta=-20°C to +70°C	—	—	30	mV _{P-P}

* Reference value for design.

Request for your special attention and precautions in using the technical information and semiconductors described in this book

- (1) If any of the products or technical information described in this book is to be exported or provided to non-residents, the laws and regulations of the exporting country, especially, those with regard to security export control, must be observed.
- (2) The technical information described in this book is intended only to show the main characteristics and application circuit examples of the products. No license is granted in and to any intellectual property right or other right owned by Panasonic Corporation or any other company. Therefore, no responsibility is assumed by our company as to the infringement upon any such right owned by any other company which may arise as a result of the use of technical information described in this book.
- (3) The products described in this book are intended to be used for standard applications or general electronic equipment (such as office equipment, communications equipment, measuring instruments and household appliances).
Consult our sales staff in advance for information on the following applications:
 - Special applications (such as for airplanes, aerospace, automobiles, traffic control equipment, combustion equipment, life support systems and safety devices) in which exceptional quality and reliability are required, or if the failure or malfunction of the products may directly jeopardize life or harm the human body.
 - Any applications other than the standard applications intended.
- (4) The products and product specifications described in this book are subject to change without notice for modification and/or improvement. At the final stage of your design, purchasing, or use of the products, therefore, ask for the most up-to-date Product Standards in advance to make sure that the latest specifications satisfy your requirements.
- (5) When designing your equipment, comply with the range of absolute maximum rating and the guaranteed operating conditions (operating power supply voltage and operating environment etc.). Especially, please be careful not to exceed the range of absolute maximum rating on the transient state, such as power-on, power-off and mode-switching. Otherwise, we will not be liable for any defect which may arise later in your equipment.
 - Even when the products are used within the guaranteed values, take into the consideration of incidence of break down and failure mode, possible to occur to semiconductor products. Measures on the systems such as redundant design, arresting the spread of fire or preventing glitch are recommended in order to prevent physical injury, fire, social damages, for example, by using the products.
- (6) Comply with the instructions for use in order to prevent breakdown and characteristics change due to external factors (ESD, EOS, thermal stress and mechanical stress) at the time of handling, mounting or at customer's process. When using products for which damp-proof packing is required, satisfy the conditions, such as shelf life and the elapsed time since first opening the packages.
- (7) This book may be not reprinted or reproduced whether wholly or partially, without the prior written permission of our company.



LittleDiode supplies new, hard to find or obsolete electronic components and semiconductors all over the world.

With over two million different components listed you are sure to find the part you need.

Feel free to visit us today at our online store:

LittleDiode.com

Looking forward to providing you with the best possible service.