

AN5768

TILT correction IC

■ Overview

The AN5768 is a rotation correction (TILT) IC for CRT monitor incorporating a driving transistor. It enables ± 250 mA (max.) DC current flow by connecting a coil between the output pins which operate with a reverse phase each other.

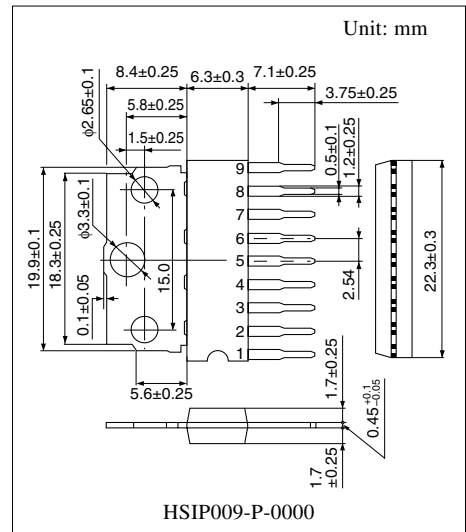
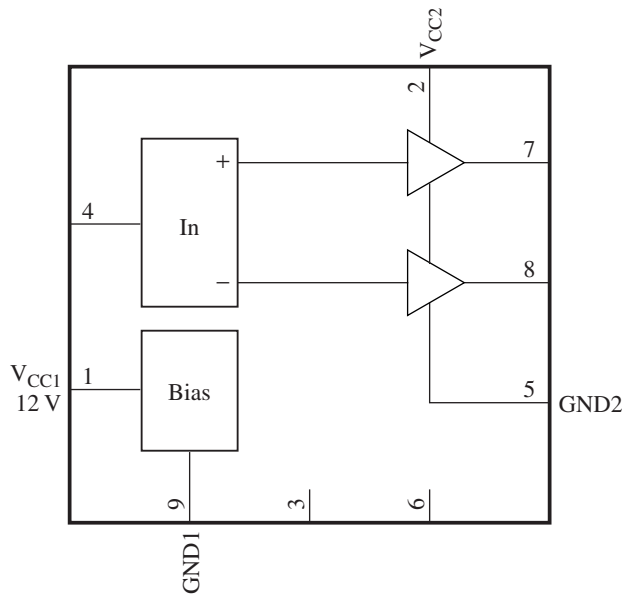
■ Features

- DC control input: 0 V to 5 V
- Output dynamic range: 1.2 V to 3.8 V
- Maximum output current: ± 250 mA

■ Applications

- CRT monitors

■ Block Diagram



Note) The package of this product will be changed to lead-free type (HSIP009-P-0000E). See the new package dimensions section later of this datasheet.

■ Pin Descriptions

Pin No.	Description
1	Supply voltage 12 V (V_{CC1})
2	Output block supply voltage 7 V (V_{CC2}), Protective resistor is needed.
3	N.C.
4	TILT control input
5	Output block GND (GND2)
6	N.C.
7	TILT positive output
8	TILT negative output
9	GND (GND1)

■ Absolute Maximum Ratings

Parameter	Symbol	Rating	Unit
Supply voltage	V_{CC1}	13.5	V
	V_{CC2}	11.05	
Supply current	I_{CC1}	26	mA
	I_{CC2}	250	
Power dissipation *2	P_D	1 128	mW
Operating ambient temperature *1	T_{opr}	-25 to +75	°C
Storage temperature *1	T_{stg}	-55 to +150	°C

Note) 1. *1: Except for the operating ambient temperature and storage temperature, all ratings are for $T_a = 25^\circ\text{C}$.

*2: The power dissipation shown is for the IC package at $T_a = 75^\circ\text{C}$.

2. Pay attention to an electrostatic breakdown for pin 1.

3. Observe the following sequence of the supply power start-up:

- Turn-on sequence First: Pin 2 on (7 V) power supply
 Second: Pin 1 on (12 V) power supply
- Turn-off sequence First: Pin 1 off (12 V) power supply
 Second: Pin 2 off (7 V) power supply

■ Recommended Operating Range

Parameter	Symbol	Range	Unit
Supply voltage	V_{CC1}	10.8 to 13.2	V
	V_{CC2}	6.0 to 9.0	

■ Electrical Characteristics at $T_a = 25^\circ\text{C}$


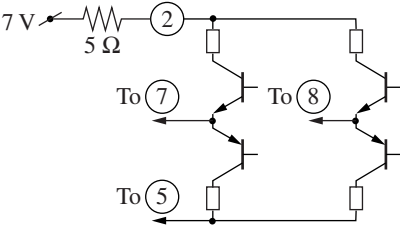
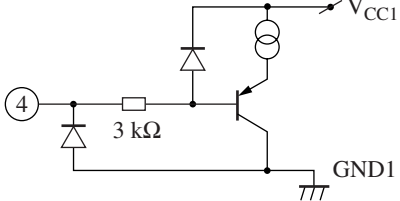
Parameter	Symbol	Conditions	Min	Typ	Max	Unit
Circuit current 1	I_{CC1}	$V_{CC1} = 12\text{ V}$, $V_{CC2} = 7\text{ V}$	16	20.5	25	mA
Circuit current 2	I_{CC2}	$V_{CC1} = 12\text{ V}$, $V_{CC2} = 7\text{ V}$	—	0	1	mA
Circuit voltage 7	V_{7-5}	$V_{CC1} = 12\text{ V}$, $V_{CC2} = 7\text{ V}$	2.8	3.0	3.2	V
Circuit voltage 8	V_{8-5}	$V_{CC1} = 12\text{ V}$, $V_{CC2} = 7\text{ V}$	2.8	3.0	3.2	V
TILT output voltage 1	E_{T1}	$V_7 - V_8$ at $V_4 = 2.5\text{ V}$	-0.15	0	+0.15	V
TILT output voltage 2	E_{T2}	$V_7 - V_8$ at $V_4 = 5\text{ V}$	+2.3	+2.5	+2.7	V
TILT output voltage 3	E_{T3}	$V_7 - V_8$ at $V_4 = 0\text{ V}$	-2.7	-2.5	-2.3	V

• Design reference data

Note) The characteristics listed below are theoretical values based on the IC design and are not guaranteed.

Parameter	Symbol	Conditions	Min	Typ	Max	Unit
High-level TILT output fluctuation with supply voltage	ΔE_{TVCCH}	ΔE when varying $V_{CC1} = 12\text{ V} \rightarrow 13.2\text{ V}$ and $V_{CC2} = 7\text{ V} \rightarrow 9\text{ V}$	-0.1	—	+0.1	V
Low-level TILT output fluctuation with supply voltage	ΔE_{TVCCL}	ΔE when varying $V_{CC1} = 12\text{ V} \rightarrow 10.8\text{ V}$ and $V_{CC2} = 7\text{ V} \rightarrow 6\text{ V}$	-0.1	—	+0.1	V
TILT output fluctuation with temperature	$\Delta E_{T/Ta}$	ΔE when varying $T_a = 25^\circ\text{C} \rightarrow 70^\circ\text{C}$ and $T_a = +25^\circ\text{C} \rightarrow -20^\circ\text{C}$	-0.1	—	+0.1	V

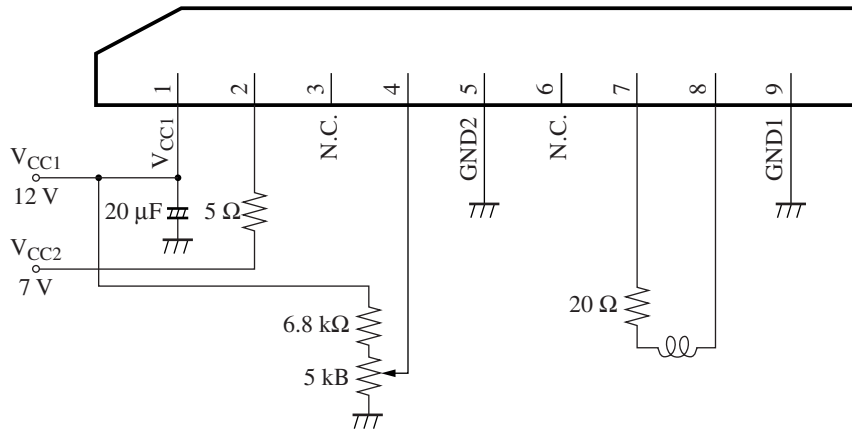
■ Terminal Equivalent Circuits

Pin No.	Equivalent circuit	Description	DC voltage (V)
1		Supply voltage 12 V (V_{CC1}): Supply voltage pin Apply DC 12 V.	12
2		Output block supply voltage 7 V (V_{CC2}): TILT output supply voltage pin Apply DC 7 V via a protection resistor.	7
3	—	N.C.	—
4		TILT control input: TILT control input pin Apply DC 0 V to 5 V. (typ. = 2.5 V)	—

■ Terminal Equivalent Circuits (continued)

Pin No.	Equivalent circuit	Description	DC voltage (V)
5		GND2: Grounding pin of TILT output block	0
6	—	N.C.	—
7		TILT positive output: TILT positive output pin Outputs in the same polarity as pin 4.	1.7 to 4.2
8		TILT negative output: TILT negative output pin Outputs in the polarity opposite to pin 4.	1.7 to 4.2
9		GND1: 12 V-system grounding pin	0

■ Application Circuit Example

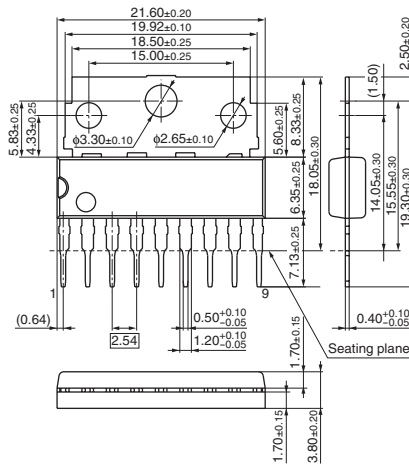


• Recommended application conditions

Parameter	Symbol	Range	Unit
TILT control input	V_{4-9}	0 to 6	V
TILT positive output	I_7	-150 to +150	mA
TILT negative output	I_8	-150 to +150	mA
Peak current	I_{7P}	-0.7 to +0.7	A
	I_{8P}	-0.7 to +0.7	

■ New Package Dimensions (Unit: mm)

• HSIP009-P-0000E (Lead-free package)



Request for your special attention and precautions in using the technical information and semiconductors described in this material

- (1) An export permit needs to be obtained from the competent authorities of the Japanese Government if any of the products or technologies described in this material and controlled under the "Foreign Exchange and Foreign Trade Law" is to be exported or taken out of Japan.
- (2) The technical information described in this material is limited to showing representative characteristics and applied circuit examples of the products. It does not constitute the warranting of industrial property, the granting of relative rights, or the granting of any license.
- (3) The products described in this material are intended to be used for standard applications or general electronic equipment (such as office equipment, communications equipment, measuring instruments and household appliances).
Consult our sales staff in advance for information on the following applications:
 - Special applications (such as for airplanes, aerospace, automobiles, traffic control equipment, combustion equipment, life support systems and safety devices) in which exceptional quality and reliability are required, or if the failure or malfunction of the products may directly jeopardize life or harm the human body.
 - Any applications other than the standard applications intended.
- (4) The products and product specifications described in this material are subject to change without notice for reasons of modification and/or improvement. At the final stage of your design, purchasing, or use of the products, therefore, ask for the most up-to-date Product Standards in advance to make sure that the latest specifications satisfy your requirements.
- (5) When designing your equipment, comply with the guaranteed values, in particular those of maximum rating, the range of operating power supply voltage and heat radiation characteristics. Otherwise, we will not be liable for any defect which may arise later in your equipment.
Even when the products are used within the guaranteed values, redundant design is recommended, so that such equipment may not violate relevant laws or regulations because of the function of our products.
- (6) When using products for which dry packing is required, observe the conditions (including shelf life and after-unpacking standby time) agreed upon when specification sheets are individually exchanged.
- (7) No part of this material may be reprinted or reproduced by any means without written permission from our company.

Please read the following notes before using the datasheets

- A. These materials are intended as a reference to assist customers with the selection of Panasonic semiconductor products best suited to their applications.
Due to modification or other reasons, any information contained in this material, such as available product types, technical data, and so on, is subject to change without notice.
Customers are advised to contact our semiconductor sales office and obtain the latest information before starting precise technical research and/or purchasing activities.
- B. Panasonic is endeavoring to continually improve the quality and reliability of these materials but there is always the possibility that further rectifications will be required in the future. Therefore, Panasonic will not assume any liability for any damages arising from any errors etc. that may appear in this material.
- C. These materials are solely intended for a customer's individual use.
Therefore, without the prior written approval of Panasonic, any other use such as reproducing, selling, or distributing this material to a third party, via the Internet or in any other way, is prohibited.



LittleDiode supplies new, hard to find or obsolete electronic components and semiconductors all over the world.

With over two million different components listed you are sure to find the part you need.

Feel free to visit us today at our online store:

LittleDiode.com

Looking forward to providing you with the best possible service.